



(12) **United States Design Patent**
Chou

(10) **Patent No.:** **US D910,443 S**
(45) **Date of Patent:** **** Feb. 16, 2021**

(54) **DRINK-THROUGH CUP LID**
(71) Applicant: **Jonathan Chou**, Valley Stream, NY (US)
(72) Inventor: **Jonathan Chou**, Valley Stream, NY (US)
(**) Term: **15 Years**
(21) Appl. No.: **29/661,434**
(22) Filed: **Aug. 28, 2018**
(30) **Foreign Application Priority Data**

Jul. 20, 2018 (TW) 107304198
(51) **LOC (13) Cl.** **09-07**
(52) **U.S. Cl.**
USPC **D9/447**

(58) **Field of Classification Search**
USPC D9/434, 435, 436, 439, 440, 447, 448, D9/453, 723, 724, 727, 726, 695, 696, D9/707, 708, 712; D7/387, 391, 392, D7/392.1, 396.1, 396.2, 397, 398, 401.1, D7/415; D4/114, 115; D26/9, 10, 22, D26/23; D24/111, 112, 119, 127, 130, D24/141, 169, 193, 194, 196, 197, 199, D24/222, 224; D19/115, 192, 194; D23/213, 226, 249, 255; D27/194
CPC B65D 47/103; B65D 43/0222; B65D 2543/00046; B65D 2543/00092; B65D 25/48; A47G 19/2272; B65B 1/04; B65B 29/06; B05B 11/3059; B05B 11/0027; B05B 11/0032; B05B 11/3004; B05B 11/3015; B05B 11/306; B05B 11/3064; G03B 11/041; F16M 11/08; A61J 1/06; A61J 1/065; A61J 1/2093; A61J 1/201
See application file for complete search history.

(56) **References Cited**
U.S. PATENT DOCUMENTS

D1,164 S * 11/1859 Leonard D7/401.1
D39,058 S * 2/1908 Ragland D9/439
D102,741 S * 1/1937 Bloomfield D9/447
(Continued)

OTHER PUBLICATIONS

PET Cosmo Bottles: Announced Jul. 28, 2017 [online]. Site Visited [May 4, 2020]. Available from Internet URL: <https://twitter.com/Warehouse1711/status/891074520840384512/photo/1>.*

(Continued)

Primary Examiner — Catherine S Posthauer
(74) *Attorney, Agent, or Firm* — Rosenberg, Klein & Lee

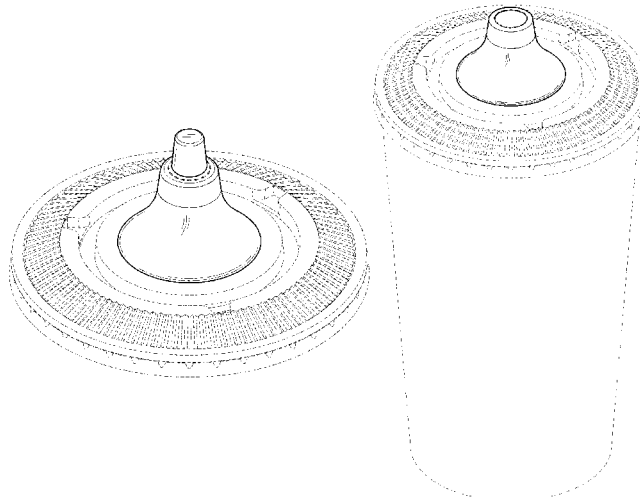
(57) **CLAIM**

The ornamental design for a drink-through cup lid, as shown and described.

DESCRIPTION

FIG. 1 is a perspective view of a drink-through cup lid showing my new design;
FIG. 2 is a front elevation view thereof, a rear elevation view, a left side elevation view and a right side elevation view being identical;
FIG. 3 is a top plan view thereof;
FIG. 4 is a bottom plan view thereof;
FIG. 5 is a sectional view thereof, taken along line 5-5 of FIG. 3;
FIG. 6 is a perspective view thereof, shown in an environment of use with an exemplary cup;
FIG. 7 is another perspective view thereof, shown with the top of the lid partially opened; and,
FIG. 8 is a perspective view thereof, shown with the top of the lid removed.
The broken lines are shown for the purpose of illustrating parts of the article that form no part of the claim as well as environmental subject matter of an exemplary cup. None of the broken lines form part of the claimed design.

1 Claim, 8 Drawing Sheets



(56)

References Cited

U.S. PATENT DOCUMENTS

D172,777 S * 8/1954 Bernabo D9/447
 D178,638 S * 9/1956 Chakine D23/213
 D202,228 S * 9/1965 Vuillemenot D9/447
 D215,092 S * 9/1969 Vicknair D23/213
 D223,339 S * 4/1972 Marg D9/436
 D264,941 S * 6/1982 Stock D24/115
 D271,798 S * 12/1983 Araujo, Jr. D24/196
 D295,380 S * 4/1988 Virag D9/447
 D308,724 S * 6/1990 Ennis, III D24/112
 D339,197 S * 9/1993 Ziegler D24/196
 D356,853 S * 3/1995 Fowler D23/213
 D360,468 S * 7/1995 Fuller D24/196
 D369,648 S * 5/1996 Fowler D23/213
 D379,304 S * 5/1997 Bova D9/447
 D390,462 S * 2/1998 Mao D9/435
 D421,306 S * 2/2000 Meyers D24/197
 D474,263 S * 5/2003 Wales D23/249
 D584,151 S * 1/2009 Murphy D9/447
 D615,399 S * 5/2010 Bran D9/436
 D639,969 S * 6/2011 Pukall D24/196

D651,322 S * 12/2011 Svard D24/224
 D684,267 S * 6/2013 Smith D24/196
 D691,040 S * 10/2013 Wade D9/440
 D735,787 S * 8/2015 Hassan D15/144
 D790,341 S * 6/2017 Ross D9/447
 D809,386 S * 2/2018 Roy D9/447
 D809,389 S * 2/2018 Royer D9/454
 D818,823 S * 5/2018 Blachford D9/447
 D852,042 S * 6/2019 Dahbura D9/503
 2007/0017890 A1 * 1/2007 Al-Jadh A61J 9/00
 215/11.1
 2015/0313389 A1 * 11/2015 Velasquez A45F 3/20
 220/8

OTHER PUBLICATIONS

Black PET Cosmo Plastic Bottle: Announced Sep. 19, 2016 [online].
 Site Visited [May 4, 2020]. Available from Internet URL: https://www.amazon.com/Plastic-Squeeze-Dispenser-Grand-Parfums/dp/B01FKK1NC8/ref=cm_cr_ar_p_d_product_top?ie=UTF8.*

* cited by examiner

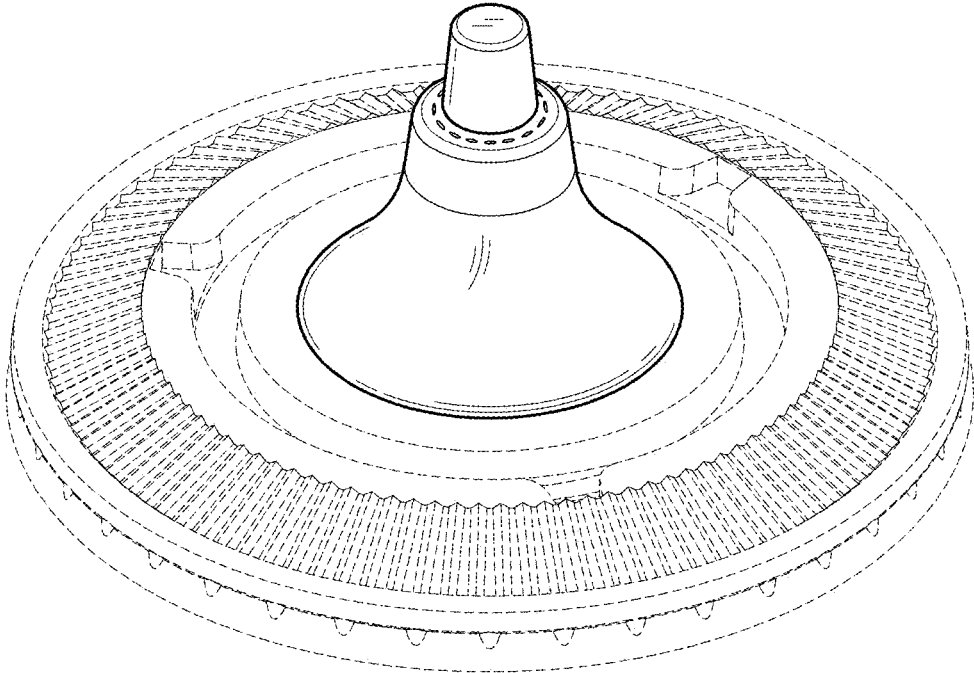


FIG.1

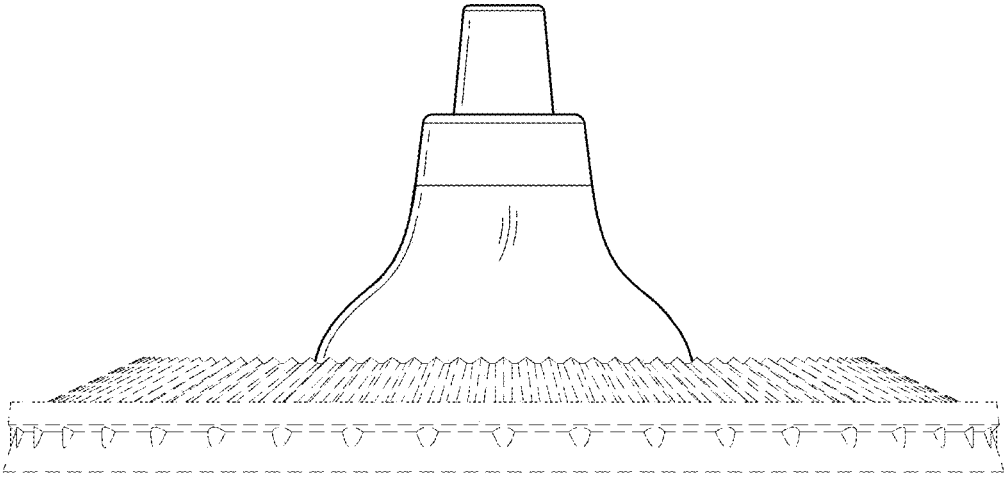


FIG.2

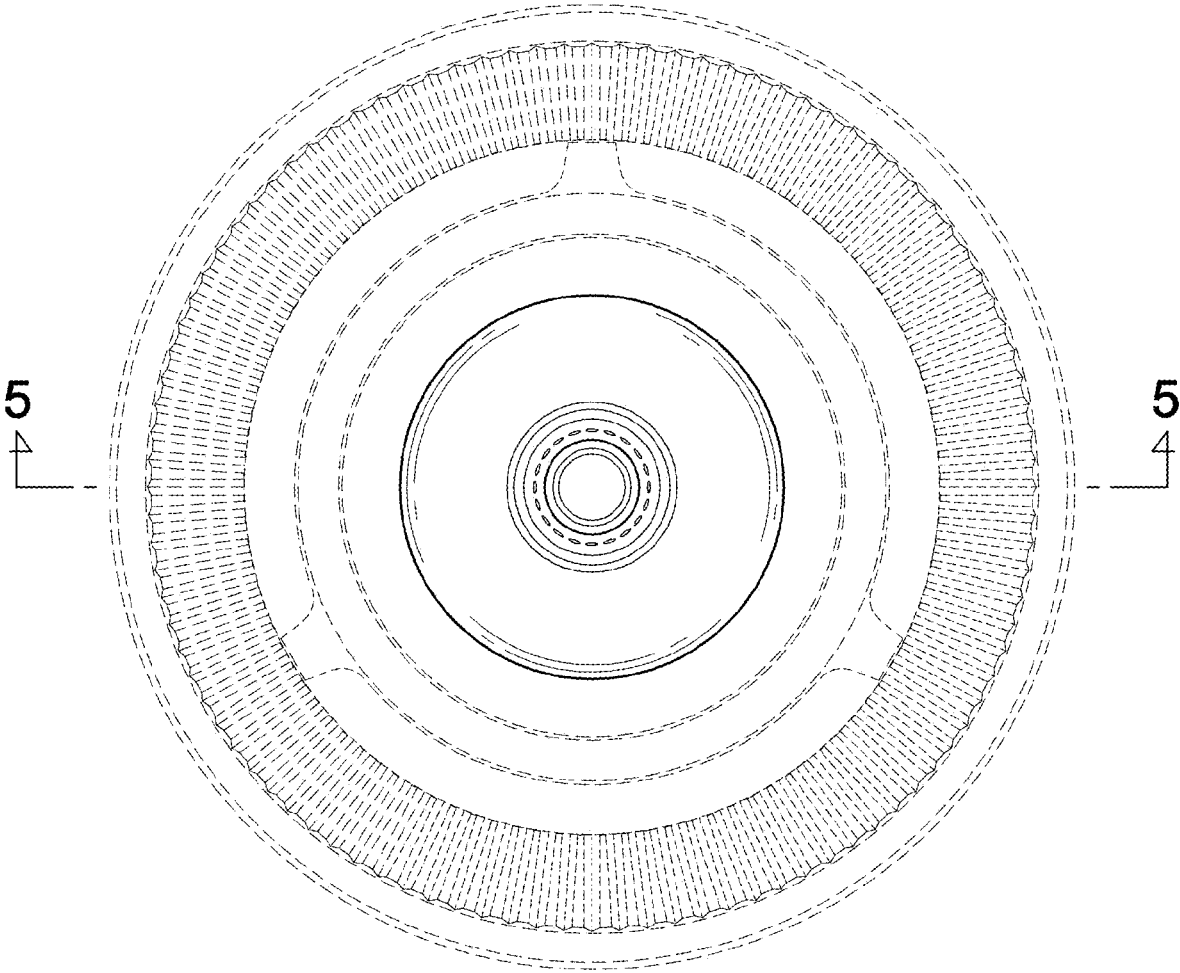


FIG.3

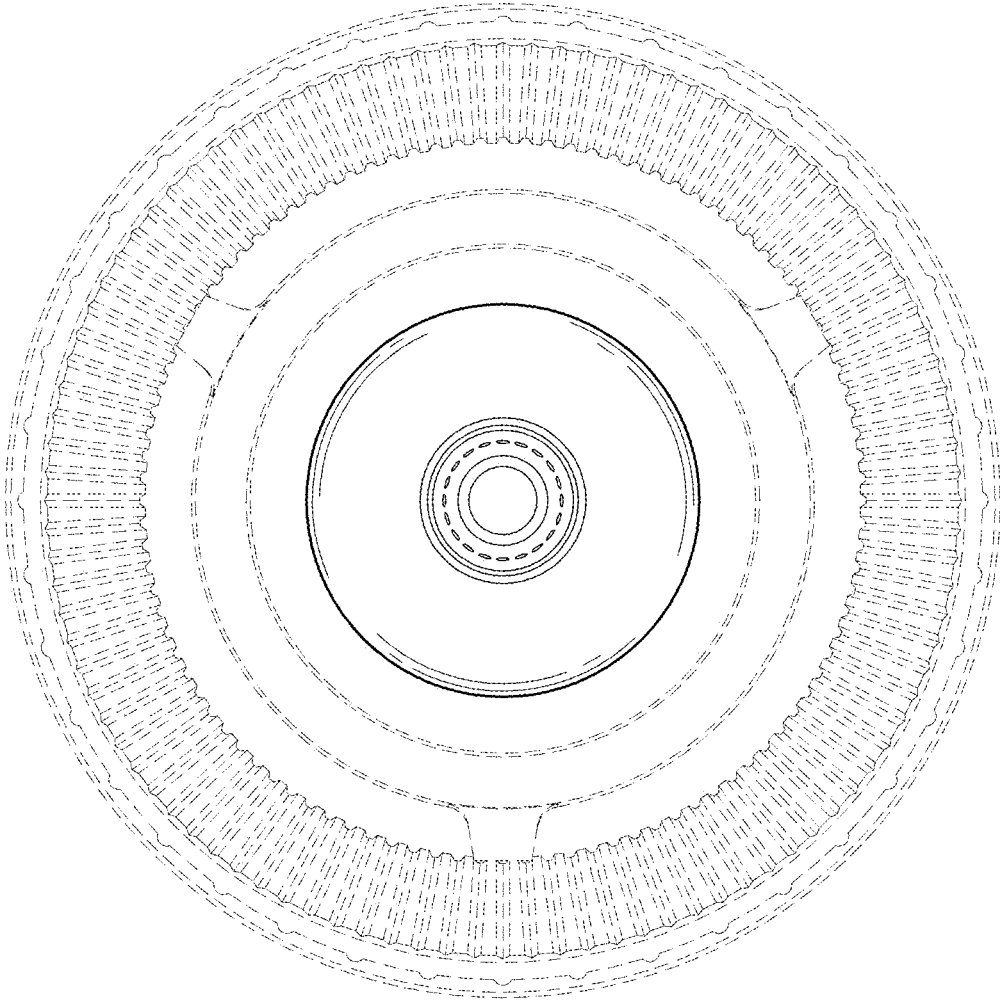


FIG.4

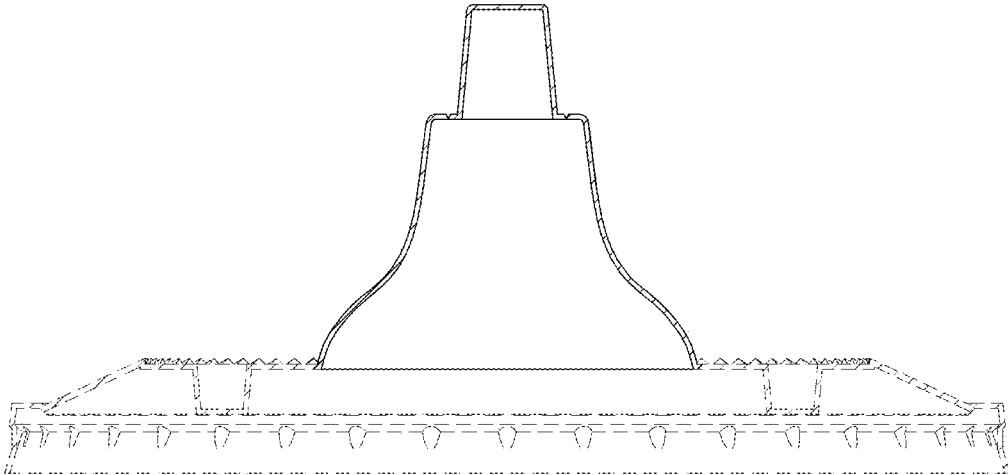


FIG.5

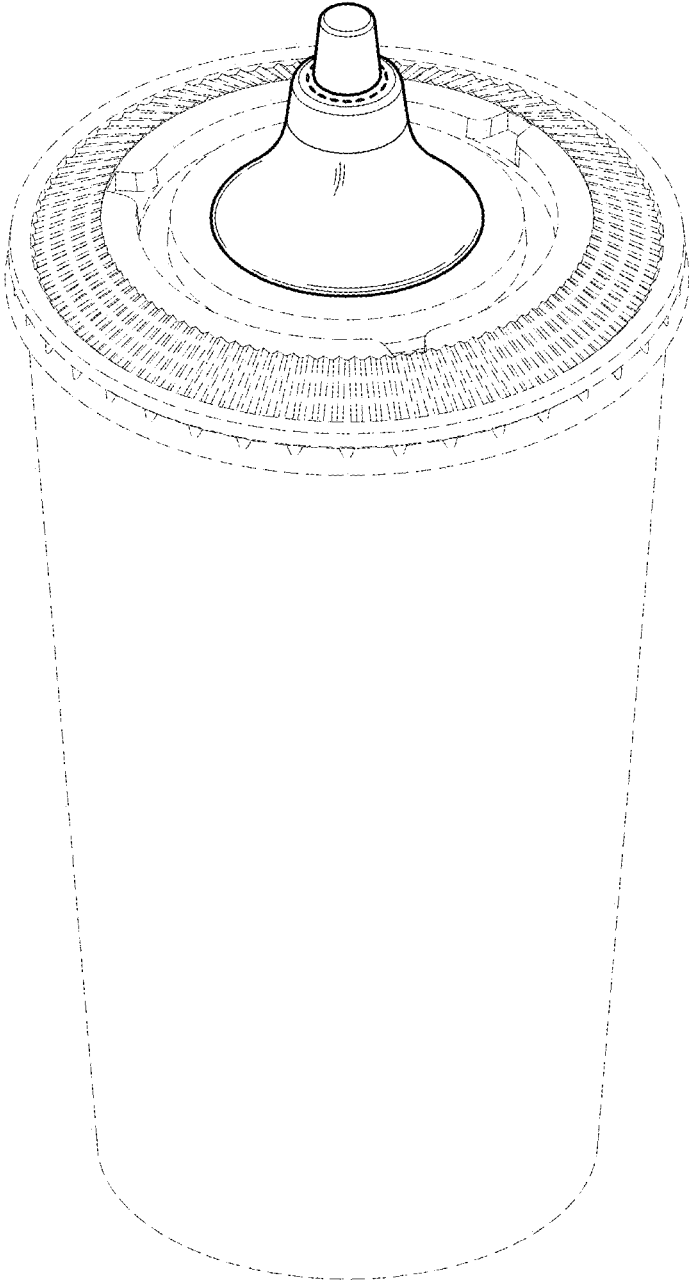


FIG.6

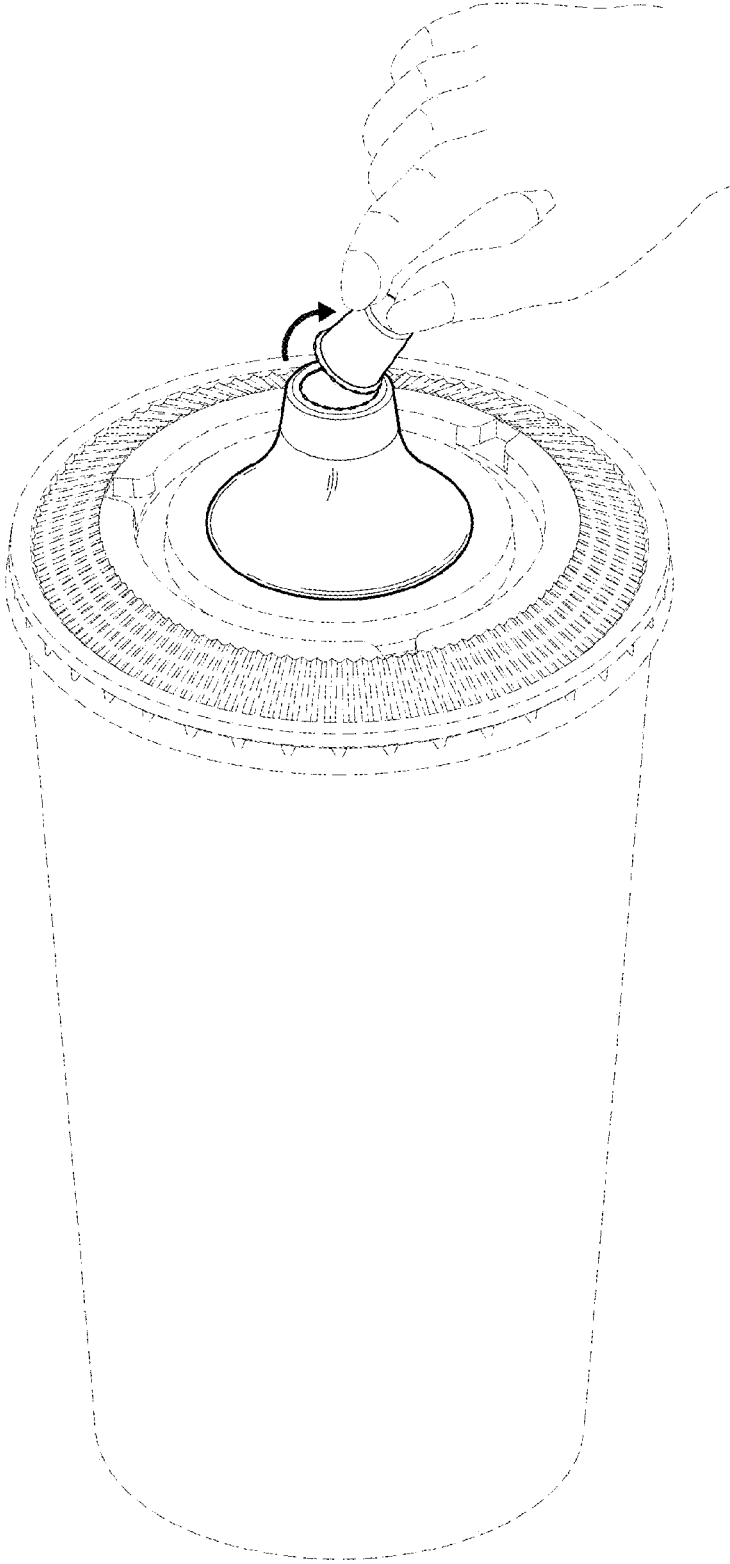


FIG.7

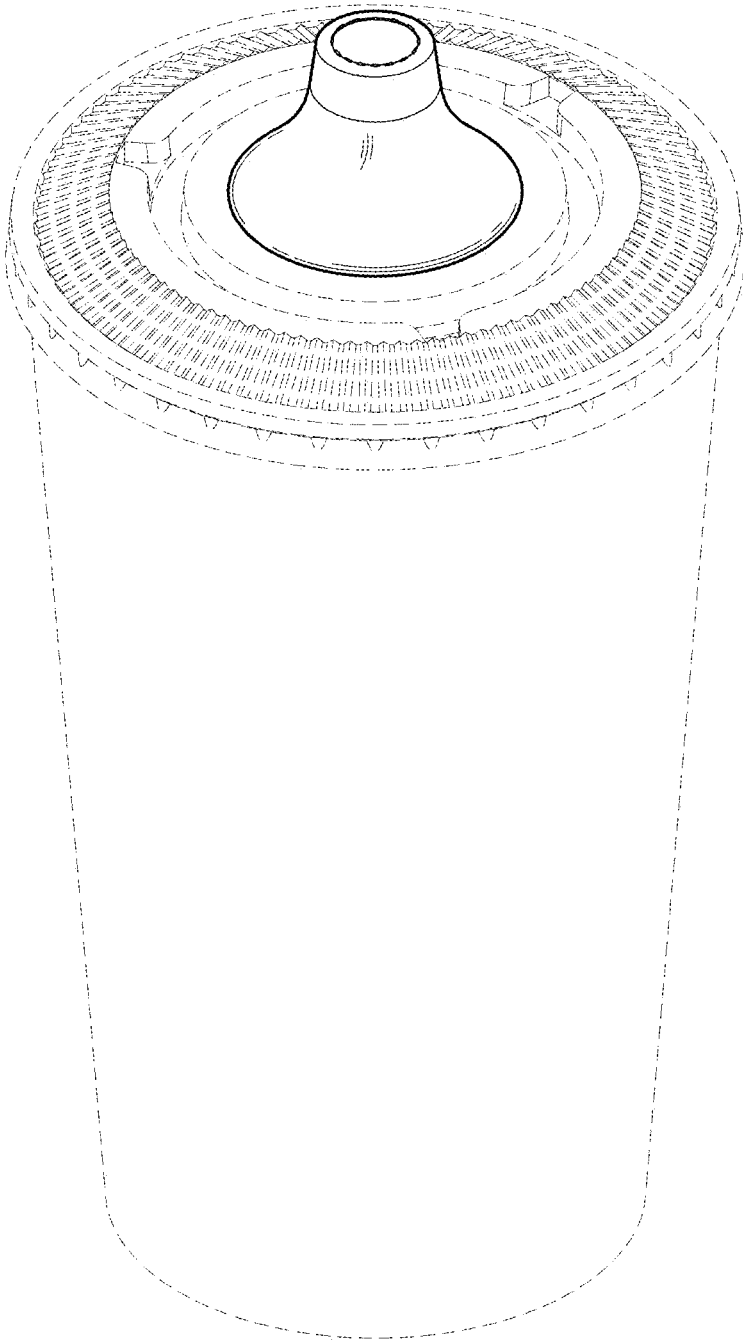


FIG.8