



(12) **United States Design Patent**
Andersson et al.

(10) **Patent No.:** **US D994,223 S**
(45) **Date of Patent:** **** Aug. 1, 2023**

(54) **SHAVER**

Primary Examiner — Jennifer Rivard

(71) Applicant: **KONINKLIJKE PHILIPS N.V.**,
Eindhoven (NL)

(57) **CLAIM**

The ornamental design for a shaver, as shown and described.

(72) Inventors: **Jens Peter Kophmann Andersson**,
Amsterdam (NL); **Seth Peter Malkin Frankel**,
Amsterdam (NL)

DESCRIPTION

(73) Assignee: **KONINKLIJKE PHILIPS N.V.**,
Eindhoven (NL)

FIG. 1 is a perspective view showing the first embodiment of a shaver, according to our design;
FIG. 2 is a front elevational view thereof;
FIG. 3 is a rear elevational view thereof;
FIG. 4 is a right side elevational view thereof;
FIG. 5 is a left side elevational view thereof;
FIG. 6 is a top plan view thereof;
FIG. 7 is a bottom plan view thereof;
FIG. 8 is a perspective view showing the second embodiment of a shaver, according to our design;
FIG. 9 is a front elevational view thereof;
FIG. 10 is a rear elevational view thereof;
FIG. 11 is a right side elevational view thereof;
FIG. 12 is a left side elevational view thereof;
FIG. 13 is a top plan view thereof;
FIG. 14 is a bottom plan view thereof.
FIG. 15 is a perspective view showing the third embodiment of a shaver, according to our design;
FIG. 16 is a front elevational view thereof;
FIG. 17 is a rear elevational view thereof;
FIG. 18 is a right side elevational view thereof;
FIG. 19 is a left side elevational view thereof;
FIG. 20 is a top plan view thereof;
FIG. 21 is a bottom plan view thereof;
FIG. 22 is a perspective view showing the fourth embodiment of a shaver, according to our design;
FIG. 23 is a front elevational view thereof;
FIG. 24 is a rear elevational view thereof;
FIG. 25 is a right side elevational view thereof;
FIG. 26 is a left side elevational view thereof;
FIG. 27 is a top plan view thereof;
FIG. 28 is a bottom plan view thereof;
FIG. 29 is a perspective view showing the fifth embodiment of a shaver, according to our design;
FIG. 30 is a front elevational view thereof;
FIG. 31 is a rear elevational view thereof;

(Continued)

(**) Term: **15 Years**

(21) Appl. No.: **29/766,241**

(22) Filed: **Jan. 14, 2021**

Related U.S. Application Data

(63) Continuation of application No. 29/661,101, filed on Aug. 24, 2018, now Pat. No. Des. 912,902.

(30) **Foreign Application Priority Data**

Feb. 27, 2018 (EM) 004728061

(51) **LOC (14) Cl.** **28-03**

(52) **U.S. Cl.**
USPC **D28/50**

(58) **Field of Classification Search**
USPC D28/50

(Continued)

(56) **References Cited**

U.S. PATENT DOCUMENTS

D703,378 S * 4/2014 Grabes D28/54

D758,017 S * 5/2016 Smith D28/50

(Continued)

FOREIGN PATENT DOCUMENTS

EP 3486047 A1 * 5/2019 B26B 19/14

EP 3643460 A1 * 4/2020

(Continued)

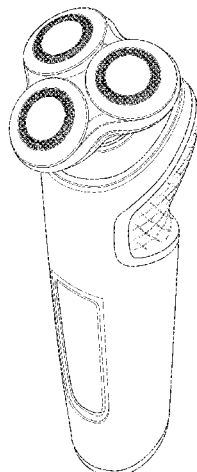


FIG. 32 is a right side elevational view thereof;
 FIG. 33 is a left side elevational view thereof;
 FIG. 34 is a top plan view thereof;
 FIG. 35 is a bottom plan view thereof;
 FIG. 36 is a perspective view showing the sixth embodiment of a shaver, according to our design;
 FIG. 37 is a front elevational view thereof;
 FIG. 38 is a rear elevational view thereof;
 FIG. 39 is a right side elevational view thereof;
 FIG. 40 is a left side elevational view thereof;
 FIG. 41 is a top plan view thereof;
 FIG. 42 is a bottom plan view thereof;
 FIG. 43 is a perspective view showing the seventh embodiment of a shaver, according to our design;
 FIG. 44 is a front elevational view thereof;
 FIG. 45 is a rear elevational view thereof;
 FIG. 46 is a right side elevational view thereof;
 FIG. 47 is a left side elevational view thereof;
 FIG. 48 is a top plan view thereof;
 FIG. 49 is a bottom plan view thereof;
 FIG. 50 is a perspective view showing the eighth embodiment of a shaver, according to our design;
 FIG. 51 is a front elevational view thereof;
 FIG. 52 is a rear elevational view thereof;
 FIG. 53 is a right side elevational view thereof;
 FIG. 54 is a left side elevational view thereof;
 FIG. 55 is a top plan view thereof; and,
 FIG. 56 is a bottom plan view thereof.

The portions of the shaver shown in broken lines are included for the purpose of illustrating unclaimed portions of the shaver and form no part of the claimed design.

1 Claim, 56 Drawing Sheets

(58) **Field of Classification Search**
 CPC B26B 19/00-107; B26B 19/384-3886;
 B26B 19/14-18
 See application file for complete search history.

(56) **References Cited**

U.S. PATENT DOCUMENTS

| | | | | |
|----------|-----|---------|-------------------------------------|--------|
| D758,659 | S * | 6/2016 | Smith | D28/50 |
| D776,348 | S * | 1/2017 | Frankel | D28/50 |
| D777,375 | S * | 1/2017 | Frankel | D28/50 |
| D777,376 | S * | 1/2017 | Frankel | D28/50 |
| D884,972 | S * | 5/2020 | Andersson | D28/50 |
| D889,042 | S * | 6/2020 | Andersson | D28/50 |
| D912,902 | S * | 3/2021 | Andersson | D28/50 |
| D930,243 | S * | 9/2021 | Prat-Pfister | D28/50 |
| D932,698 | S * | 10/2021 | Van Roosmalen | D28/50 |
| D932,699 | S * | 10/2021 | Van Roosmalen | D28/50 |
| D932,700 | S * | 10/2021 | Van Roosmalen | D28/50 |
| D933,298 | S * | 10/2021 | Parambathkandi Abdulhakkim | D28/50 |
| D934,502 | S * | 10/2021 | Van Roosmalen | D28/50 |
| D940,395 | S * | 1/2022 | Prat-Pfister | D28/50 |
| D942,079 | S * | 1/2022 | Prat-Pfister | D28/50 |
| D949,479 | S * | 4/2022 | Van Roosmalen | D28/50 |
| D953,642 | S * | 5/2022 | Van Roosmalen | D28/50 |
| D955,048 | S * | 6/2022 | Van Roosmalen | D28/50 |
| D961,853 | S * | 8/2022 | Van Roosmalen | D28/50 |

FOREIGN PATENT DOCUMENTS

| | | | | | | |
|----|--|---------------|------|---------|-------|-------------|
| EP | | 3643461 | A1 * | 4/2020 | | B26B 19/14 |
| WO | | WO-2014191184 | A1 * | 12/2014 | | B26B 19/388 |

* cited by examiner

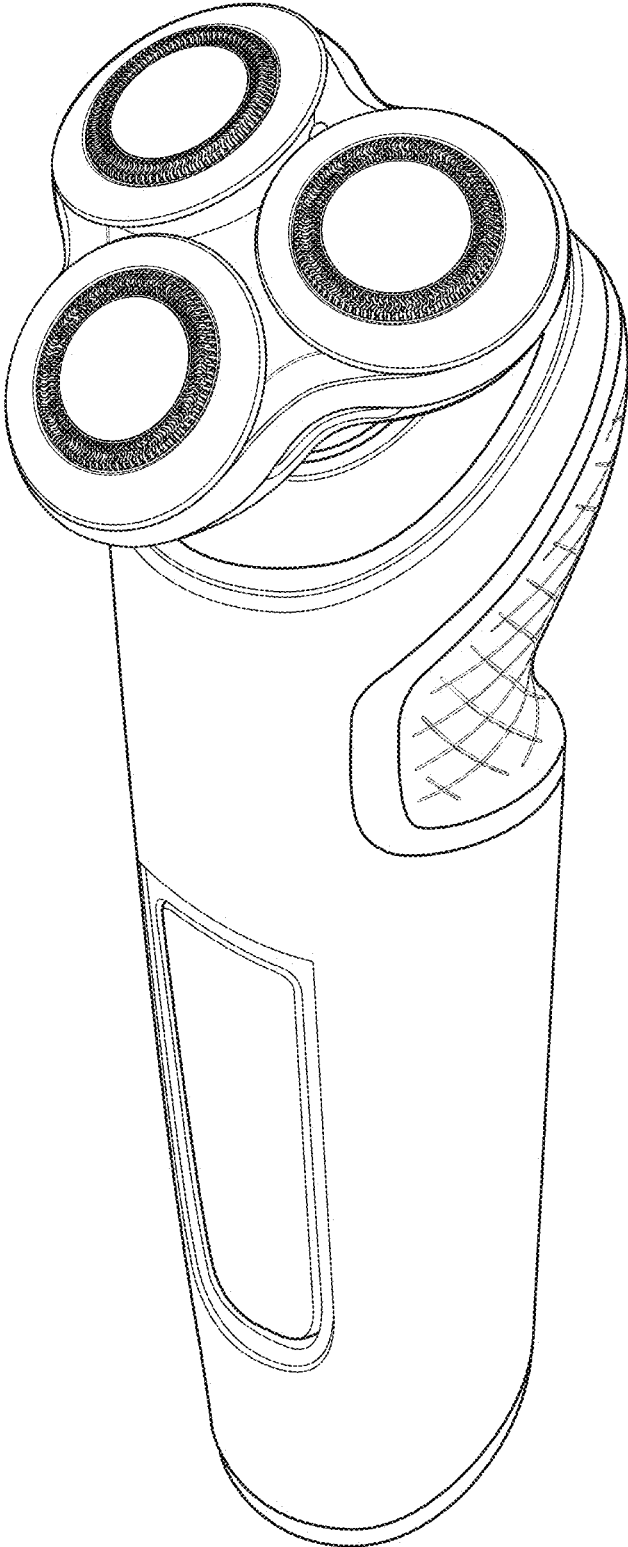


FIG. 1

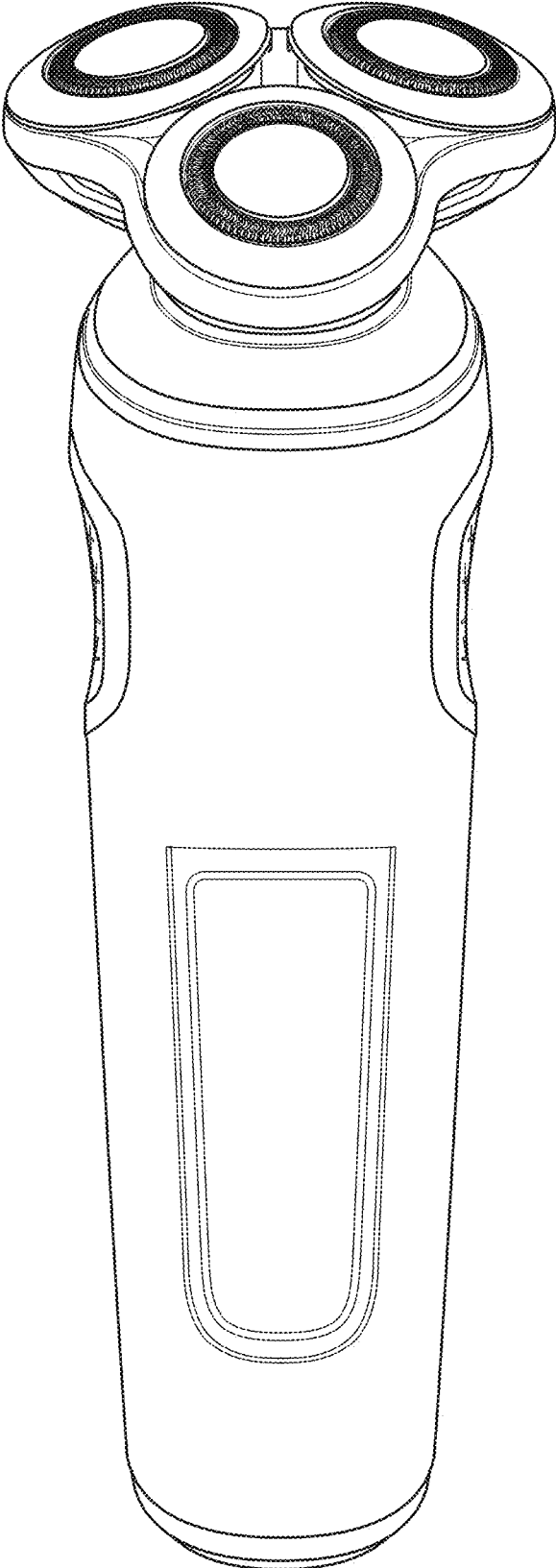


FIG. 2

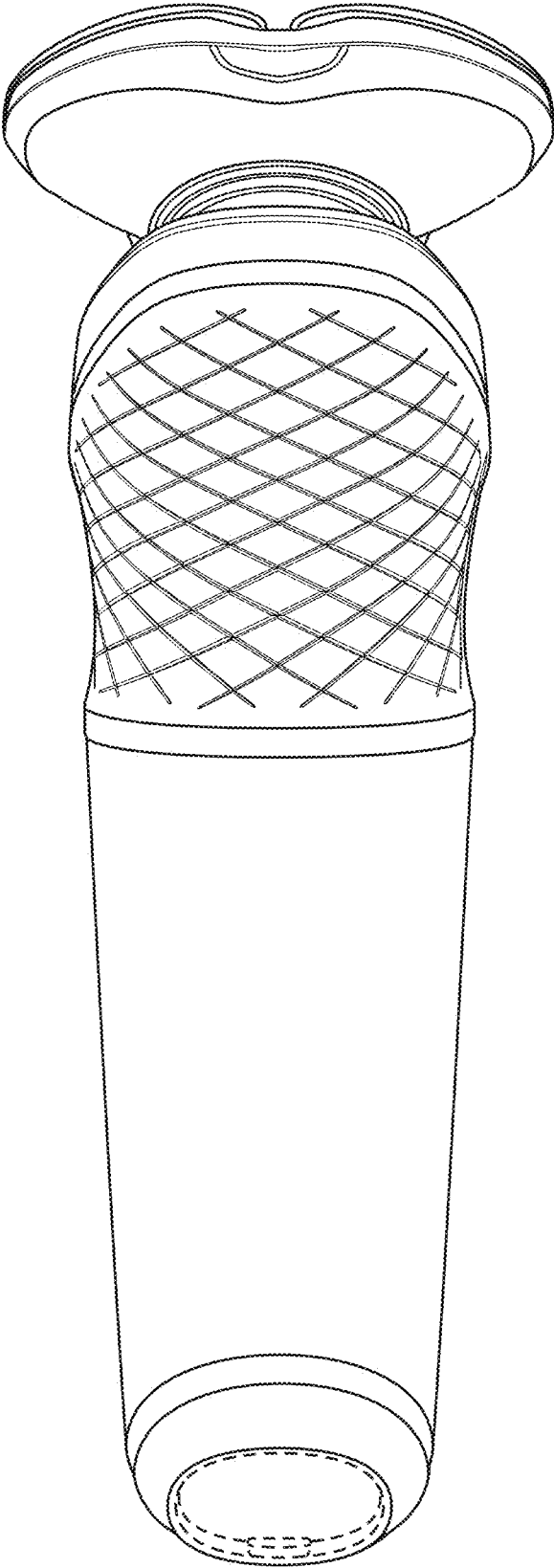


FIG. 3

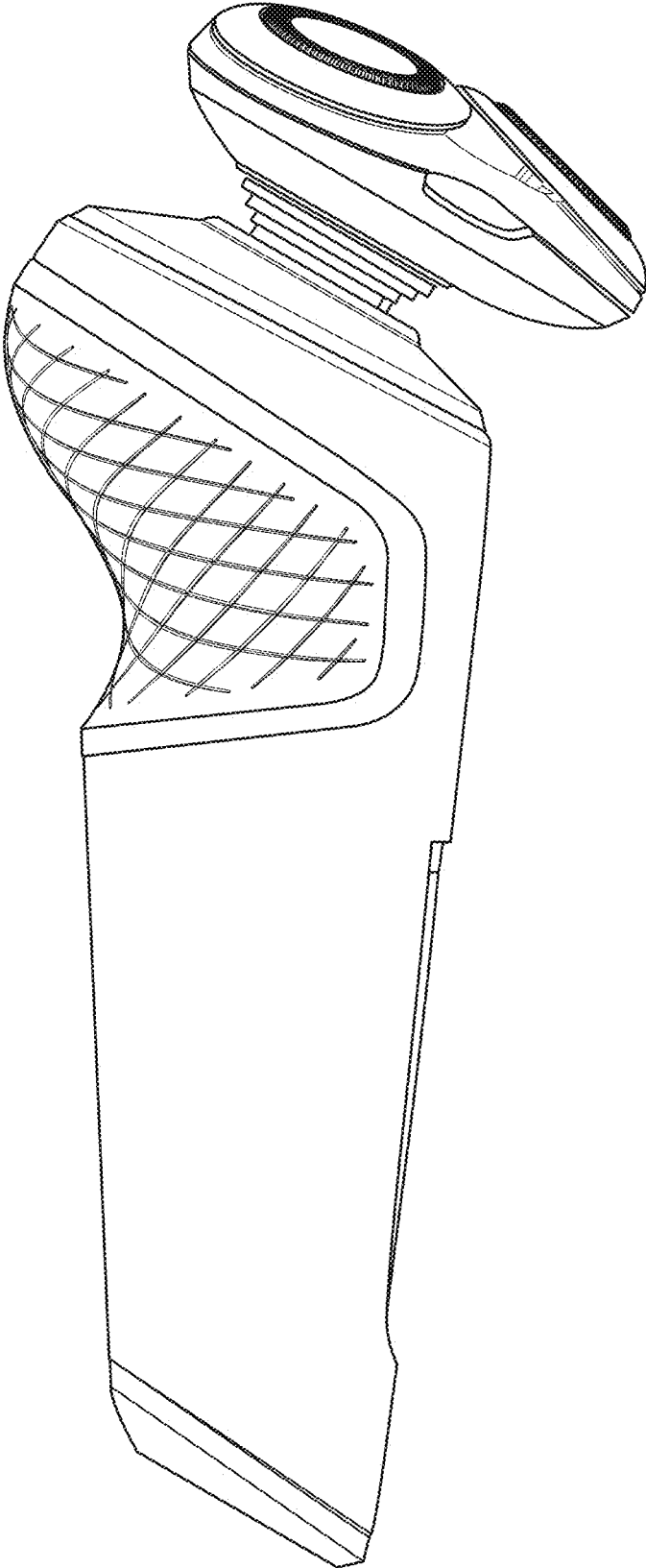


FIG. 4

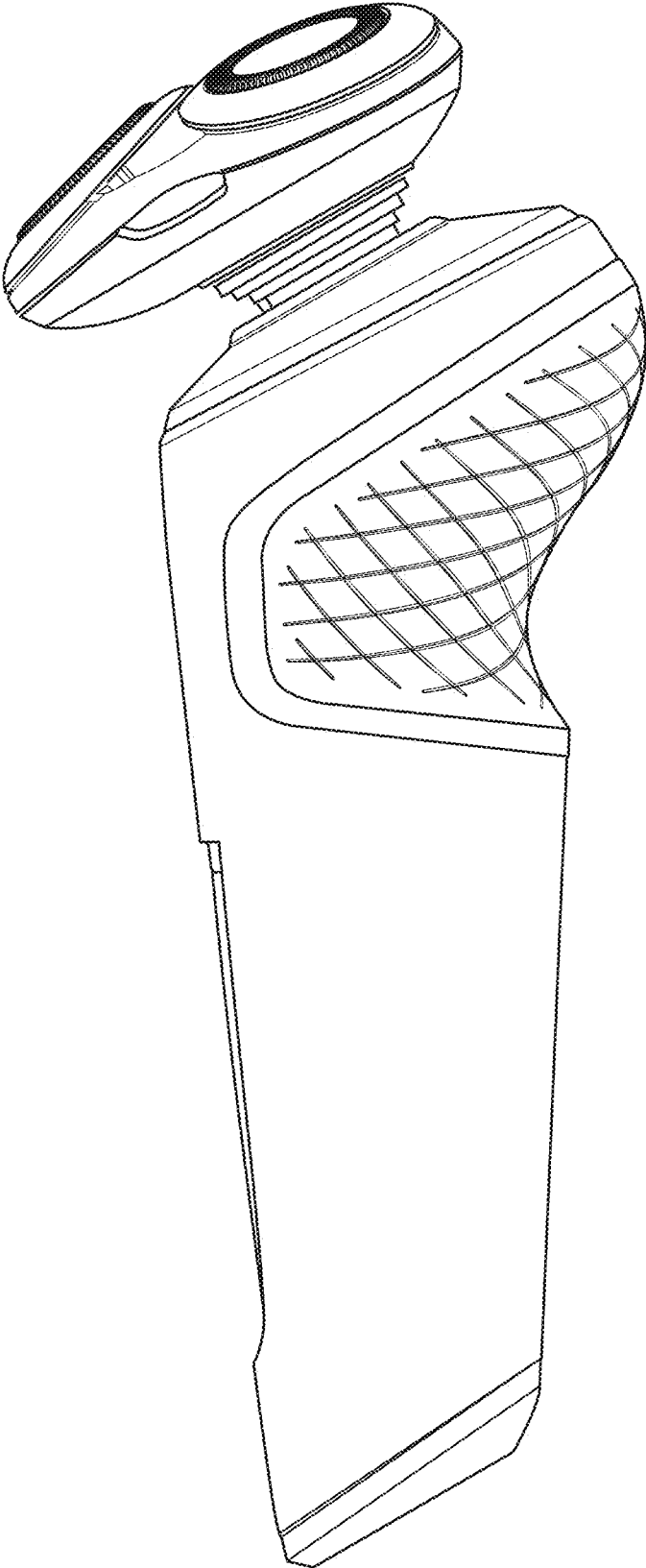


FIG. 5

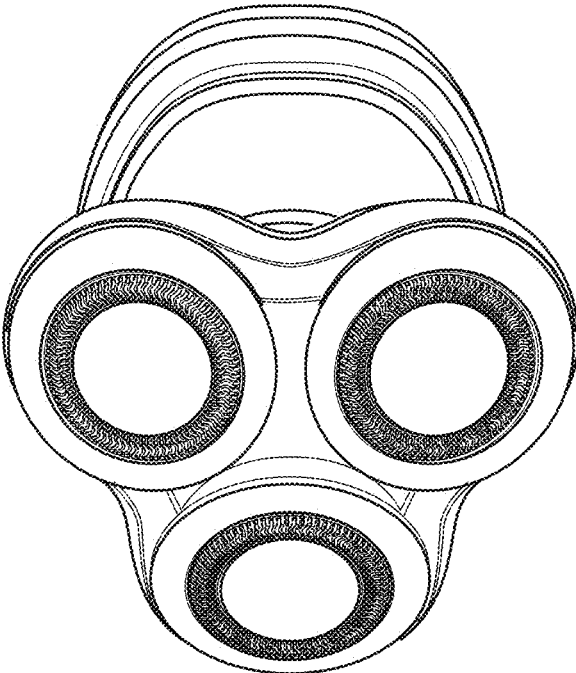


FIG. 6

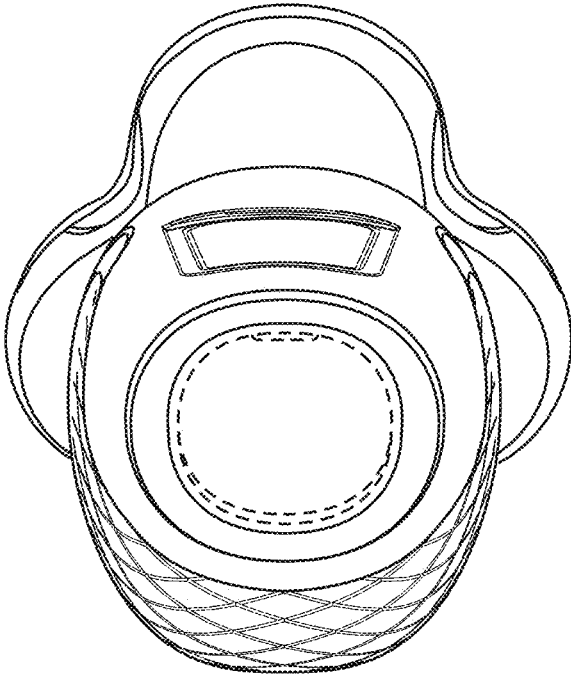


FIG. 7

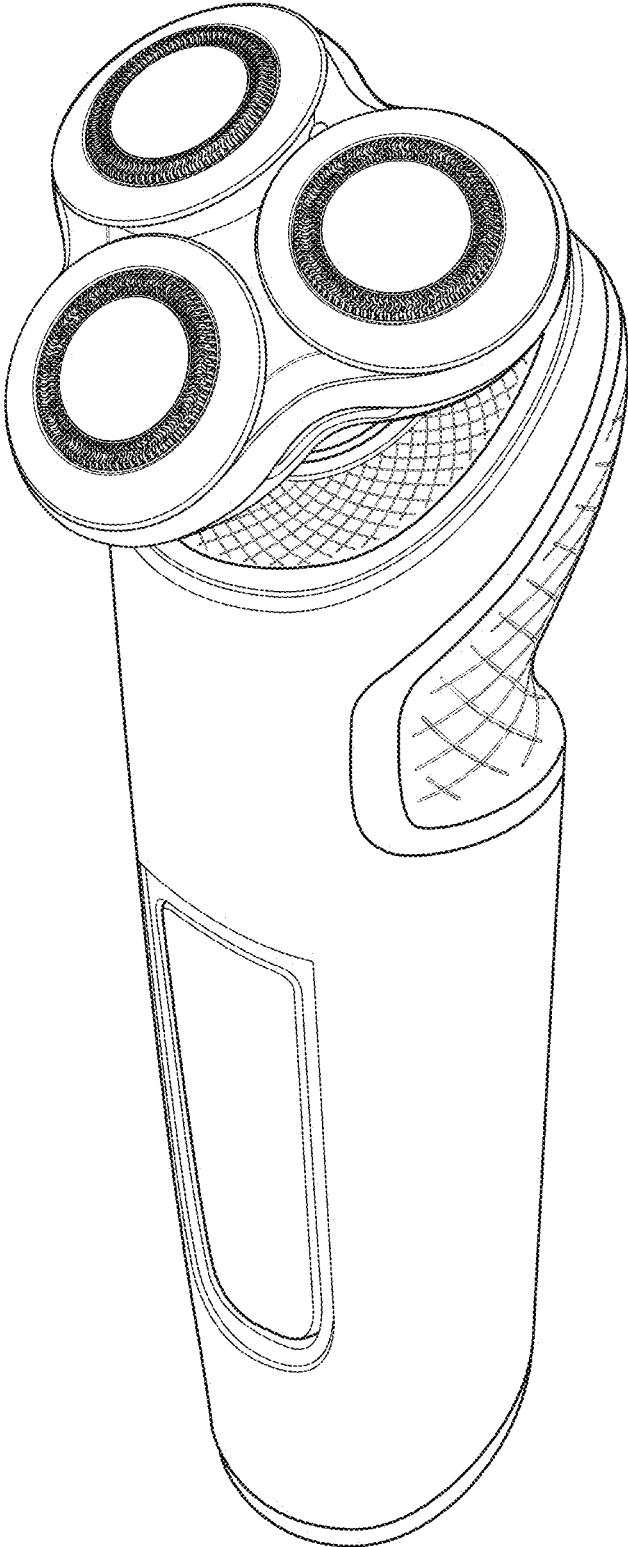


FIG. 8

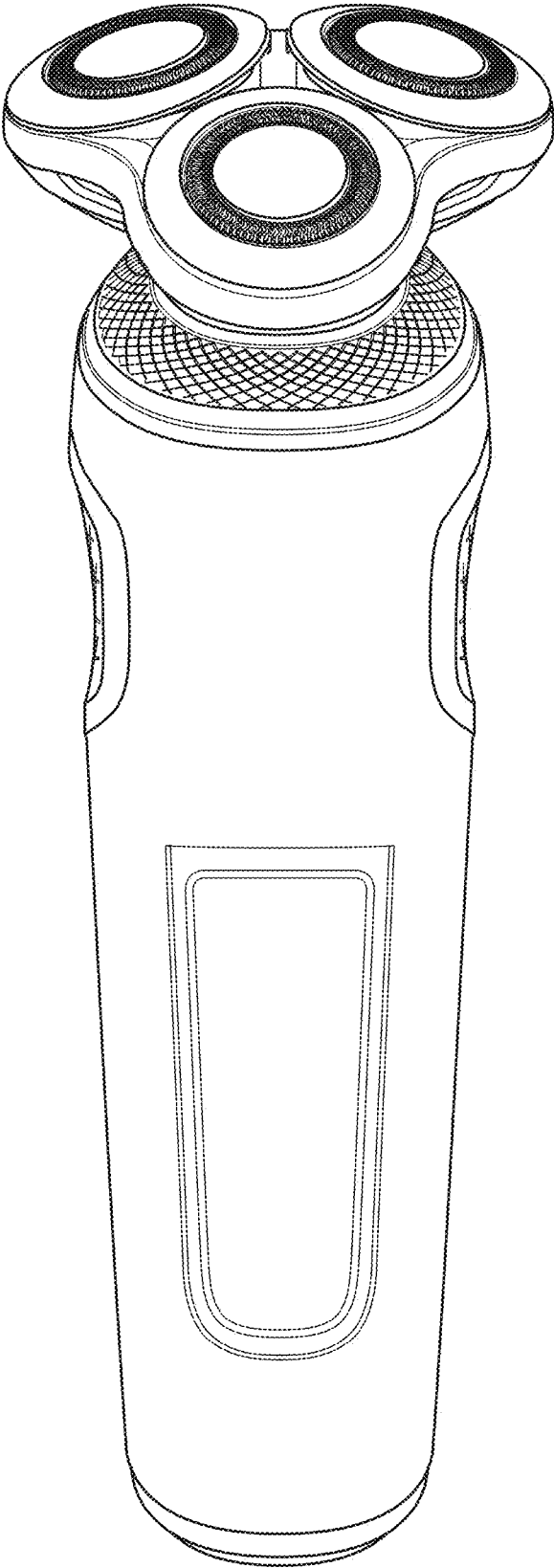


FIG. 9

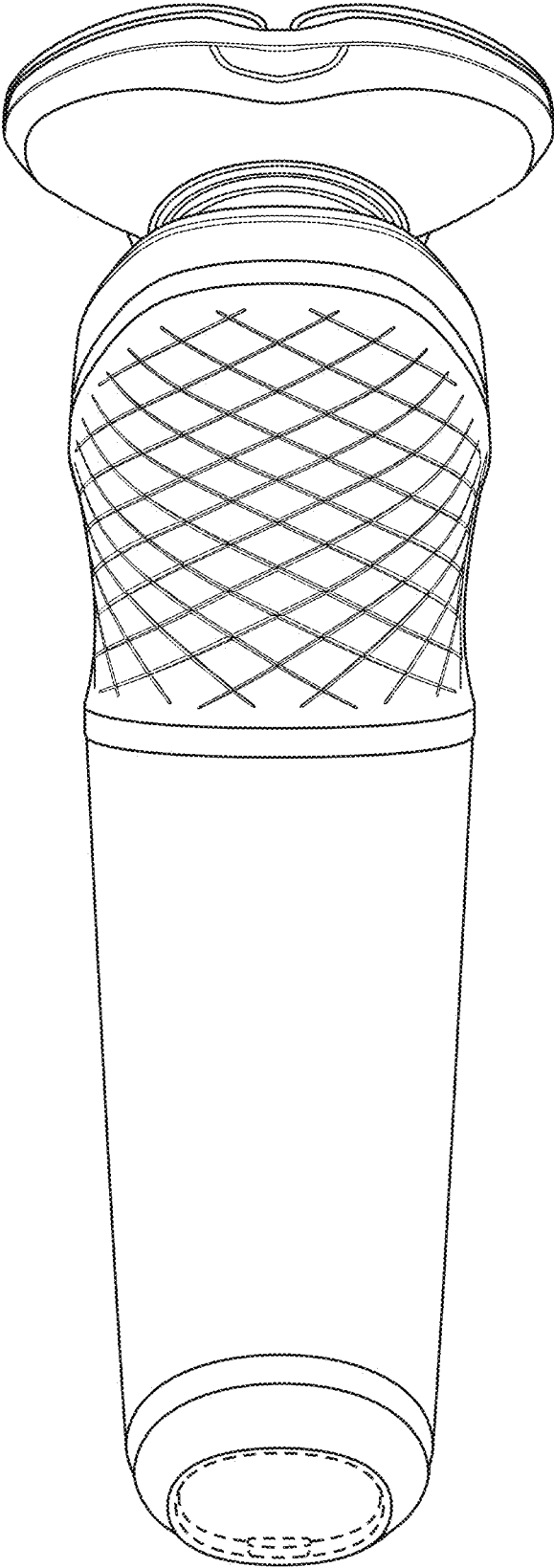


FIG. 10

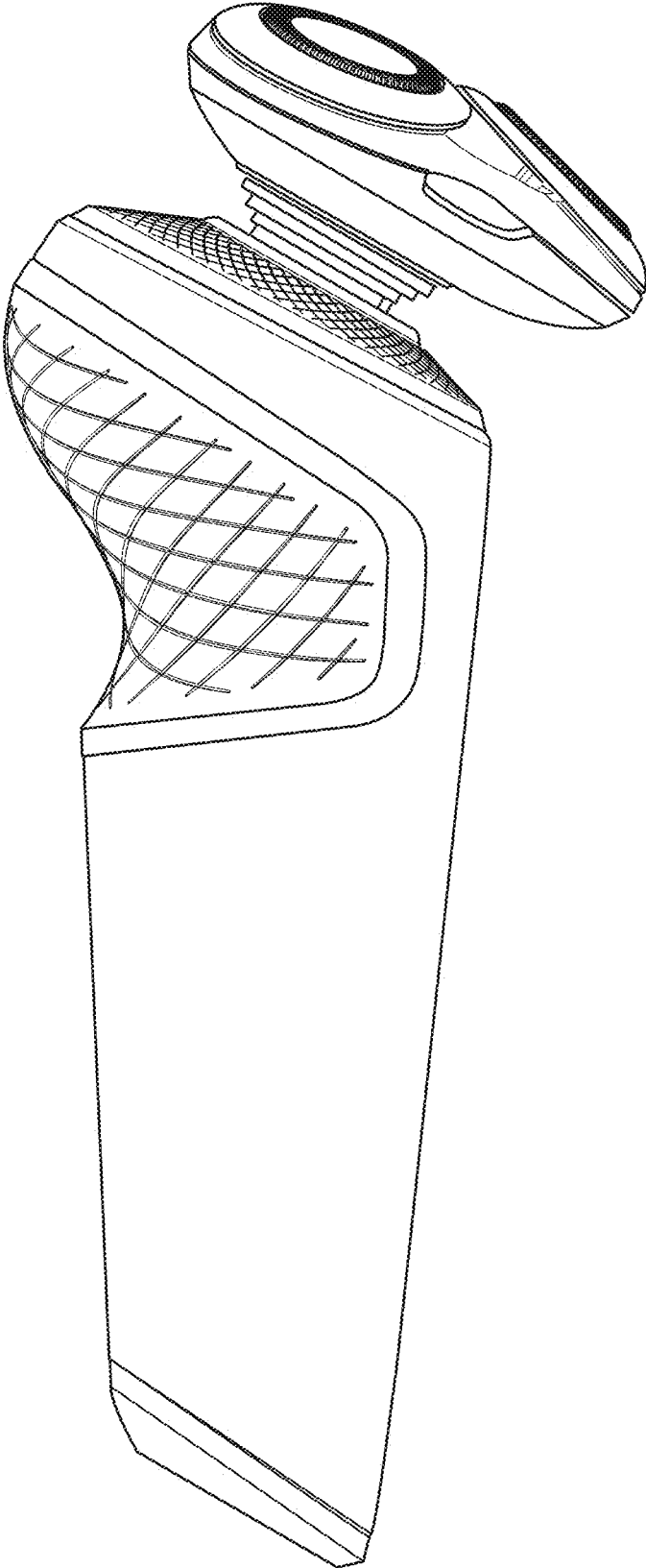


FIG. 11

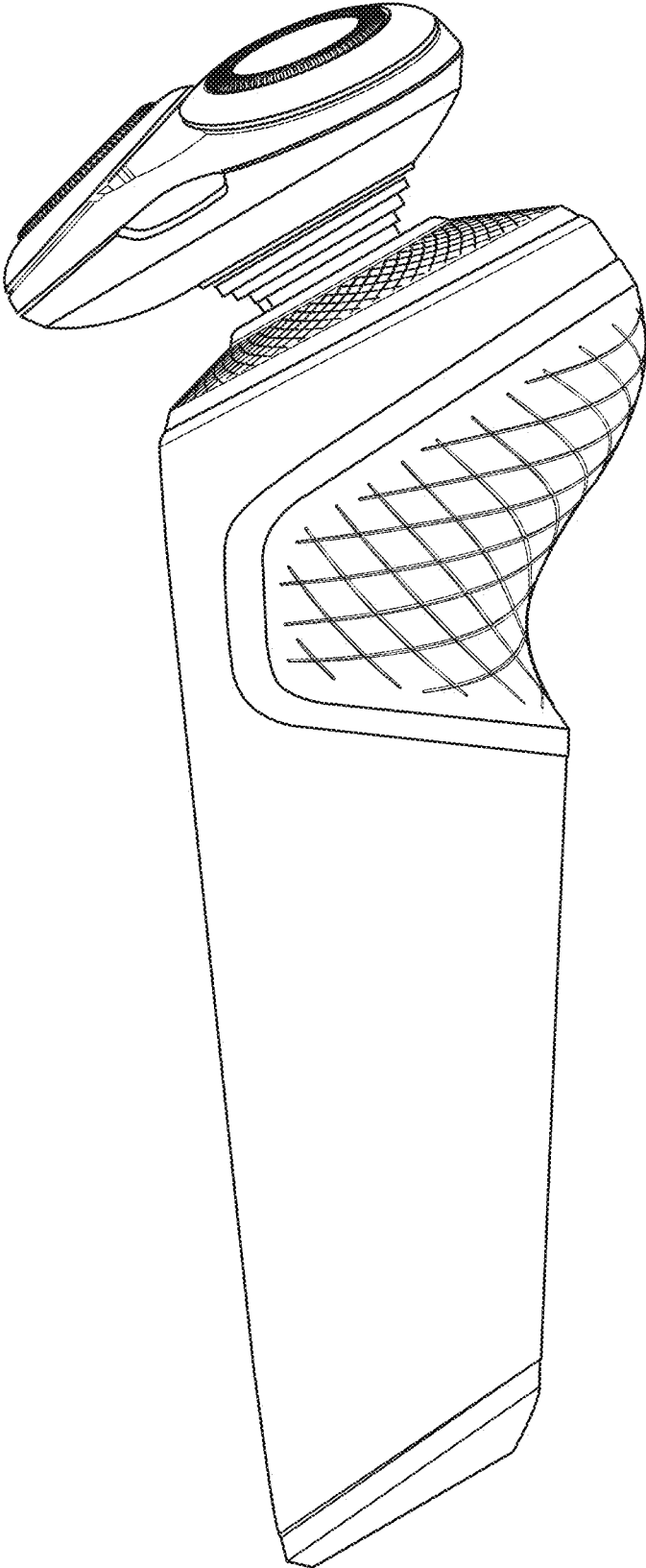


FIG. 12

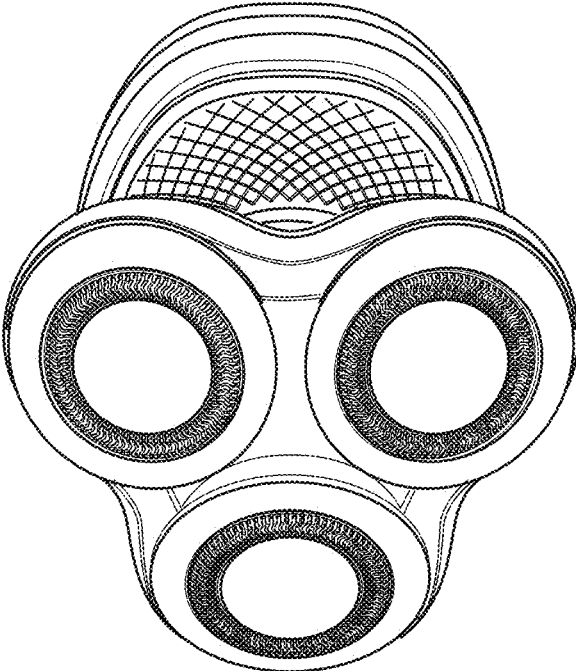


FIG. 13

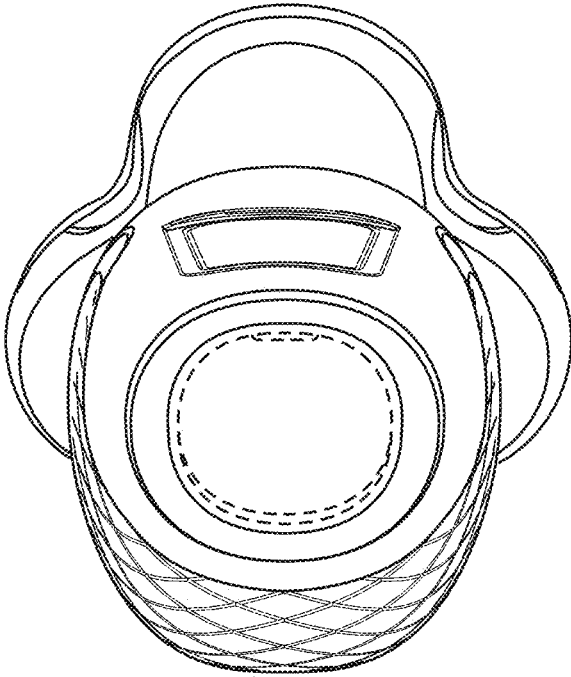


FIG. 14

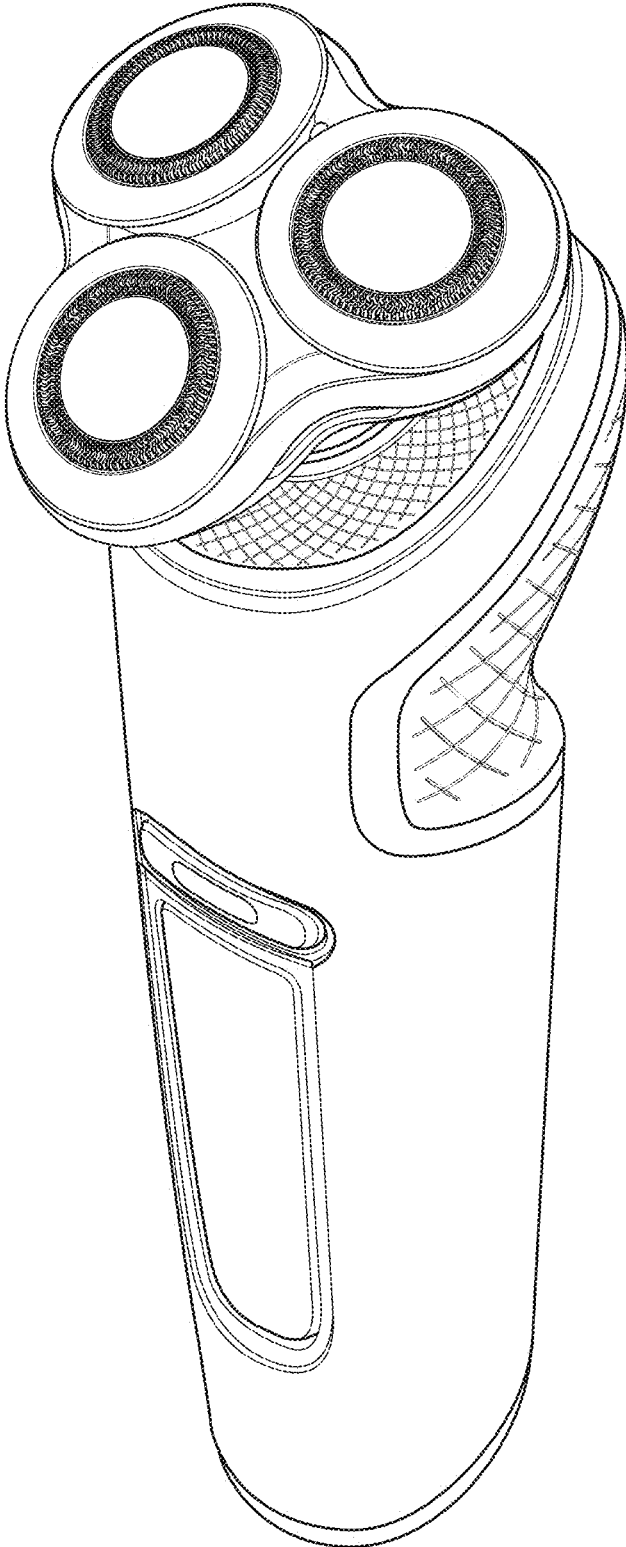


FIG. 15

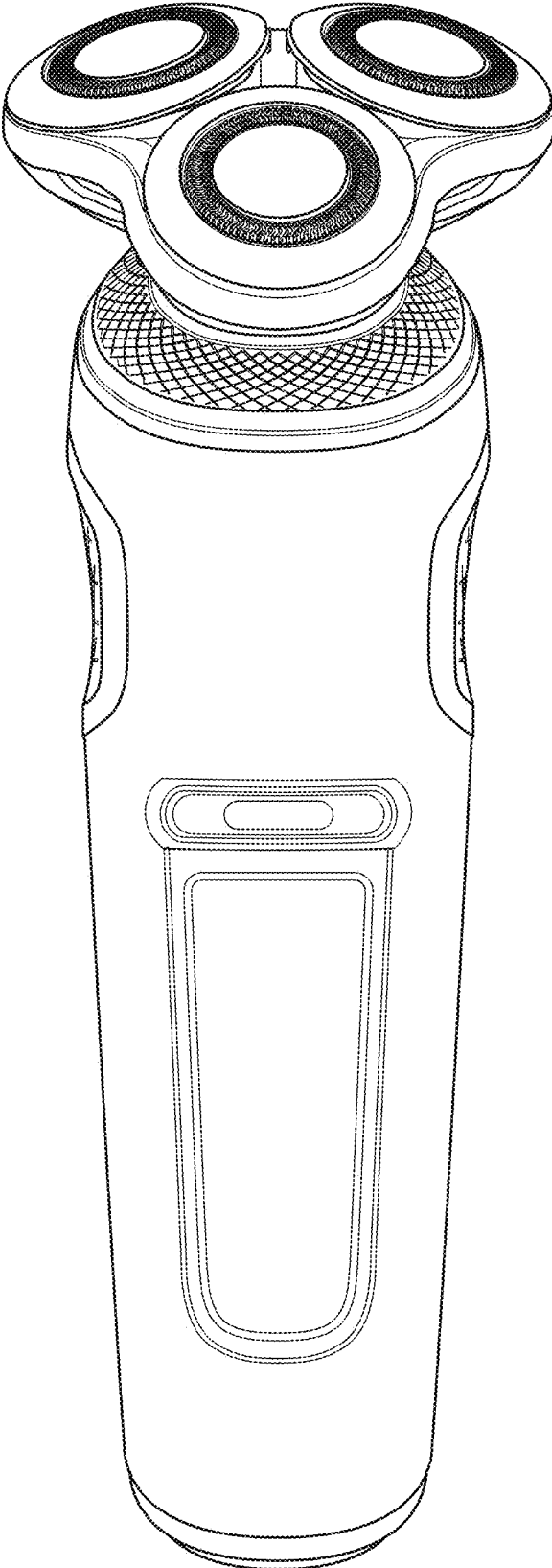


FIG. 16

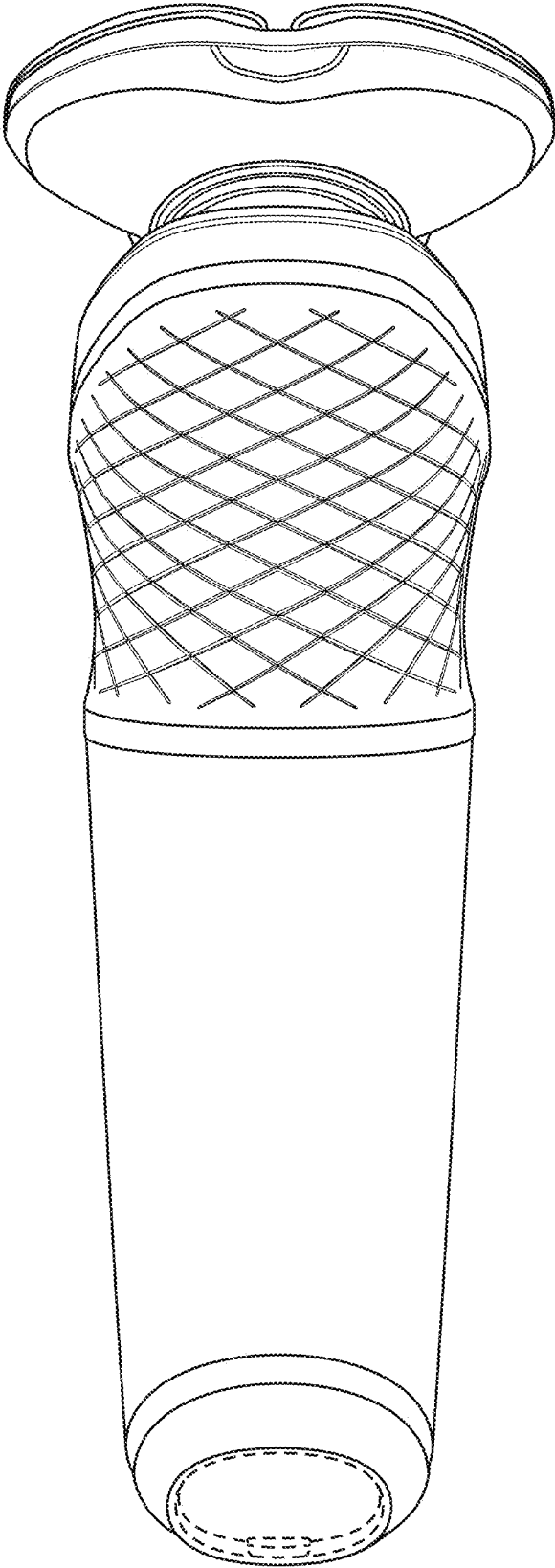


FIG. 17

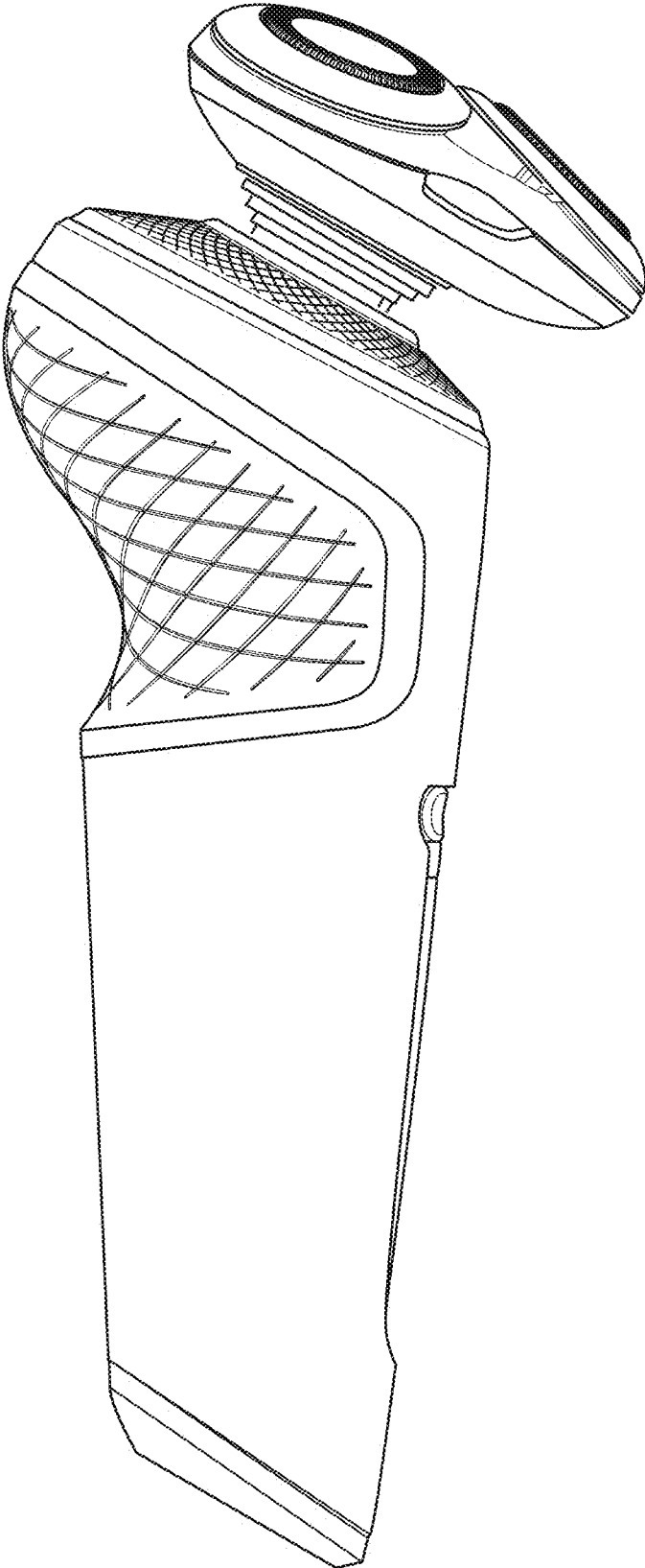


FIG. 18

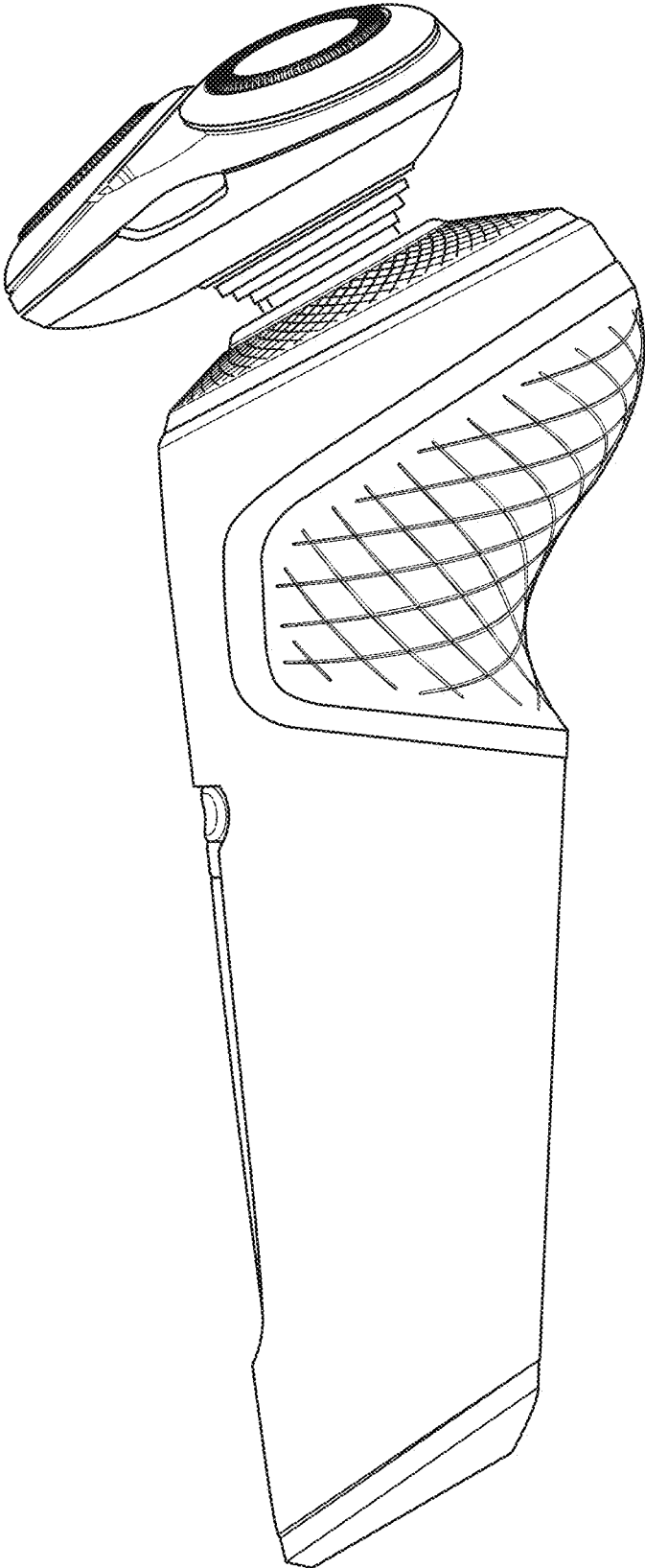


FIG. 19

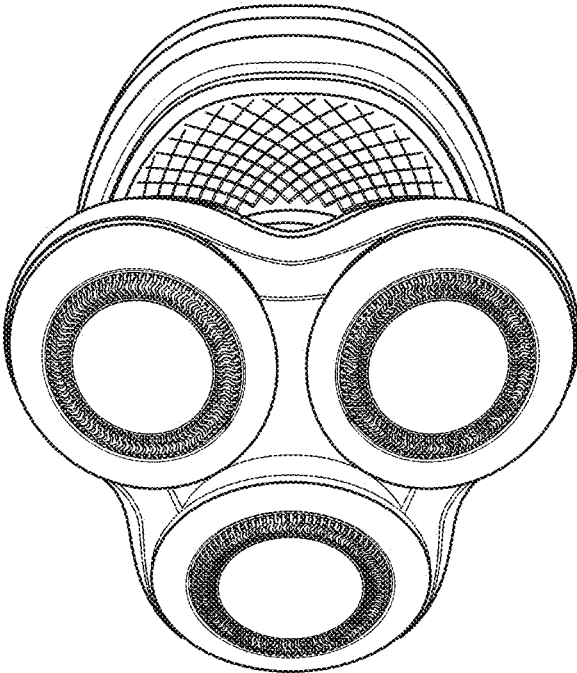


FIG. 20

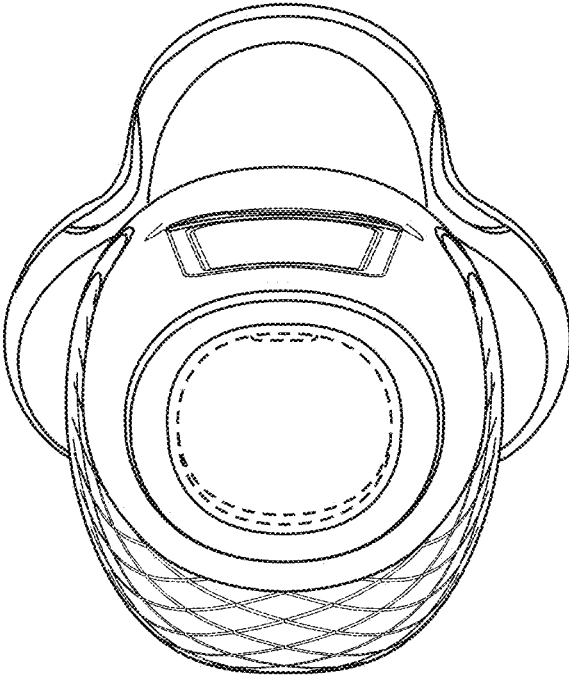


FIG. 21

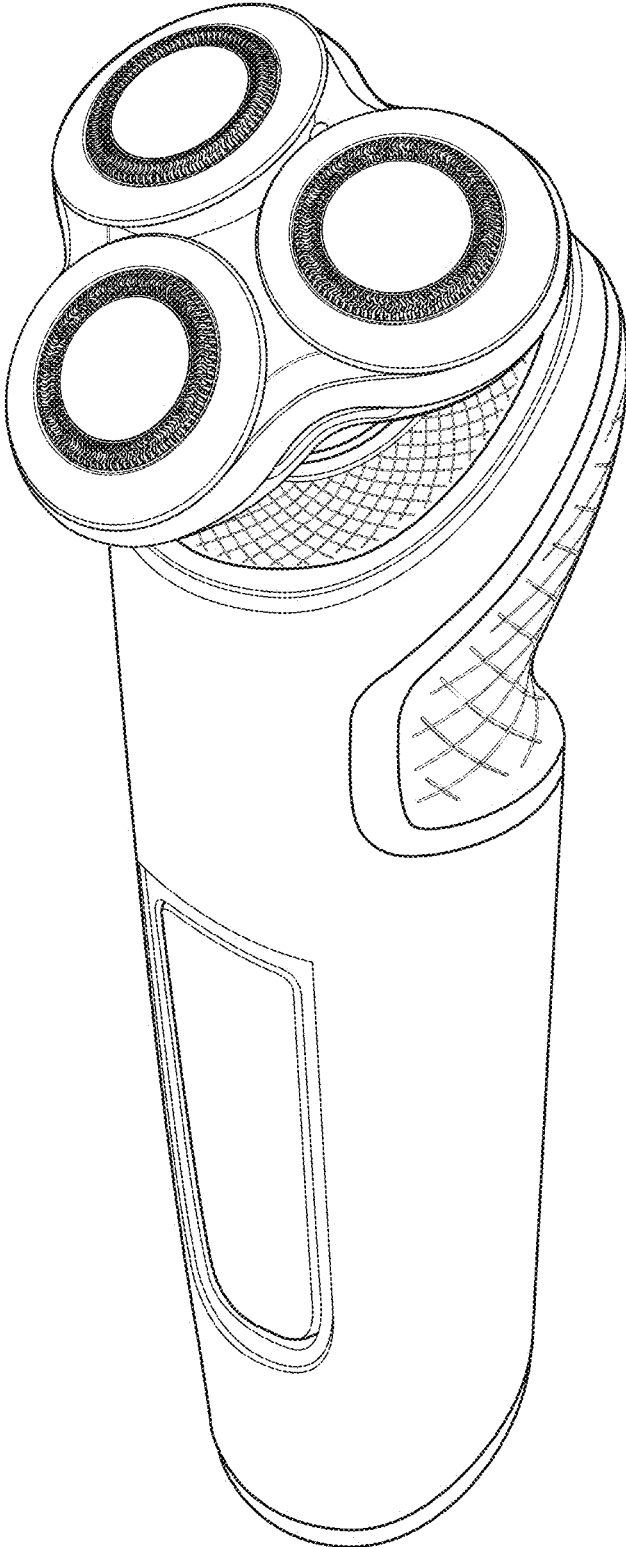


FIG. 22

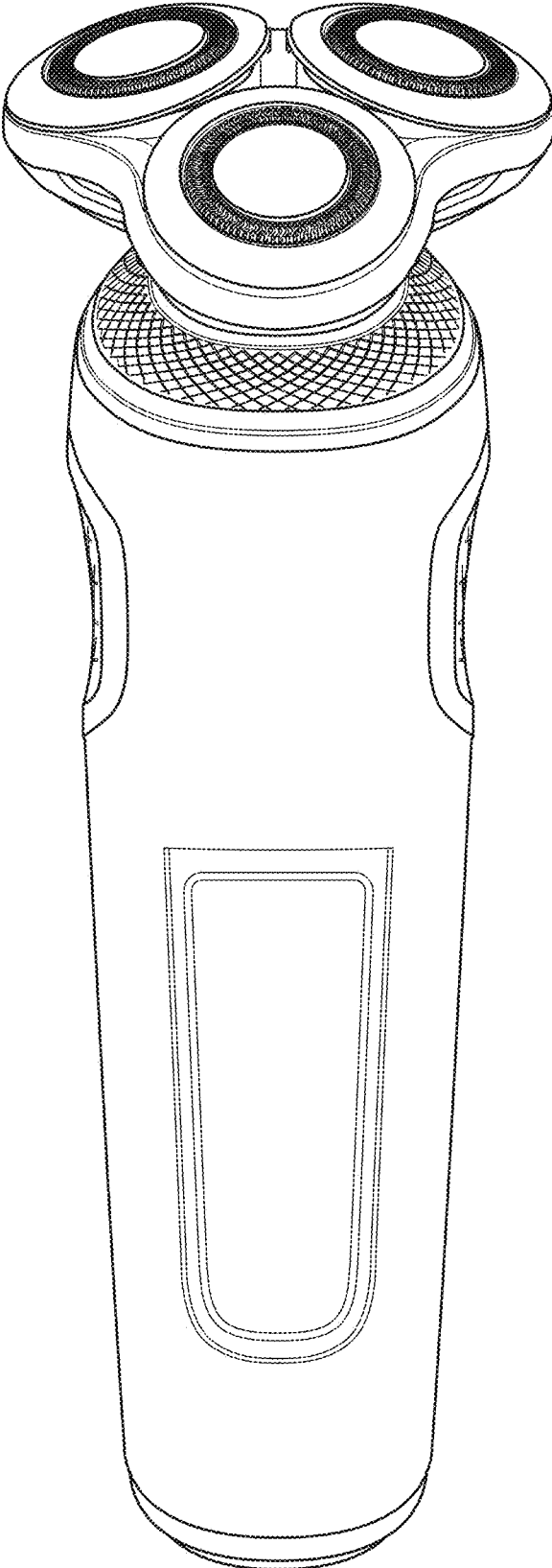


FIG. 23

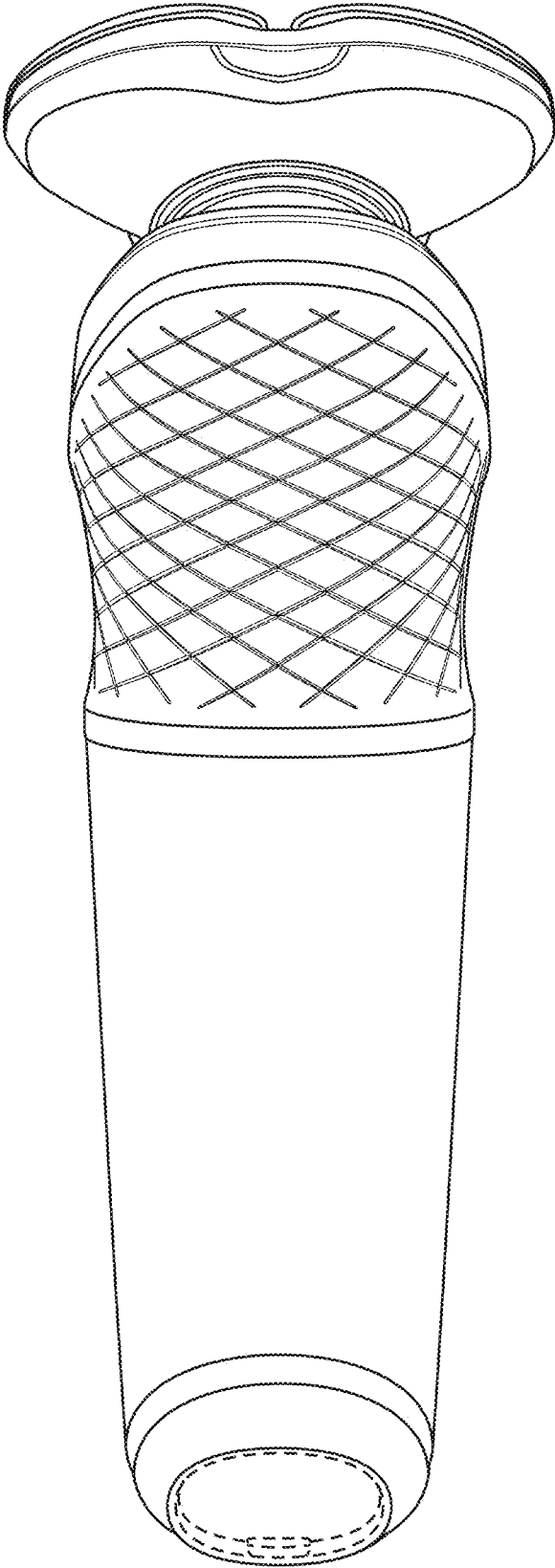


FIG. 24

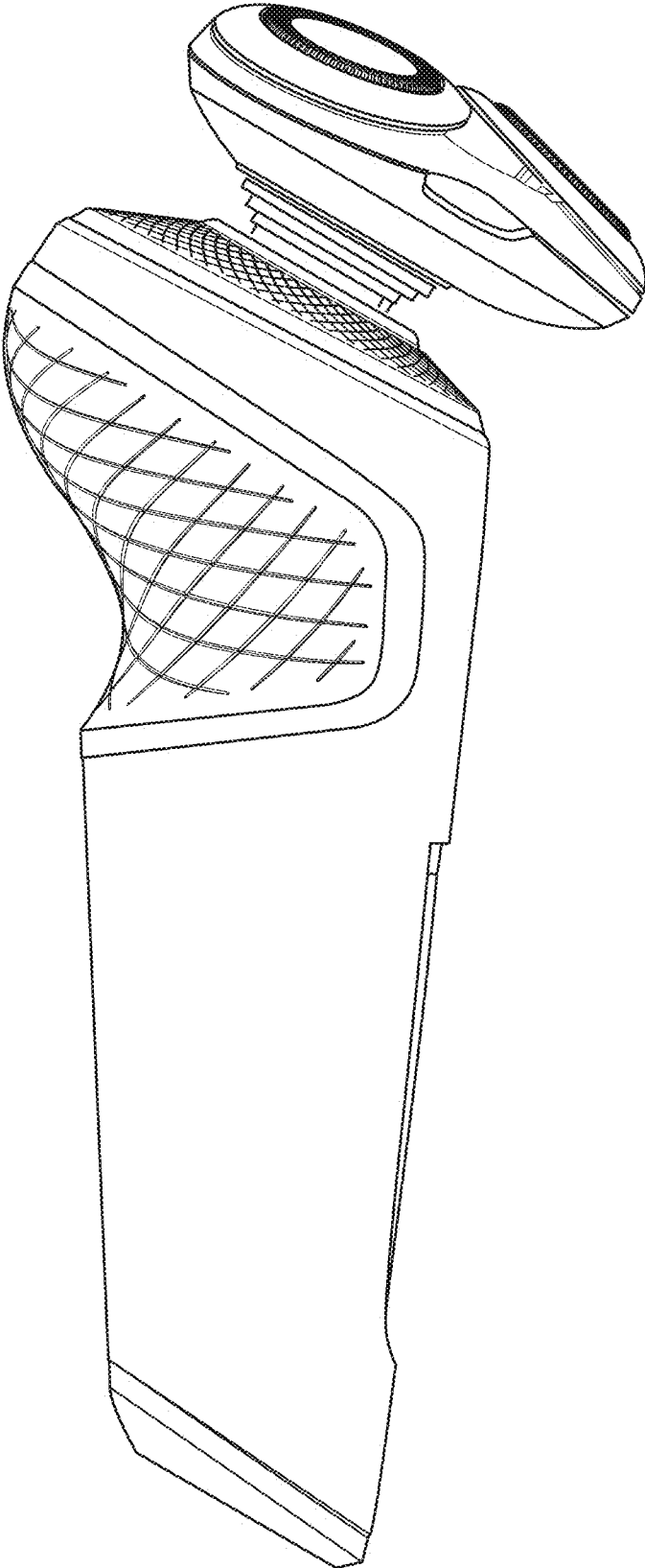


FIG. 25

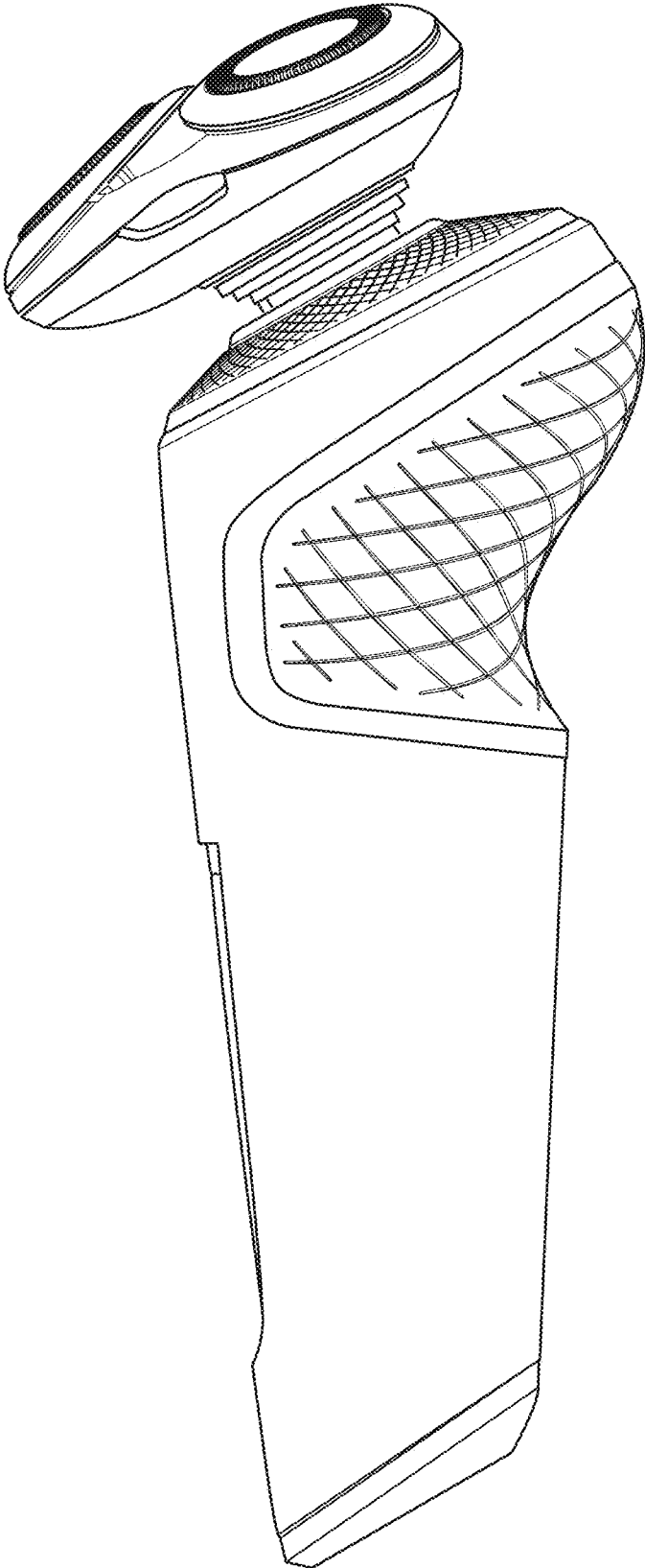


FIG. 26

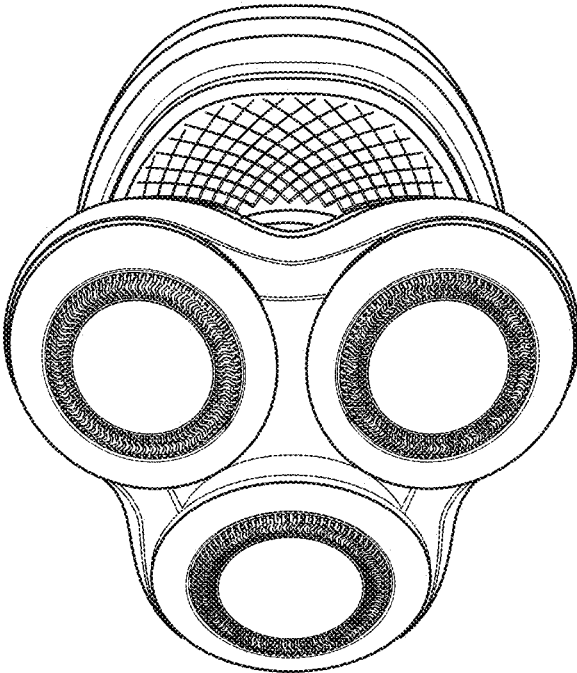


FIG. 27

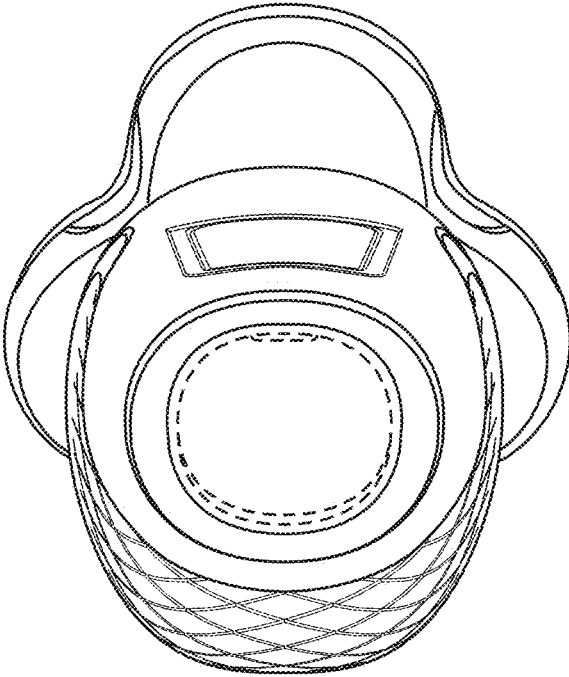


FIG. 28

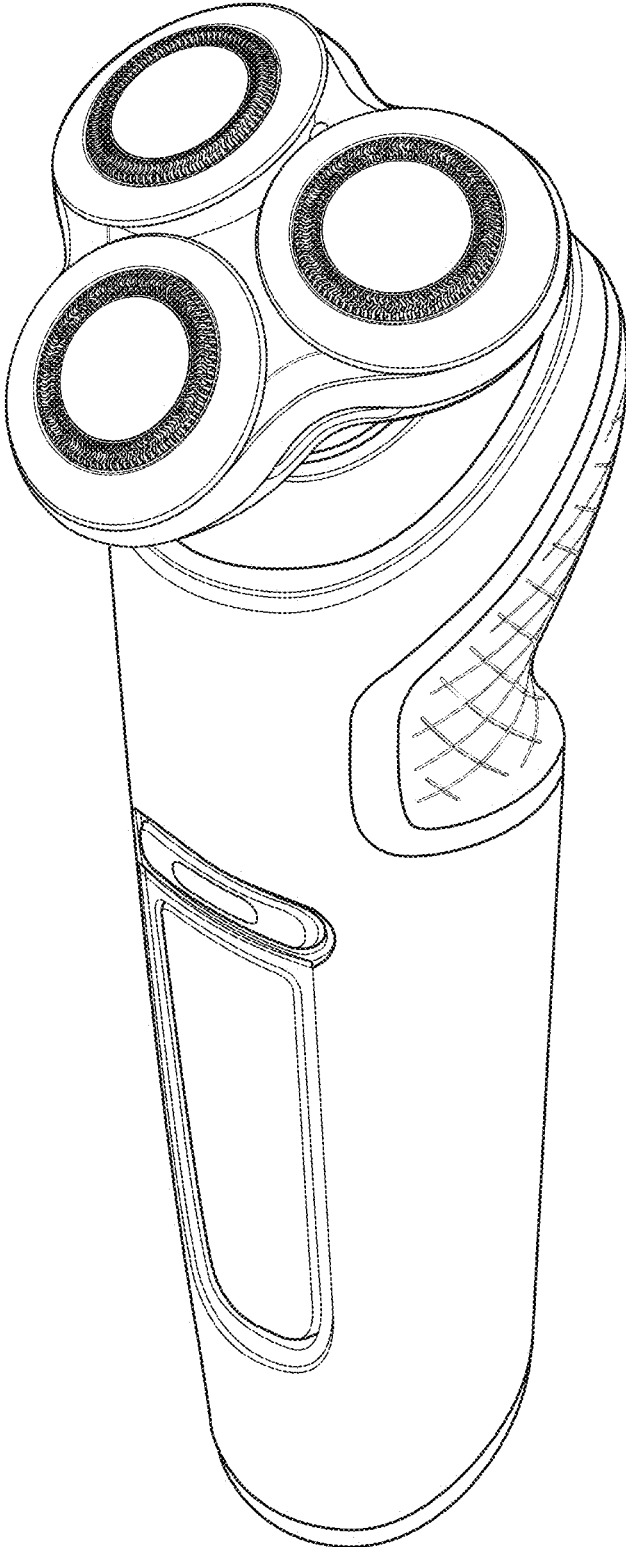


FIG. 29

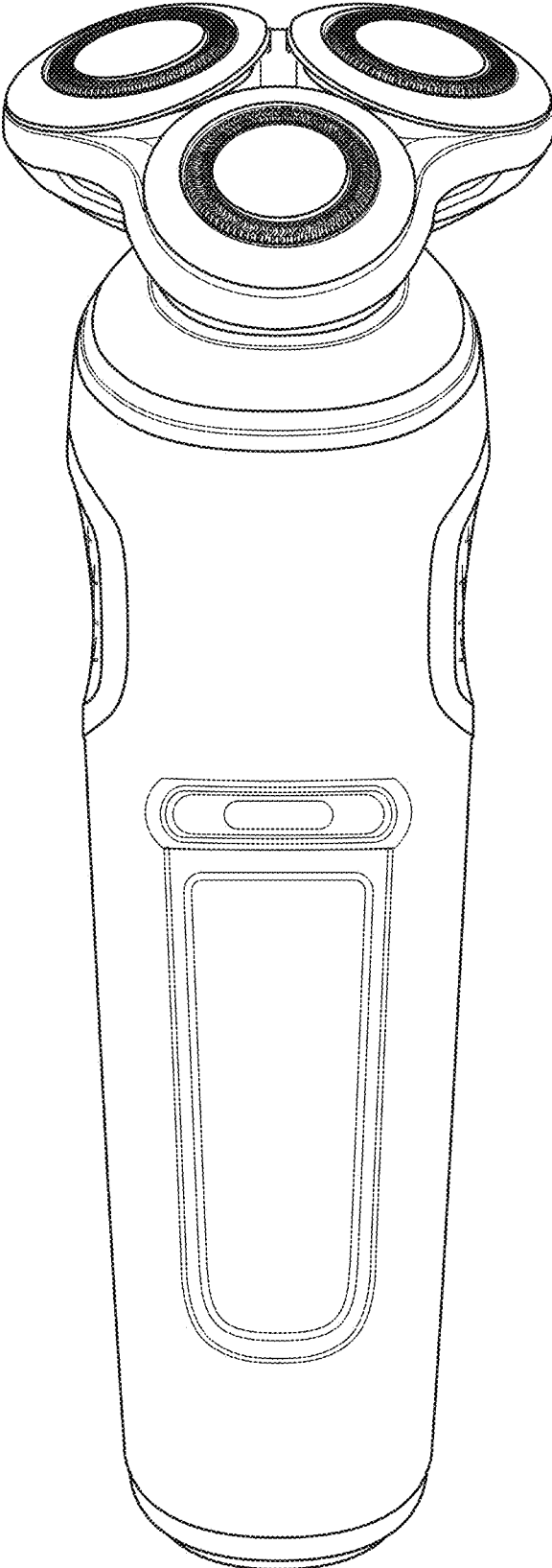


FIG. 30

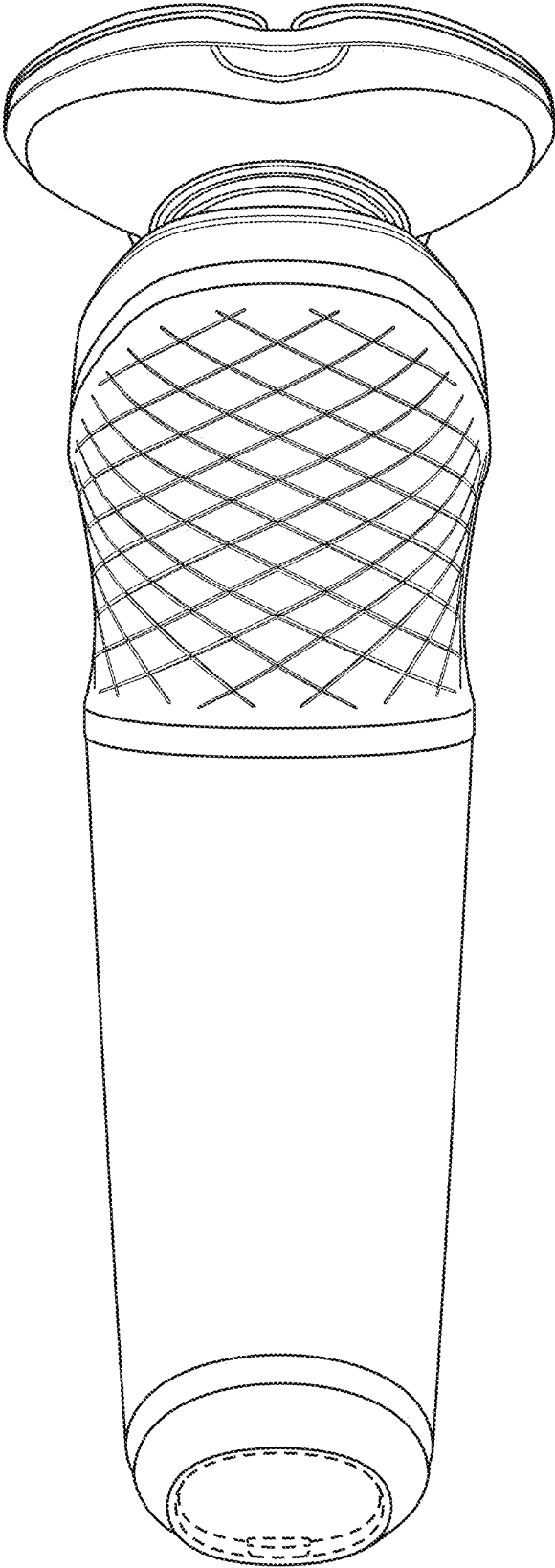


FIG. 31

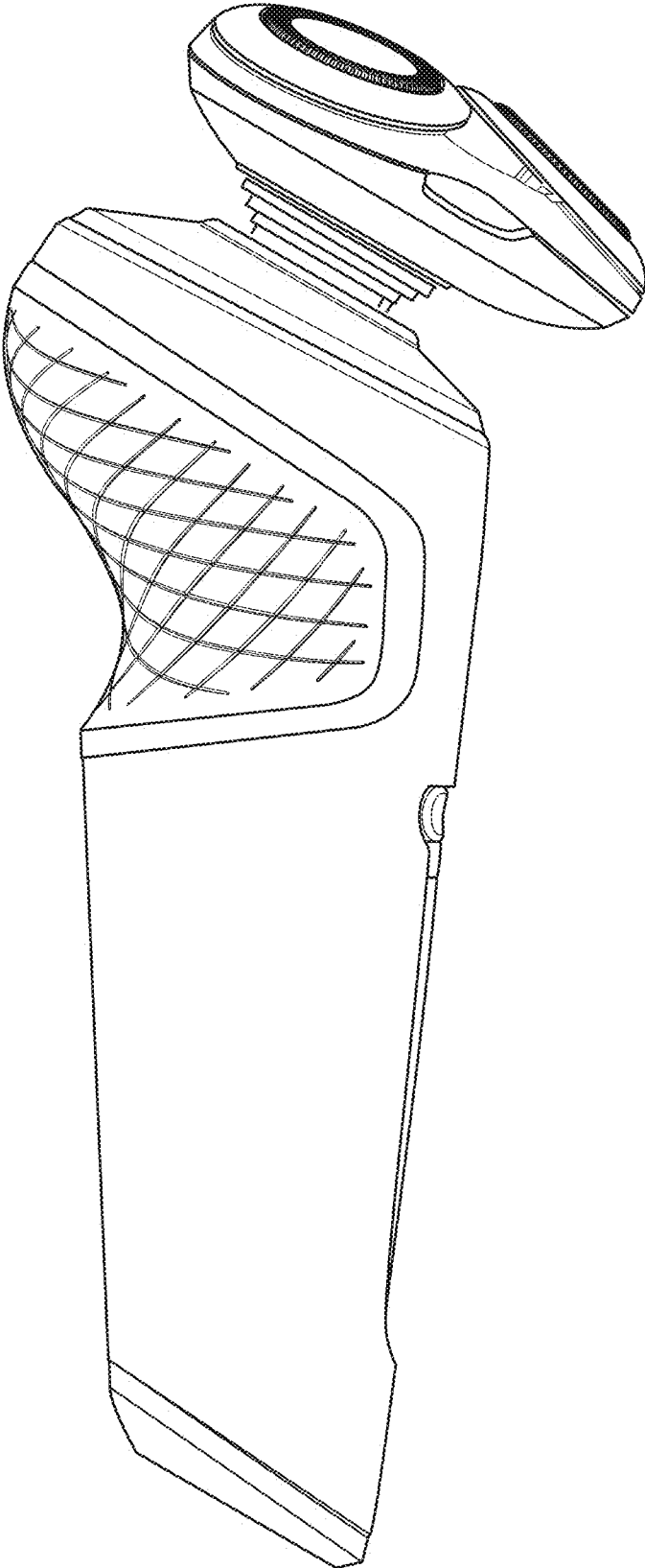


FIG. 32

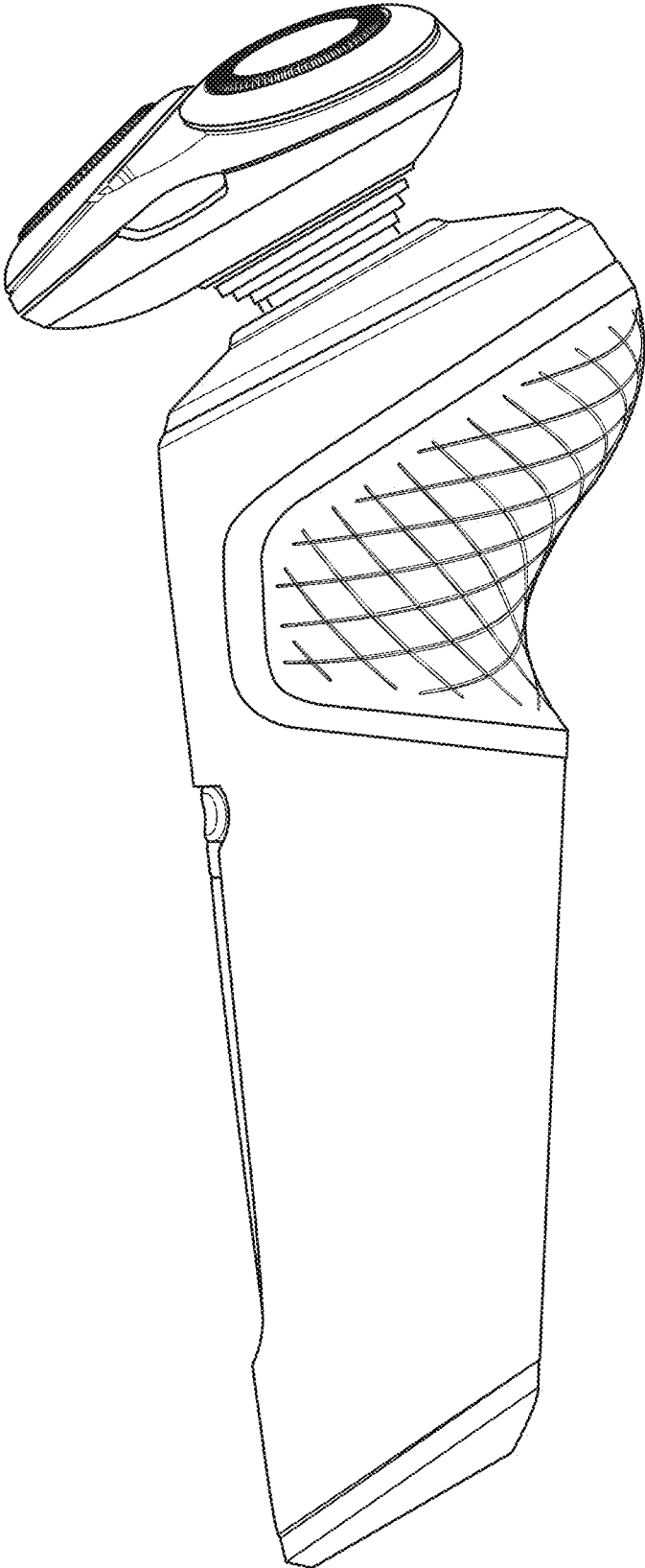


FIG. 33

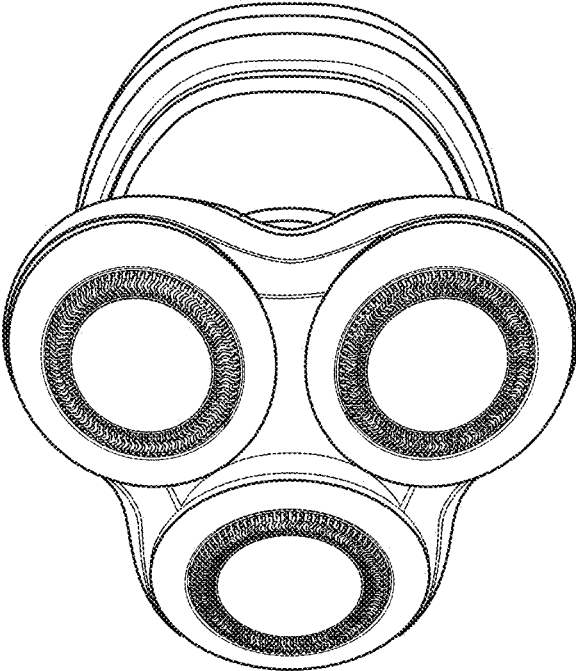


FIG. 34

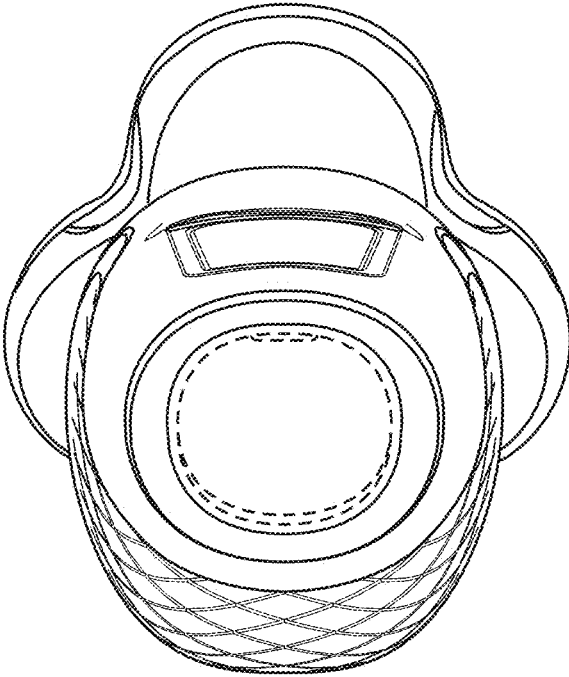


FIG. 35

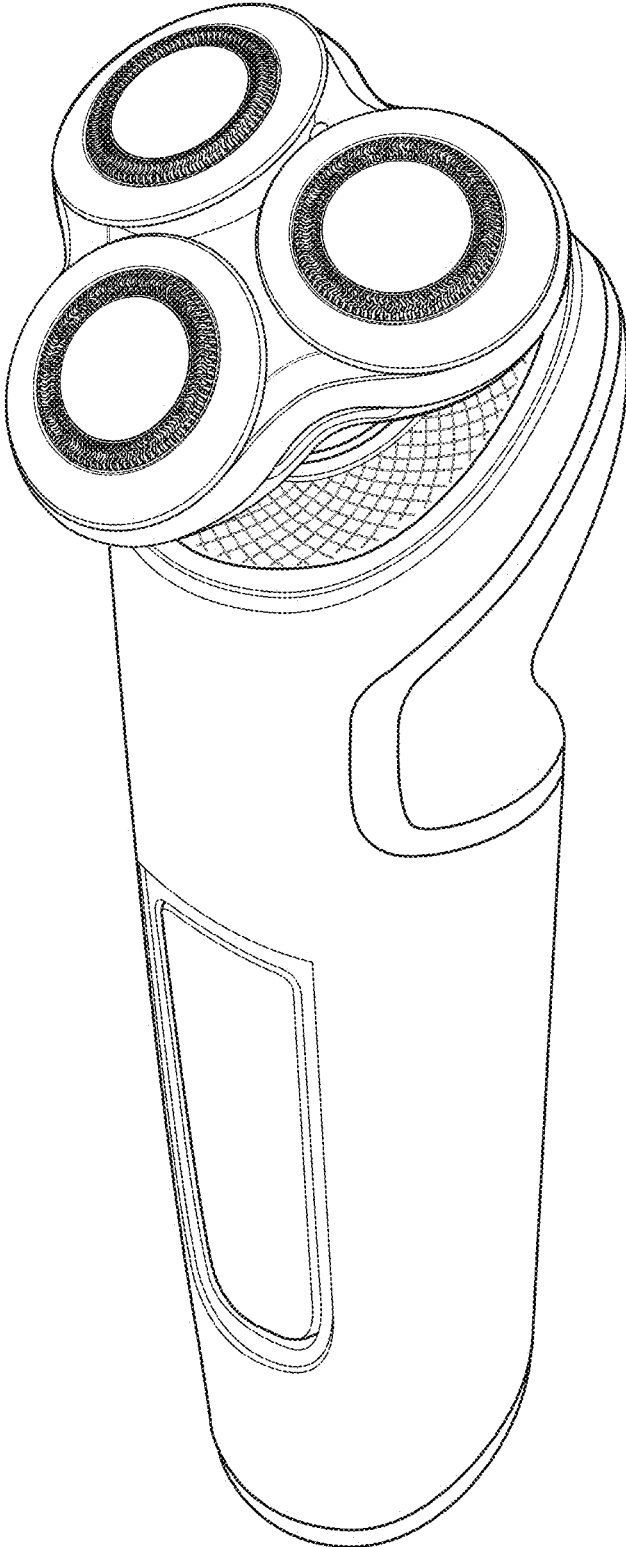


FIG. 36

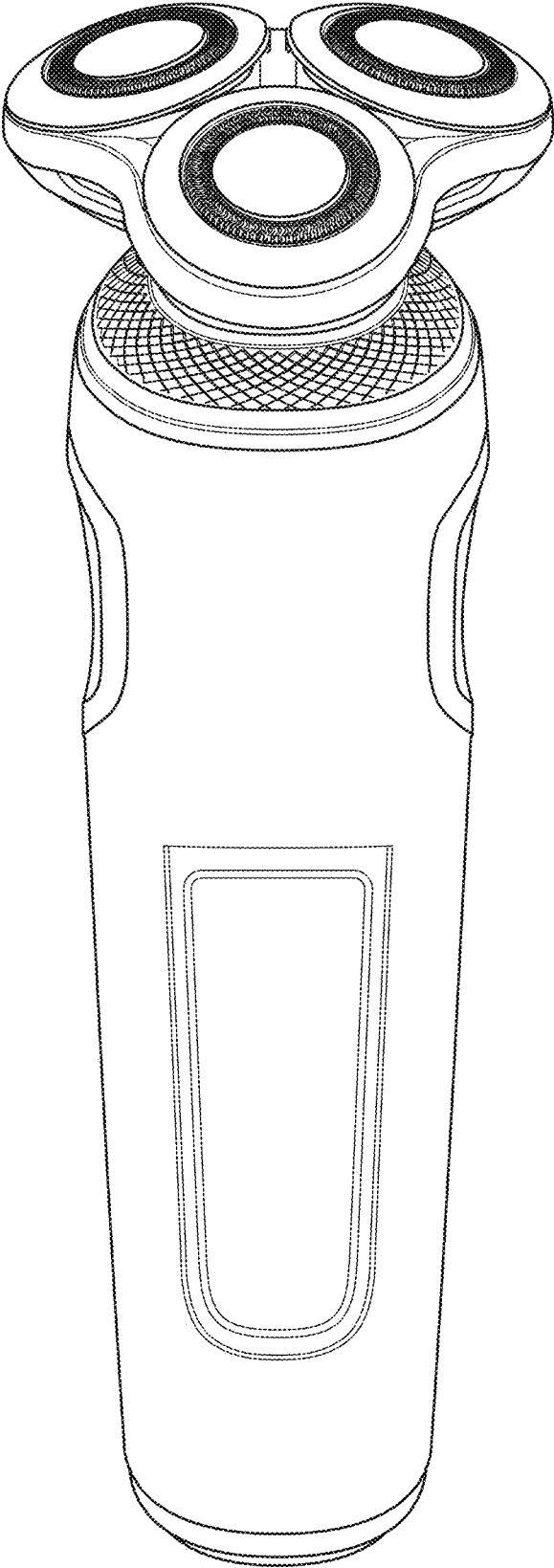


FIG. 37

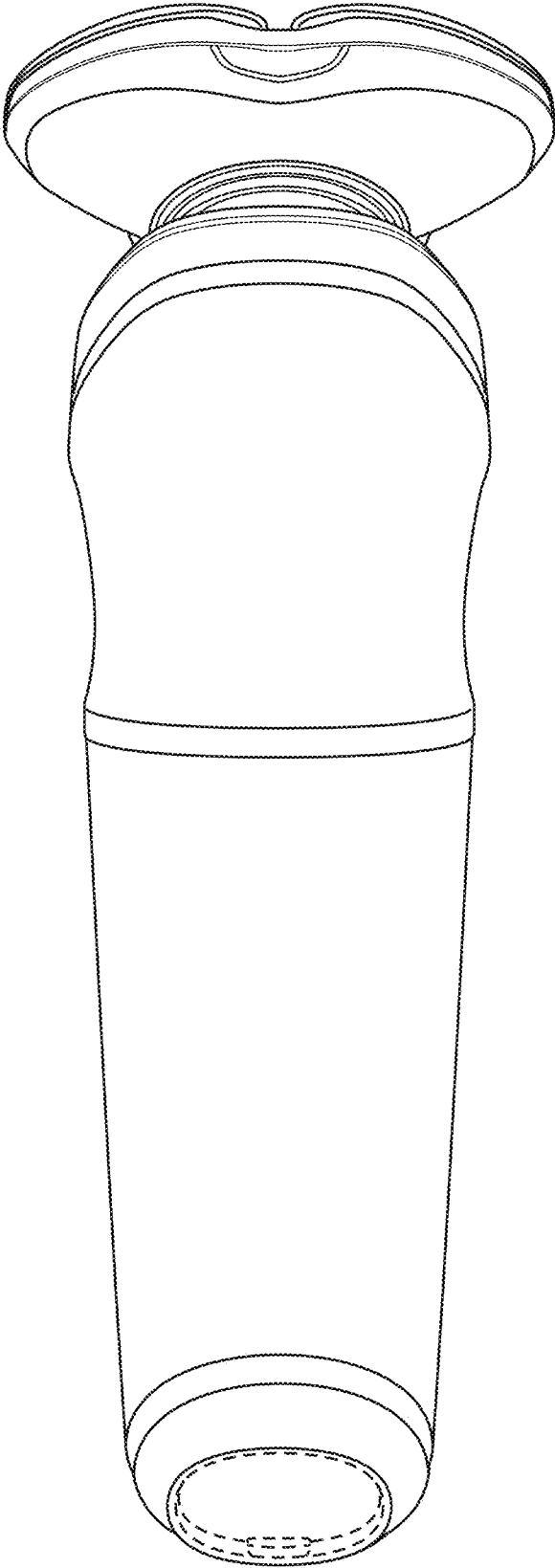


FIG. 38

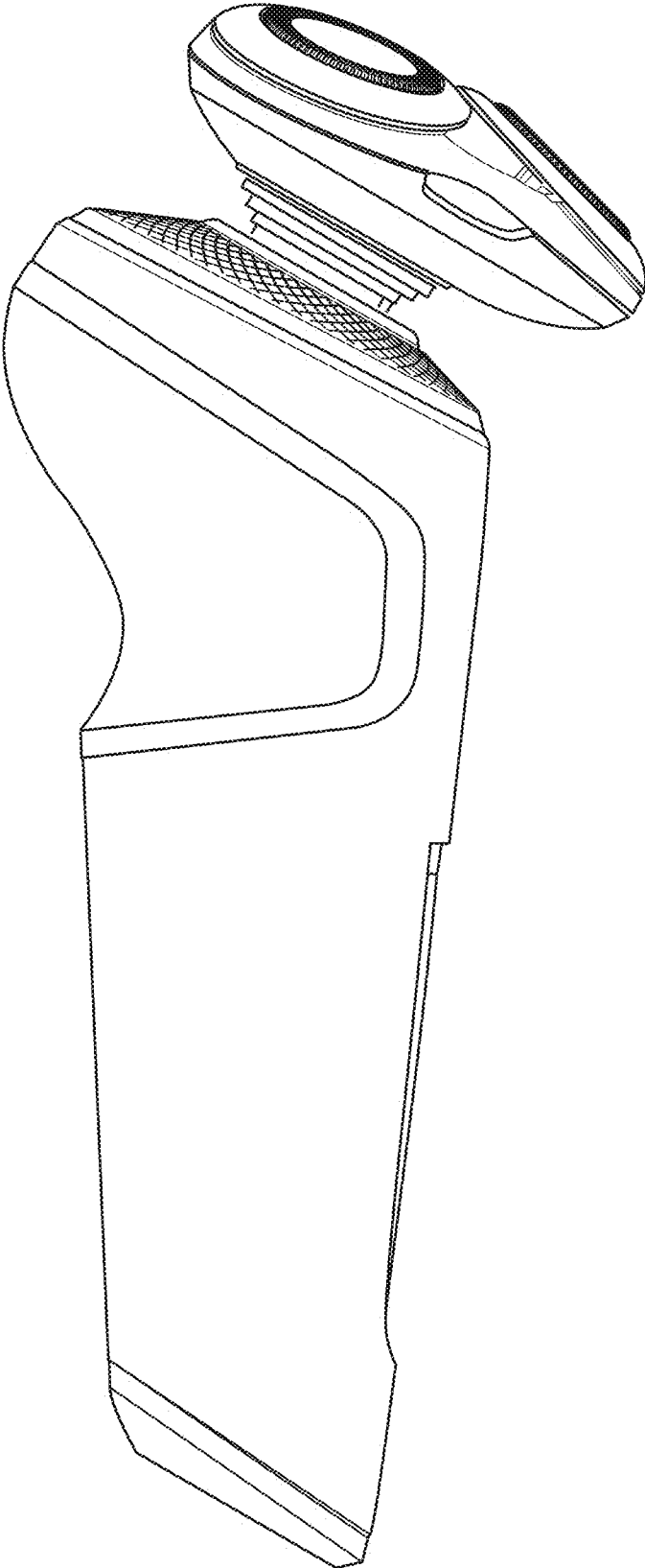


FIG. 39

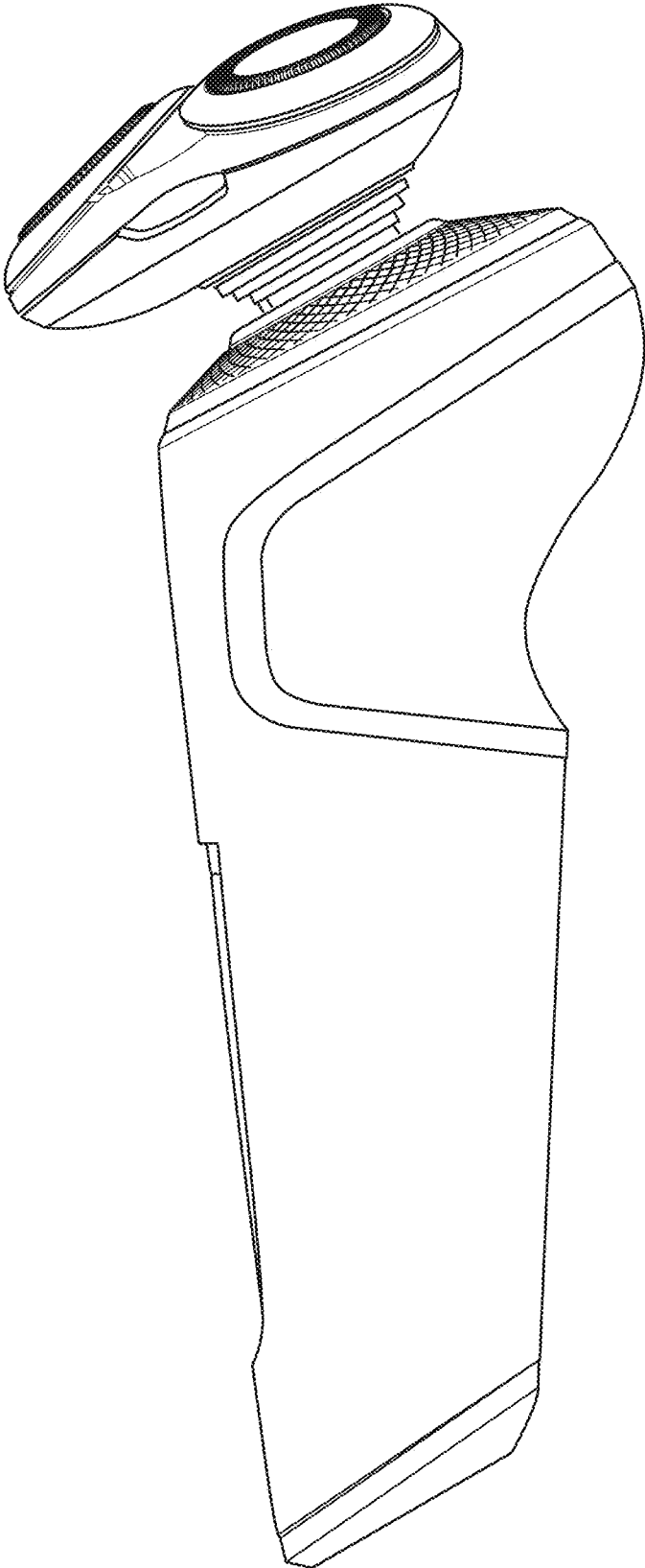


FIG. 40

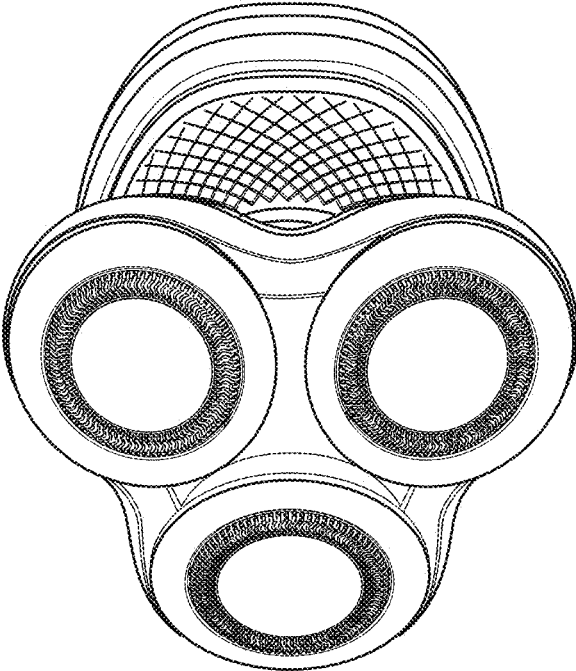


FIG. 41

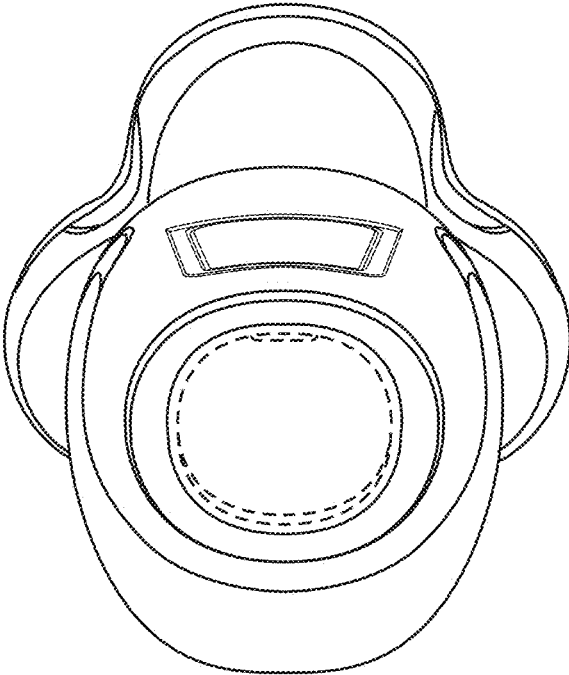


FIG. 42

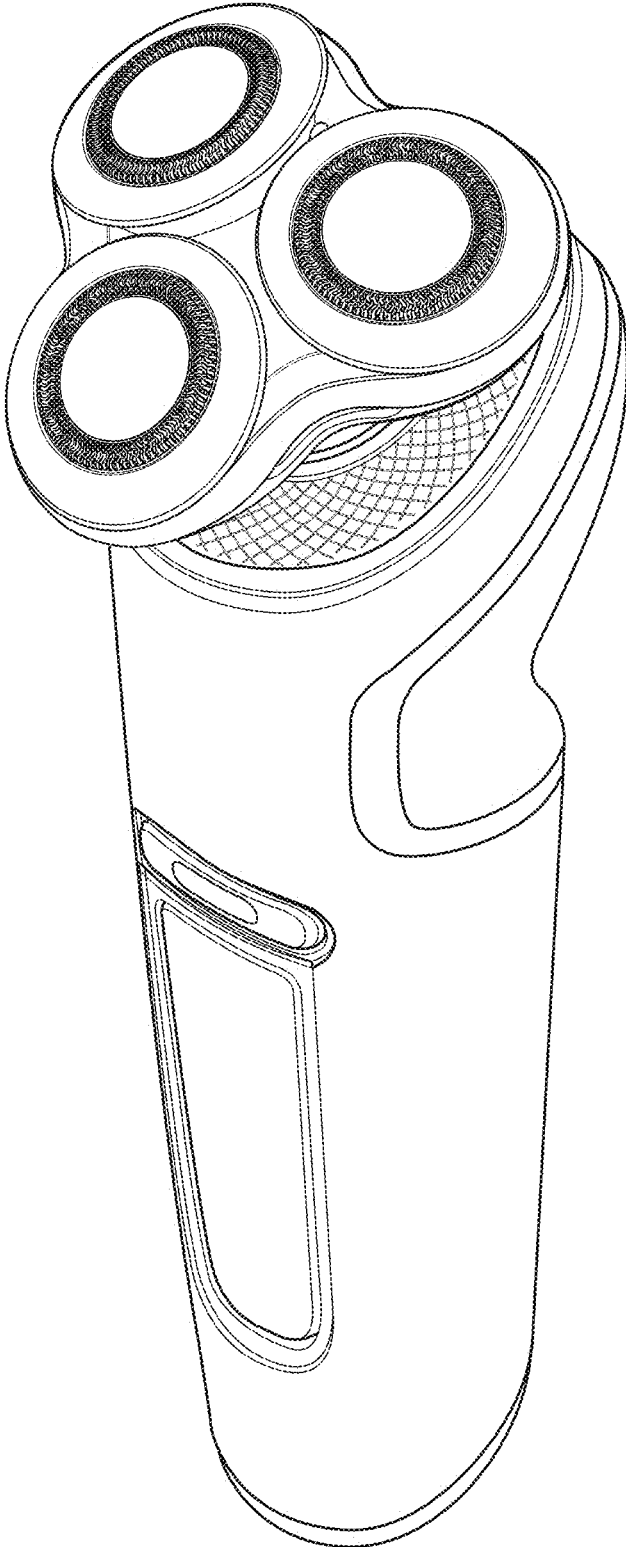


FIG. 43

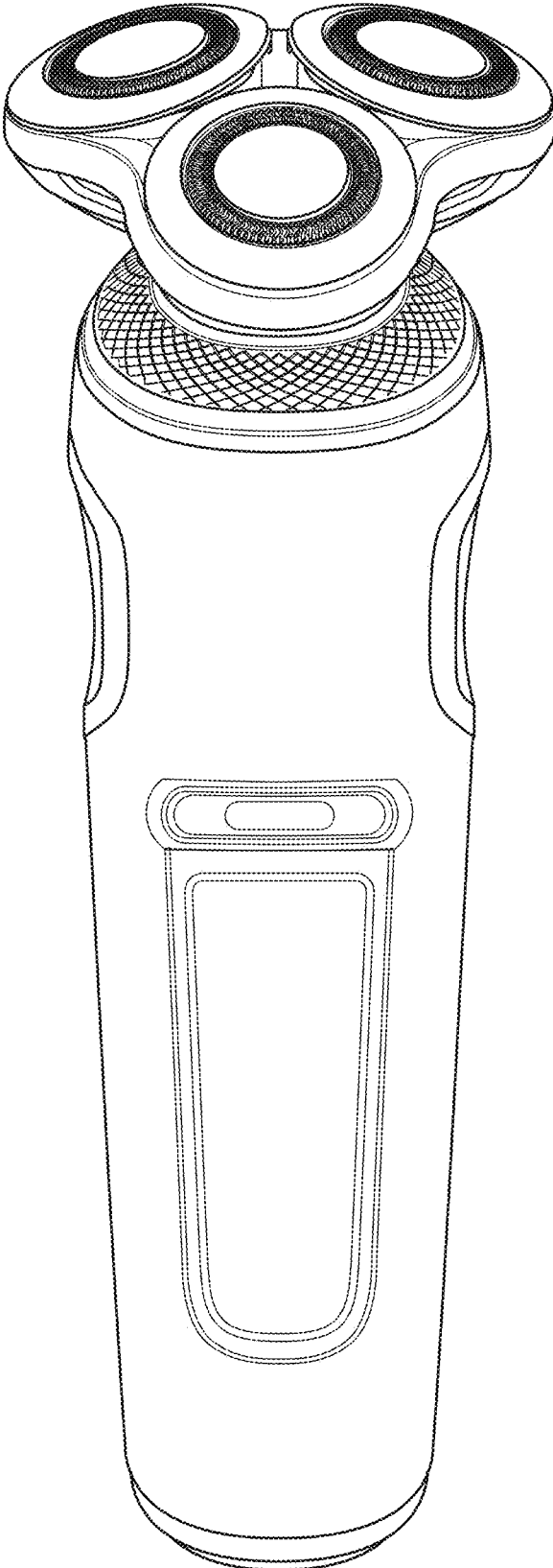


FIG. 44

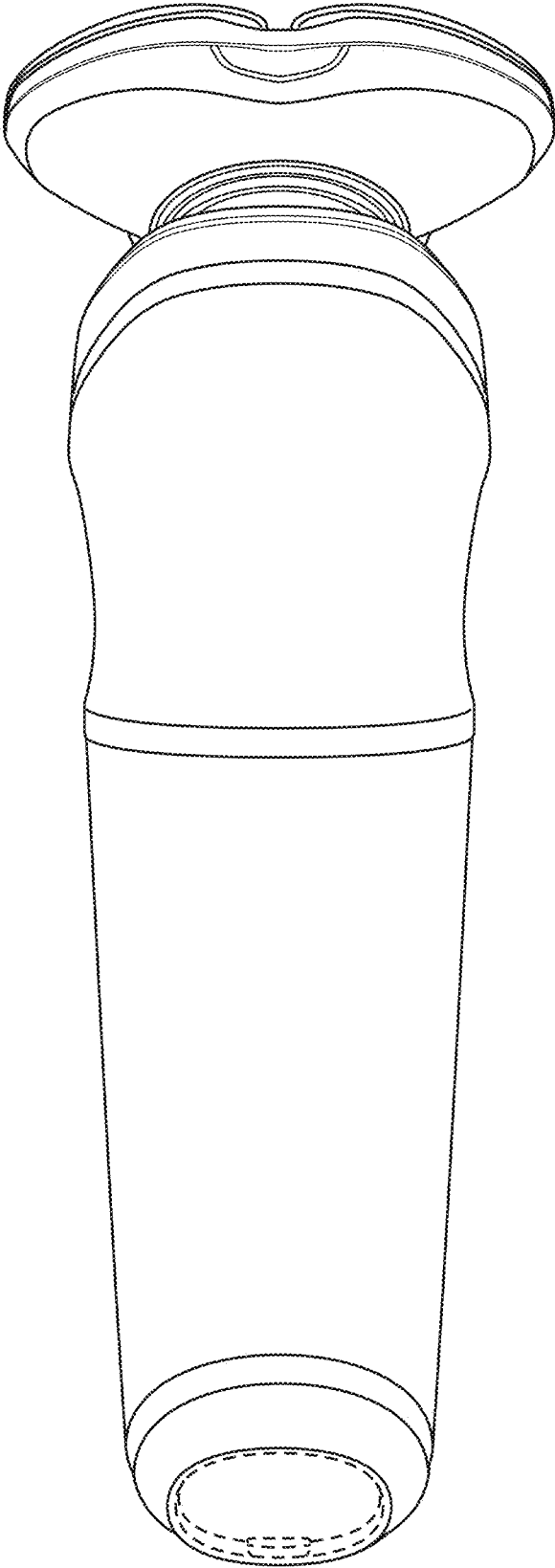


FIG. 45

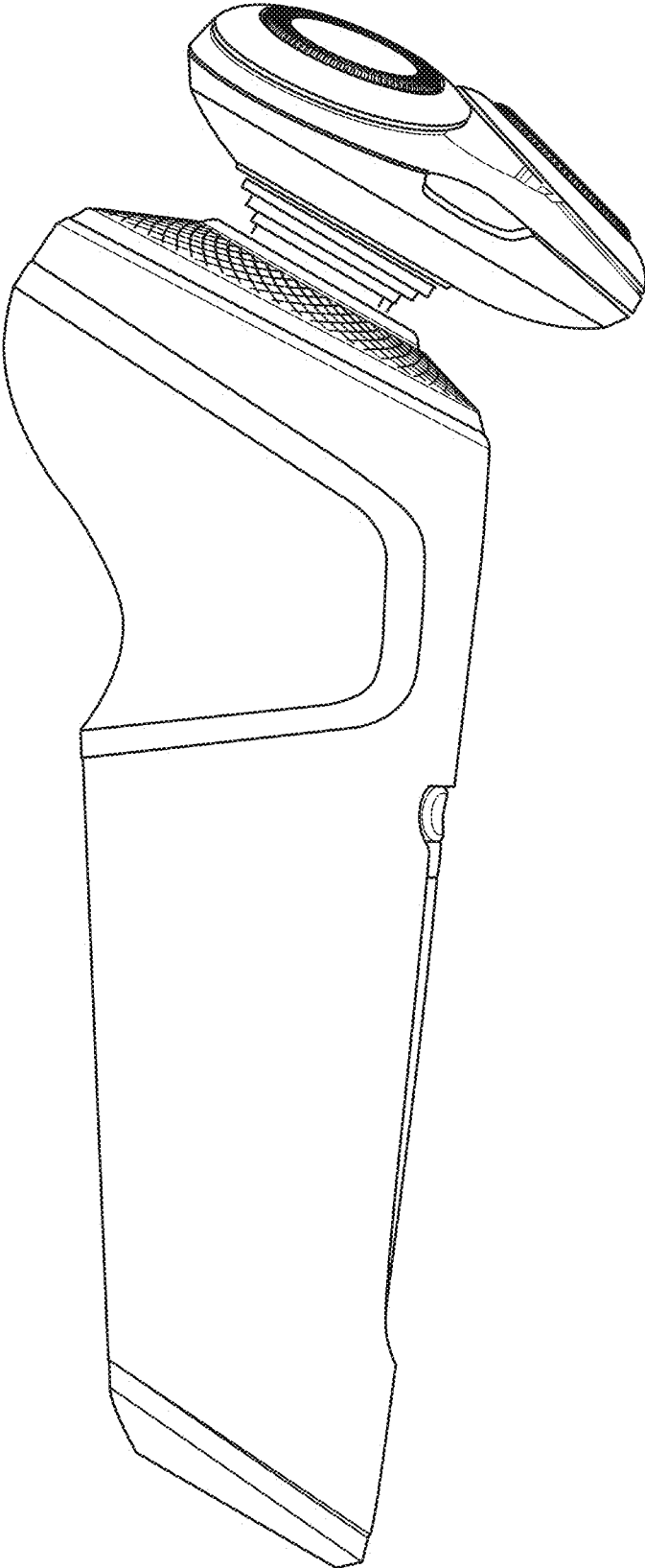


FIG. 46

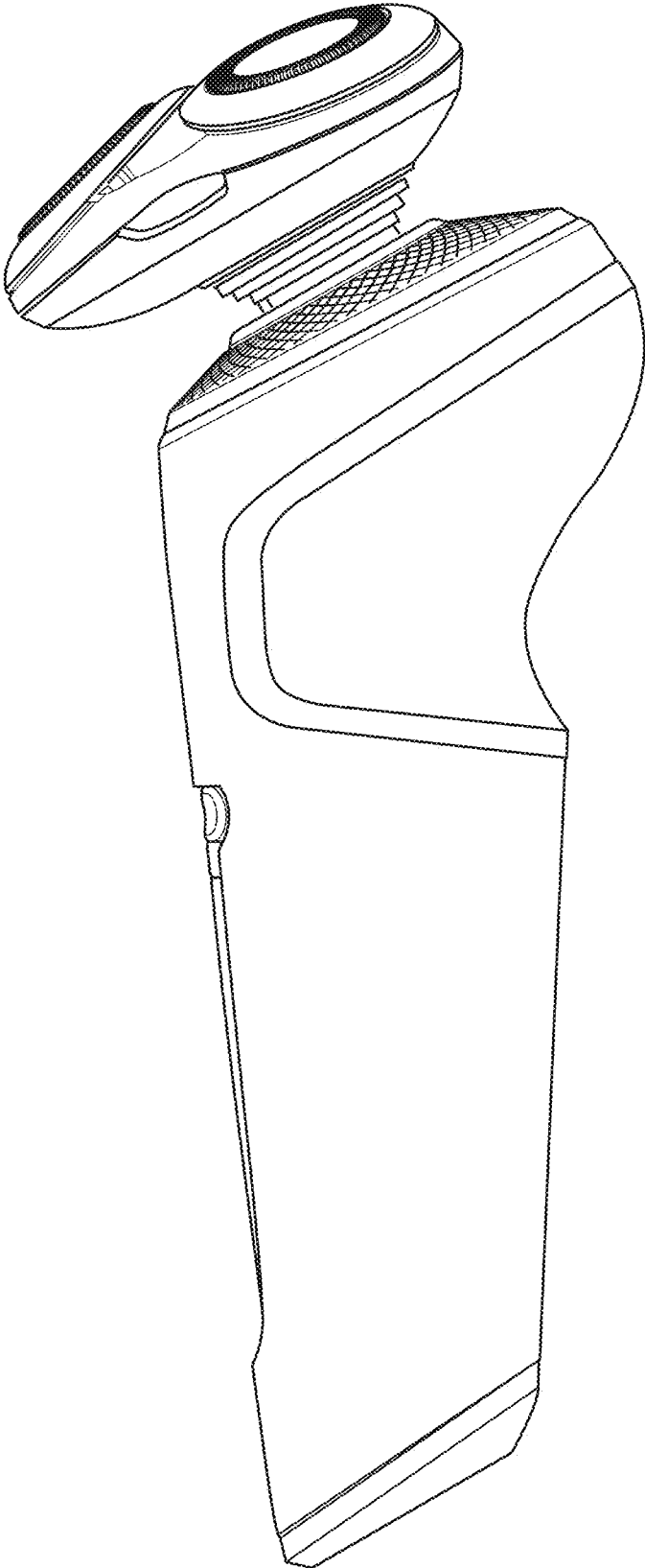


FIG. 47

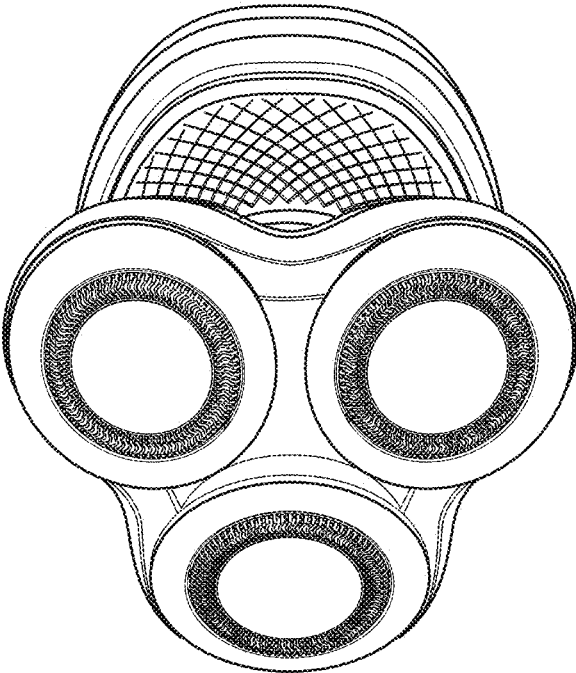


FIG. 48

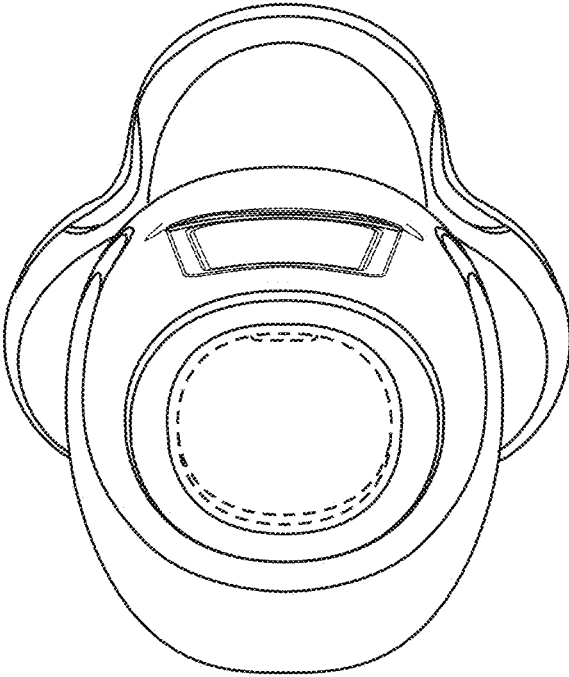


FIG. 49

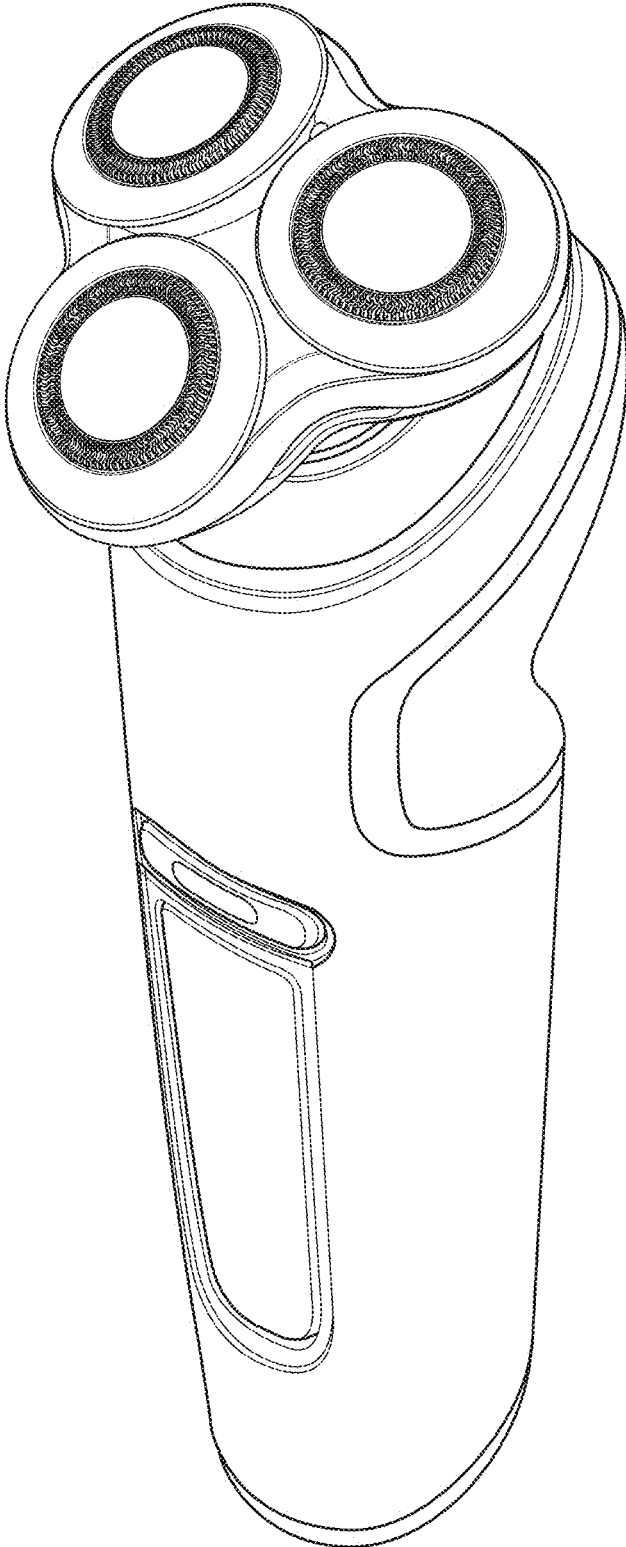


FIG. 50

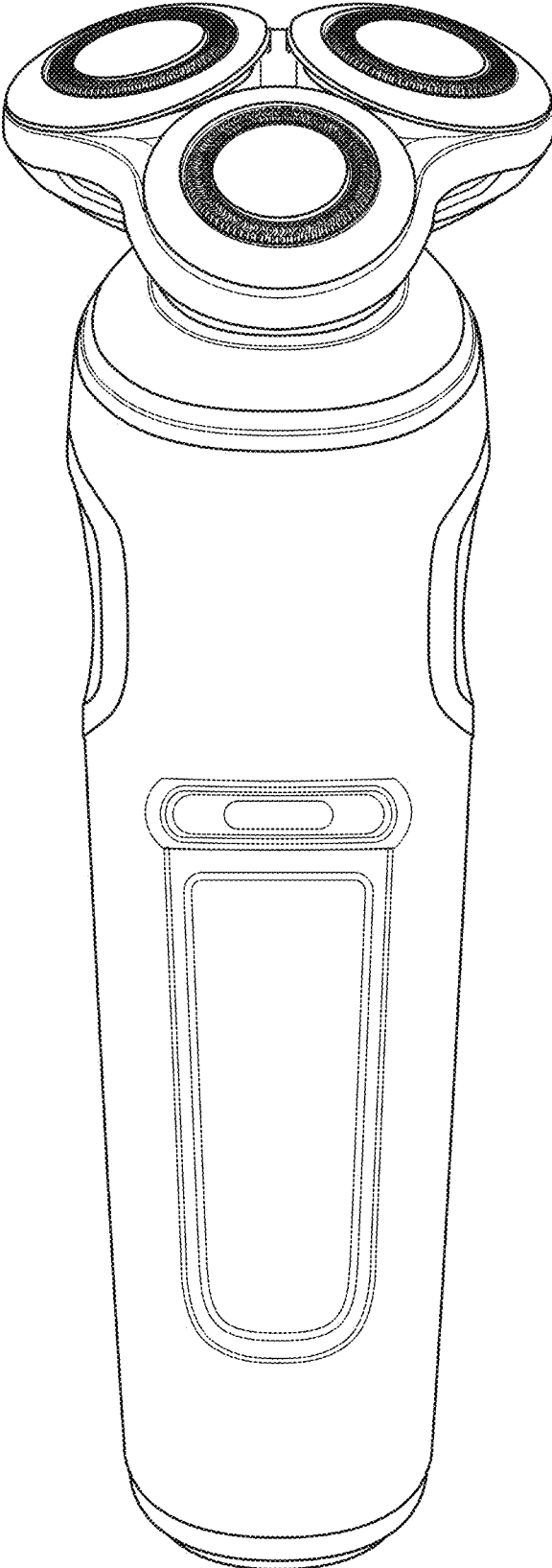


FIG. 51

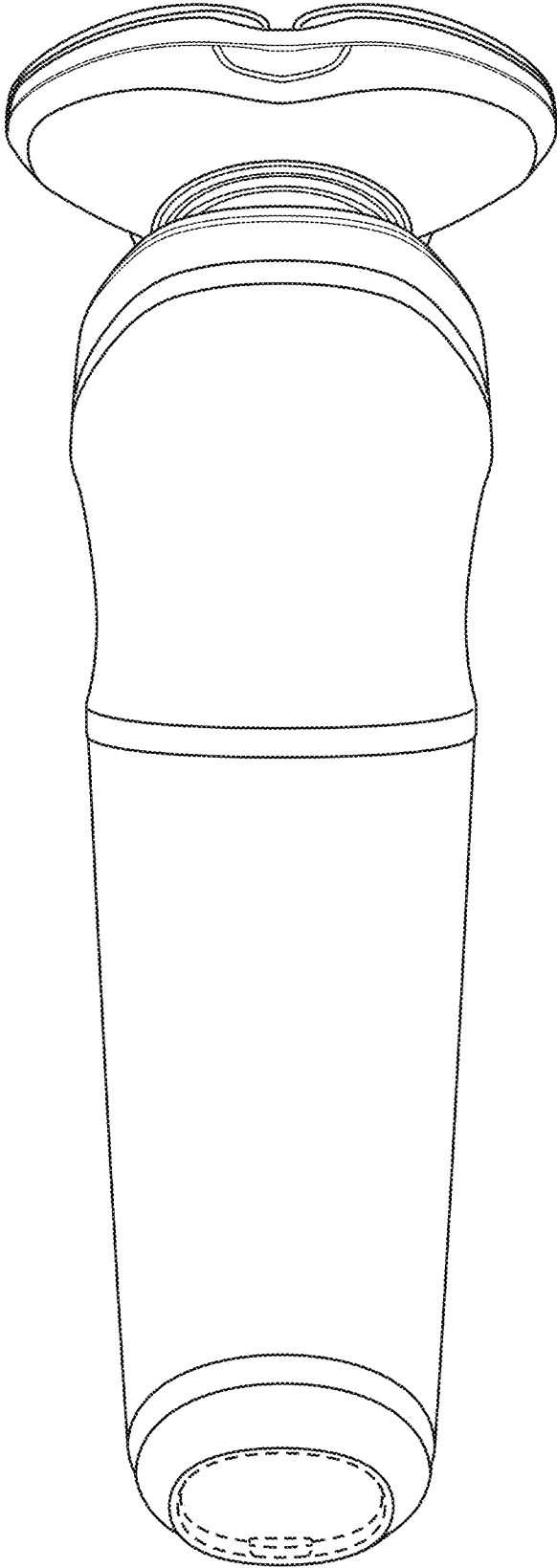


FIG. 52

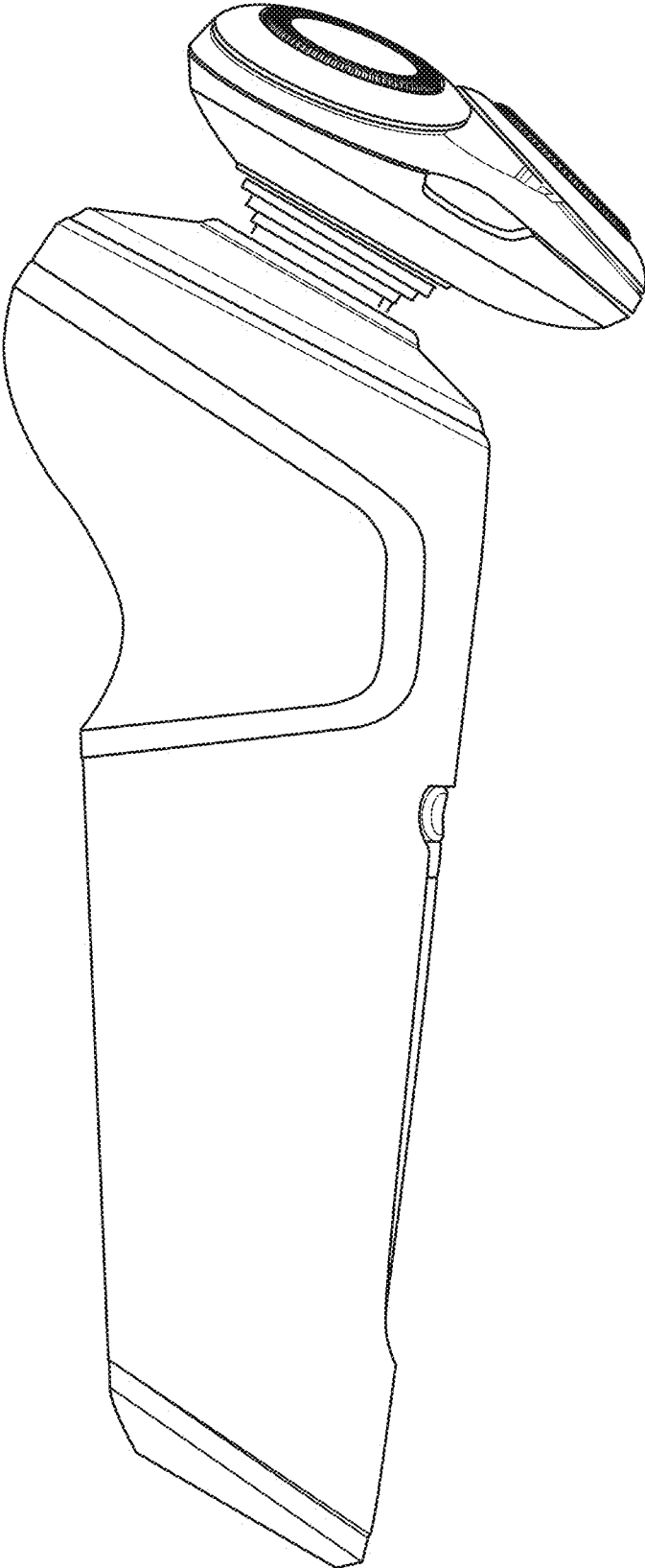


FIG. 53

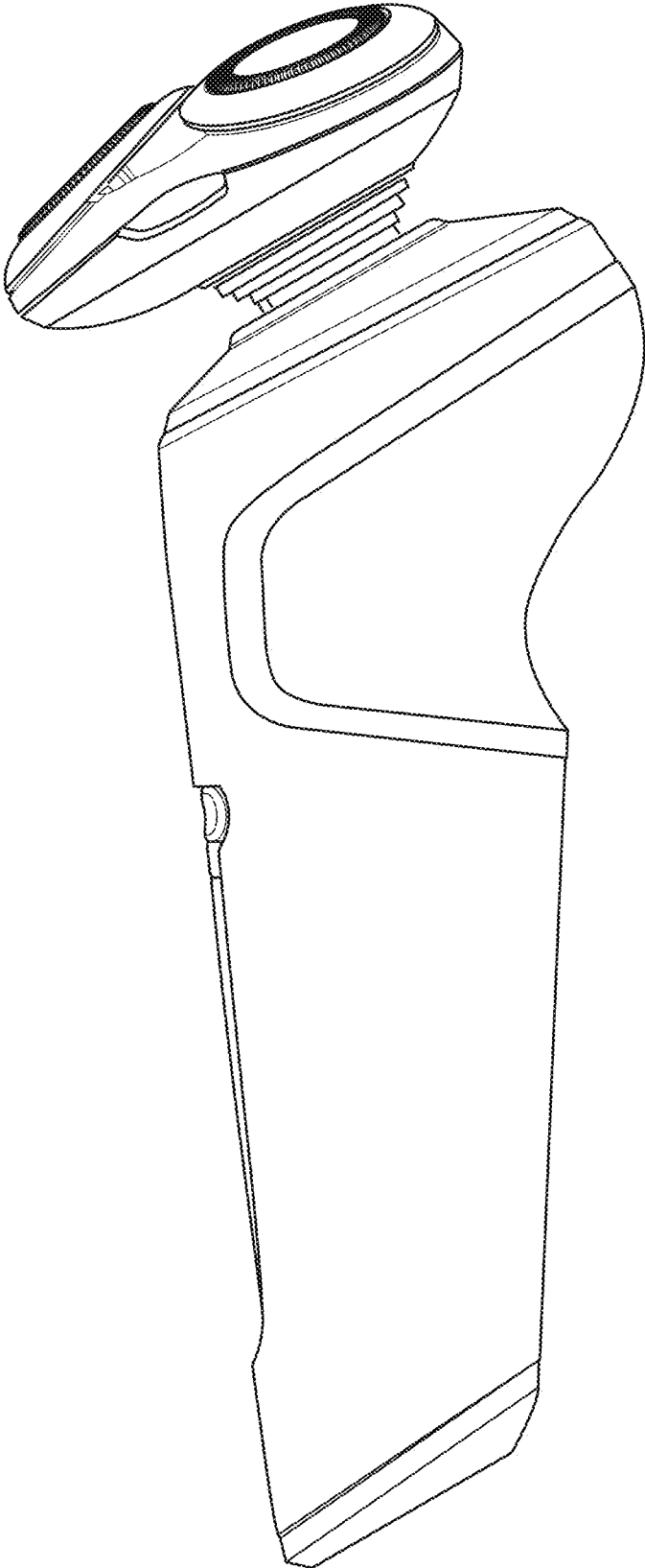


FIG. 54

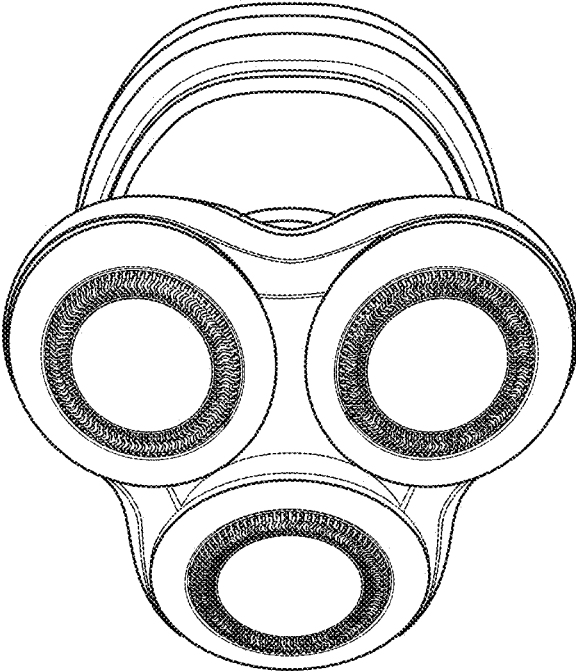


FIG. 55

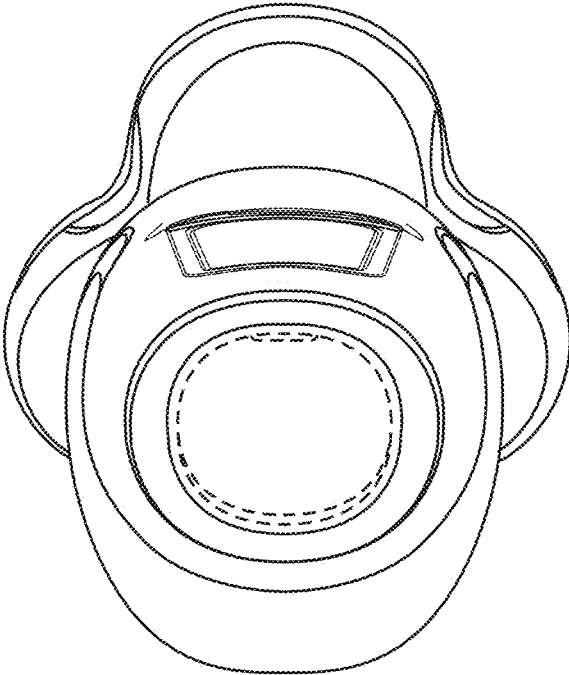


FIG. 56