



(12) **United States Design Patent**
Komorski

(10) **Patent No.:** **US D596,452 S**
(45) **Date of Patent:** **** Jul. 21, 2009**

(54) **PAN SUPPORT**

(76) Inventor: **Ed Komorski**, 300 W. Frech Ave.,
Manville, NJ (US) 08835

(**) Term: **14 Years**

(21) Appl. No.: **29/302,597**

(22) Filed: **Jan. 19, 2008**

(51) **LOC (9) Cl.** **07-01**

(52) **U.S. Cl.** **D7/388; D7/387**

(58) **Field of Classification Search** D7/387,
D7/388, 586, 366, 396.1, 624.1, 602, 624,
D7/625; D6/309, 403; D24/194, 197; D23/262;
188/218 XL; 248/346.01–346.03, 126, 127,
248/317, 318; D11/164; 99/419, 447, 450;
126/215; 219/732; 439/95, 11, 192; 285/1

See application file for complete search history.

(56)

References Cited

U.S. PATENT DOCUMENTS

1,375,539	A *	4/1921	Scott	99/447
3,062,369	A *	11/1962	Guy et al.	206/525
3,477,285	A *	11/1969	Bird et al.	73/767
3,594,945	A *	7/1971	Turney	446/48
D221,793	S *	9/1971	DePuy	D7/366
3,678,444	A *	7/1972	Stevens et al.	439/551
3,753,205	A *	8/1973	Tuger	439/192
D228,862	S *	10/1973	Beckman	D7/554.2
3,784,204	A *	1/1974	Felber	473/588
3,915,534	A *	10/1975	Yonkers	439/95
3,999,825	A *	12/1976	Cannon	439/192
4,008,937	A *	2/1977	Filippi	439/192
4,550,894	A *	11/1985	Barlics	248/346.01
4,660,921	A *	4/1987	Hauver	439/578
D290,674	S *	7/1987	Valov	D7/624.1
4,789,191	A *	12/1988	Dennis	292/347
4,906,207	A *	3/1990	Banning et al.	439/578
5,143,184	A *	9/1992	Snyder et al.	188/218 XL

D330,226	S *	10/1992	Rojas	D21/444
5,184,820	A *	2/1993	Keating et al.	473/588
5,281,878	A *	1/1994	Schaeffer	310/91
5,295,864	A *	3/1994	Birch et al.	439/578
5,499,427	A *	3/1996	Bowman	16/417
D369,941	S *	5/1996	Ramina	D7/387
5,837,339	A *	11/1998	Wood et al.	428/36.6
5,915,580	A *	6/1999	Melk	215/386
6,029,484	A *	2/2000	Jetton	70/371
D432,356	S *	10/2000	Hoff et al.	D7/402
D488,626	S *	4/2004	Kruger	D6/309
6,743,086	B2 *	6/2004	Nelson et al.	451/527
D495,465	S *	9/2004	Tepper et al.	D1/199
D504,249	S *	4/2005	Wagner	D6/403
6,880,859	B2 *	4/2005	Brey et al.	285/1
6,893,367	B1 *	5/2005	Nudo	473/588
D516,697	S *	3/2006	Stout et al.	D23/393
D530,525	S *	10/2006	Greene, II	D6/309
7,216,426	B2 *	5/2007	Borgstrom et al.	29/883
7,267,210	B2 *	9/2007	Cornolti et al.	188/218 XL
7,329,149	B2 *	2/2008	Montena	439/584

* cited by examiner

Primary Examiner—Robert M Spear
Assistant Examiner—Cynthia Underwood

(57)

CLAIM

I claim, the ornamental design for the pan support, as shown and described.

DESCRIPTION

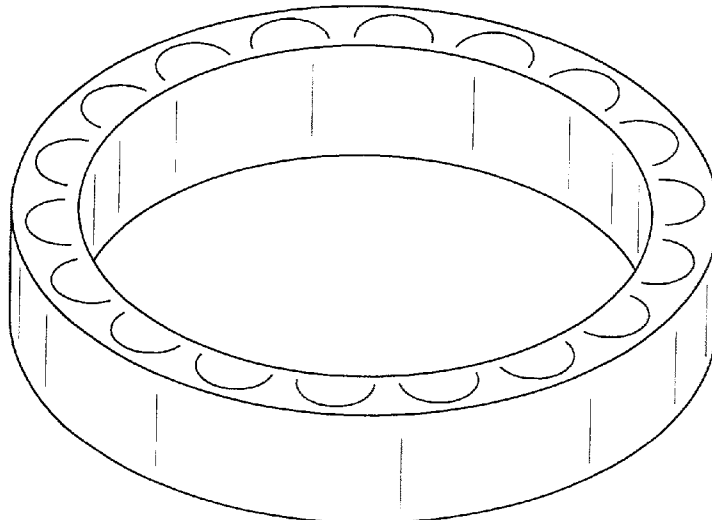
FIG. 1 is a front elevational view of the pan support showing my new design;

FIG. 2 is a rear elevational view of the pan support thereof;

FIG. 3 is a left-side elevational view of the pan support thereof; and,

FIG. 4 is a perspective view of the pan support thereof.

1 Claim, 2 Drawing Sheets



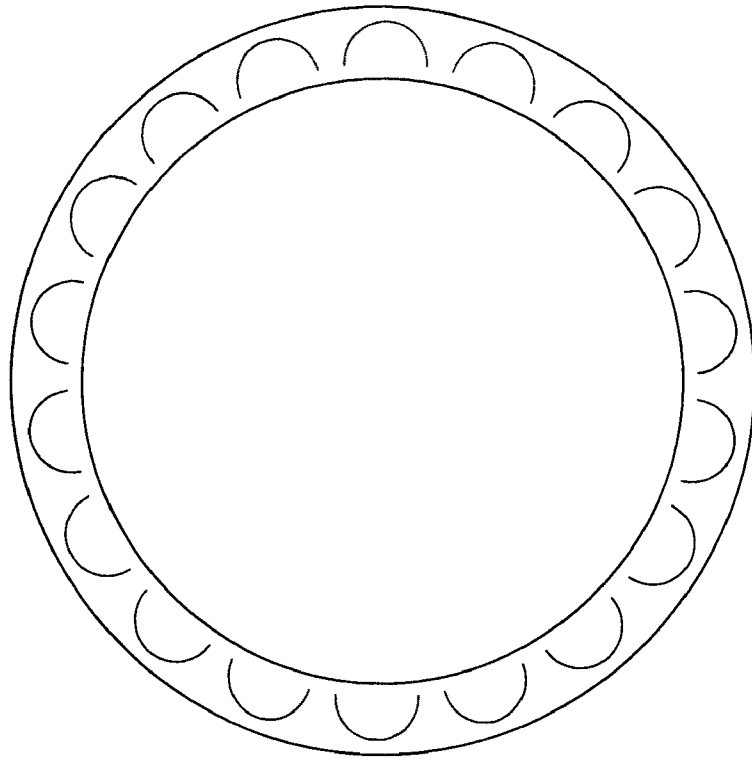


FIG. 1

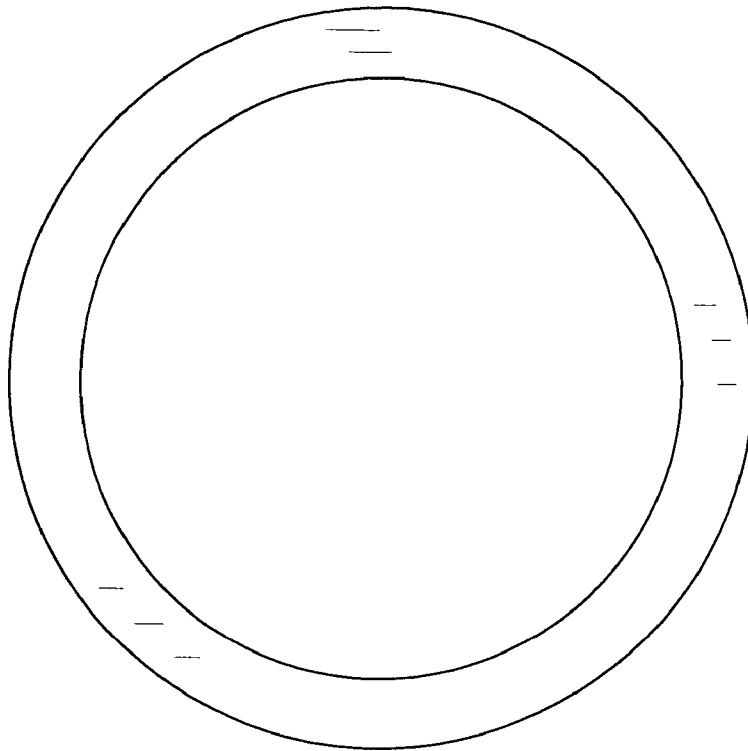


FIG. 2

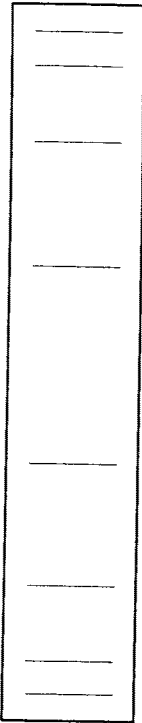


FIG. 3

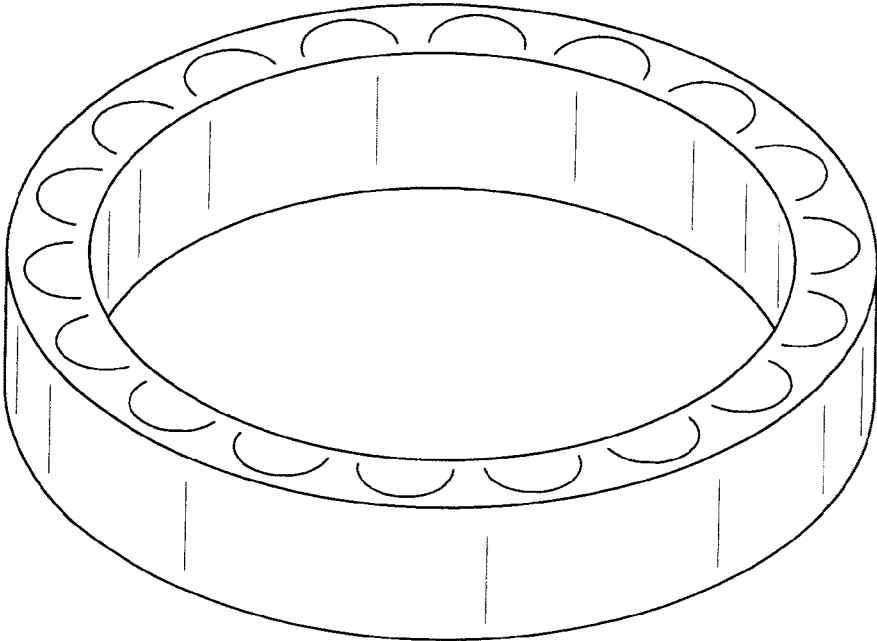


FIG. 4