



**HINGE DEVICE FOR DOORS, SHUTTERS OR THE LIKE****DESCRIPTION**Field of the invention

The present invention generally relates to the technical field of the closing hinges, and particularly relates to a hinge device for moving a closing element, such as a door, a shutter, a gate or the like, anchored to a stationary support structure, such as a wall, a frame, a supporting pillar and/or a floor.

Background of the invention

As known, the closing hinges generally comprise a movable element, usually fixed to a door, a shutter or the like, pivoted on a fix element, usually fixed to the frame thereof, or to a wall and/or to the floor.

From the documents US7305797, US2004/206007 and EP1997994 hinges are known in which the action of the closing means which ensure the return of the shutter to the closed position is not counteracted. From the document EP0407150 a door closing device is known which includes hydraulic damping means for counteracting the action of the closing means.

All these prior art devices are more or less bulky, and have therefore a unpleasant visual appeal.

Moreover, they do not allow the adjustment of the closing speed and/or the latch closing of the door, or in any case they do not allow a simple and quick adjustment.

Further, these prior art devices have a large number of constructive parts, so resulting difficult to manufacture as well as comparatively expensive, and they require a frequent maintenance.

Other prior art hinges are known from documents GB19477, US1423784, GB401858, WO03/067011, US2009/241289, EP0255781, WO2008/50989, EP2241708, CN101705775, GB1516622, US20110041285, WO200713776, WO200636044, WO200625663 and US20040250377.

These known hinges can be improved in terms of bulkiness and/or reliability and/or performances.

Summary of the invention

A main object of this invention is to overcome, at least in part, the above drawbacks, by providing a hinge device that has high performance, simple construction and low cost properties.

Another object of the invention is to provide a hinge device that has extremely low bulk.

Another object of the invention is to provide a hinge device which ensures the automatic closing of the door from the open position.

Another object of the invention is to provide a hinge device which ensures the controlled

movement of the door to which it is connected, upon its opening as well as upon its closing.

Another object of the invention is to provide a hinge device which can support even very heavy doors and door or window frame structure, without changing its behaviour and without need of adjustments.

Another object of the invention is to provide a hinge device which has a minimum number of constitutive parts.

Another object of the invention is to provide a hinge device which can keep the exact closing position in time.

Another object of the invention is to provide an extremely safe hinge device.

Another object of the invention is to provide a hinge device extremely easy to install.

Another object of the invention is to provide a hinge device which can be mounted on closing means which have right as well as left opening sense.

These and other objects, as better explained hereafter, are fulfilled by a hinge device having one or more of the features that are herein described and/or claimed and/or shown.

The hinge device may be employed for the rotating movement of a closing element, such as a door, a shutter or the like, which may be anchored to a stationary support structure such as for example a wall and/or the frame of a door or of a window and/or the wall.

Appropriately, the device may include a fixed element anchorable to the stationary support structure and a movable element anchorable to the closing element.

The fixed and the movable elements may be reciprocally coupled to rotate around a first longitudinal axis, which may be substantially vertical, between an open position and a closed position, corresponding to the positions of open and closed closing element.

As used herein, the terms "fixed element" and "movable element" are intended to indicate the one or more parts or components of the hinge device which, respectively, are designed to be fixed and movable during the normal use of the hinge device.

Advantageously, the device may comprise at least one slider slidably movable along a respective second axis between a compressed end position, corresponding to one between the closed and the open position of the movable element, and an extended end position, corresponding to the other between the closed and the open position of the movable element.

In a preferred, non-exclusive embodiment, the at least one slider and the movable element may be mutually coupled so that to the rotation of the movable element around the first axis corresponds to the sliding of the slider along the second axis and vice versa.

The first and the second axis may be reciprocally parallel or coincident. In the last case, the first and the second axis may define a single axis which acts as both rotation axis for the movable

element and sliding axis for the slider.

Appropriately, one between the movable and the fix elements may include at least one operating chamber defining the second longitudinal axis to slidably house the at least one slider, whereas the other between the movable element and the fix element may comprise a pivot defining the first rotation axis of the movable element.

Advantageously, the hinge device may include a generally box-like hinge body which may include the at least one operating chamber. The hinge body may have an elongated shape to define the first rotation axis of the movable element and/or the second sliding axis of the slider.

In a preferred, non-exclusive embodiment, the pivot may include an actuating member which cooperates with the at least one slider to allow the rotating movement of the movable element around the first axis.

As used herein, the expression "actuating member" and derivatives thereof is intended to indicate at least one mechanic member which, interacting with another mechanic member, is suitable for moving thereof of any motion and/or in any direction. Therefore, as used herein, the actuating member may be fix or may move of any motion and/or in any direction, provided that it is suitable to allow the rotating movement of the movable element around the first axis.

In another preferred, non-exclusive embodiment, the slider may include the actuating member, which may cooperate with the pivot to allow the rotating movement of the movable element around the first axis.

Appropriately, the at least one slider may be rotatably blocked in the at least one operating chamber, so as to avoid any rotation around the second axis during the sliding thereof between the compressed and extended end positions.

In a preferred, non-exclusive embodiment of the invention, the actuating member may include a cylindrical portion of the pivot or of the at least one slider.

Thanks to such configuration, the hinge device according to the invention allows the rotating movement of the closing element around the first longitudinal axis in a simple and effective way.

The bulkiness and the production costs result extremely moderate. Moreover, thanks to the minimum number of constitutive parts, the average life of the device is maximized, minimizing at the same time the maintenance costs.

Further, thanks to such configuration, the hinge device according to the invention may be indifferently mounted on closing elements having right as well as left opening senses.

In order to ensure the automatic closing of the door once it has been opened, the hinge device according to the invention may further include counteracting elastic means, for example one or more springs or a pneumatic cylinder, acting on the at least one slider to automatically return it

from one between said compressed and extended end positions towards the other between said compressed and extended end positions.

On the other side, independently from the presence or not of the counteracting elastic means, the slider of the hinge device according to the invention may include a plunger element movable in the at least one operating chamber along the second axis, the operating chamber including a working fluid, for example oil, acting on the plunger element to hydraulically counteract the action thereof, so as to adjust the rotation of the movable element from the open position to the closed position.

In this last embodiment, if the hinge device also includes the counteracting elastic means it acts as a hydraulic door closer or as a hydraulic hinge with automatic closing wherein the closing action of the counteracting elastic means is hydraulically damped by the working fluid.

If, on the contrary, the hinge device does not include the counteracting elastic means, it acts as an hydraulic brake to hydraulically damp the closing action which may be imparted to the closing element manually or by a further hinge, for example the hinge manufactured according to the teachings of the European patent EP-B1-2019895.

If, on the other hand, the device includes the counteracting elastic means but does not include the working fluid, the device acts as a mechanic door closer or hinge with automatic closing.

In any case, to adjust the closing angle of the closing element, the at least one operating chamber may possibly comprise at least one set screw having a first end interacting with the at least one slider and a second end operateable from the outside by a user to adjust the stroke of the slider along the second axis.

Preferably, the at least one operating chamber may include one couple of set screws placed in correspondence of the ends of the hinge body, so as to allow the double adjustment thereof.

Advantageously, one between the pivot and the at least one slider may have at least one groove inclined with respect to the first longitudinal axis, which defines at least partially the actuating member, whereas the other between the at least one slider and the pivot may be mutually coupled with the at least one groove. With this aim, at least one outwardly extending appendix may be provided, to slide in the at least one groove.

Preferably, at least one pair of equal grooves angularly spaced of 180° may be provided, with a respective pair of appendices each outwardly extending to slide in a respective groove.

Appropriately, the appendices may define a third axis substantially parallel to the first and/or to the second axis.

In a particularly preferred but non-exclusive embodiment of the invention, these grooves may be communicating between one another to define a single guide element passing through the

pivot or the slider, a first passing through pin being provided which is housed in the single guide element to define the appendices.

In order to ensure the maximum control of the closing element upon the closing as well as upon the opening of the closing element, each appendix may have at least one sliding portion in the respective groove which has an outer diameter substantially equal to the width of the respective groove.

Further, in order to minimize the vertical bulk, each groove may have at least one helical portion wound around the first axis defined by the pivot, which may be right-handed or left-handed.

Advantageously, the at least one helical portion may develop for at least 90° along the cylindrical portion of the pin, preferably for at least 180°, up to 360° and over.

In this manner, the actuating member is defined by a single spiral with two or more starts, with the first pin sliding within it. The first pin and the actuating member, therefore, are connected to one another by means of a helical primary pair wherein the pin translates and rotates during the interaction with the single guide element constituted by the spiral having two starts.

Advantageously, the single guide element may include only one single helical portion having constant slope.

In a first preferred embodiment, the single guide element is closed to both ends so as to define a closed path having two blocking end point for the first pin sliding therethrough. This configuration allows the maximum control of the closing element, both during opening and closing.

In another preferred embodiment the single guide element is closed to only one end so as to define a partly open path having one blocking end point for the first pin sliding therethrough and one open end point.

In order to have optimal vertical bulk, the at least one helical portion may have a pitch comprised between 20 and 100 mm, and preferably comprised between 30 and 80 mm.

As used herein, the expression “pitch” of the helical portion and derivatives thereof is intended to indicate the linear distance in millimetres between the initial point of the helical portion and the point where the helical portion makes a complete rotation of 360°, taken in correspondence of the central point of the helical portion along an axis parallel to the axis around which the helical portion winds.

In order to ensure a blocking point of the closing element along the opening/closing path thereof, each groove may have a flat portion before or after the helical portion, which may develop for at least 10° along the cylindrical portion, up to 180°.

This way, it is possible to block the closing element, for example in its open position.

The blocking points, and therefore the flat portions, may be more than one along the

opening/closing path of the closing element.

Advantageously, in order to further minimize the vertical bulks, the pivot and the slider may be telescopically coupled to each other.

Appropriately, one between the pivot and the at least one slider may include a tubular body to internally house at least one portion of the other between the pivot and the at least one slider.

The tubular body may have a cylindrical wall encompassing the portion of the other between the pivot and the at least one slider. The cylindrical wall and the portion of the other between the pivot and the at least one slider may be reciprocally connected to allow the sliding movement of the slider upon the rotation of the tubular body and vice versa.

In a preferred, non-exclusive embodiment of the invention, the pivot may include the tubular body, whereas the elongated body of the at least one slider may include a stem having its first end slidingly inserted in the tubular body, the latter including a cylindrical wall defining the cylindrical portion having the at least one inclined groove.

On the other side, in another preferred, non-exclusive embodiment of the invention, the elongated body of the at least one slider may include the tubular body, whereas the pivot may be housed within the at least one slider, the latter including a first end sliding in the at least one inclined groove of the pivot.

The counteracting elastic means, if present, may be configured to slidingly move along the second axis between a position of maximum and minimum elongation.

In a preferred, non-exclusive embodiment, the counteracting elastic means and the at least one slider may be reciprocally coupled so that the counteracting elastic means are in their position of maximum elongation in correspondence of the extended end position of the slider.

In this embodiment, the counteracting elastic means may be interposed between the cylindrical portion of the pivot and the second end of the at least one slider, which may be opposed to the first end.

This way, upon the opening of the closing element, the counteracting elastic means act on the second end of the at least one slider to return it back to its extended end position, returning at the same time the closing element back to its closed position. With this purpose, the at least one slider may include a radial expansion of the second end, whereas the counteracting elastic means may be contact engaged against the pivot. Alternatively or in combination with this feature, the counteracting elastic means may be housed internally to the pivot so as to act on the at least one slider in correspondence of its first end.

Also in this case, upon the opening of the closing element, the counteracting elastic means act on the at least one slider to return it back to its extended end position, returning at the same

time the closing element back to its closed position. With this aim, the counteracting elastic means may be contact engaged against an upper wall of the pivot and they may comprise a pushing member acting against the first end of the at least one slider.

In another preferred, non-exclusive embodiment of the invention, the counteracting elastic means and the at least one slider may be reciprocally coupled so that the counteracting elastic means are in the position of maximum elongation in correspondence of the compressed end position of the slider.

In such embodiment, the counteracting elastic means may be placed within the at least one operating chamber so as to act on the at least one slider in correspondence with the second end.

With this aim, the counteracting elastic means may be contact engaged against a lower wall of the at least one operating chamber, whereas the second end of the at least one slider may include the above mentioned radial expansion.

Advantageously, the hinge device according to the invention may further include one or more anti-friction elements, which may preferably be interposed between the movable element and the fixed element to facilitate the mutual rotation thereof.

Suitably, the anti-friction element may include at least one annular bearing, while the box-like hinge body may include at least one support portion to support said the annular bearing.

Suitably, the box-like hinge body may include at least one support portion susceptible to be loaded by the closing element through the movable element, the at least one support portion being designed to support the at least one anti-friction element.

Preferably, the at least one anti-friction element and the at least one support portion may be configured and/or may be in a mutual spaced relationship so that the movable element and the fixed element are spaced apart each other.

In a preferred embodiment of the invention, the above support portion may be a first support portion which is positioned in correspondence of at least one end of the box-like hinge body to be loaded by the closing element during use through the movable element. In this case, the annular bearing may be a first annular bearing, which may be of the radial-axial type, interposed between the first support end portion and the loading movable element.

It is understood that the first support portion may support one or more first annular bearings.

Preferably, the movable element has a loading surface susceptible to come into contact with said the first annular bearing in such a manner to rotate thereon.

In order to further minimize the mutual frictions, the first annular bearing and the first support end portion of the box-like hinge body may be configured and/or may be in a mutual spaced

relationship so that during use the loading movable element is spaced apart from said box-like hinge body.

Preferably, the hinge device of the invention may include a couple of first annular bearings positioned in correspondence of a respective couple of first support end portions positioned to both ends of said box-like hinge body. In this manner, the hinge device of the invention may be reversible, i.e. may be turned upside down by maintaining the same anti-friction property on both ends.

In a further preferred but non exclusive embodiment of the invention, the above at least one support portion may be a second support portion positioned within the working chamber to be loaded by said pivot during use. In this case, the above at least one annular bearing may be a second annular bearing, which may be of the axial type, interposed between the second support portion and the pivot.

It is understood that the second support portion may support one or more second annular bearings.

Preferably, the pivot may have a loading surface susceptible to come into contact with the second annular bearing in such a manner to rotate thereon.

In case of hinge device including the counteracting elastic means located within the working chamber but outside the pivot, the second support portion may be susceptible to separate said the working chamber into a first and second areas, the pivot and the second annular bearing being housed into the first area, the counteracting elastic means being housed in the second area.

Thanks to this configuration, no torsion action between the pivot and the counteracting elastic means may arise, since the two elements are mutually separated by the second support portion. Moreover, the counteracting elastic means have not loss of force due to frictions, since the pivot rotate on the annular bearing which is positioned onto the second support portion.

In this manner, an extremely performing hinge device can be provided.

Suitably, the counteracting elastic means may include a spring having one end interacting, preferably directly, with the second support portion.

In case of hinge device including the counteracting elastic means located within the pivot, the anti-friction element may be is an anti-friction interface member interposed between the counteracting elastic means and the slider.

Advantageously, the first end of the slider may have a round surface, the anti-friction interface member having a contact surface interacting with the rounded first end. Preferably, the anti-friction interface member may have a spherical or discoidal shape.

It is understood that the box-like hinge body may include both the first and the second support portions for supporting respectively the first and the second one or more annular bearings.

On the other hand, the box-like hinge body may include the first support portion or portions or the second support portion for supporting respectively the first or the second one or more annular bearings.

In order to rotatably block the at least one slider in the at least one operating chamber, the at least one slider may include an axial passing slot extending along the second longitudinal axis, whereas the device may further include a second pin radially inserted through the slot and anchored to the at least one operating chamber.

The second pin rotatable blocking the at least one slider into the at least one operating chamber may be different from the first pin for connecting the first end of the at least one slider to the inclined grooves of the pivot.

However, in a preferred, non-exclusive embodiment of the invention, the first pin defining the appendices of the at least one slider may coincide with the second pin rotatable blocking the at least one slider into the at least one operating chamber. In other words, in this embodiment the hinge device may include a single pin which fulfils both functions.

The plunger element of the at least one slider, if present, may comprise a pushing head designed to separate said at least one operating chamber into at least a first and a second variable volume compartments.

Appropriately, the first and the second variable volume compartments may be fluidically connected to each other and/or adjacent.

Moreover, the first and second variable volume compartments may be advantageously designed to have in correspondence of the closed position of the closing element respectively the maximum and the minimum volume.

In order to allow the flow of the working fluid from the first to the second compartment during the opening of the closing element, the pushing head of the plunger element may comprise a passing through hole so as to put into fluidic communication the first and the second compartment.

Furthermore, in order to prevent the backflow of the working fluid from the second compartment to the first one during the closing of the closing element, a check valve may be provided which interacts with the passing through hole of the pushing head, which valve may be preferably of the one-way normally closed type to open upon the opening of the closing element.

For the controlled backflow of the working fluid from the second compartment to the first one during the closing of the closing element, an appropriate hydraulic circuit may be provided.

In a preferred, non-exclusive embodiment, in which the plunger element may be housed with a predetermined clearance in the at least one operating chamber, this backflow hydraulic circuit may be defined by the interspace between the pushing head of the plunger element and the inner surface

of the at least one operating chamber.

In another preferred, non-exclusive embodiment of the invention, in which the plunger element may be tightly housed in the at least one operating chamber, the hinge body of the hinge device may comprise the hydraulic circuit for the controlled backflow of the working fluid.

Appropriately, this hydraulic circuit may have an inlet for the working fluid which is present into the second compartment and one or more outlets thereof in the first compartment, for example a first and a second outlets which may be fluidically connected to one another.

These first and second outlets may control and adjust, respectively, the speed of the closing element and its latch action towards the closed position.

For this purpose, the plunger element may comprise a substantially cylindrical rear portion facing the inner surface of the first compartment, which may remain decoupled from the first outlet of the at least one hydraulic circuit for the whole stroke of the plunger element.

On the other hand, the rear portion of the plunger element may be in a spatial relationship with the second outlet so that the second outlet remains coupled with the first outlet for a first initial part of the stroke of the plunger element and remains decoupled from the second outlet for a second final part of this stroke, so that the closing element latches towards the closed position when the movable element is in proximity of the fix element.

Appropriately designing the parts, it is possible to adjust the position of the latch action, which may be normally accomplished when the movable element is in a position comprised between  $5^\circ$  and  $15^\circ$  with respect to the closed position.

In order to adjust the flow of the working fluid from the second compartment to the first one during the closing of the closing element, the hinge body may have a first screw having a first end interacting with the first outlet of the hydraulic circuit and a second end operateable from the outside by a user.

In this way the user, appropriately operating on the second end of the first screw, acts on the first end thereof so that it progressively obstructs the first outlet, adjusting the speed with which the working fluid returns from the second to the first compartment.

On the other hand, for adjusting the force with which the closing element latches towards the closed position, the hinge body may have a second screw having a first end interacting with the second outlet of the hydraulic circuit and a second end operateable from the outside by a user.

This way the latter, appropriately operating on the second end of the second screw, acts on the first end thereof so that it progressively obstructs the second outlet, adjusting the latch speed of the closing element towards the closed position.

Advantageous embodiments of the invention are defined according to the dependent claims.

Brief description of the drawings

Further features and advantages of the invention will appear more evident upon reading the detailed description of some preferred, non-exclusive embodiments of a hinge device according to the invention, which are described as non-limiting examples with the help of the annexed drawings, in which:

**FIG. 1** is an exploded view of a first embodiment of the hinge device **1**;

**FIGS. 2a, 2b** and **2c** are respectively front, bottom and sectioned along a plane *IIc - IIc* views of the embodiment of the hinge device **1** of FIG. 1, with the movable element **10** in the closed position;

**FIGS. 3a, 3b** and **3c** are respectively front, bottom and sectioned along a plane *IIIc - IIIc* views of the embodiment of the hinge device **1** of FIG. 1, with the movable element **10** in the open position;

**FIGS. 4a** and **4b** are axonometric views of the assembly slider **20** – pivot **40** – spring **50** of the embodiment of the hinge device **1** of FIG. 1, wherein the slider **20** is respectively in the compressed and extended end positions;

**FIGS. 5a** and **5b** are axonometric views of the assembly slider **20** – pivot **40** – spring **50** of another embodiment of the hinge device **1**, wherein the counteracting elastic means **50** are interposed between the pivot **40** and the second end **23** of the slider **20**, and wherein the slider is respectively in the compressed and extended end positions;

**FIGS. 6a, 6b** and **6c** are axonometric views of the assembly slider **20** – pivot **40** of another embodiment of the hinge device **1**, wherein the slider **20** includes the grooves **43'**, **43''** which form the single guide element **46** and the pivot **40** includes the first pin **25** insertable into the single guide element **46**, respectively in an exploded configuration, in an assembled configuration with the slider **20** in the extended end position and in an assembled configuration with the slider **20** in the compressed end position;

**FIG. 7** is an exploded view of another embodiment of the hinge device **1**;

**FIGS. 8a, 8b** and **8c** are respectively front, bottom and sectioned along a plane *VIIIc - VIIIc* views of the embodiment of the hinge device **1** of FIG. 7, with the movable element **10** in the closed position;

**FIGS. 9a, 9b** and **9c** are respectively front, bottom and sectioned along a plane *IXc - IXc* views of the embodiment of the hinge device **1** of FIG. 7, with the movable element **10** in the open position;

**FIG. 10** is an exploded view of a further embodiment of the hinge device **1**;

**FIGS. 11a, 11b** and **11c** are respectively front, bottom and sectioned along a plane *XIc - XIc*

views of the embodiment of the hinge device **1** of FIG. 10, with the movable element **10** in the closed position;

**FIGS. 12a, 12b and 12c** are respectively front, bottom and sectioned along a plane *XIIc - XIIc* views of the embodiment of the hinge device **1** of FIG. 10, with the movable element **10** in the open position;

**FIGS. 13a and 13b** are sectional views of an embodiment of an assembly **100** for the controlled automatic closing of a closing element **D**, respectively in the closed and open position thereof, wherein the hinge **110** is configured according to the embodiment shown in FIGS. 1 to 3c and the hinge **120** is configured according to the embodiment shown in FIGS. 10 to 12c;

**FIGS. 14a and 14b** are sectional views of an embodiment of another assembly **100** for the controlled automatic closing of a closing element **D**, respectively in the closed and open position thereof, wherein both hinges **110** and **120** are configured according to the embodiment shown in FIGS. 10 to 12c, with in **FIGS. 14c and 14d** some enlarged particulars;

**FIG. 15** is an exploded view of a further embodiment of the hinge device **1**;

**FIGS. 16a, 16b and 16c** are respectively front, bottom and sectioned along a plane *XVIc - XVIc* views of the embodiment of the hinge device **1** of FIG. 15, with the movable element **10** in the closed position;

**FIGS. 17a, 17b and 17c** are respectively front, bottom and sectioned along a plane *XVIIc - XVIIc* views of the embodiment of the hinge device **1** of FIG. 15, with the movable element **10** in the open position;

**FIGS. 18a, 18b and 18c** are respectively front, back and axonometric views of the assembly slider **20** – pivot **40** (the spring **50** is internal to the pivot **40**) of the embodiment of the hinge device **1** of FIG. 15, wherein the slider **20** is in the compressed end position;

**FIGS. 19a, 19b and 19c** are views respectively frontal, back and axonometric of the assembly slider **20** – pivot **40** (the spring **50** is internal to the pivot **40**) of the embodiment of the hinge device **1** of FIG. 15, wherein the slider **20** is in the extended end position;

**FIG. 20** is an exploded view of a further embodiment of the hinge device **1**;

**FIGS. 21a, 21b and 21c** are respectively front, axonometric and sectioned along a plane *XXIc - XXIc* views of the embodiment of the hinge device **1** of FIG. 20, with the movable element **10** in the closed position;

**FIGS. 22a, 22b and 22c** are respectively front, axonometric and sectioned along a plane *XXIIc - XXIIc* views of the embodiment of the hinge device **1** of FIG. 20, with the movable element **10** in the open position;

**FIG. 23** is an exploded view of a further embodiment of the hinge device **1**;

**FIGS. 24a** and **24b** are respectively front and sectioned along a plane *XXIVb - XXIVb* views of the embodiment of the hinge device **1** of FIG. 23, with the movable element **10** in the closed position;

**FIGS. 25a** and **25b** are respectively front and sectioned along a plane *XXVb - XXVb* views of the embodiment of the hinge device **1** of FIG. 23, with the movable element **10** in the open position;

**FIGS. 26a, 26b, 26c** and **26d** are respectively an axonometric view, a top view, a view of the assembly slider **20** – pivot **40** and a sectioned view of another embodiment of an assembly **100** for the controlled automatic closing of a closing element **D**, in the closed position thereof, wherein the hinge **110** is configured according to the embodiment shown in FIGS. 23 to 25b and the hinge **120** is configured according to the embodiment shown in FIGS. 20 to 22c;

**FIGS. 27a, 27b, 27c** and **27d** are respectively an axonometric view, a top view, a view of the slider and a sectioned view of another embodiment of an assembly **100** for the controlled automatic closing of a closing element **D**, in the open position thereof, wherein the hinge **110** is configured according to the embodiment shown in FIGS. 23 to 25b and the hinge **120** is configured according to the embodiment shown in FIGS. 20 to 22c, with in **FIGS. 27e** and **27f** some enlarged particulars;

**FIG. 28** is an exploded view of a further embodiment of the hinge device **1**;

**FIGS. 29a** and **29b** are respectively front and sectioned along a plane *XXIXb - XXIXb* views of the embodiment of the hinge device **1** of FIG. 28, with the movable element **10** in the closed position;

**FIGS. 30a** and **30b** are respectively front and sectioned along a plane *XXXb - XXXb* views of the embodiment of the hinge device **1** of FIG. 28, with the movable element **10** in a partly open position;

**FIGS. 31a** and **31b** are respectively front and sectioned along a plane *XXXIb - XXXIb* views of the embodiment of the hinge device **1** of FIG. 28, with the movable element **10** in the fully open position;

**FIG. 32** is an exploded view of a further embodiment of the hinge device **1**;

**FIGS. 33a, 33b** and **33c** are respectively axonometric, sectioned along a plane *XXXIIIb - XXXIIIb* and sectioned along a plane *XXXIIIc - XXXIIIc* views of the embodiment of the hinge device **1** of FIG. 32, with the movable element **10** in the closed position;

**FIGS. 34a, 34b** and **34c** are respectively axonometric, sectioned along a plane *XXXIVb - XXXIVb* and sectioned along a plane *XXXIVc - XXXIVc* views of the embodiment of the hinge device **1** of FIG. 32, with the movable element **10** in the open position;

**FIGS. 35a** and **35b** are respectively axonometric and detailed views of another embodiment of an assembly **100** for the controlled automatic closing of a closing element **D**, in the closed position

thereof, wherein the hinge **110** is of the *per se* known type and the hinge **120** is configured according to the embodiment shown in FIGS. 32 to 34c;

**FIGS. 36a** and **36b** show axonometric views of a pivot **40** having respectively two blocking points **350**, **350'** for the pin **25** sliding through the closed path defined by the grooves **43**, **43'** and one blocking point **350** and one open end **350''**;

**FIG. 37** shows an enlarged view of some enlarged particulars of FIG. 2c;

**FIGS. 38a** and **38b** show respectively a top view and a radially sectioned view of the axial second annular bearing **250**;

**FIGS. 39a** and **39b** show respectively a top view and a radially sectioned view of the axial-radial first annular bearing **220**;

**FIG. 39c** shows an enlarged view of some enlarged particulars of FIG. 2c;

**FIG. 39d** and **39e** show respective enlarged views of some enlarged particulars of FIG. 43b;

**FIG. 40a** and **40c** show respectively an exploded view and an assembled view of a further embodiment of the invention, including the anti-rotation tubular bushing **300** encompassing the pivot **40**, the pin engaging both the single guide element **46** of the pivot **40** and the axial cam slots **310**;

**FIG. 40b** is a perspective view of the tubular bushing **300**;

**FIG. 41a** and **41b** show respectively an exploded view and an assembled view of a further embodiment of the invention, including the anti-rotation tubular bushing **300** encompassing the pivot **40**, the pin engaging both the single guide element **46** of the pivot **40** and the axial cam slots **310**;

**FIG. 41c** is an axially sectioned view of the assembly of FIG. 41b;

**FIG. 42a** is an exploded partly axially sectioned view of a further embodiment of the invention, in which the pivot **40** defines the fixed element and the hinge body **31** defines the movable element;

**FIG. 42b** is a perspective partly sectioned view of the hinge body **31** of the embodiment shown in FIG. 42a, clearly showing the second supporting portion **240**;

**FIGS. 43a**, **43b** and **43c** are respectively perspective, sectioned along a plane *XLIII b - XLIII b* and top views of a further embodiment of the hinge device according to the invention, in which the closing element **D** is in the closed position;

**FIGS. 44a**, **44b** and **44c** are respectively perspective, sectioned along a plane *XLIV b - XLIV b* and top views of the embodiment of the hinge device according to FIG. 43a, in which the closing element **D** is in the completely open position;

**FIGS. 45a** and **45c** are respectively a sectioned view along a plane *XLV a - XLV a* and a top one

of the embodiment of the hinge device according to FIG. 43a, in which the closing element **D** is in the latching position,

**FIG. 45b** shows an enlarged view of some enlarged particulars of FIG. 45a.

Detailed description of some preferred embodiments

Referring to the above mentioned figures, the hinge device according to the invention, generally indicated with **1**, is particularly suitable for rotatably moving a closing element **D**, such as a door, a shutter or the like, which may be anchored to a stationary support structure **S**, such as for instance a wall and/or a frame of a door or of a window and/or a supporting pillar and/or the floor.

Figures 1 to 45c show several embodiments of the hinge device **1**. Where not otherwise specified, similar or equal parts and/or elements are indicated with a single reference number, which means that the described technical features are common to all the similar or equal parts and/or elements.

All the embodiments shown herein include a movable element, which may include a movable connecting plate **10**, anchorable to the closing element **D**, and a fixed element, which may include a fixed connecting plate **11**, anchorable to the stationary support structure **S**.

The fix plate **11** and the movable plate **10** may be mutually coupled for rotating around a first longitudinal axis **X**, which may be substantially vertical, between an open position, shown for instance in figures 2c, 9c, 12c and 17c, and a closed position, shown for example in figures 2b, 9b, 12b and 17b, corresponding to the respectively closed or open positions of the closing element **D**.

In all the embodiments of the invention shown herein, the hinge device **1** may include at least one slider **20** movable along a respective second axis **Y** between a compressed end position, shown for instance in figures 4a, 5a and 6c, and an extended end position, shown for instance in figures 4b, 5b and 6b.

The first and the second axis **X**, **Y** may be reciprocally parallel, such as for example in the embodiments of the invention shown in figures from 32 to 34c, or coincident, such as for example in the embodiments of the invention shown in figures from 1 to 31b.

In this last case, the first and the second axis **X**, **Y** may define a single axis, indicated with  $X \equiv Y$ , which acts as both rotation axis for the movable plate **10** and sliding axis for the slider **20**.

In all the embodiments of the invention shown herein, the hinge device **1** may comprise at least one operating chamber **30** defining the second longitudinal axis **Y** to slidably house the respective slider **20**. On the other hand, the hinge device **1** may comprise two or more operating chambers **30**, **30'** each one defining a respective second longitudinal axis **Y**, **Y'** and comprising a respective slider **20**, **20'**, such as for instance in the embodiment of the invention shown in figures from 32 to 34c.

Each operating chamber **30** may be made within a hinge body **31**, which may have a generally box-like shape.

The slider **20** may include a body **21** elongated along the axis **Y**, with a first end **22** and a second opposed end **23**.

Of course, in the embodiments of the invention in which the first and the second axis **X**, **Y** coincide, the operating chamber **30** may be single and define the single axis  $X \equiv Y$ .

Advantageously, in all the embodiments of the invention shown herein, the hinge device **1** may comprise a pivot **40**, which may define the rotations axis **X** of the movable plate **10**.

Of course, in the embodiments of the invention wherein the first and the second axis **X**, **Y** coincide, the pivot **40** may define the single axis  $X \equiv Y$ , and may be at least partially housed in the operating chamber **30** so as to be coaxial with the operating chamber.

In some embodiments of the invention, as for example those shown in figures 1, 7 and 10, the movable element may include the pivot **40**, whereas the fix element may comprise the operating chamber **30**.

On the other hand, in other embodiments of the invention, such as the one shown in figure 28, the movable element may include the operating chamber **30**, whereas the fix element may include the pivot **40**.

Appropriately, the pivot **40** may comprise a portion **41** outgoing from the hinge body **31** for the coupling with the movable element **10** or with the stationary support structure **S** or with the closing element **D**.

Moreover, the pivot **40** may include a substantially cylindrical portion **42** internal to the hinge body **31** and suitable to cooperate with the slider **20** so that to the rotation of the movable element **10** around the first axis **X** corresponds the sliding of the slider **20** along the second axis **Y** and vice versa.

For this purpose, the cylindrical portion **42** of the pivot **40** may include at least one pair of grooves **43'**, **43''** equal to each other and angularly spaced of 180°. Appropriately, the grooves **43'**, **43''** may be communicating with one another so as to define a single guide element **46** passing through the cylindrical portion **42** of the pivot **40**.

In this way, it is possible to obtain a total control of the closing element **D** upon its opening as well as upon its closing, and to act on the spring **50** with extremely great force.

Moreover, the first end **22** of the slider **20** may include one pair of appendices **24'**, **24''** extending outwards from corresponding opposed parts thereof to slide each in a respective groove **43'**, **43''**. Appropriately, the appendices **24'**, **24''** may define a third axis **Z** substantially perpendicular to the first and second axis **X**, **Y**.

On the other side, as shown in the embodiment shown in the figures 6a, 6b and 6c, the slider **20** may comprise the cylindrical portion **42** with the grooves **43'**, **43''** communicating with each other so as to define the single guide element **46**, whereas the pivot **40** may include the elongated body **21** with the first end **22** including the appendices **24'**, **24''**.

It is to understand that the assembly pivot **40** - slider **20** shown in figures from 6a to 6c may equivalently replace the assembly present in all embodiments of the invention shown in figures from 1 to 5b and from 7 to 35b.

Advantageously, the appendices **24'**, **24''** may be defined by a first pin **25** passing through the slider **20** or the pivot **40** in proximity of the first end **22** and housed in the single guide element formed by the communicating grooves **43'**, **43''**. The first pin **25** may define an axis **Z** substantially perpendicular to the first and/or to the second axis **X**, **Y**.

In order to ensure the maximum control of the closing element **D** upon its opening and closing, each appendix **24'**, **24''** may have at least one sliding portion in the respective groove which has an outer diameter  $\varnothing_e$  substantially equal to the width  $L_s$  of the respective groove **43'**, **43''**. Even if for sake of simplicity this feature has been shown only in figure 4a, it is understood that it may be present in all the embodiments of the invention shown herein.

Furthermore, in order to minimize the vertical bulk, each groove **43'**, **43''** may have at least one helical portion **44'**, **44''** wound around the first axis **X** defined by the pivot **40**, which may be right-handed or left-handed.

Advantageously, the single guide element **46** may include a single helical portion **44'**, **44''** having constant slope.

Moreover, in order to have optimal bulk, each helical portion **44'**, **44''** may have a pitch comprised between 20 mm and 60 mm, and preferably comprised between 35 mm and 45 mm.

Appropriately, the slider **20** may be rotatably blocked in the respective operating chamber **30**, so as to avoid rotations around the axis **Y** during the sliding thereof between the compressed and extended end positions.

With this aim, the slider **20** may include a passing-through axial slot **26** extending along the axis **Y**, a second pin **27** radially housed into the slot **26** and anchored to the operating chamber **30** being further provided. The second pin **27** may define an axis **Z'** substantially perpendicular to the first and/or to the second axis **X**, **Y**.

As shown in the embodiments shown in the figures from 1 to 17c, the first pin **25** and the second pin **27** may be different from each other.

However, as for instance particularly shown in the figures from 20 to 34c, the hinge device **1** may include a single pin **25**  $\equiv$  **27**, which acts as both guide of the slider **20** during the sliding thereof

along the grooves **43'**, **43''** and rotating blocking element thereof. In this case, the axis **Z** may coincide with the axis **Z'**, so as to define a single axis  $Z \equiv Z'$ .

In order to minimize the vertical bulk of the hinge device **1**, the pivot **40** and the slider **20** may be telescopically coupled to one another.

For this purpose, one between the pivot **40** and the slider **20** may comprise a tubular body to internally house at least one portion of the other between the pivot **40** and the slider **20**.

In the embodiments wherein the pivot **40** internally houses the slider **20**, such as for example those shown in the figures from 1 to 5b and from 7 to 17c, the tubular body is defined by the cylindrical portion **42**, whereas the internally housed portion may be defined by the first end **22** which includes the first pin **25**. On the other side, in the embodiment shown in figures 6a, 6b and 6c, the tubular body is defined by the elongated body **21**, whereas the internally housed portion may be defined by the cylindrical portion **42** of the slider **20**.

In the embodiments wherein the slider **20** internally houses the pivot **40**, such as for example those shown in the figures from 20 to 25b, the tubular body is defined by the plunger element **60**, whereas the internally housed portion may be defined by the cylindrical portion **42** of the pivot **40**.

The assembly pivot **40** – operating chamber **30** - slider **20**, therefore, defines a mechanism wherein the three components are mutually coupled by means of lower pairs.

In fact, the pivot **40** and the operating chamber **30** are connected to each other by a revolute pair, so that the only reciprocal movement can be the rotation of the first one with respect to the other one around the axis **X**. It is understood that the pivot **40** may rotate with respect to the operating chamber **30** or vice versa.

The slider **20** is then connected to the pivot **40** and with the operating chamber **30** by means of respective prismatic pairs, so that the only reciprocal movement can be the sliding of the slider **20** along the axis **Y**.

Moreover, the pivot **40** and the slider **20** are connected to each other by means of a screw pair, so that to the rotation of the pivot **40** or of the operating chamber **30** around the axis **X** corresponds exclusively to the sliding of the slider **20** along the axis **Y**.

The extreme simplicity of the mechanism allows obtaining an exceptionally efficient, reliable and long-lasting hinge device, even under the hardest work conditions.

In order to ensure a blocking point of the closing element **D** along the opening/closing path thereof, as for example shown in the figures from 15 to 19c, each groove **43'**, **43''** may have a flat portion **45'**, **45''** after or before the portion with helical course **44'**, **44''**, which may wind for at least 10° along the cylindrical portion **42**, up to 180°.

In this way it is possible to block the closing element, for example in its open position.

Advantageously, as shown in FIGs. 1 to 35b and particularly shown in FIG. 36a, the single guide element **46** of the cylindrical portion **42** may be closed to both ends so as to define a closed path having two blocking end point **350**, **350'** for the first pin **25** sliding therethrough. The closed path is defined by the grooves **43'**, **43''**.

Thanks to this feature, it is possible to obtain the maximum control of the closing element **D**.

On the other hand, as shown in FIG. 36b, the single guide element **46** may be closed to only one end so as to define a partly open path having one blocking end point **350** for the first pin **25** sliding therethrough and one open end point.

In order to ensure the automatic closing of the door once opened, the hinge device **1** may further include counteracting elastic means, for example a spring **50**, acting on the slider **20** to automatically return it from one between the compressed and extended end position and the other between the compressed and extended end position.

For example, in the embodiment shown in figures from 1 to 4b, the spring **50** acts on the slider **20** to return it from the extended end position to the compressed end position, which represents the rest position or maximum elongation of the spring **50**.

On the other hand, in the embodiment shown in figures 5a and 5b, the spring **50** acts on the slider **20** in the exactly contrary way, returning it from the compressed end position to the extended end position, which represents the rest position or maximum elongation of the spring **50**.

Even if in the embodiments shown in figures from 1 to 22c and from 28 to 34c all hinge devices **1** include a single spring **50**, it is understood that the counteracting elastic means may include also more springs or alternative means, for example a pneumatic cylinder, without departing from the scope of the invention defined by the appended claims.

The spring **50** may have any position along the axis **Y**. For example, in the embodiment shown in figures from 1 to 4b it is interposed between the end **23** of the slider **20** and an abutment wall **35** of the chamber **30**.

On the other hand, it may be interposed between the pivot **40** and the end **23** of the slider **20**, such as for example in the embodiment shown in figures from 7 to 12c.

The spring **50** may be then internal to the pivot **40**, such as for example in the embodiment shown in figures from 15 to 22c.

In order to minimize the mutual frictions, the hinge device according to the invention may include at least one anti-friction element, which may be interposed between the movable and the fixed part of the hinge device.

Suitably, the at least one anti-friction element may include at least one annular bearing, while the box-like hinge body **31** may include at least one support portion to support the at least one

annular bearing.

All embodiments of the invention may include a first support portion **200** positioned in correspondence of an end **210** of the box-like hinge body **31** to be loaded by the closing element **D** during use through the movable plate **10**. The first support portion **200** is suitable to support a first annular bearing **220** interposed between the same first support end portion and the movable connecting plate **10**.

Suitably, the movable connecting plate **10** may have a loading surface **230** susceptible to come into contact with the first annular bearing **220**, in such a manner to rotate thereon.

The first annular bearing **220** which is positioned on the first support portion **200** of the hinge body **31** is suitable to support the load of the closing element **D**, so as to leave the pivot **40** free to rotate around the axis **X** with minimum friction. In other words, the pivot **40** is not loaded by the closing element **D**, which load is fully supported by the hinge body **31**.

To this end, the first annular bearing **220** is of the radial-axial type, so as to support both the axial and the radial load of the closing element **D**. In FIGs. 39a and 39b are shown a top and sectioned views of this kind of bearing.

In order to maximize the anti-friction effect, the first annular bearing **220** and the first support end portion **200** may be configured and/or in a mutual spaced relationship so that during use the movable element **10** is spaced apart from the box-like hinge body **31**, thus defining an interspace **360** as shown in FIG. 37. Indicatively, the interspace **360** may have a thickness **T** of about 0,5 mm.

The first annular bearing **220** may have a first outer diameter **D'** and a first height **H**, while the first support end portion **200** may be defined by a annular recess having a diameter substantially matching the first outer diameter **D'** of the first annular bearing **220** and a second height **h**.

Suitably, the first height **H** may be higher than the second height **h**. The thickness **T** of the interspace **360** may be defined by the difference between the first height **H** of the first annular bearing **220** and the second height **h** of the first support end portion **200**.

In some preferred, non-exclusive embodiment of the invention, the hinge body **31** may include a couple of first annular axial-radial bearings **220, 220'** positioned in correspondence of a respective couple of first support end portions **200, 200'** located at both ends **210, 210'** thereof.

In this manner, the hinge device of the invention may be reversible, i.e. may be turned upside down by maintaining the same anti-friction properties on both ends.

Suitably, the connecting plate **10** may include a couple of loading surfaces **230, 230'** each susceptible to come into contact with a respective first annular bearing **220, 220'** of said couple. In order to maximize the anti-friction effect, the first annular bearings **220, 220'** and the couple of first

support end portions **200**, **200'** may be configured and/or may be in a mutual spaced relationship so that the loading surfaces **230**, **230'** of the movable connecting plate **10** are both spaced apart from the box-like hinge body **31**, so as to define respective interspaces **360**, **360'** having thickness **T**.

Advantageously, the hinge device **1** of the invention may comprise a second support portion **240** within the working chamber **30** to be loaded by the pivot **40** during use. The second support portion **240** may support a second annular bearing **250** interposed between the same second support portion **240** and the pivot **40**.

The second annular bearing **250** may have a second outer diameter **D''** and a third height **H'**, while the second support end portion **240** may be defined by an annular projecting bracket having a maximum diameter **D'''** substantially matching the second outer diameter **D''** of the second annular bearing **250**. The second annular end portion may define a central bore **240'** suitable for the passage of the slider **20** and/or the first and/or second pin **25**, **27**.

Suitably, the pivot **40** may have a loading surface **260** susceptible to come into contact with the second annular bearing **250** in such a manner to rotate thereon.

Advantageously, the second annular bearing **250** may be of the axial type. In FIGs. 38a and 38b are shown a top and sectioned views of this kind of bearings. On the other hand, the second annular bearing **250** may be of the axial-radial type, as shown in FIG. 39d.

Without being bound by any theory, it is possible to establish that in the embodiments of the invention which include the tubular bushing **300** the second annular bearing **250** may be of the axial type, while in the embodiments of the invention which do not include the tubular bushing **300** the second annular bearing **250** may be of the radial-axial type.

In order to maximize the anti-friction effect, the second annular bearing **250** and the pivot **40** may be configured and/or may be in a mutual spaced relationship so that the pivot **40** remains spaced apart from the second support portion **240**, thus defining an interspace **360'** as shown in FIGS. 39c and 39d.

In this manner, no part of the pivot **40** is in contact with the hinge body **31**. In another words, the pivot **40** has both ends interposed between the first and the second annular bearings **220**, **250**.

FIG. 37 clearly shows that the upper part of the first annular bearing **220** is the only part in mutual contact with the loading surface **230** of the movable connecting plate **10**. Therefore, the load of the closing element **D** is fully supported by the hinge body **31**.

Moreover, in order to maximize the anti-friction effect, the pivot **40** and the first annular bearing **220** may be configured and/or may be in a mutual spaced relationship so that during use the upper end of the pivot **40** remains spaced apart from the second loading surface **230'** of the connecting plate **10**, thus defining an interspace **360''** as shown in FIG. 37. Indicatively, the interspace

**360''** may have a thickness **T''** of about 0,5 mm.

Thanks to this feature, the pivot **40** is completely free to rotate without any friction effect imparted by the load of the closing element **D**.

Moreover, the pivot **40** is also free from the friction effect imparted by the elastic means **50**, which "push" or "pull" the pivot against the second support portion **240**.

In the embodiments of the hinge device **1** that include the counteracting elastic means **50** located within the working chamber **30** outside the pivot **40**, such as the one shown in FIGs. 1, 7 and 10, the second support portion **240** may be susceptible to separate the working chamber **30** into a first and second areas **270, 270'**.

As particularly shown in FIGs. 42a and 42b, the pivot **40** and possibly the second annular bearing **250** may be housed into the first area **270**, while the counteracting elastic means **50** may be housed in the second area **270'**.

In this manner, the pivot **40** and the counteracting elastic means **50** are mutually separated by the second support portion **240**. Therefore, the rotation of the pivot **40** does not affect the action of the elastic means **50**, which work independently each other.

Moreover, the counteracting elastic means **50** have not loss of force due to frictions, since the pivot **40** rotate on the annular bearing **250** which is positioned onto the second support portion **240**.

In this manner, it is possible to use the full force of the elastic means **50** for all the path of the single guide element **46**.

For example, thanks to this feature it is possible to use a single guide element **46** including a single helical portion **44', 44''** having constant slope and extending for 180° along the cylindrical portion **42**, so as to obtain a closing element **D** which opens for 180°.

Advantageously, the counteracting elastic means **50** may include a spring **51** having one end **51'**.

Suitably, the end **51'** of the spring **51** may directly interact with the second support portion **240**. As an alternative, as e.g. shown in FIG. 1, a pressing element **51''** can be interposed between the end **51'** of the spring **51** and the second support portion **240**.

In case of hinge device **1** including the counteracting elastic means **50** located within the pivot **40**, such as the one shown in FIGs 15 and 20, the anti-friction element may be an anti-friction interface member **280** interposed between the counteracting elastic means **50** and the slider **20**.

Suitably, the first end **22** of the slider **20** has a round surface, while the anti-friction interface member **280** has a contact surface **290** interacting with the rounded first end **22**.

Advantageously, the anti-friction interface member **280** may have a spherical or discoidal

shape, such as respectively in the embodiments of FIGs 15 and 20.

Advantageously, the slider **20** may comprise a plunger element **60** movable in the operating chamber **30** along the axis **Y**. Appropriately, in some embodiments, such as for instance those shown in figures 20, 23 and 32, the slider **20** may be defined by the plunger element **60**.

Moreover, the chamber **30** may include a working fluid, for example oil, acting on the plunger element **60** to hydraulically counteract the action thereof, so as to control the action of the movable element **10** from the open to the closed position.

The presence of the plunger element **60** and of the oil may be independent from the presence of the counteracting elastic means **50**.

For example, the embodiments shown in figures from 1 to 5b do not include the plunger element **60** and the oil, whereas the embodiment shown in figure 23 does not include the counteracting elastic means **50** but include the plunger element **60** and of the oil. Therefore, whereas the first embodiments act as a hinge or a purely mechanical door closer with automatic system, the second embodiment acts as a hinge-hydraulic brake, to be possibly used with an automatic closing hinge.

Appropriately, the operating chamber **30** may preferably comprise a pair of set screws **32'**, **32''** housed in opposite parts **84'**, **84''** of the hinge body **31**.

Each set screw **32'**, **32''** may have a first end **33'**, **33''** interacting with the slider **20** to adjust its sliding along the axis **Y**. Each set screw **32'**, **32''** may further have a second end **34'**, **34''** operateable from outside by a user.

In this way, the user can easily adjust the closing angle of the closing element **D**.

On the other hand, the hinge device **1** may include the plunger element **60** as well as the relative oil and the counteracting elastic means **50**, such as for instance in the embodiments shown in figures from 7 to 19c. In this case, these hinge devices act as a hydraulic hinge or door closer with automatic closing.

Advantageously, the plunger element **60** may comprise a pushing head **61** configured to separate the operating chamber **30** a first and a second variable volume compartment **36'**, **36''**, preferably fluidically connected to one another and adjacent.

In order to allow the flow of the working fluid from the first compartment **36'** to the second compartment **36''** during the opening of the closing element **D**, the pushing head **61** of the plunger element **60** may comprise a passing through hole **62** to put into fluidic communication the first and the second compartment **36'**, **36''**.

Moreover, in order to prevent the backflow of the working fluid from the second compartment **36''** to the first compartment **36'** during the closing of the closing element **D**, valve

means may be provided, which may comprise a check valve **63**, which may preferably be of the one-way normally closed type to open exclusively upon the opening of the closing element **D**.

Advantageously, the check valve **63** may include a disc **90** housed with a minimum clearance in a suitable housing **91** to axially move along the axis **X** and/or **Y**, with a counteracting spring **92** acting thereon to keep it normally closed. Depending from the sense in which the check valve **63** is mounted, it may open upon the opening or closing of the closing element **D**.

For the controlled backflow of the working fluid from the second compartment **36''** to the first compartment **36'** upon the closing of the closing element **D**, an appropriate hydraulic circuit **80** may be provided.

In the embodiments shown in figures from 7 to 9c and from 15 to 17c, the plunger element **60** may be housed with a predetermined clearance in the operating chamber **30**. In these embodiments, the backflow hydraulic circuit **80** may be defined by the tubular interspace **81** between the pushing head **61** of the plunger element **60** and the inner surface **82** of the operating chamber **30**.

In this case, the return speed of the working fluid from the second compartment **36''** to the first compartment **36'** may be predetermined and not adjustable, defined in practice by the dimensions of the backflow interspace **81**. Moreover, it is not possible to have the latch action of the closing element **D** towards the closed position.

On the other hand, in the embodiments shown in figures from 10 to 12c, the plunger element **60** may be tightly housed in the operating chamber **30**. In this embodiment, the backflow circuit **80** may be made within the hinge body **31**.

In the embodiments shown in figures from 20 to 25b, for minimizing the bulk, the backflow circuit **80** may be made within the hinge body **31** and within the closing cap **83**.

In the embodiment shown in figures from 28 to 31b, the backflow circuit **80** is made within the interspace **81** between the pivot **40** and the inner surface **82** of the operating chamber **30**. With this aim, in correspondence of the closing cap **83**, an interface element **85** appropriately shaped to keep in its position the pivot **40** and to define the inlet **38** of the circuit **80** may be inserted.

In these embodiments, the backflow speed of the working fluid from the second compartment **36''** to the first compartment **36'** may be adjustable by means of the screw **71**, and further may be possibly possible to have the latch action of the closing element **D** towards the closed position. The force of the latch action is adjustable by means of the screw **70**.

For this purpose, the hydraulic circuit may have an inlet **38** for the working fluid present in the second compartment **36''** and one or more outlets thereof in the first compartment **36'**, respectively indicated with **39'**, **39''**, which may be fluidically connected in parallel.

The first and second outlets **39'**, **39''** may control and adjust, respectively, the speed of the closing element **D** and its latch action towards the closed position.

For this purpose, the plunger element **60** may comprise a substantially cylindrical rear portion **64** unitary sliding therewith and facing the inner surface of the first compartment **36'**, which may remain decoupled to the first outlet **39'** for the whole stroke of the plunger element **60**. In other words, the cylindrical rear portion **64** of the plunger element **60** does not obstruct the first outlet **39'** for its whole stroke.

On the other hand, the rear portion **64** of the plunger element **60** may be in a spatial relationship with the second outlet **39''** so that the second outlet is fluidly coupled with the rear portion **64** for a first initial part of the stroke of the plunger element **60** and is fluidly uncoupled therefrom for a second final part of this stroke, so that the closing element latches towards the closed position when the movable connecting plate **10** is in proximity of the connecting plate **11**.

In other words, the cylindrical rear portion **64** of the plunger element **60** obstructs the second outlet **39''** for a first initial part of its stroke and does not obstruct the second outlet **39''** for a second final part of its stroke.

Appropriately designing the parts, it is possible to adjust the latch position, which may normally take place when the movable element **10** is in a position comprised between  $5^\circ$  and  $15^\circ$  with respect to the closed position.

The screw **71** has a first end **72'** interacting with the first outlet **39'** to progressively obstruct it and a second end **72''** operateable from the outside by a user to adjust the flow speed of the working fluid from the second compartment **36''** to the first compartment **36'**.

On the other side, the screw **70** has a first end **73'** interacting with the second outlet **39''** to progressively obstruct it and a second end **73''** operateable from the outside by a user to adjust the force with which the closing element **D** latches towards the closed position.

Figure 1 shows a mechanical hinge with automatic closing, which includes the counteracting elastic means **50** but does not include any working fluid. In this case, the spring **50** acts by putting into traction or by compressing the slider **20**.

Figure 7 shows a hydraulic hinge with automatic closing, which includes counteracting elastic means **50** as well as the working fluid acting on the plunger element **60**. In this hinge the backflow circuit **80** of the working fluid into the first compartment **36'** is defined by the interspace **81**. The return speed is predetermined, and there is no possibility to have the latch action of the closing element **D**.

It is understood that in order to have the control of the speed in this last embodiment, it is necessary to tightly insert the plunger element **60** into the operating chamber **30** and to replace the

backflow circuit **80** by making it within the hinge body **31**, as for example in the embodiment of figure 10.

Moreover, if also the latch action of the closing element is desired, it is sufficient to mount on the plunger element **60** the cylindrical portion **64**, as for example in the embodiment of figure 10.

As particularly shown in figure 7, this embodiment has flat portions **45'**, **45''** which extend for 90° around the axis **X**, in correspondence of which the closing element remains blocked.

Figure 10 shows a hydraulic hinge with automatic closing, which includes the counteracting elastic means **50** as well as the working fluid acting on the plunger element **60**. In this hinge the backflow circuit **80** of the working fluid in the first compartment **36'** is made within the hinge body **31**. The return speed and the force of the latch action of the closing element **D** are adjustable by acting on the screws **70** and **71**.

As particularly shown in figure 7, this embodiment has flat portions **45'**, **45''** which extend for 90° around the axis **X**, in correspondence of which the closing element remains blocked.

In figures from 13a to 14b are schematically shown some embodiments of assemblies **100** for the controlled automatic closing of a closing element **D**, which include a pair of hinges **110** and **120**.

In the embodiment shown in figures 13a and 13b, which show respectively the closed and open position of the closing element **D**, the hinge **110** is constituted by the mechanical hinge shown in figure 1, whereas the hinge **120** is constituted by the hydraulic hinge shown in figure 10.

In other words, in this assembly the spring **50** of the two hinges **110** and **120** cooperates with each other to close the closing element **D** once opened, whereas the oil present in the hinge **120** hydraulically damps this closing action.

In this embodiment, by acting on the set screws **32'**, **32''** it is possible to adjust the opening and closing angle of the closing element **D**. In particular, by acting on the screw **32'** it is possible to adjust the closing angle of the closing element **D**, whereas acting on the screw **32''** it is possible to adjust the opening angle thereof.

Moreover, by appropriately acting on the screws **70** and **71** it is possible to adjust the closing speed and the force of the latch action of the closing element **D**.

In the embodiment shown in figures 14a and 14b, which show respectively the closed and open position of the closing element **D**, both hinges **110** and **120** are constituted by the hydraulic hinge shown in figure 10.

In practice, in this assembly the springs **50** of the two hinges **110** and **120** cooperate with each other so as to close the closing element **D** once opened, whereas the oil present in both hinges **110** and **120** hydraulically damps this closing action.

As particularly shown in the figures 14c e 14d, the two check valves **63** are mounted one in

one sense and the other one in the opposite sense.

In this way, the check valve **63** of the upper hinge **110** opens upon the opening of the closing element **D**, allowing the flow of the working fluid from the first compartment **36'** to the second compartment **36''**, and closes upon the closing of the closing element **D**, forcing the working fluid to flow through the backflow circuit **80**.

On the other side, the check valve **63** of the lower hinge **120** opens upon the closing of the closing element **D**, allowing the flow of the working fluid from the second compartment **36''** to the first compartment **36'**, and closes upon the opening of the closing element **D**, forcing the working fluid to flow through the backflow circuit **80**, which allows the flow of the working fluid from the first compartment **36'** to the second compartment **36''**.

In this way the maximum control on the closing element **D** is obtained, the movement of which is controlled upon its opening as well as upon its closing.

In this embodiment, acting on the screws **70** and **71** it is possible to adjust the closing speed and the force of the latch action of the closing element **D**.

Figure 15 shows a hydraulic hinge with automatic closing of the "anuba" type, which includes the counteracting elastic means **50** as well as the working fluid acting on the plunger element **60**. In this hinge the backflow circuit **80** of the working fluid in the first compartment **36'** is defined by the interspace **81**. The backflow speed is predetermined, and there is no possibility to have the latch action of the closing element **D**.

The pivot **40** has a portion **41** which is elongated to internally house the spring **50**.

It is understood that, in order to have the control of the speed in this embodiment, it is necessary to tightly insert the plunger element **60** in the operating chamber **30** and to replace the backflow circuit **80** by making it within the hinge body **31** and/or within the closing cap **83**, as for example in the embodiment of figure 20.

Furthermore, if also the latch action of the closing element is desired, it is sufficient to mount on the plunger element **60** the cylindrical portion **64** and to manufacture a suitable outlet of the circuit **80** in the compartment **36''**.

As particularly shown in the figures from 18a to 19c, this embodiment has two flat portions **45'**, **45''** extending for 180° around the axis **X**, in correspondence of which the closing element **D** is blocked.

Figure 20 shows a hydraulic hinge with automatic closing of the "anuba" type, which includes the counteracting elastic means **50** as well as the working fluid acting on the plunger element **60**.

The pivot **40** has an elongated portion **41** to internally include the spring **50**.

For bulkiness reasons, in this hinge the backflow circuit **80** of the working fluid in the first

compartment **36'** is made within the hinge body **31** and the closing cap **83**, within which the screw **71** for adjusting the closing speed of the closing element **D** is housed.

Moreover, if also the latch action of the closing element is desired, it is sufficient to mount on the plunger element **60** the cylindrical portion **64** and to manufacture a suitable outlet of the circuit **80** in the compartment **36''**.

As particularly shown in figure 20, this embodiment has flat portions **45'**, **45''** extending for 90° around the axis **X**, in correspondence of which the closing element **D** is blocked.

In this embodiment, the plunger element **60** acts also as a slider **20**, and is connected to the pivot **40** by means of a single pin **25≡27** which defines a single axis **Z≡Z'** substantially perpendicular to the single axis **X≡Y**.

Figure 23 shows a hinge – hydraulic brake of the “anuba” type, which includes the working fluid acting on the plunger element **60** but not the counteracting elastic means **50**. It is understood that this embodiment of the invention may include a little spring, not shown in the annexed figures, which helps the slider come back from one of the compressed and extended end position to the other of the compressed and extended end position.

Apart from this, this hinge is substantially similar to the hinge of figure 20, apart from the different orientation of the helical portions **44'**, **44''**, which is left-handed instead of right-handed, and from the fact that this embodiment does not include flat portions for the blocking of the closing element **D**.

It is also understood that it is possible to use a hinge having the counteracting elastic means **50** for hydraulically braking the closing element, during opening and/or during closing thereof according to the orientation of the valve means **63**.

For example, FIGs 14a to 14d show two hinges having the same orientation of the helical portions **44**, **44'** and valve means **63** acting in opposite senses.

Thanks to the counteracting elastic means **50**, both hinges automatically close the closing element **D** once opened.

During opening of the closing element, in the upper hinge **110** the oil passes from the compartment **36'** to the compartment **36''** through the valve means **63**, while in the lower hinge **120** the oil passes from the compartment **36'** to the compartment **36''** through the circuit **80**.

During closing of the closing element, in the upper hinge **110** the oil flows back from the compartment **36''** to the compartment **36'** through the circuit **80**, while in the lower hinge **120** the oil flows back from the compartment **36''** to the compartment **36'** through the valve means **63**.

As a result, the upper hinge **110** acts as a hydraulic brake during closing of the closing element, while the lower hinge **120** acts as a hydraulic brake during opening thereof.

It is understood that the upper and lower hinges **110**, **120** may be used also separate each other, as well as that each hinge can be used in cooperation with any other hinge and/or hydraulic brake.

Figures from 26a to 27d schematically show an embodiment of an assembly **100** for the controlled automatic closing and opening of the closing element **D**. Figures from 26a to 26d show the closed position of the closing element **D**, whereas figures from 27a to 27d show the open position thereof.

In this embodiment, the hinge **110** consists of the hinge – hydraulic brake shown in figure 23, whereas the hinge **120** is constituted by the hydraulic hinge shown in figure 20. The pivot **40** of the hinge **110** has right-handed helical portions **44'**, **44''**, whereas the pivot **40** of the hinge **120** has left-handed portions **44'**, **44''**.

As particularly shown in figures 27e and 27f, the two check valves **63** are mounted in the same sense.

In practice, in this assembly the spring **50** of the hinge **120** closes the closing element **D** once opened, whereas the oil in both hinges **110** and **120** hydraulically damps the closing element **D** upon its opening as well as upon its closing. In particular, the hinge – hydraulic brake **110** damps the closing element **D** upon its opening, whereas the hinge **120** damps the closing element **D** upon its closing.

Therefore, in this embodiment, by acting on the screws **71** of the hinges **110** and **120** it is possible to adjust the speed of the closing element **D** upon its opening as well as upon its closing.

For example, by closing to the utmost the screw **71** of the upper **110**, it is possible to completely prevent the opening of the closing element.

Moreover, by adjusting the oil quantity present in the hinge **110** and acting on the screw **71**, it is possible to adjust the point beyond which the damping action of the closing element **D** upon its opening begins. In this case, it is necessary to fill the chamber **30** with less oil than the actual capacity thereof.

In this way, it is possible for example to prevent the closing element **D** from impacting against a wall or a support, so preserving the integrity of the hinges.

Furthermore, by adjusting the oil quantity present in the hinge **110** and completely closing the screw **71**, it is possible to hydraulically create a stopping point to the closing element **D** upon its opening.

Figure 28 shows a hydraulic door closer with automatic closing, which includes the counteracting elastic means **50** as well as the working fluid acting on the plunger element **60**. This embodiment is particularly suitable to be slide-away housed in the closing element **D**, with the only

portion **41** of the pivot **40**, which acts as fix element **11**, outgoing from the closing element.

In this hinge the backflow circuit **80** of the working fluid in the first compartment **36'** is made within the interspace **81** between the pivot **40** and the inner surface **82** of the operating chamber **30** in the interface element **85**, within which the screw **71** for the adjusting of the closing speed of the closing element **D** is placed.

In this embodiment, the plunger element **60** acts as slider **20**, and it is connected to the pivot **40** by means of a single pin **25**≡**27** which defines a single axis **Z**≡**Z'** substantially parallel to the single axis **X**≡**Y**.

The pivot **40** has an elongated cylindrical portion to internally house the spring **50** and the slider **20** - plunger **60**. The latter is tightly housed within the pivot **40**.

Figure 32 shows a hydraulic door closer with automatic closing, which includes two sliders **20**, **20'** - plunger elements **60**, **60'** which slide along the respective axis **Y**, **Y'** in respective operating chambers **30**, **30'**. Respective springs **50**, **50'** may be provided.

The sliders **20**, **20'** - plunger elements **60**, **60'** may be operatively connected to the grooves of the single pivot **40**, which may be interposed therebetween for defining the axis **X**, by means of the single pin **25** ≡ **27** inserted into the slots **26**, **26'**.

By acting on the screw **71** it is possible to adjust the closing speed of the closing element **D**.

As shown in figure 35a, this embodiment is particularly indicated to automatically close gates or like closing elements. Figure 35b shows the load-bearing plate of the gate **D**, which has a thrust bearing **150** suitable to conduct the whole weight of the gate to the floor.

FIGs 40a to 45c show another embodiments of the invention, having a pivot **40** with a single constant slope helical portion **44'**, **44''** extending for 180° or more along the cylindrical portion **42**.

Advantageously, these embodiments of the hinge device **1** may comprise an antirotation tubular bushing **300** having a couple of cam slots **310** extending along the first and/or second axis **X**, **Y**. The tubular bushing **300** may be coaxially coupled externally to the pivot **40** in such a manner that the first pin **25** operatively engages the cam slots **310**.

In this manner, it is possible to have an optimal control of the closing element during opening and/or closing.

Apparently, all stresses of the rotation movement imparted by the pin **25** act on the pivot **40** and/or the tubular bushing **300**.

Therefore, advantageously, the material in which the tubular bushing **300** and/or the pivot **40** are made may be different from the material in which the hinge body **31** is made.

For example, the tubular bushing **300** and/or the pivot **40** may be made of a metallic material, e.g. steel, while the hinge body **31** may be made of a polymeric material. In this manner, a

very low-cost hinge device is provided.

These embodiments of the hinge device **1**, as well as the embodiments shown in the FIGs. 1 to 35b, may include one or more set screws **32'**, **32''** located at respective ends of the hinge body **31**. By operating on the set screws **32'**, **32''** a user can regulate the stroke of the slider **20**, thus adjusting the closing and opening angle of the closing element **D**.

FIGs. 40a to 40c show a first embodiment of a slider/pivot/tubular bushing/plunger assembly, in which the plunger **60** is mounted without the cylindrical portion **64**. This embodiment of the invention, once inserted into the hinge body **31**, does not allow to impart a latch action to the closing element **D**.

By contrast, FIGs. 41a to 41c show a second embodiment of a slider/pivot/tubular bushing/plunger assembly, in which the plunger **60** is mounted with the cylindrical portion **64**. This embodiment of the invention, once inserted into the hinge body **31**, allows to impart a latch action to the closing element **D**.

FIGs. 42a and 42b show an embodiment of the invention including the assembly of FIGs. 41a to 41c, wherein the fixed element **11** includes the pivot **40** and the movable element **10** includes the hinge body **31**. For example, the pivot **40** can be fixed to the floor by suitable fixing means, not shown in the figures since *per se* known.

FIGs 43a to 45c show another embodiment of the invention including the assembly of FIGs. 41a to 41c, wherein the pivot **40** is movable unitary with the connecting plate **10** and the closing element **D**, while the hinge body **31** is to be fixed to the stationary support **S**.

In particular, FIG. 45b is an enlarged view of the hinge device shown in FIGs 45a and 45c. in which the cylindrical rear portion **64** is fluidly uncoupled from the outlet **39''** so as to impart a latch action to the closing element **D** toward the closed position.

The above disclosure clearly shows that the invention fulfils the intended objects.

The invention is susceptible to many changes and variants, all falling within the inventive concept expressed in the annexed claims. All particulars may be replaced by other technically equivalent elements, and the materials may be different according to the needs, without departing the scope of the invention as defined by the annexed claims.

## CLAIMS

1. A hinge device for rotatably moving and/or controlling a closing element (**D**), such as a door, a shutter or the like, which is anchored to a stationary support structure (**S**), the device including:

- a fixed element (**11**) fixable to the stationary support structure (**S**);
- a movable element (**10**) anchored to the closing element (**D**), said movable element (**10**) and said fixed element (**11**) being mutually coupled to rotate around a first longitudinal axis (**X**) between an open position and a closed position;
- at least one slider (**20**) slidably movable along a respective second axis (**Y**) between a compressed end position, corresponding to one between the closed and the open position of the movable element (**10**), and an extended end position, corresponding to the other between the closed and the open position of the movable element (**10**), said first axis (**X**) and said second axis (**Y**) being reciprocally parallel or coincident to form a single axis;

wherein one between said movable element (**10**) and said fixed element (**11**) comprises a generally box-like hinge body (**31**) including at least one operating chamber (**30**) defining said second longitudinal axis (**Y**) to slidably house said at least one slider (**20**), the other between said movable element (**10**) and said fixed element (**11**) including a pivot (**40**) defining said first axis (**X**), said pivot (**40**) and said at least one slider (**20**) being mutually coupled in such a manner that the rotation of the movable element (**10**) around said first axis (**X**) corresponds to the sliding of the at least one slider (**20**) along said second axis (**Y**) and vice-versa,

wherein one of said pivot (**40**) and said slider (**20**) includes a cylindrical portion (**42**) having at least one pair of substantially equal grooves (**43'**, **43''**) angularly spaced of 180° each including at least one helical portion (**44'**, **44''**) wound around said first and/or said second axis (**X**, **Y**), said grooves (**43'**, **43''**) being communicating with each other to define a single guide element (**46**) passing through said cylindrical portion (**42**),

wherein the other between said pivot (**40**) and said slider (**20**) includes an elongated body (**21**) with at least one first end (**22**) which comprises a first pin (**25**) defining a third axis (**Z**) substantially perpendicular to said first and/or said second axis (**X**, **Y**), said first pin (**25**) being inserted through said single guide element (**46**) to slide therein, in such a manner to allow the mutual engagement of said cylindrical portion (**42**) and elongated body (**21**).

2. Hinge device according to claim 1, wherein said at least one slider (**20**) is rotatably blocked in said at least one operating chamber (**30**) to avoid rotation around said second axis (**Y**) during its sliding between said compressed and extended end positions.

3. Hinge device according to claim 1 or 2, wherein said first pin (**25**) has at least one portion

sliding into the respective groove (43', 43'') which has an outer diameter ( $\emptyset$ ) substantially equal the width ( $L_s$ ) of the respective groove (43', 43'').

4. Hinge device according to claim 1, 2 or 3, wherein said at least one helical portion (44', 44'') is right-handed, respectively left-handed.

5. Hinge device according to claim 1, 2, 3 or 4, wherein said at least one helical portion (44', 44'') extends for at least 90° along said cylindrical portion (42), and preferably for 180° along said cylindrical portion (42).

6. Hinge device according to claim 5, wherein said single guide element (46) includes a single helical portion (44', 44'') having constant slope.

7. Hinge device according to any one of the preceding claims, wherein said helical portion (44', 44'') has a pitch (P) between 20 mm and 100 mm, and preferably between 30 mm and 80 mm.

8. Hinge device according to any one of the preceding claims, wherein each groove (43', 43'') has a flat portion (45', 45'') before or after the helical portion (44', 44'').

9. Hinge device according to claim 9, wherein said flat portions (45', 45'') extend for at least 10° along said cylindrical portion (42).

10. Hinge device according to any one of the preceding claims, wherein said single guide element (46) is closed to both ends so as to define a closed path having two blocking end points (350, 350') for the first pin (25) sliding therethrough, the closed path being defined by said grooves (43', 43'').

11. Hinge device according to any one of the claims 1 to 9, wherein said single guide element (46) is closed to only one end so as to define a partly open path having one blocking end point (350) for the first pin (25) sliding therethrough and one open end point (350''), the closed path being defined by said grooves (43', 43'').

12. Hinge device according to one or more of the preceding claims, wherein said pivot (40) and said at least one slider (20) are telescopically coupled each other.

13. Hinge device according to claim 12, wherein one of said pivot (40) and said at least one slider (20) includes a tubular body (42, 60) encompassing at least one portion (22, 42) of the other between said pivot (40) and said at least one slider (20).

14. Hinge device according to claim 13, wherein said tubular body (42, 60) has a cylindrical wall (42, 60) susceptible to be faced to said at least one portion (22, 42) of the other between said pivot (40) and said at least one slider (20), one of said cylindrical wall (42, 60) and said at least one portion (22, 42) of the other between said pivot (40) and said at least one slider (20) including said cylindrical portion (42) having said single guide element (46), the other between said cylindrical wall (42, 60) and said at least one portion (22, 42) of the other between said pivot (40) and said at least

one slider (20) including said first end (22) reciprocally coupled with said single guide element (46).

15. Hinge device according to one or more of the preceding claims, wherein said pivot (40) includes said tubular body (42) for internally housing at least one portion (22) of said at least one slider (20).

16. Hinge device according to the preceding claim, wherein said tubular body (42) of said pivot (40) includes said single guide element (46), said at least one portion (22) of said at least one slider (20) including said first end (22) reciprocally coupled with said single guide element (46).

17. Hinge device according to claims 2, 6 and 16, wherein said single constant slope helical portion (44', 44'') extends for at least 180° along said cylindrical portion (42), the device further comprising an antirotation tubular bushing (300) having a couple of cam slots (310) extending along said first and/or second axis (X, Y), said tubular bushing (300) being coaxially coupled externally to said pivot (40) in such a manner that said first pin (25) operatively engages said cam slots (310).

18. Hinge device according to claim 17, wherein said tubular bushing (300) and/or said pivot (40) are made of a first material, said hinge body (31) being made of a second material different from said first material.

19. Hinge device according to claim 15, wherein said at least one portion (22) of said at least one slider (20) includes said single guide element (46), said tubular body (42) of said pivot (40) including said first end (22) reciprocally coupled with said single guide element (46).

20. Hinge device according to one or more of claims 1 to 14, wherein said at least one slider (20) includes said tubular body (60) for internally housing at least one portion (22) of said pivot (40).

21. Hinge device according to the preceding claim, wherein said tubular body (60) of said at least one slider (20) includes said single guide element (46), said at least one portion (22) of said pivot (40) including said first end (22) reciprocally coupled with said single guide element (46).

22. Hinge device according to claim 20, wherein said at least one portion (42) of said pivot (40) includes said single guide element (46), said tubular body (60) of said at least one slider (20) including said first end (22) reciprocally coupled with said single guide element (46).

23. Hinge device according to one or more of the preceding claims, wherein said movable element (10) includes said pivot (40), said fixed element (11) including said at least one working chamber (30).

24. Hinge device according to one or more of claims 1 to 22, wherein said movable element (10) includes said at least one working chamber (30), said fixed element (11) including said pivot (40).

25. Hinge device according to one or more of the preceding claims, wherein said elongated body (21) of said at least one slider (20) includes a second end (23) slidably moving between a position proximal to said cylindrical portion (42) of said pivot (40), corresponding to the compressed

position of said at least one slider (20), and a position distal from said cylindrical portion (42) of said pivot (40), corresponding to the extended position of the slider (20).

26. Hinge device according to one or more of the preceding claims, further comprising counteracting elastic means (50) acting on said at least one slider (20) for the automatic returning thereof from one of said compressed and extended end positions toward the other between said compressed and extended end positions.

27. Hinge device according to claim 26, wherein said counteracting elastic means (50) are configured to slidably move along said second axis (Y) between maximum and minimum elongation positions.

28. Hinge device according to claim 27, wherein said counteracting elastic means (50) and said at least one slider (20) are mutually coupled so that the former (50) are in the position of maximum elongation when the latter (20) is in the extended end position.

29. Hinge device according to claims 25 and 28, wherein said counteracting elastic means (50) are interposed between said cylindrical portion (42) of said pivot (40) and said second end (23) of said at least one slider (20).

30. Hinge device according to one or more of claims 26 to 28, wherein said counteracting elastic means (50) are placed internally to said pivot (40) to act on said at least one slider (20) in correspondence of said first end (22).

31. Hinge device according to one or more of the claims 26 to 28, wherein said counteracting elastic means (50) and said at least one slider (20) are mutually coupled so that the former (50) are in the maximum elongation position when the latter (20) is in the compressed end position.

32. Hinge device according to claim 31, wherein said counteracting elastic means (50) are placed internally to said at least one working chamber (30) to act on said at least one slider (20) in correspondence of said second end (23).

33. Hinge device according to one or more of the preceding claims, further including at least one anti-friction element (220, 220', 250).

34. Hinge device according to claim 33, wherein said at least one anti-friction element (220, 220', 250) is interposed between said movable element (10) and said fixed element (11) to facilitate the mutual rotation thereof.

35. Hinge device according to claim 34, wherein said box-like hinge body (31) includes at least one support portion (200, 200', 240) susceptible to be loaded by said closing element (D) through said movable element (10), said at least one support portion (200, 200', 240) being designed to support said at least one anti-friction element (220, 220', 250).

36. Hinge device according to claim 35, wherein said at least one anti-friction element (**220**, **220'**, **250**) and said at least one support portion (**200**, **200'**, **240**) are configured and/or are in a mutual spaced relationship so that the movable element (**10**) and the fixed element (**11**) are spaced apart each other.

37. Hinge device according to any of the claims 33 to 36, wherein said at least one anti-friction element includes at least one annular bearing (**220**, **220'**, **250**).

38. Hinge device according to claims 35 and 37 or 36 and 37, wherein said at least one support portion includes at least one first support portion (**200**, **200'**) positioned in correspondence of at least one end (**210**, **210'**) of said box-like hinge body (**31**) to be loaded by the closing element (**D**) through said movable element (**10**), said at least one annular bearing including at least one first annular bearing (**220**, **220'**) interposed between said at least one first support end portion (**200**, **200'**) and said movable element (**10**).

39. Hinge device according to claim 38, wherein said movable element includes a movable connecting plate (**10**) with at least one loading surface (**230**, **230'**) susceptible to come into contact with said at least one first annular bearing (**220**, **200'**) in such a manner to rotate thereon.

40. Hinge device according to claim 39, wherein said at least one first annular bearing (**220**) and said at least one first support end portion (**200**) of said box-like hinge body (**31**) are configured and/or are in a mutual spaced relationship so that the at least one loading surface (**230**, **230'**) of said movable connecting plate (**10**) is spaced apart from said box-like hinge body (**31**).

41. Hinge device according to claim 39 or 40, wherein said pivot (**40**) and said at least one first annular bearing (**220**) are configured and/or are in a mutual spaced relationship so that the pivot (**40**) is spaced apart from the at least one loading surface (**230**, **230'**) of said movable connecting plate (**10**).

42. Hinge device according to any of the claims 38 to 41, wherein said at least one first annular bearing (**220**) is of the radial-axial type.

43. Hinge device according to any of the claims 38 to 42, including a couple of first annular bearings (**220**, **220'**) positioned in correspondence of a respective couple of first support end portions (**200**, **200'**) located at both ends (**210**, **210'**) of said box-like hinge body (**31**).

44. Hinge device according to claim 43, wherein said connecting plate (**10**) includes a couple of loading surfaces (**230**, **230'**) each susceptible to come into contact a respective first annular bearing (**220**, **200'**) of said couple, said couple of first annular bearings (**220**, **220'**) and said couple of first support end portions (**200**, **200'**) of said box-like hinge body (**31**) being configured and/or being in a mutual spaced relationship so that the loading surfaces (**230**, **230'**) of said movable connecting plate (**10**) are both spaced apart from said box-like hinge body (**31**).

45. Hinge device according to one or more of the claims 35 to 44, wherein said at least one support portion (200, 200', 240) includes at least one second support portion (240) positioned within said at least one working chamber (30) to be loaded by said pivot (40), said at least one annular bearing including at least one second annular bearing (250) interposed between said at least one second support portion (240) and said pivot (40).

46. Hinge device according to claim 45, wherein said pivot (40) has a loading surface (260) susceptible to come into contact with said at least one second annular bearing (250) in such a manner to rotate thereon.

47. Hinge device according to claim 45 or 46, wherein said at least one second annular bearing (250) and said pivot (40) are configured and/or are in a mutual spaced relationship so that said pivot (40) is spaced apart from at least one said second support portion (240).

48. Hinge device according to claims 38 and 45, wherein said pivot (40) is interposed between said at least one first annular bearing (220) and said at least one second annular bearing (250).

49. Hinge device according to claim 48, wherein the loading surface (260) of said pivot (40) is in contact with said at least one second annular bearing (250), said at least one first annular bearing (220) having a lower surface in contact with said pivot (40).

50. Hinge device according to claims 26, 45 and possibly one or more of the claims 27 to 44 and 46 to 49, wherein said at least one second support portion (240) is susceptible to separate said at least one working chamber (30) into a first and second areas (270, 270'), said pivot (40) being housed into said first area (270), said counteracting elastic means (50) being housed in said second area (270').

51. Hinge device according to claim 50, wherein said counteracting elastic means (50) includes a spring (51) having one end (51') interacting with said at least one second support portion (240).

52. Hinge device according to the preceding claim, wherein the end (51') of said spring (51) acts on said at least one second support portion (240).

53. Hinge device according to the one or more of the claims 45 to 52, wherein said at least one second annular bearing (250) is of the axial or radial-axial type.

54. Hinge device according to one or more of the claims 33 to 53, wherein said at least one anti-friction element includes at least one anti-friction interface member (280) interposed between said counteracting elastic means (50) and said at least one slider (20).

55. Hinge device according to claim 54, wherein said first end (22) of said at least one slider (20) has a round surface, said at least one anti-friction interface member (280) having a contact

surface (290) interacting with said rounded first end (22).

56. Hinge device according to claim 55, wherein said at least one anti-friction interface member (280) has a spherical or disc-like shape.

57. Hinge device according to one or more of the preceding claims, wherein said slider (20) further includes a second pin (27) defining a fourth axis (Z') substantially perpendicular to said first axis and/or said second axis (X, Y) anchored to said at least one working chamber (30) to rotatably block said at least one slider (20), said second pin being radially inserted into an elongated slot (26) substantially parallel to said first axis (X) and/or said second axis (Y) to allow the sliding of said slider (20).

58. Hinge device according to claim 57, wherein said slider (20) includes said slot (26).

59. Hinge device according to claims 57 or 58, wherein said first pin (25) coincides with said second pin (27) to define a single pin (25≡27) susceptible to both define said appendices (24', 24'') and rotatably block said at least one slider (20) in said at least one working chamber (30), said third axis (Z) coinciding with said fourth axis (Z') to define a single axis (Z=Z') substantially perpendicular to said first and/or said second axis (X, Y).

60. Hinge device according to one or more of the preceding claims, wherein said at least one slider (20) includes a plunger element (60) movable into said at least one working chamber (30) along said second axis (Y), said at least one working chamber (30) including a working fluid acting on said plunger element (60) to hydraulically counteract the action thereof, so as to control the rotation of the movable element (10) from the open position toward the closed position.

61. Hinge device according to claim 60, wherein said plunger element (60) includes a pushing head (61) configured to separate said at least one working chamber (30) into at least one first and second variable volume compartments (36', 36'').

62. Hinge device according to claim 61, wherein said at least one first and second variable volume compartments (36', 36'') are fluidically communicating with each other.

63. Hinge device according to claim 61 or 62, wherein said at least one first and second variable volume compartments (36', 36'') are reciprocally adjacent.

64. Hinge device according to claim 62 or 63, wherein said at least one first and second variable volume compartments (36', 36'') are configured to have at the closed position of the closing element (D) respectively the maximum and the minimum volume.

65. Hinge device according to claim 63 or 64, wherein said at least one first and second variable volume compartments (36', 36'') are configured to have at the closed position of closing element (D) respectively the minimum and the maximum volume.

66. Hinge device according to one or more of claims 61 to 65, wherein said pushing head

(61) of the plunger element (60) includes a passing-through opening (62) to put into fluidic communication said first and said second variable volume compartments (36', 36'') and valve means (63) interacting with said opening (62) to allow the passage of the working fluid between said first compartment (36') and said second compartment (36'') during one between the opening and closing of the closing element (D) and to prevent the backflow thereof during the other between the opening and the closing of the same closing element (D).

67. Hinge device according to claim 66, wherein said valve means (63) are configured to allow the passage of the working fluid from said first compartment (36') to said second compartment (36'') during the opening of the closing element (D) and to prevent the backflow thereof during the closure of the same closing element (D).

68. Hinge device according to claim 66, wherein said valve means (63) are configured to allow the passage of the working fluid from said second compartment (36'') to said first compartment (36') during the closing of said closing element (D) and to prevent the backflow thereof during the opening of the same closing element (D).

69. Hinge device according to claim 66, 67 or 68, wherein said valve means (63) are of the one-way normally closed type.

70. Hinge device according to claim 66, 67, 68 or 69, wherein said valve means (63) includes a disc (90) interacting with said opening (62) inserted with minimum clearance in a receptacle (91) to axially move along said first axis (X) and/or said second axis (Y), a counteracting spring (92) being provided acting on said disc (90) to maintain it normally closed.

71. Hinge device according to one or more of claims 67 to 70, further comprising a hydraulic circuit (80) for the controlled backflow of said working fluid between said first compartment (36') and said second compartment (36'') during the other between the opening and the closing of the same closing element (D).

72. Hinge device according to claim 71, wherein said plunger element (60) is inserted with clearance in said at least one working chamber (30), the interspace (81) between said pushing head (61) of said plunger element (60) and the inner surface (82) of said at least one working chamber (30) defining said hydraulic circuit (80).

73. Hinge device according to claim 57 and 72 or 58 and 72, wherein said hinge body (31) includes said slot (26) for the sliding of said slider (20).

74. Hinge device according to claims 60 and 72 or 60 and 73, wherein said plunger element (60) is tightly inserted into said at least one working chamber (30).

75. Hinge device according to claim 72 and 74 or 73 and 74, wherein said hinge body (31) includes at least partially said hydraulic circuit (80).

76. Hinge device according to claim 75, wherein said hinge body (31) includes at least one end cap (83) including at least partially said hydraulic circuit (80).

77. Hinge device according to claim 75 or 76, wherein said hydraulic circuit (80) has at least one inlet (38) for the working fluid which is in said second compartment (36'') and at least one first outlet (39') thereof into said first compartment (36').

78. Hinge device according to claims 76 and 77, wherein said at least one end cap (83) is placed in correspondence of said second compartment (36''), said at least one end cap (83) including said at least one inlet (38) of said circuit (80).

79. Hinge device according to claim 77 or 78, wherein said hydraulic circuit (80) has a second outlet (39'') in said first compartment (36').

80. Hinge device according to claim 79, wherein said plunger element (60) tightly housed in said at least one working chamber (30) includes a cylindrical rear portion (64) unitary sliding therewith, said cylindrical rear portion (64) of said plunger element (60) being in a spaced relationship with said first and second outlet (39', 39'') of said circuit (80) such as to remain fluidly uncoupled from said first outlet (39') during the whole stroke of said plunger element (60) and such as to remain fluidly coupled with said second outlet (39'') for an initial part of said stroke and to be fluidly uncoupled therefrom (39'') for a final second part of said stroke, so as to impart a latch action to the closing element (D) toward the closed position when the movable element (10) is in the proximity of the fixed element (11).

81. Hinge device according to claim 79 or 80, wherein said first and said second outlets (39', 39'') of said circuit (80) are fluidically connected each other in parallel.

82. Hinge device according to one or more of claims 77 to 81, wherein said hinge body (31) has at least one first adjustment screw (71) having a first end (72') interacting with said first outlet (39') of said hydraulic circuit (80) and a second end (72'') operateable by a user from the outside to adjust the flow speed of said working fluid from said second compartment (36'') to said first compartment (36') during the closing of the closing element (D).

83. Hinge device according to one or more of claims 79 to 82, wherein said hinge body (31) has a second adjustment screw (70) having a first end (73') interacting with said second outlet (39'') of said hydraulic circuit (80) and a second end (73'') operateable by a user from the outside to adjust the force by which the closing element (D) latches towards the closed position.

84. Hinge device according to one or more of the preceding claims, wherein said at least one working chamber (30) further includes at least one set screw (32', 32'') having a first end (33', 33'') interacting with said at least one slider (20) and a second end (34', 34'') operateable by a user from the outside to regulate the stroke thereof along said second axis (Y), thus adjusting the closing

and/or opening angle of said closing element (**D**).

85. Hinge device according to claim 84, wherein said at least one working chamber (**30**) includes one couple of set screws (**32'**, **32''**) located at the opposite ends (**84'**, **84''**) of said at least one working chamber (**30**).

86. Hinge device according to one or more of the preceding claims, comprising a single working chamber (**30**) susceptible to housing a single slider (**20**) sliding along a respective second axis (**Y**).

87. Hinge device according to claim 87, wherein said second axis (**Y**) coincides with said first axis (**X**) to define said single axis (**X $\equiv$ Y**).

88. Hinge device according to one or more of the preceding claims, comprising a couple of working chambers (**30**, **30'**) susceptible to housing respective sliders (**20**, **20'**) sliding along respective second axes (**Y**, **Y'**) parallel to each other and to said first rotation axis (**X**) of said movable element (**10**).

89. A hinge for automatically closing and/or for controlling a closing element (**D**), such as a door, a shutter or the like, consisting of a hinge device according to claims 23 and 26 and possibly one or more of the preceding claims.

90. Hinge according to claim 89, further comprising one or more of the features according to claims 60 to 88.

91. A door closer for automatically closing and/or controlling a closing element (**D**), such as a door, a shutter or the like, consisting of a hinge device according to claims 24 and 26 and possibly one or more of claims 1 to 88.

92. Door closer according to claim 91, further comprising one or more of the features according to claims 60 to 88.

93. An hydraulic damping hinge to control the opening and/or closing rotating movement of a closing element (**D**), such as a door, a shutter or the like, the hydraulic damping hinge consisting of a hinge device according to one or more of claims 60 to 88 and possibly 1 to 25, the hydraulic damping hinge being mountable on the closing element to hydraulically damp the automatic closing action of the closing element.

94. Hydraulic damping hinge according to claim 93, wherein the hydraulic damping hinge is free of the counteracting elastic means according to one or more of claims 26 to 32.

95. An assembly for the automatic controlled closing of a closing element (**D**), such as a door, a shutter or the like, including at least one hinge or door closer according respectively to claims 89 or 91.

96. Assembly according to claim 95, comprising at least two hinges (**110**, **120**) having

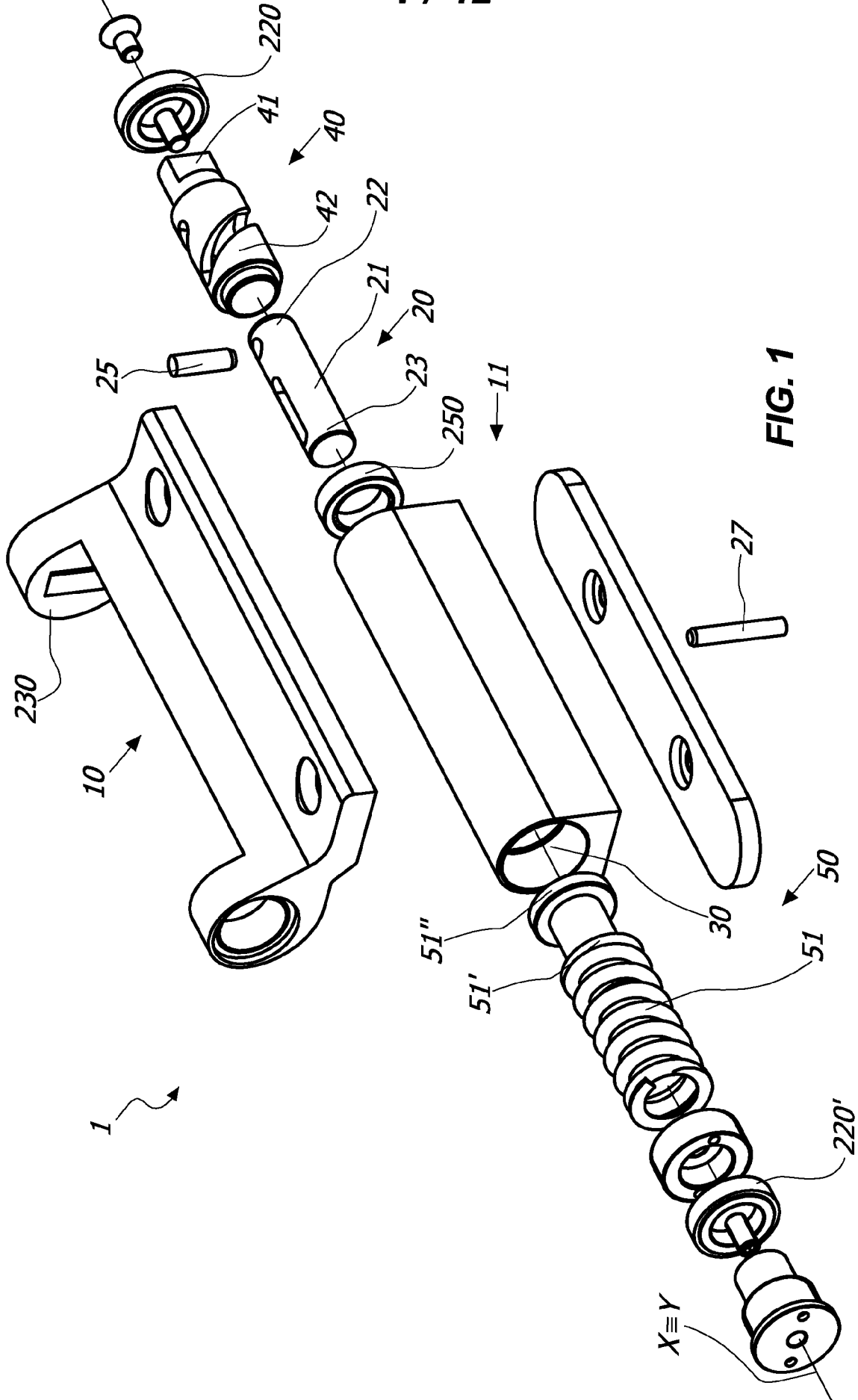
respective valve means (63) to allow the passage of the working fluid between the respective first compartments (36') and second compartments (36'') during one of the opening or the closing of the closing element (D) and to prevent the backflow thereof during the other between the opening or the closing of the same closing element (D), wherein the valve means of a hinge (110) are configured to allow the passage of the working fluid from the first compartment (36') to the second compartment (36'') during the opening of the closing element (D), the valve means of the other hinge (120) being configured to allow the passage of the working fluid from the second compartment (36'') to the first compartment (36') during the closing of the closing element (D).

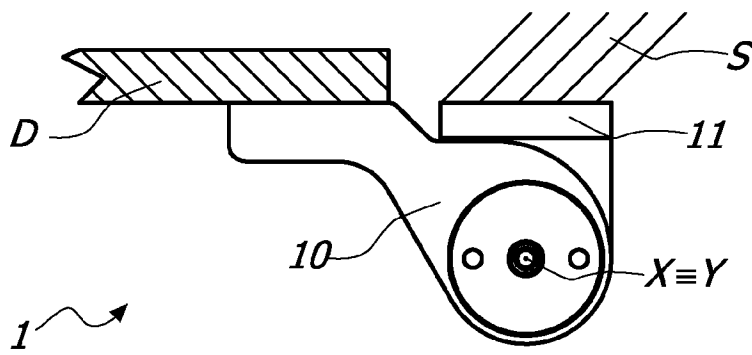
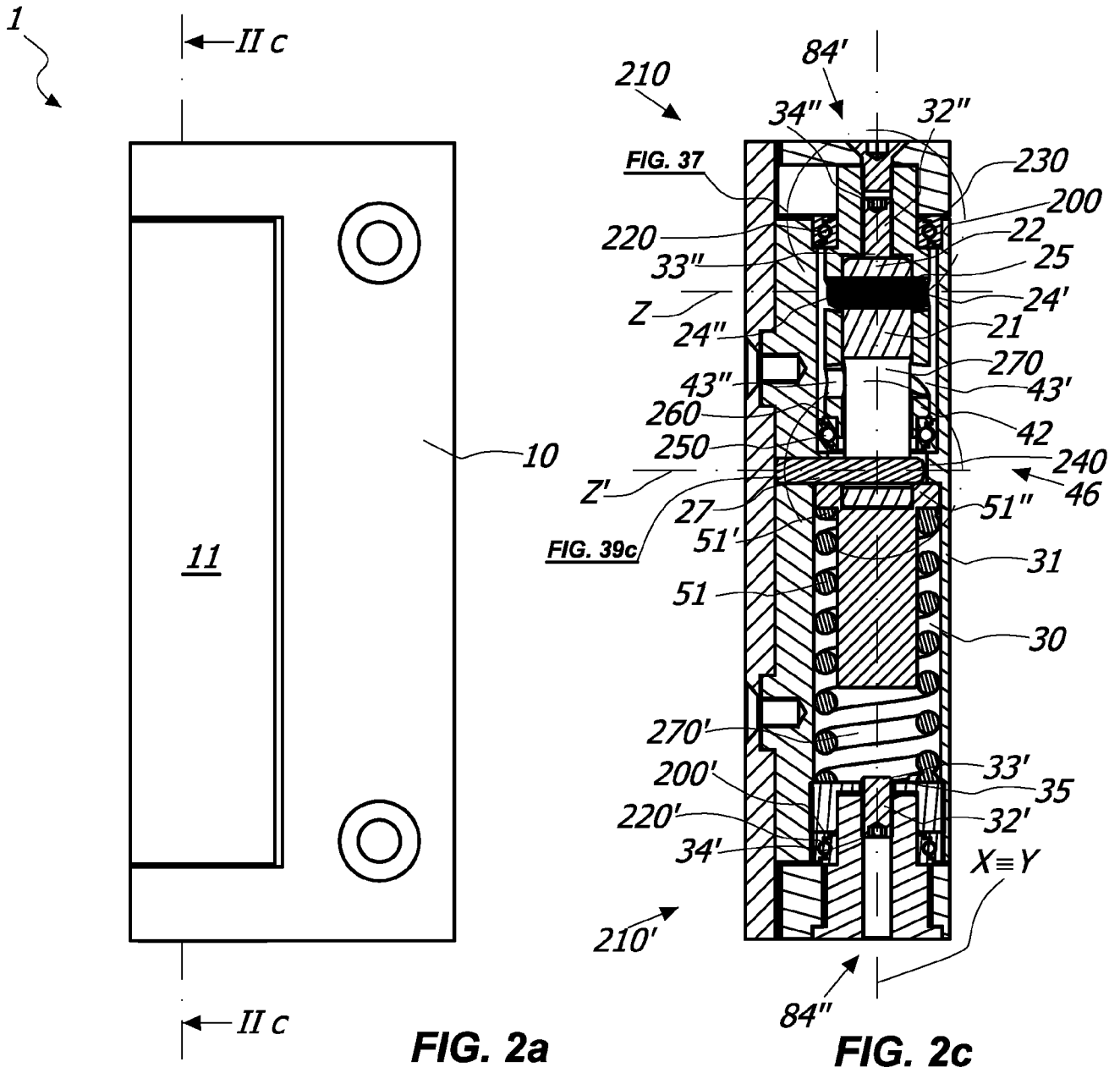
97. Assembly according to claims 70 and 96, wherein the pivots (40) of both hinges (110, 120) have respective right-handed or left-handed helical portions (44', 44''), the disc (90) of a hinge (110) being mounted in the respective receptacle (91) in the opposite sense with respect to the disc (90) of the other hinge (120).

98. Assembly according to claims 70 and 96, wherein the pivot (40) of a hinge (110) has a right-handed helical portion (44', 44''), the pivot (40) of the other hinge (120) having a left-handed helical portion (44', 44''), the discs (90) of both hinges (110, 120) being mounted in the respective receptacle (91) in the same sense.

99. An assembly for the automatic controlled closing of a closing element (D), such as a door, a shutter or the like, comprising:

- at least one hinge and/or a door closer according to claim 89 or 90 and/or 91 or 92;
- at least one hydraulic damping hinge according to claim 93.





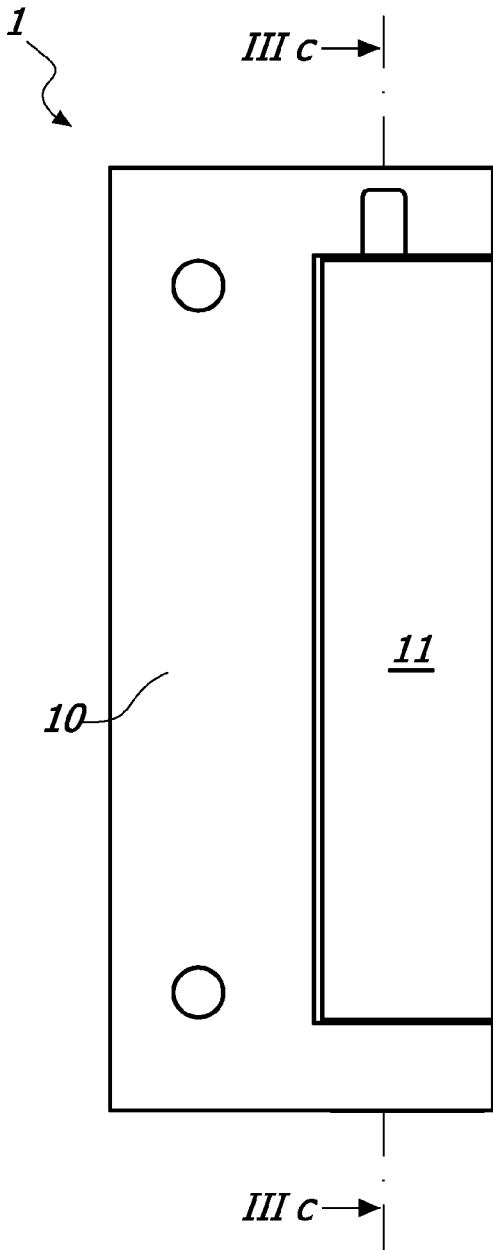


FIG. 3a

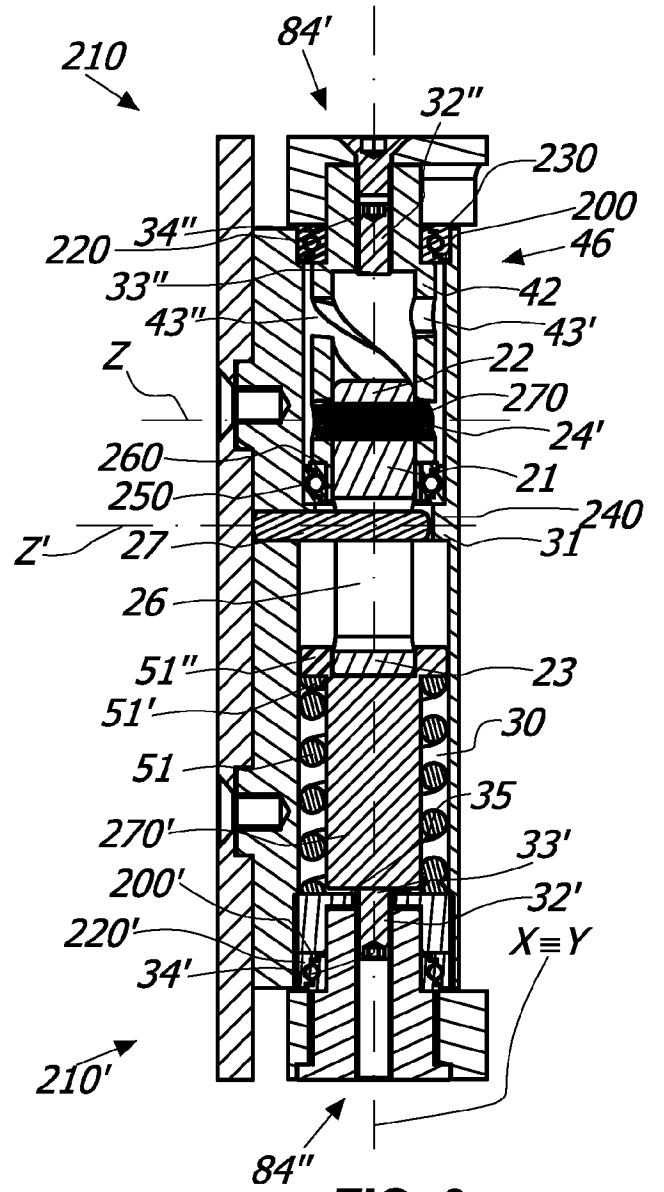


FIG. 3c

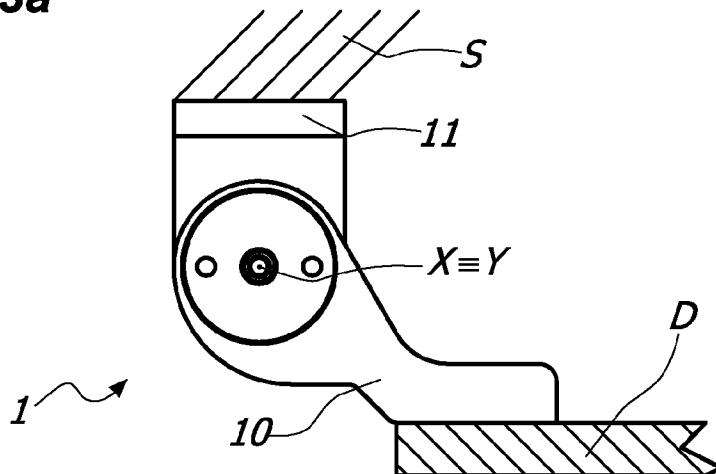


FIG. 3b

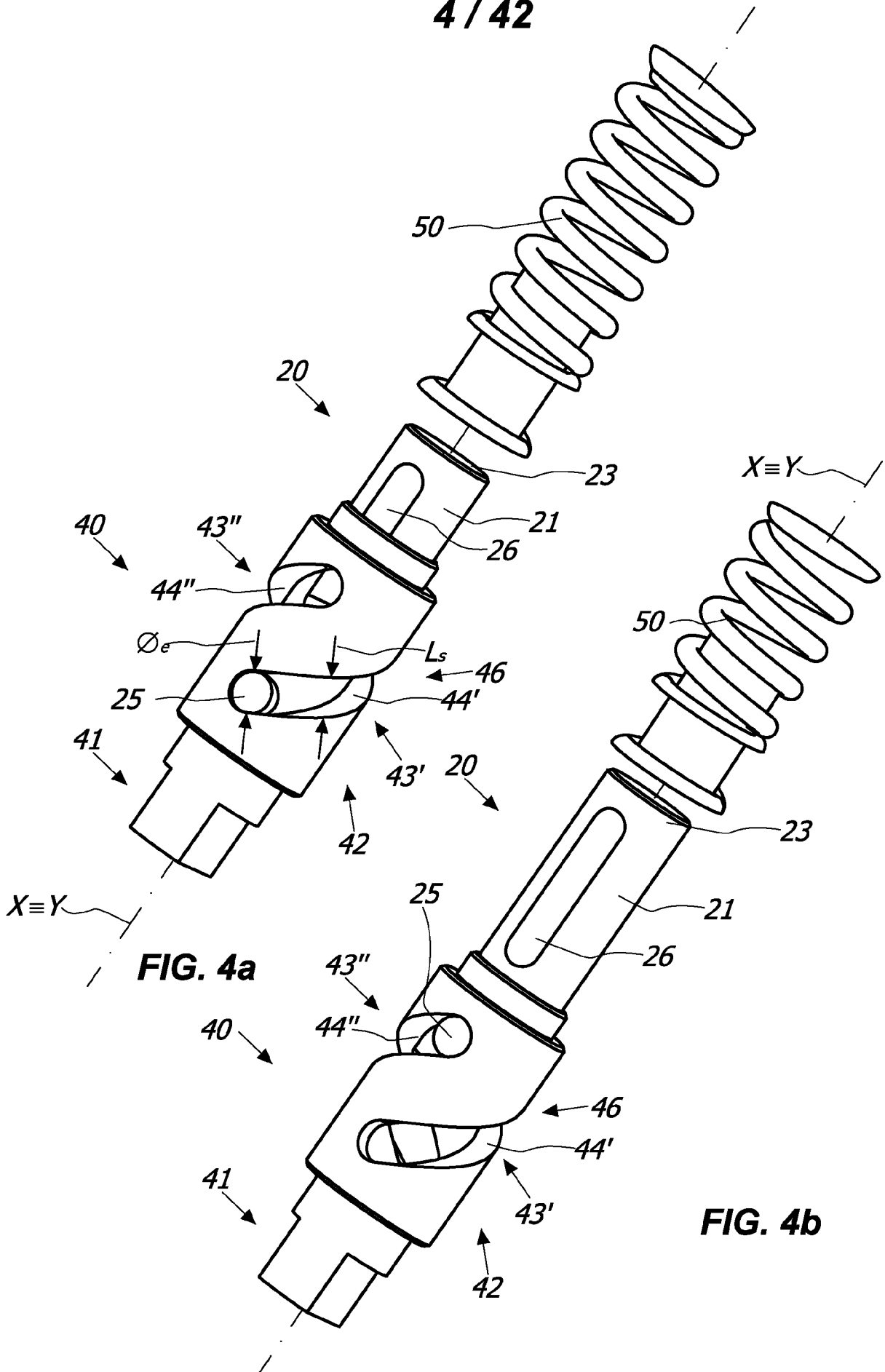


FIG. 4a

FIG. 4b

5 / 42

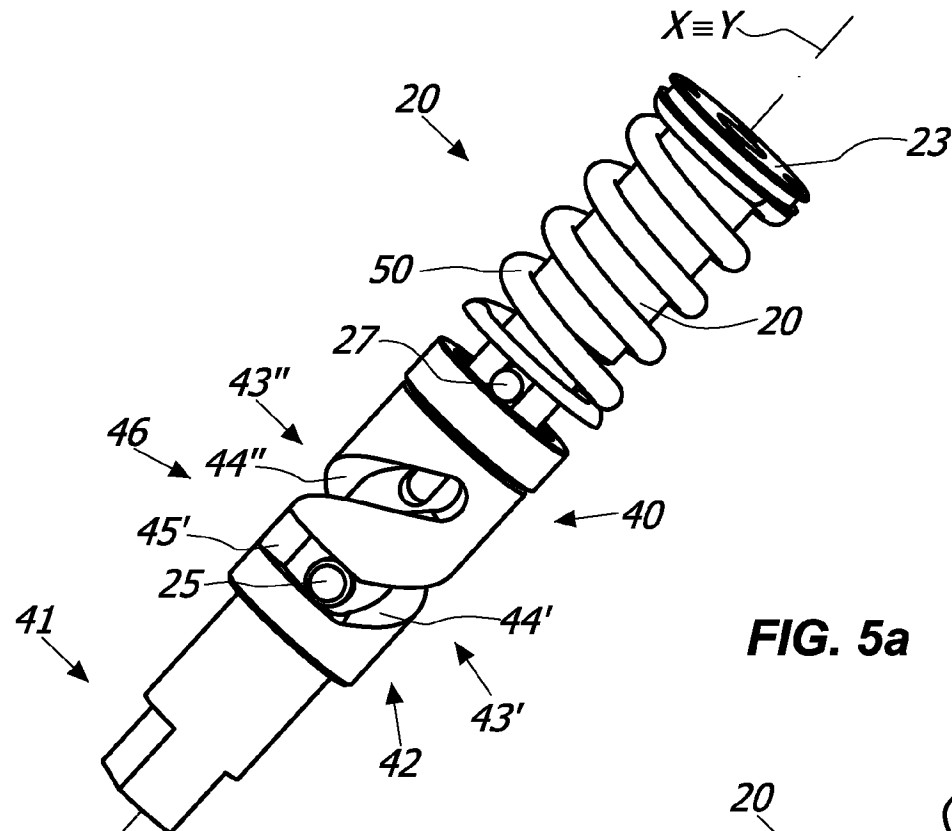


FIG. 5a

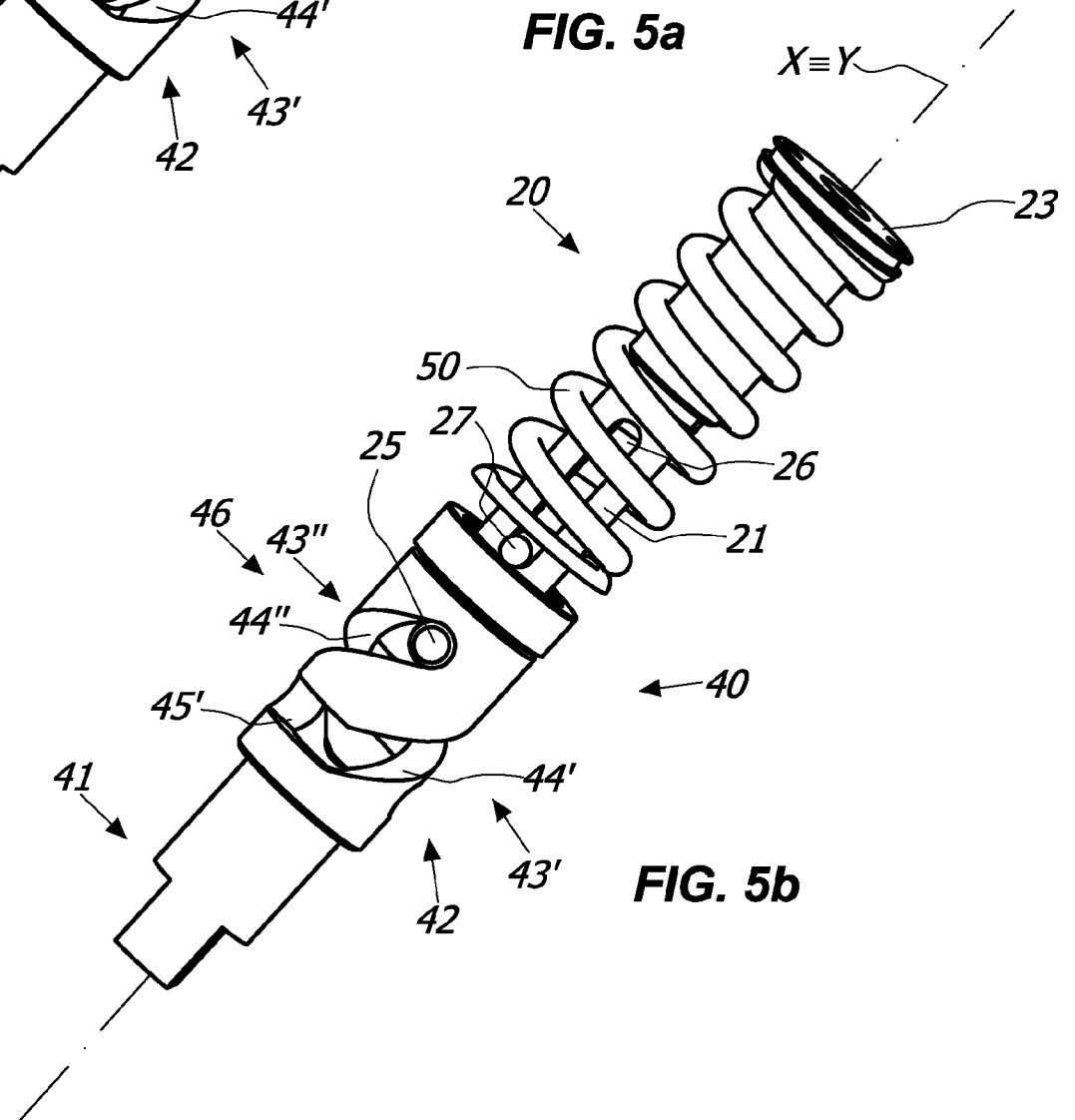


FIG. 5b

6 / 42

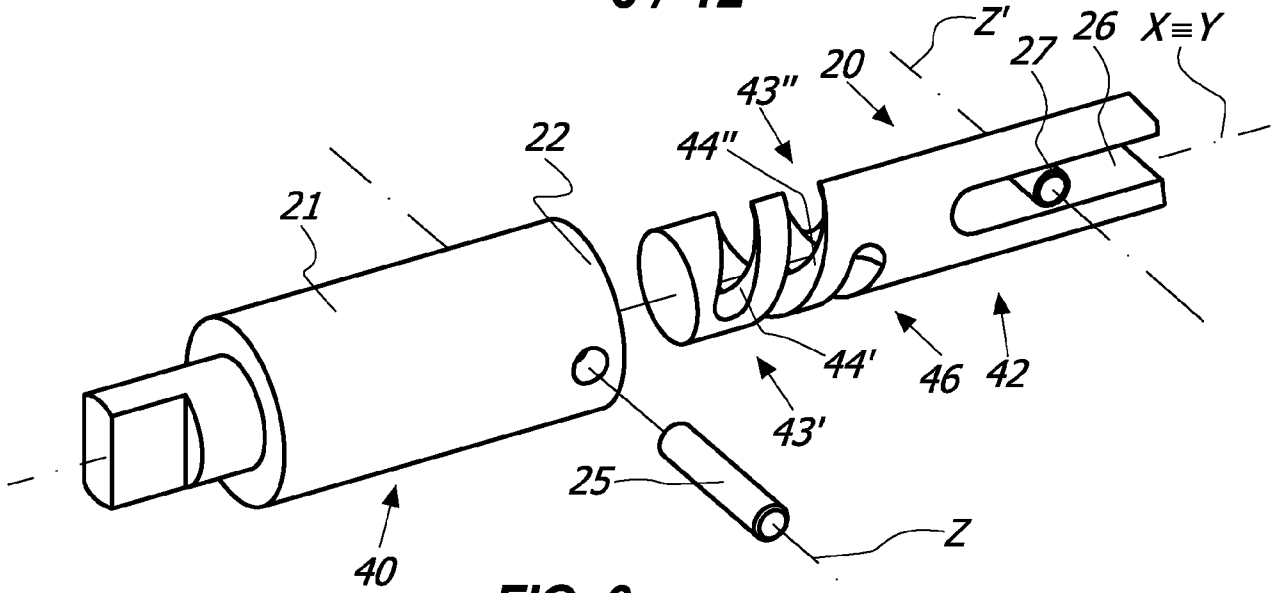


FIG. 6a

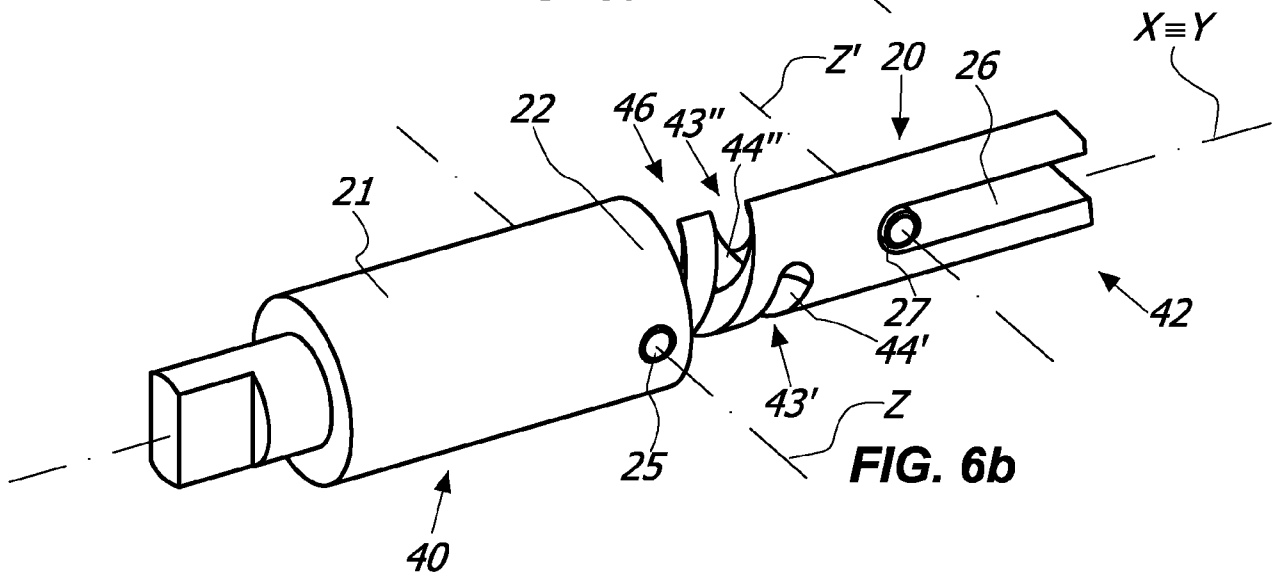


FIG. 6b

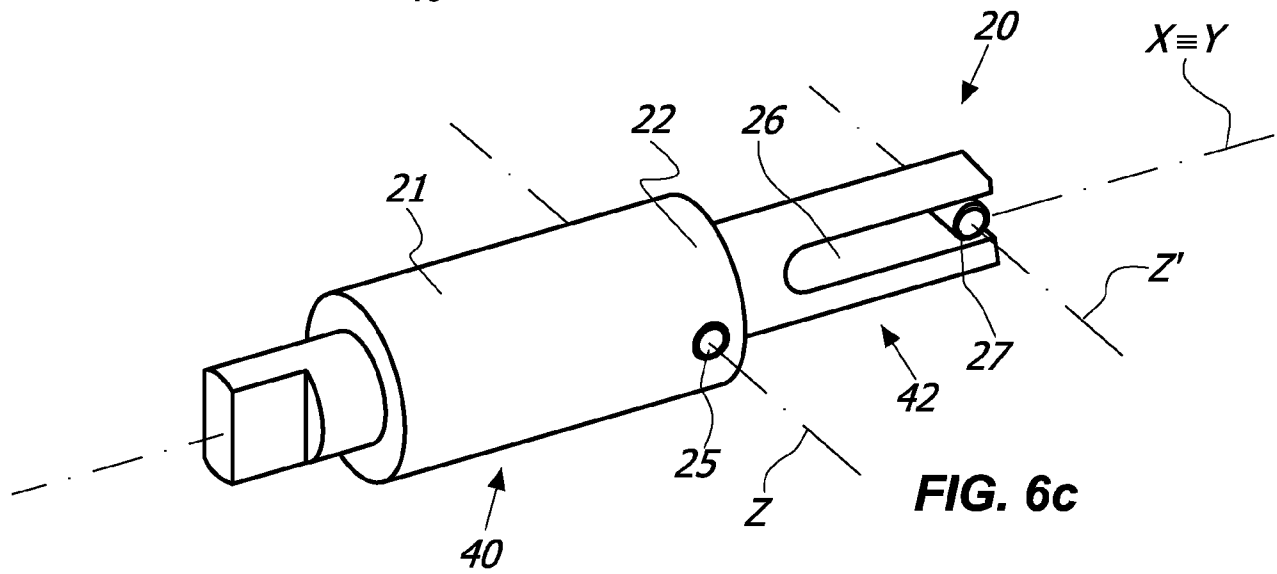


FIG. 6c

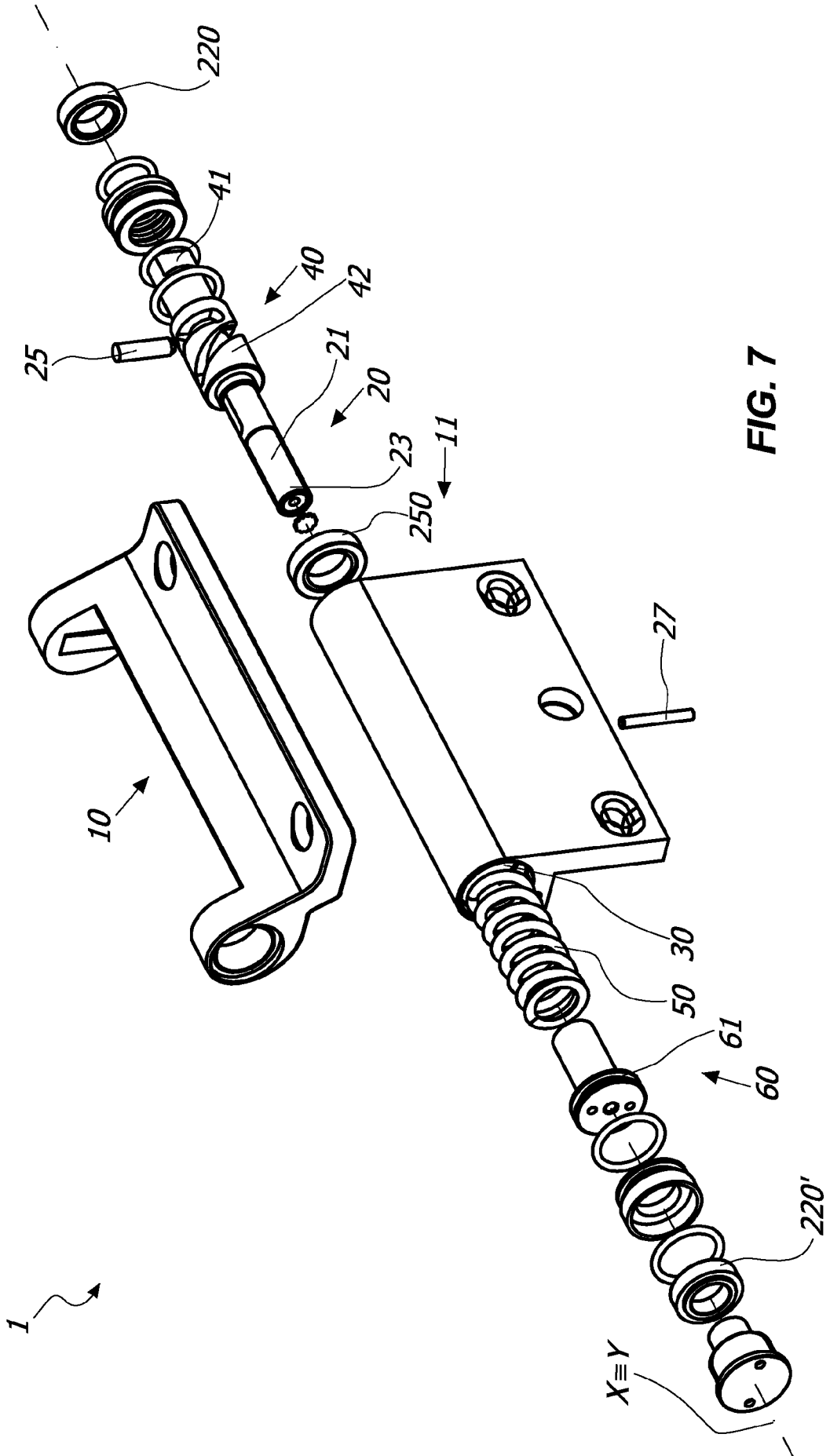


FIG. 7

1

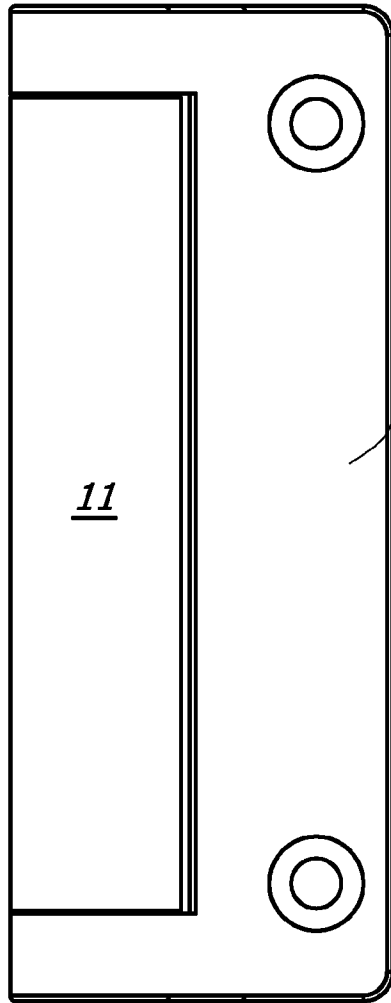


FIG. 8a

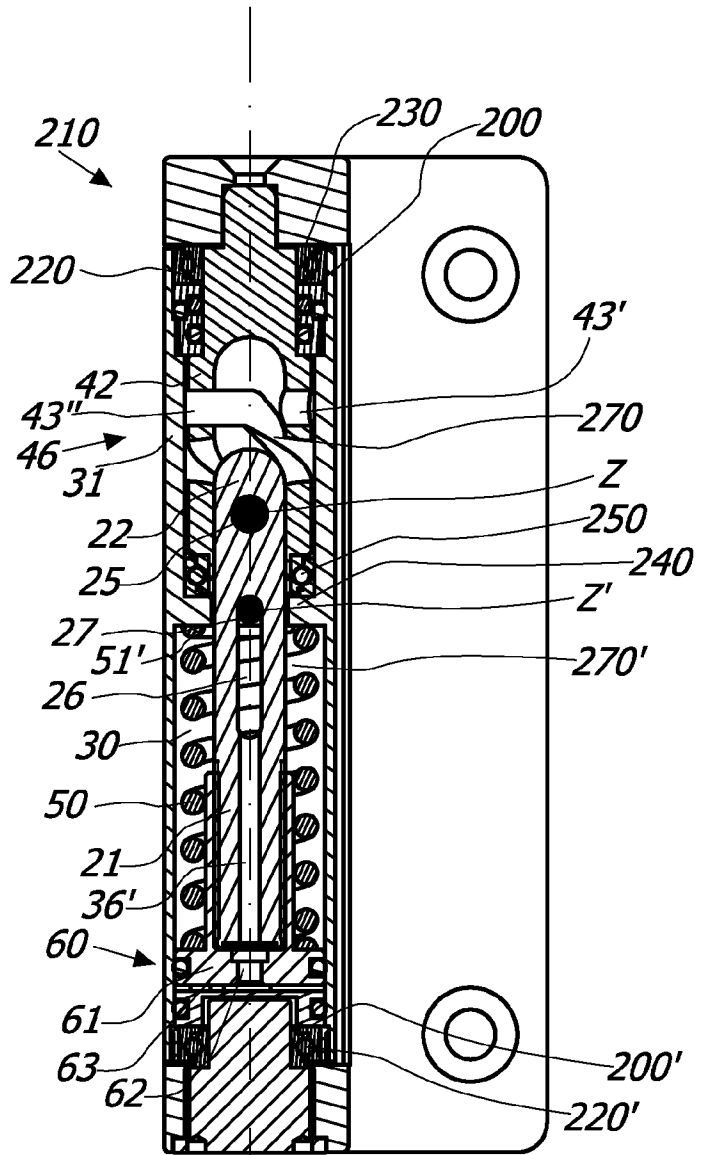


FIG. 8c

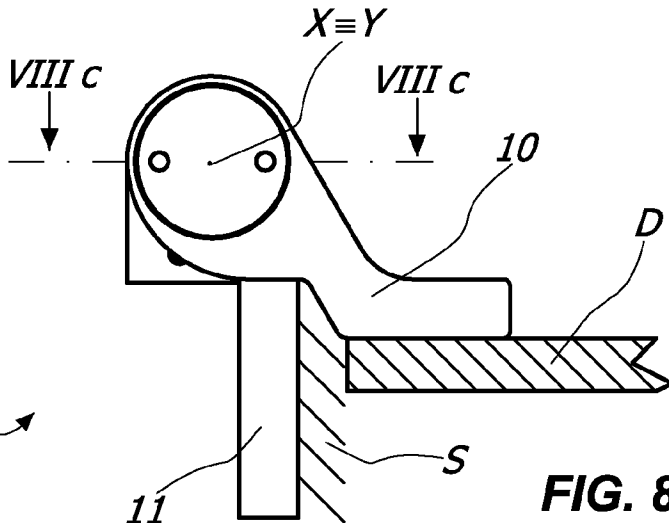


FIG. 8b

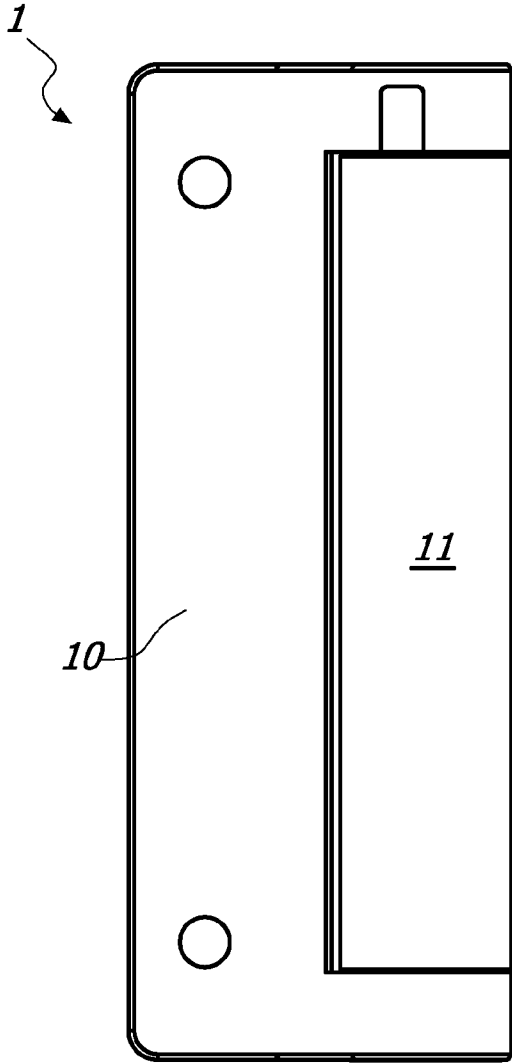


FIG. 9a

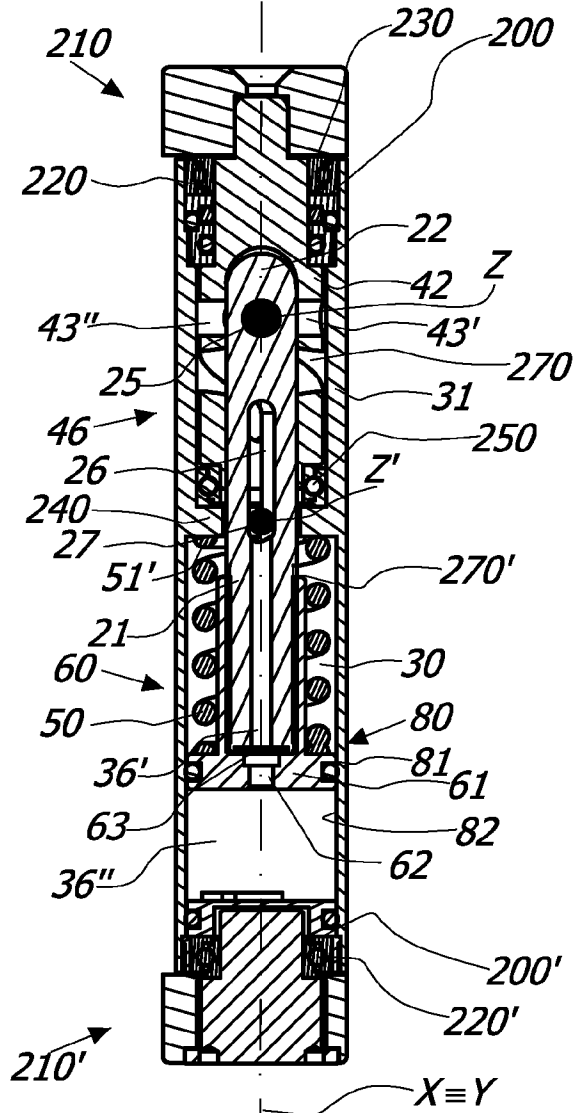


FIG. 9c

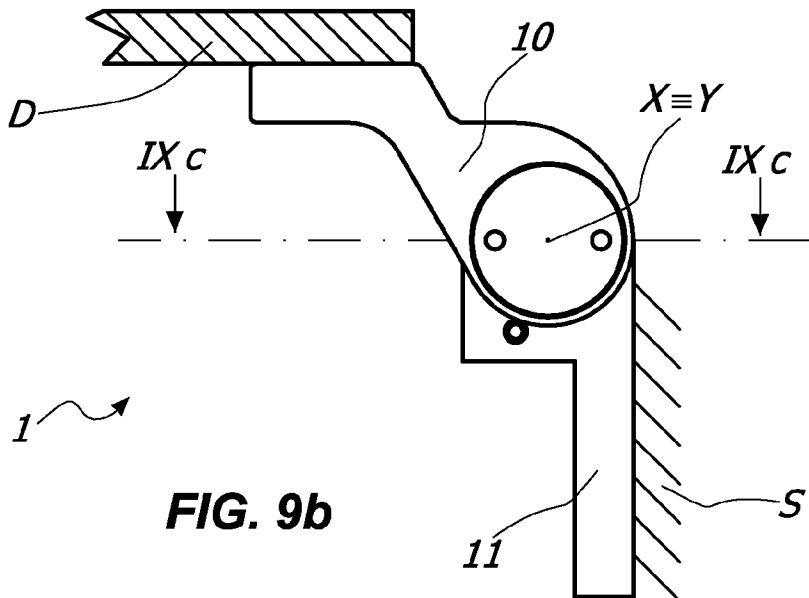


FIG. 9b

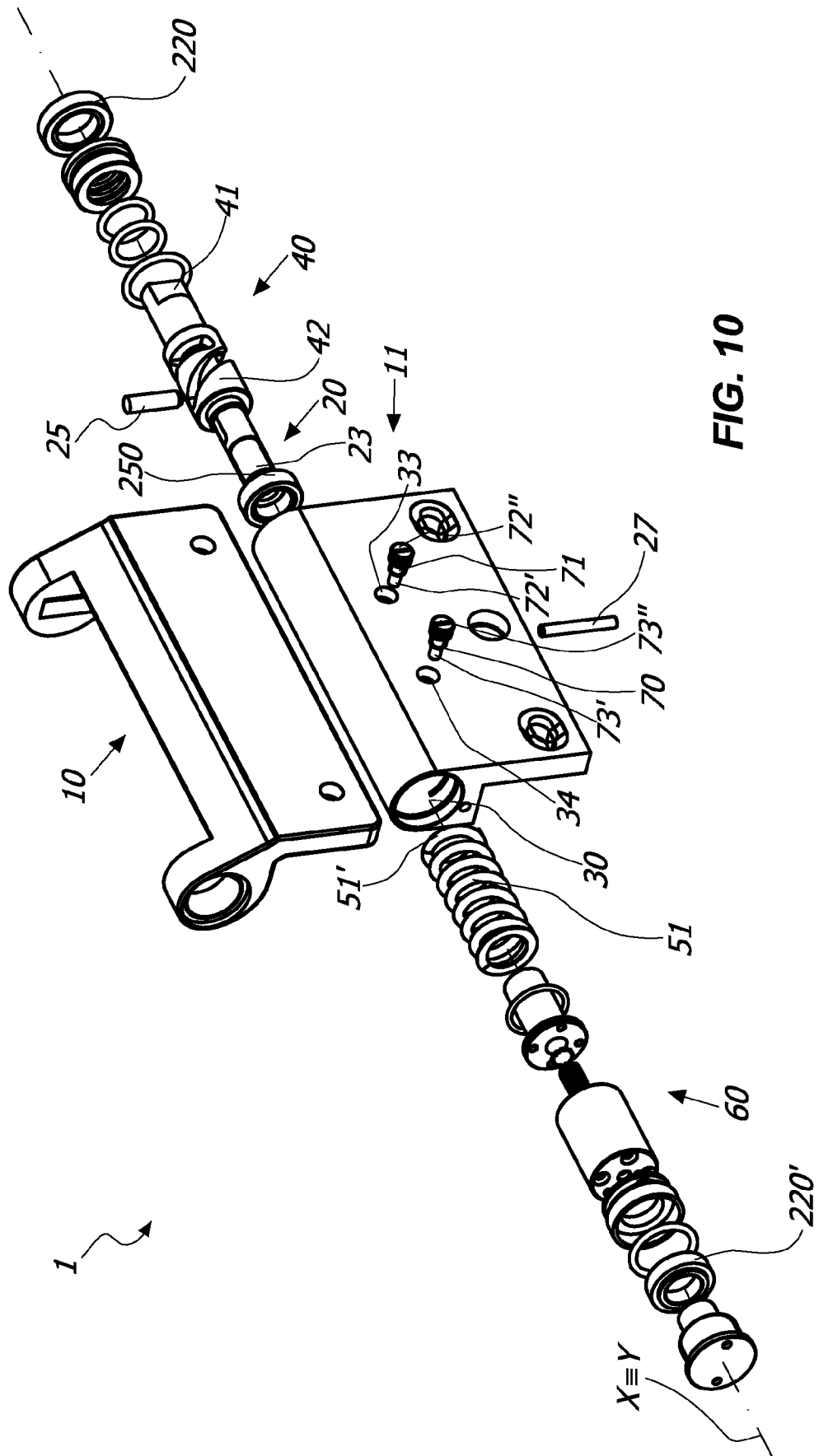


FIG. 10

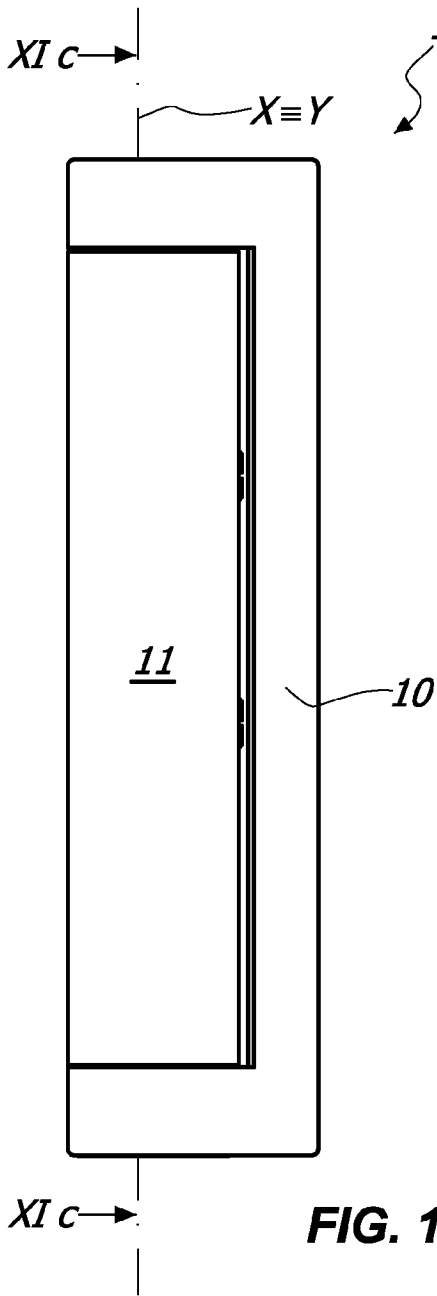


FIG. 11a

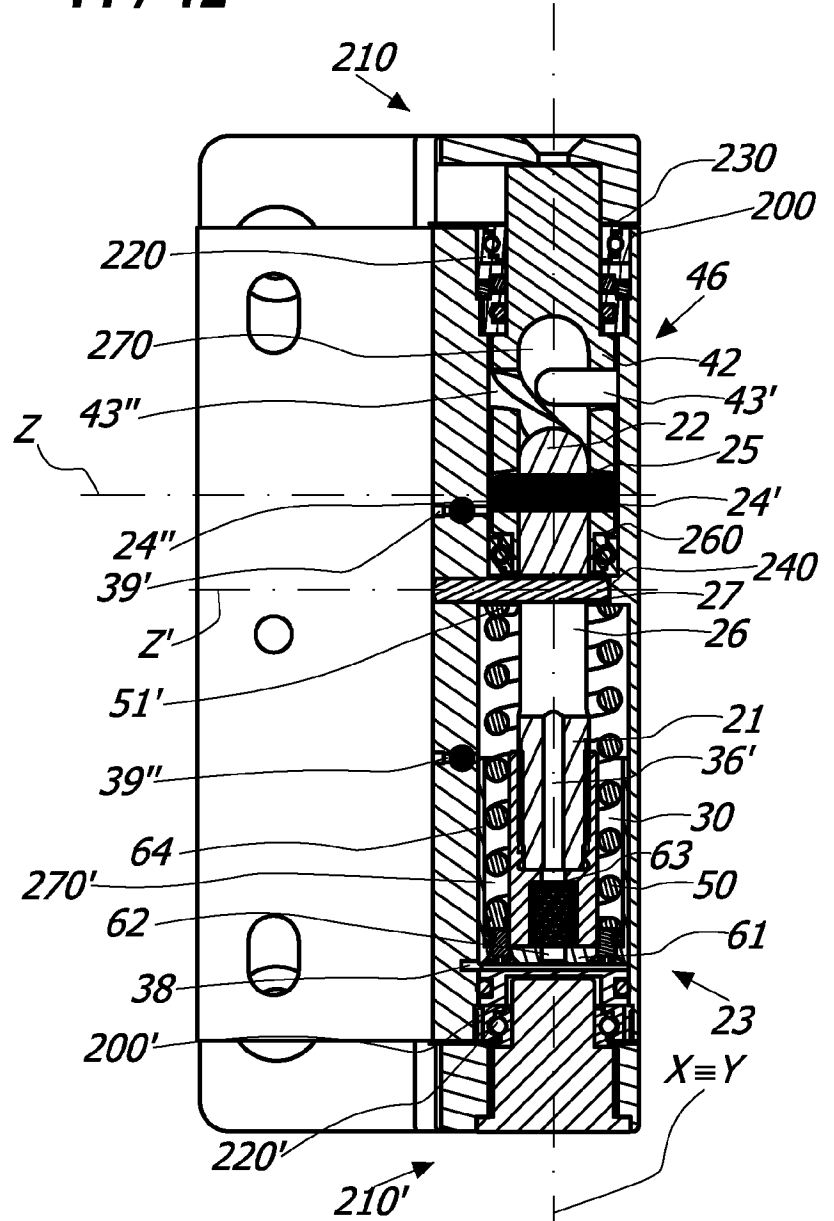


FIG. 11c

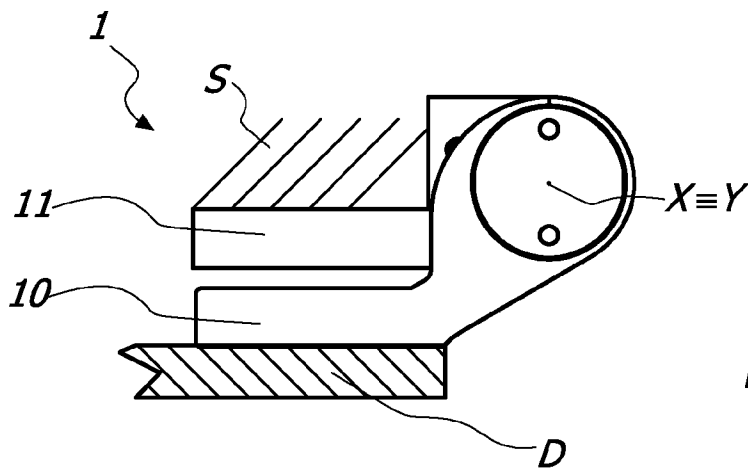
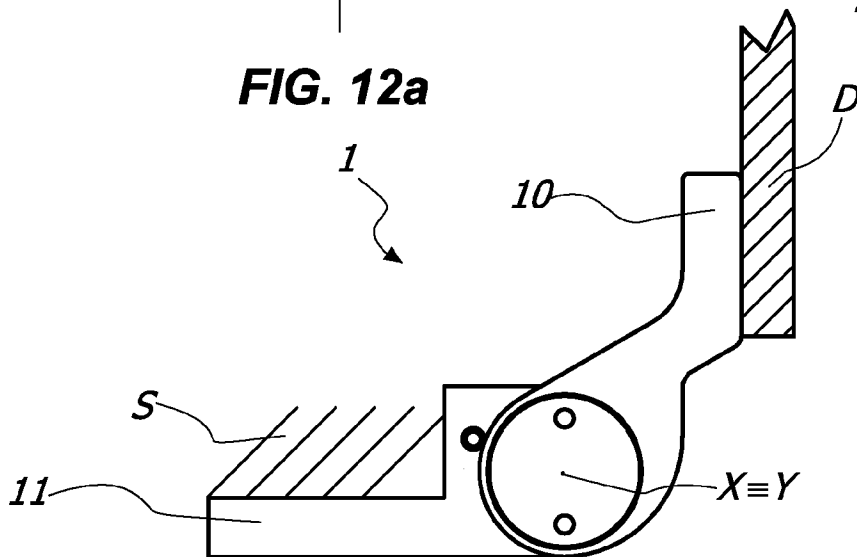
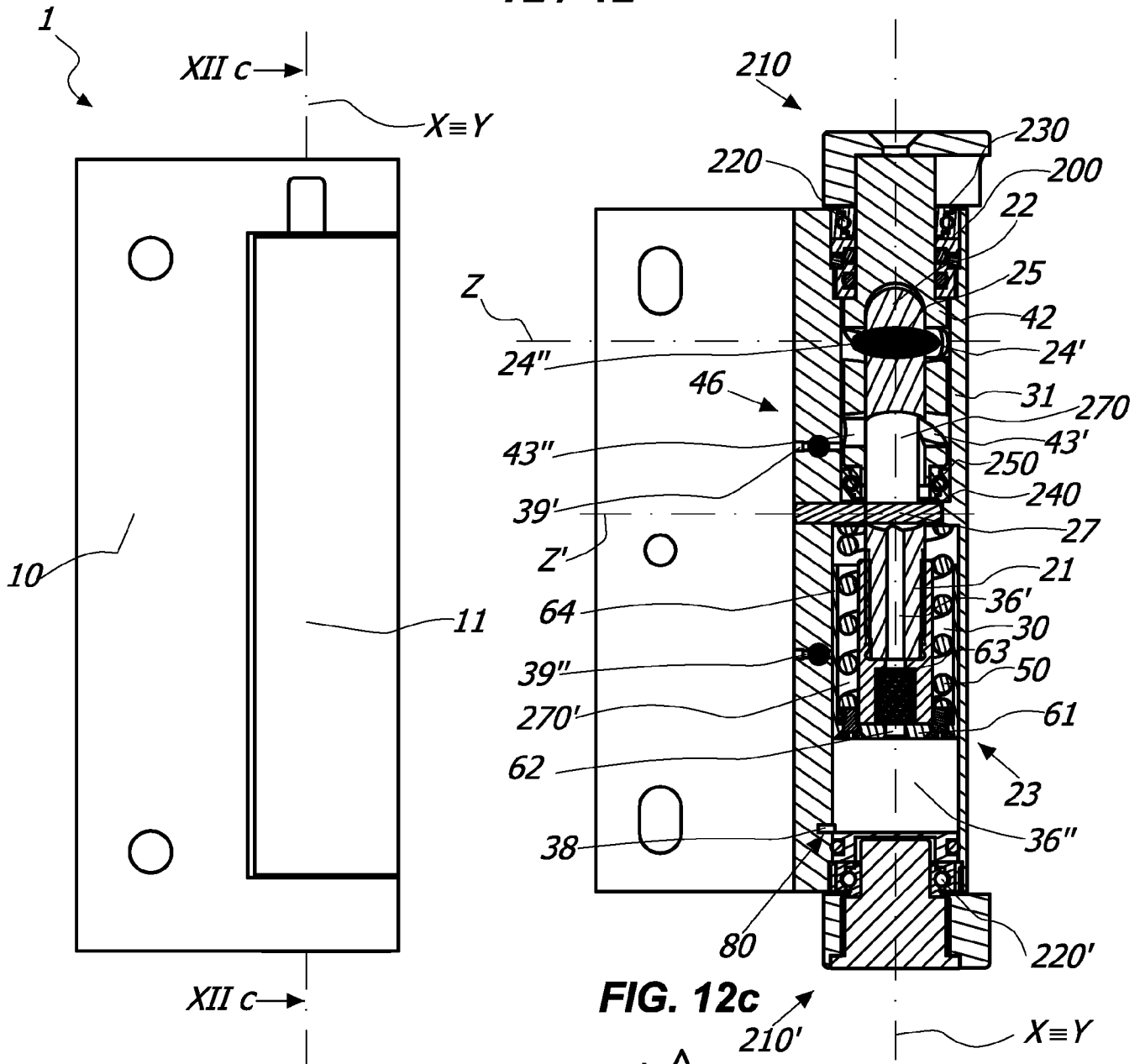


FIG. 11b



13 / 42

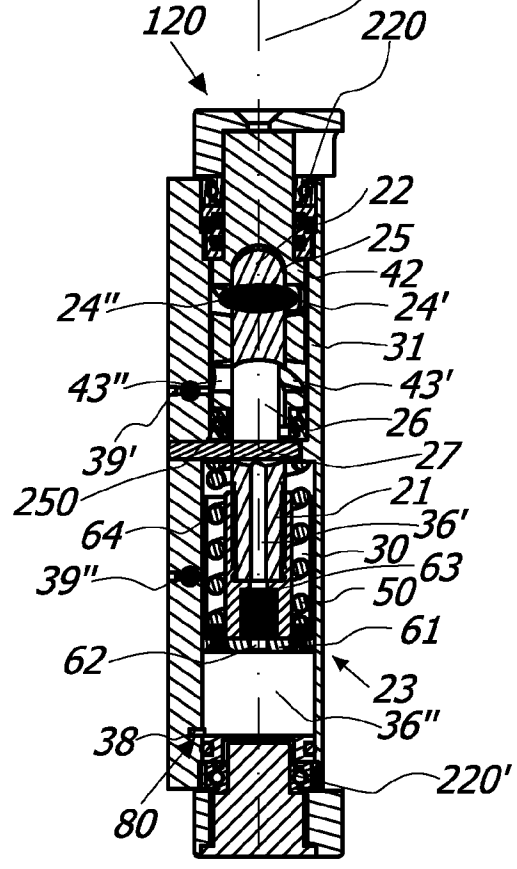
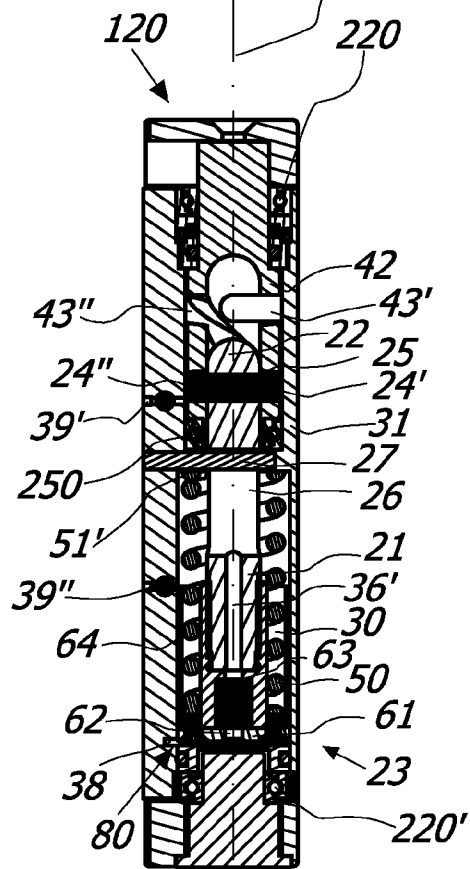
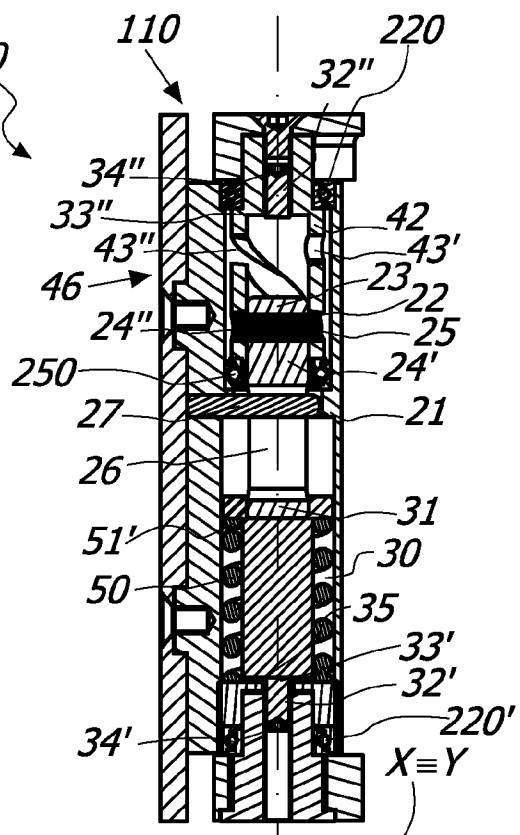
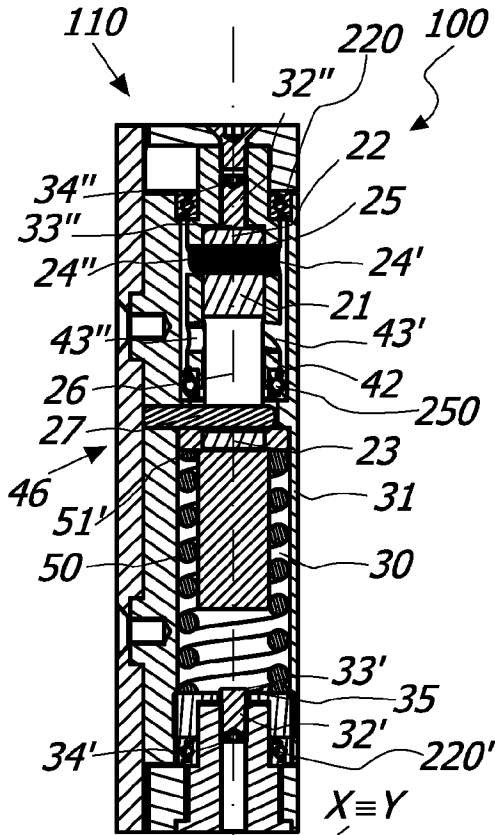


FIG. 13a

FIG. 13b



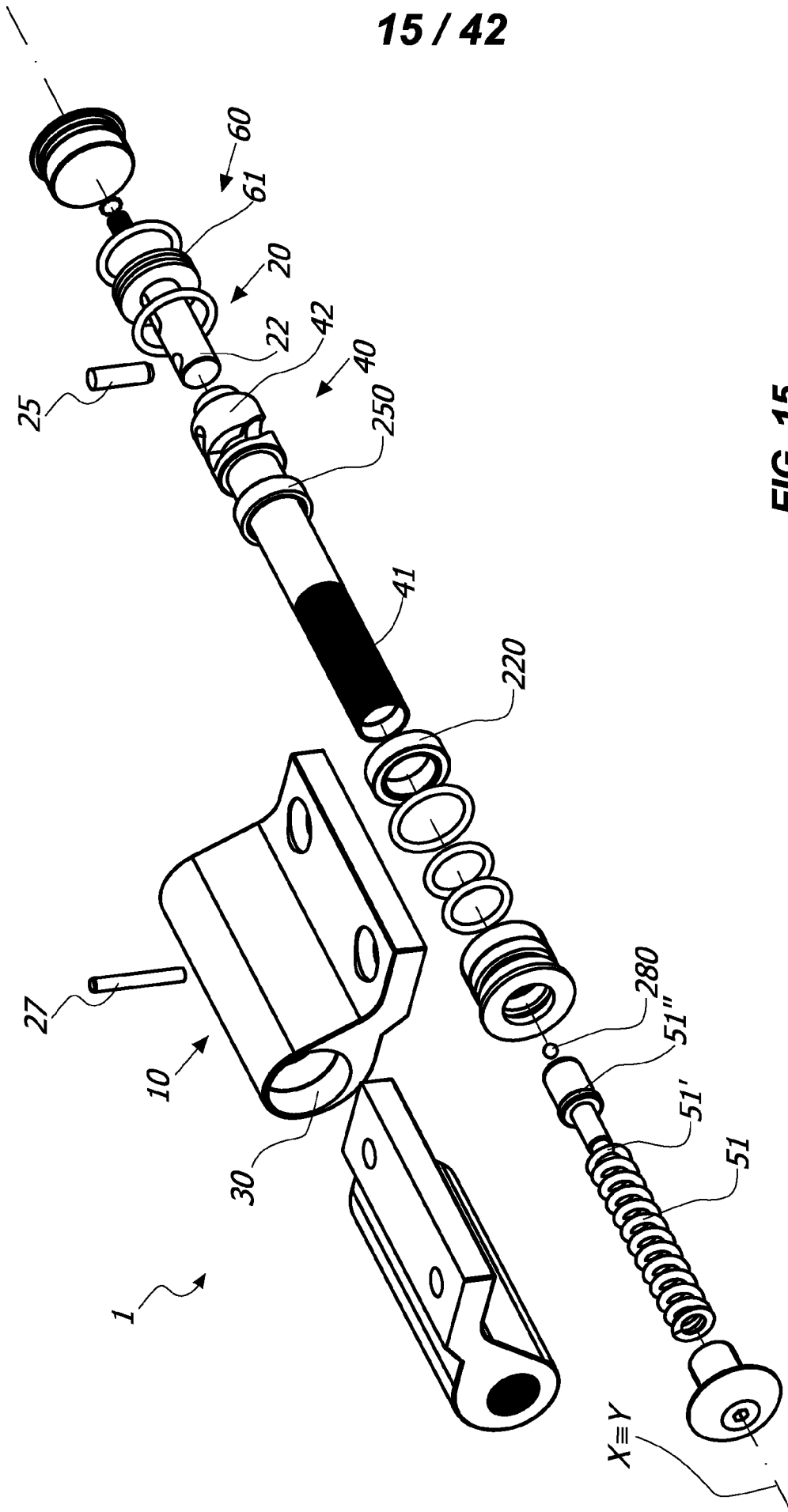


FIG. 15

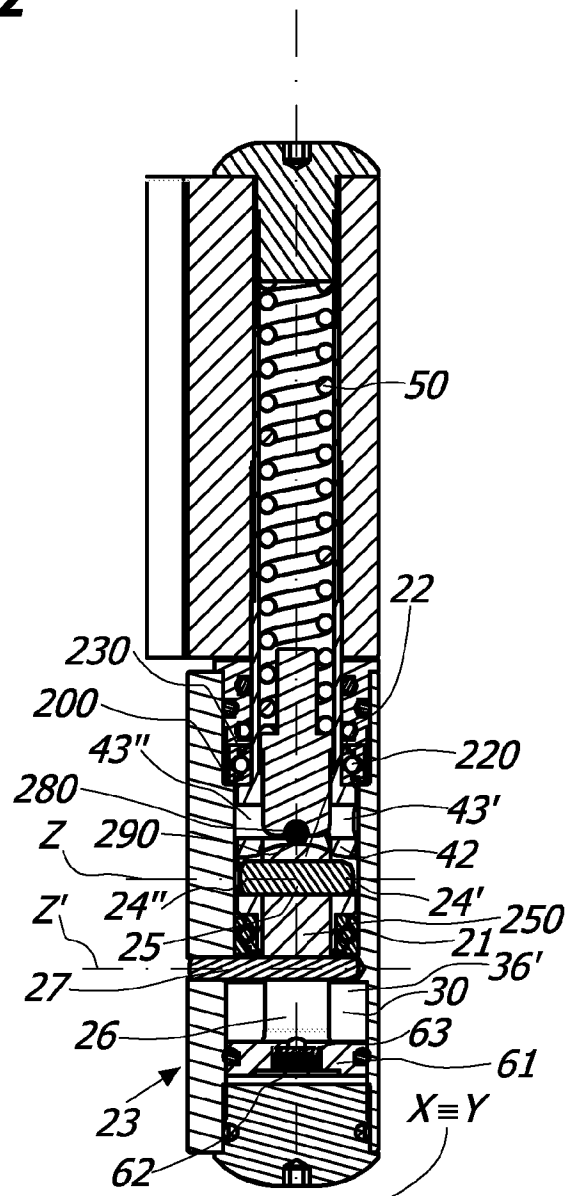
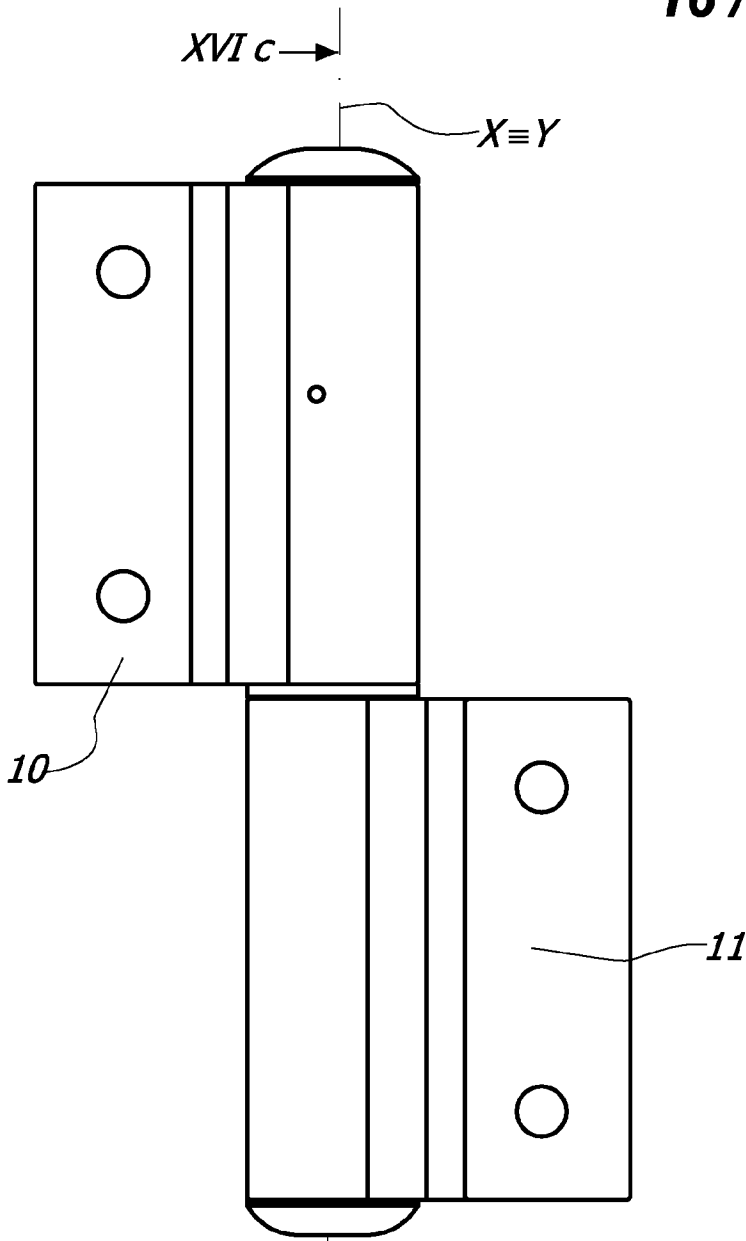


FIG. 16a

FIG. 16c

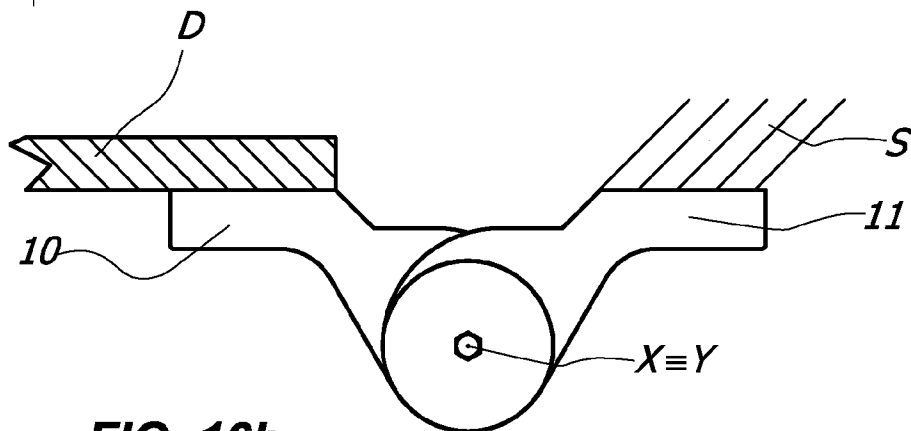


FIG. 16b

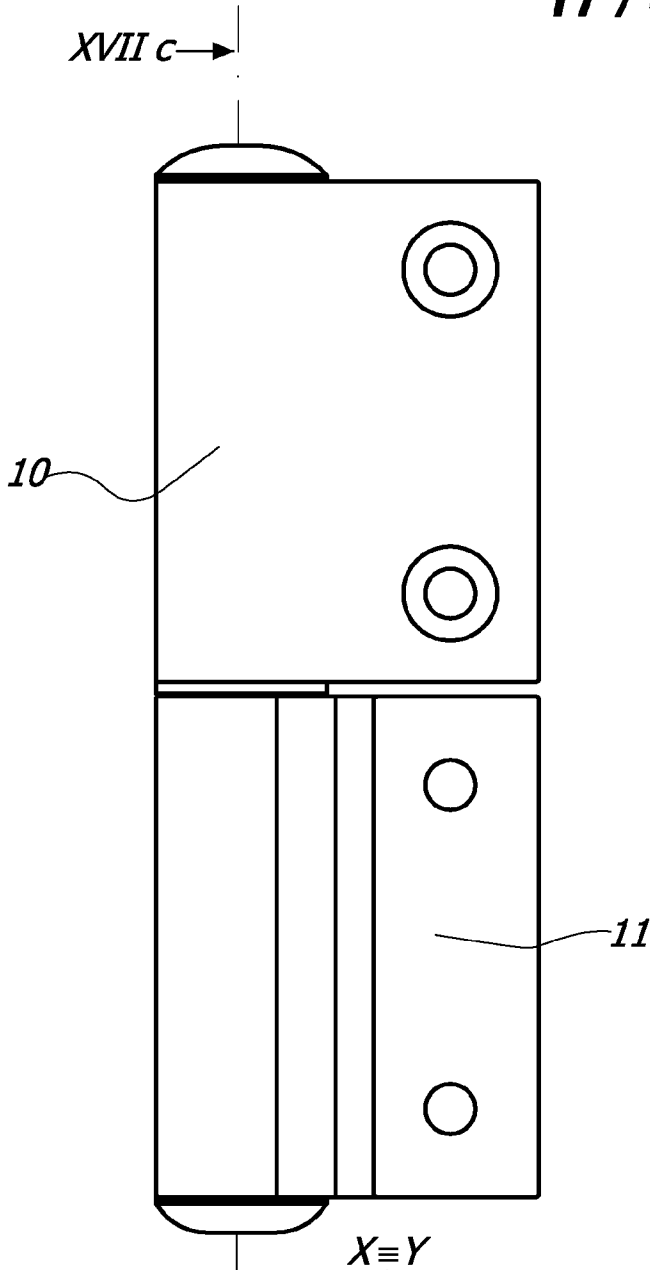


FIG. 17a

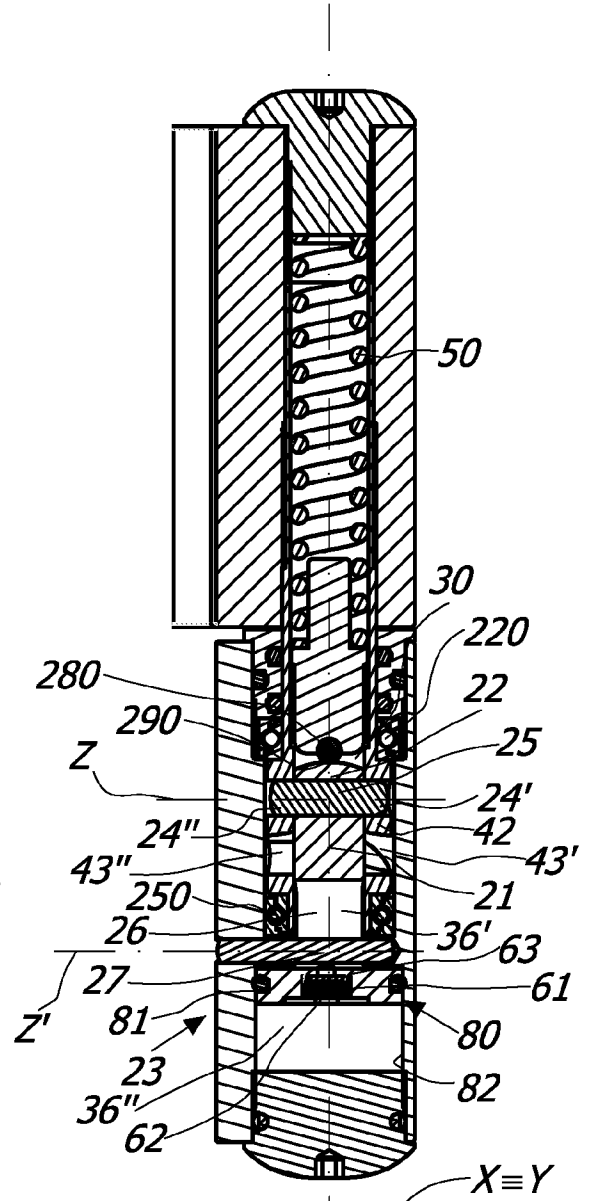


FIG. 17c

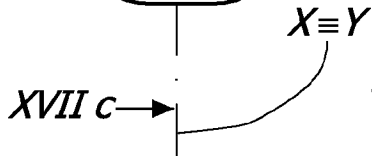
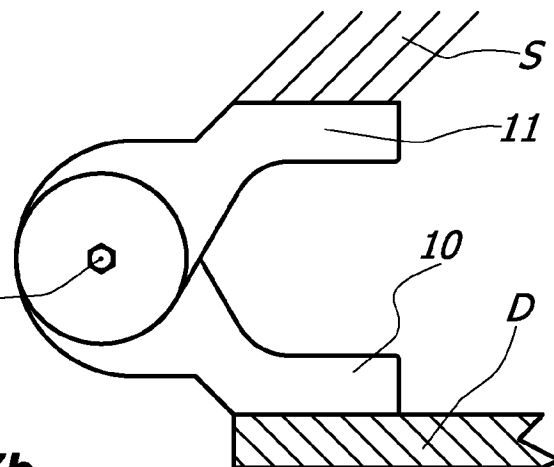
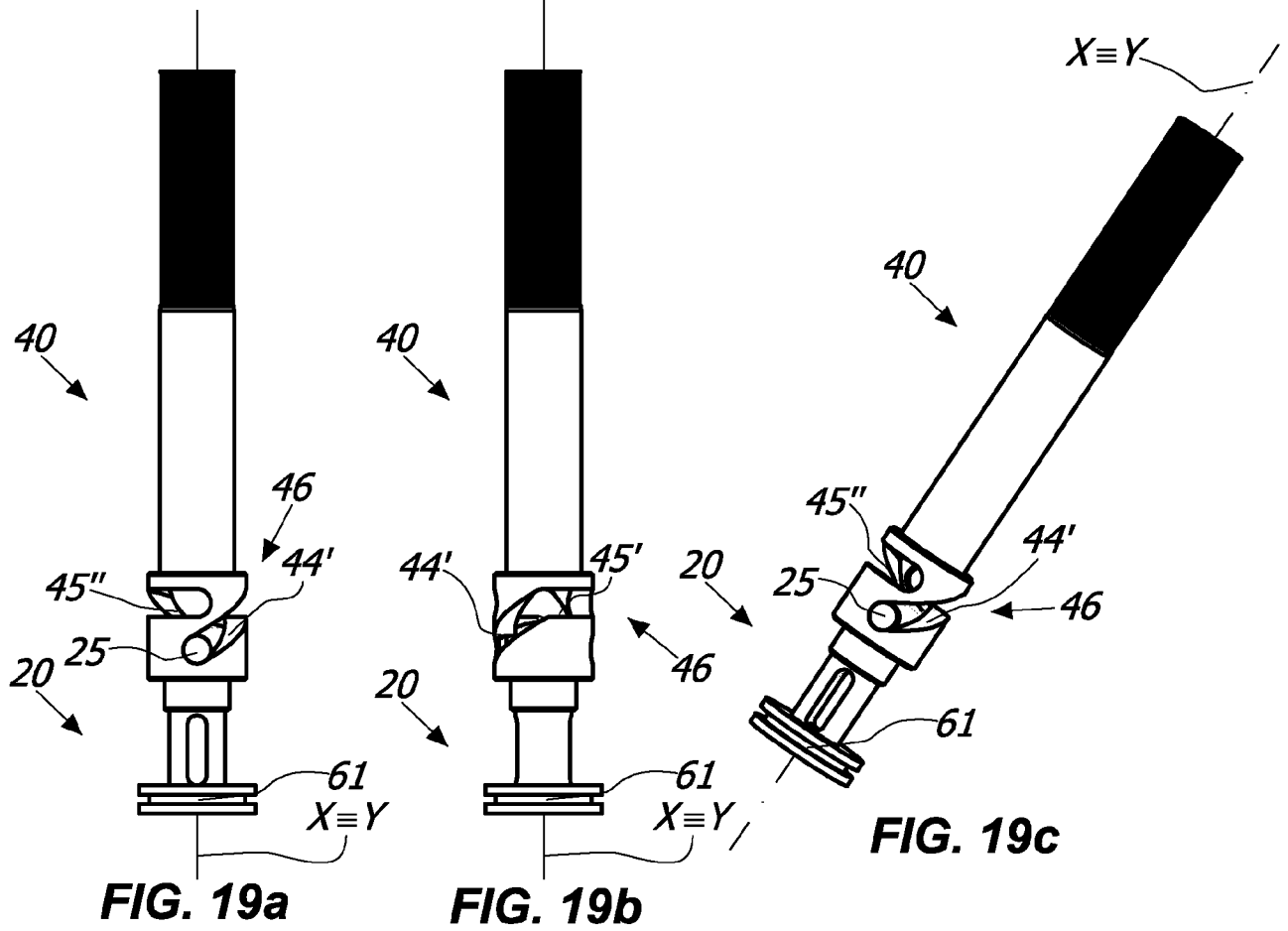
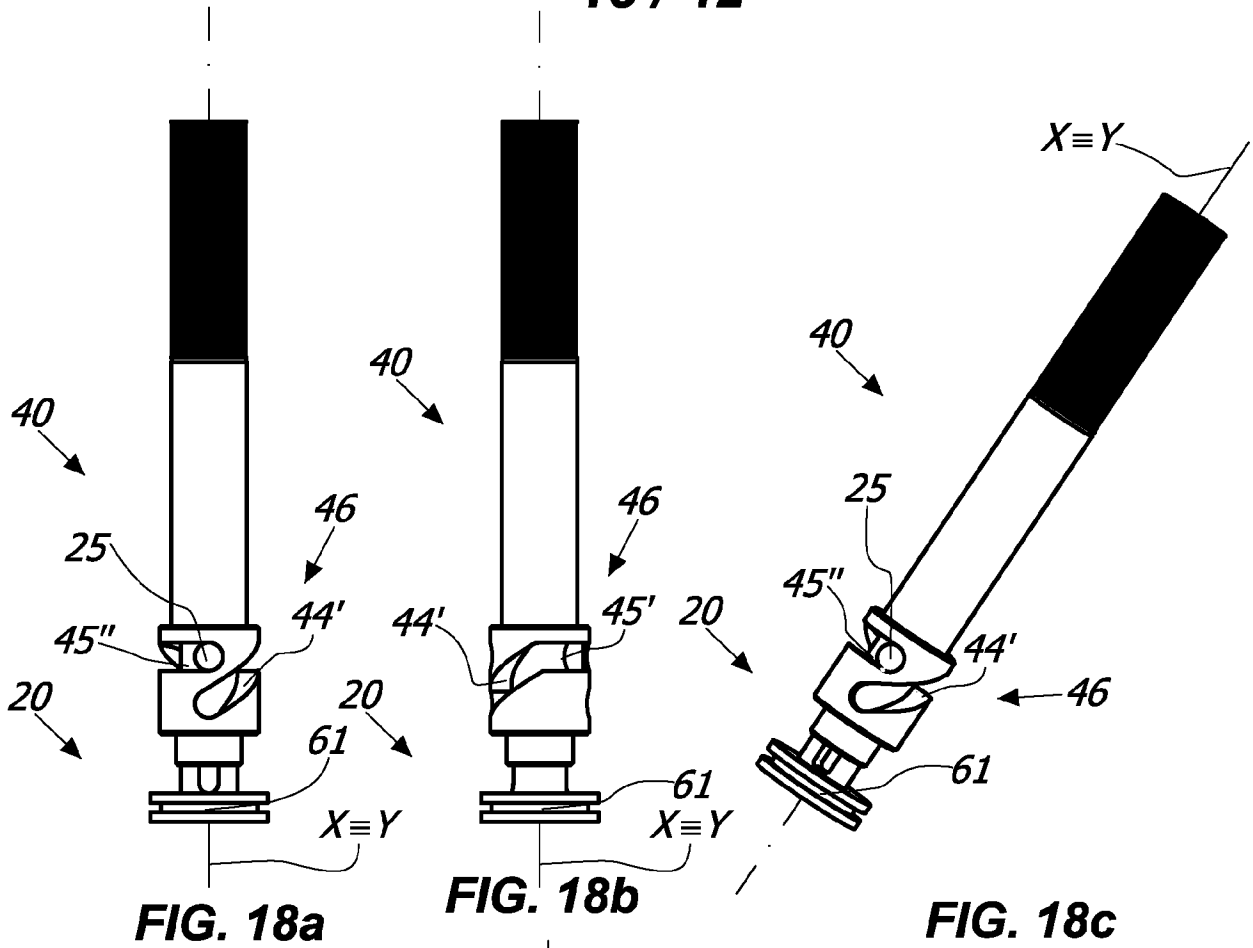


FIG. 17b





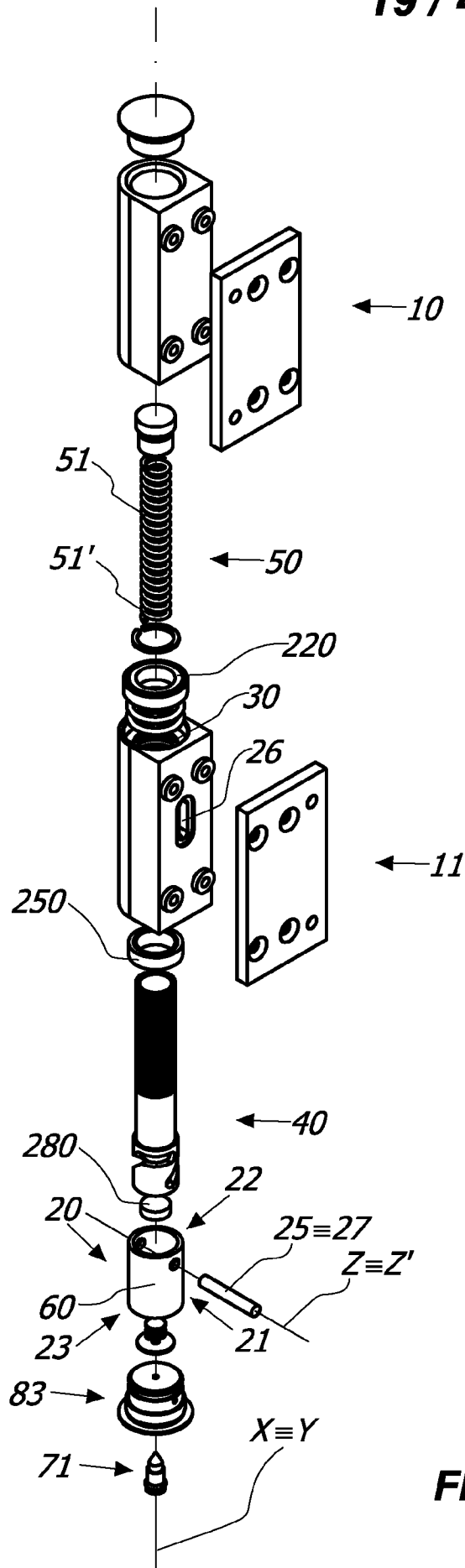


FIG. 20

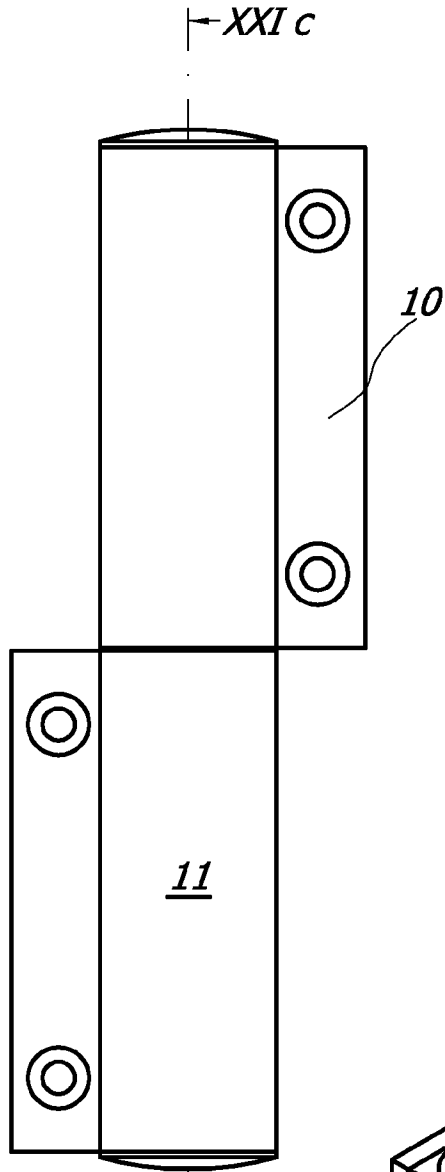


FIG. 21a

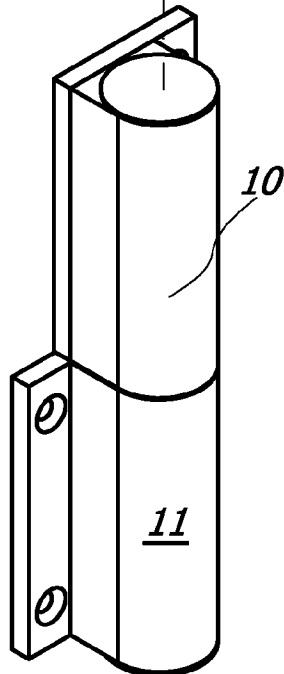


FIG. 21b

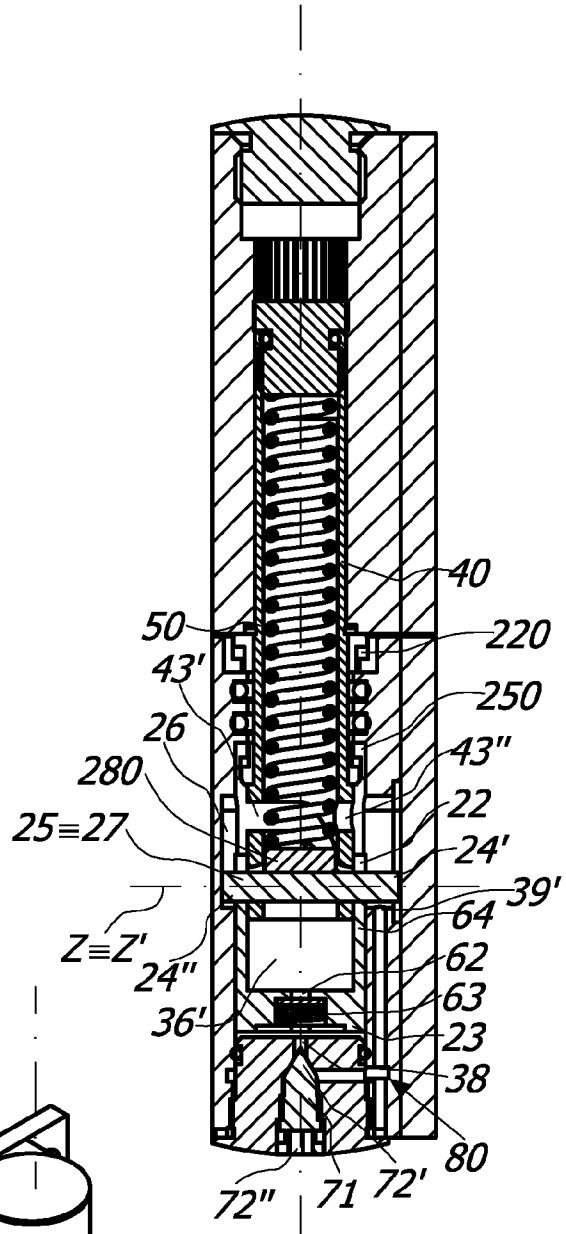


FIG. 21c

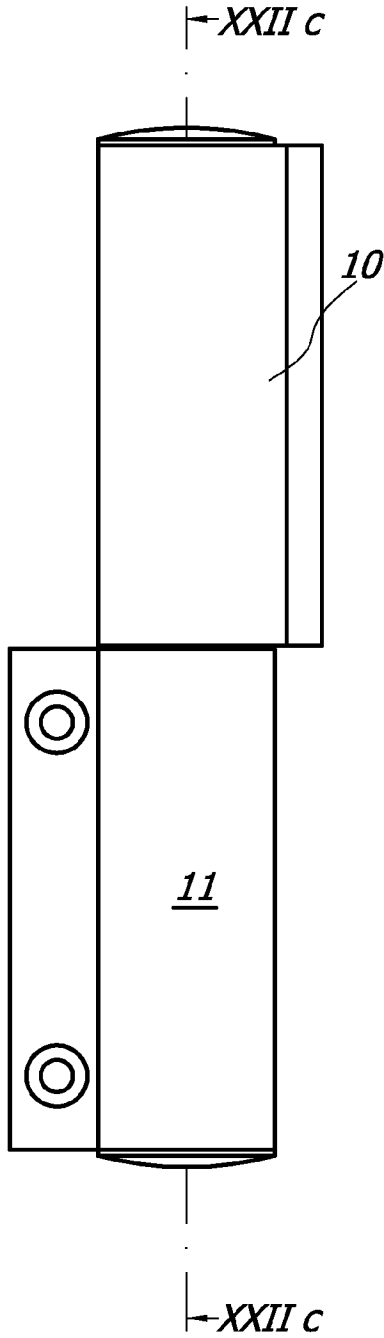


FIG. 22a

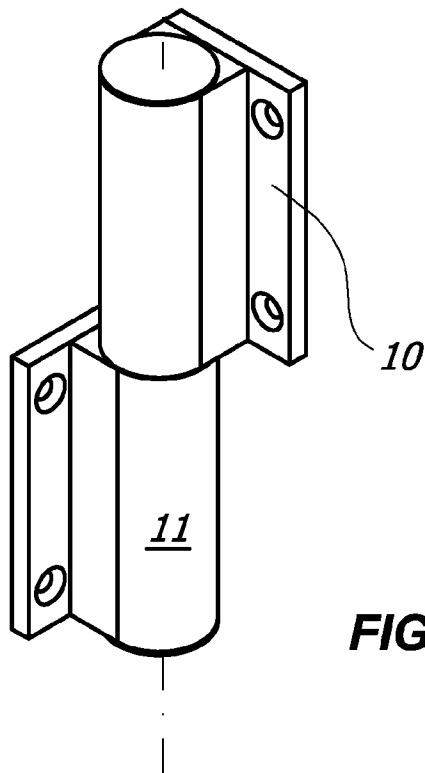


FIG. 22b

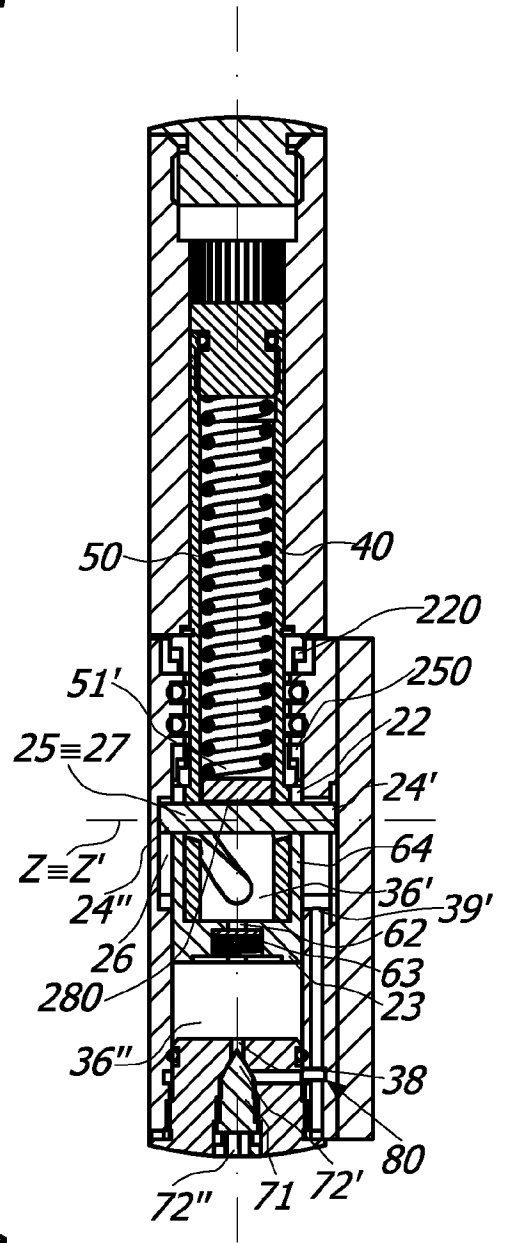


FIG. 22c

22 / 42

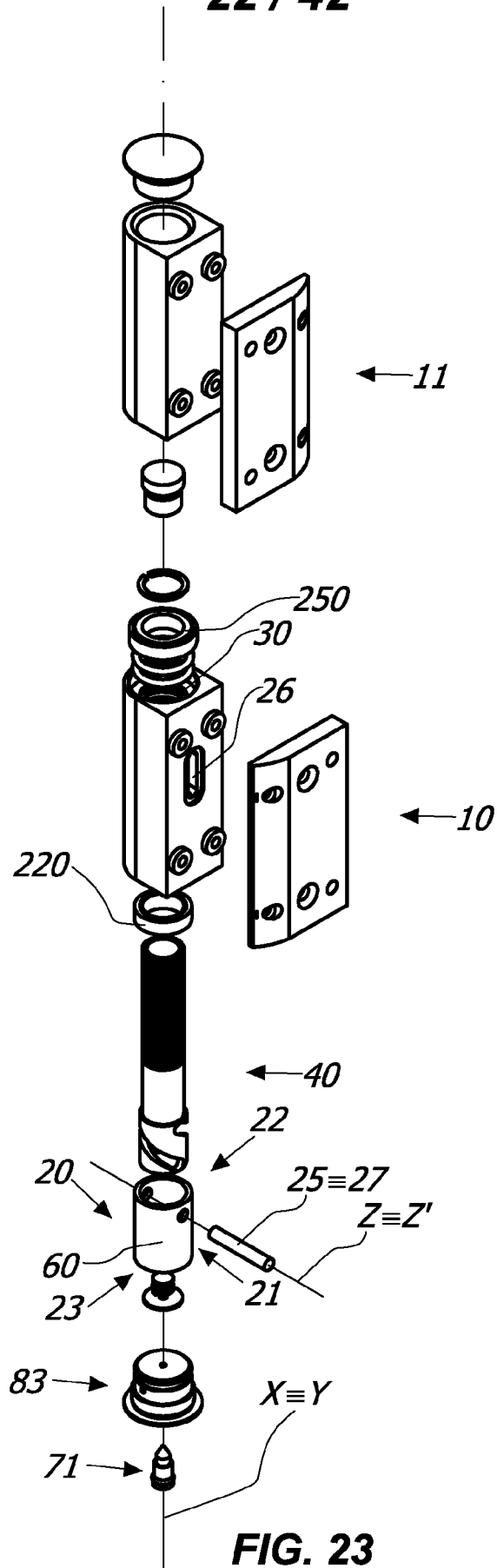


FIG. 23

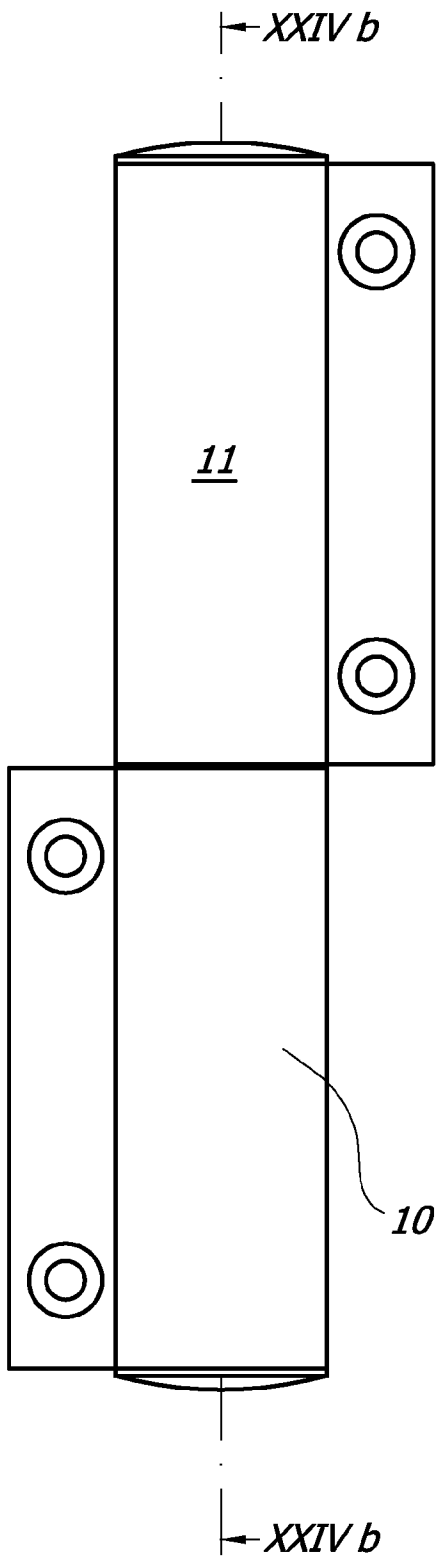


FIG. 24a

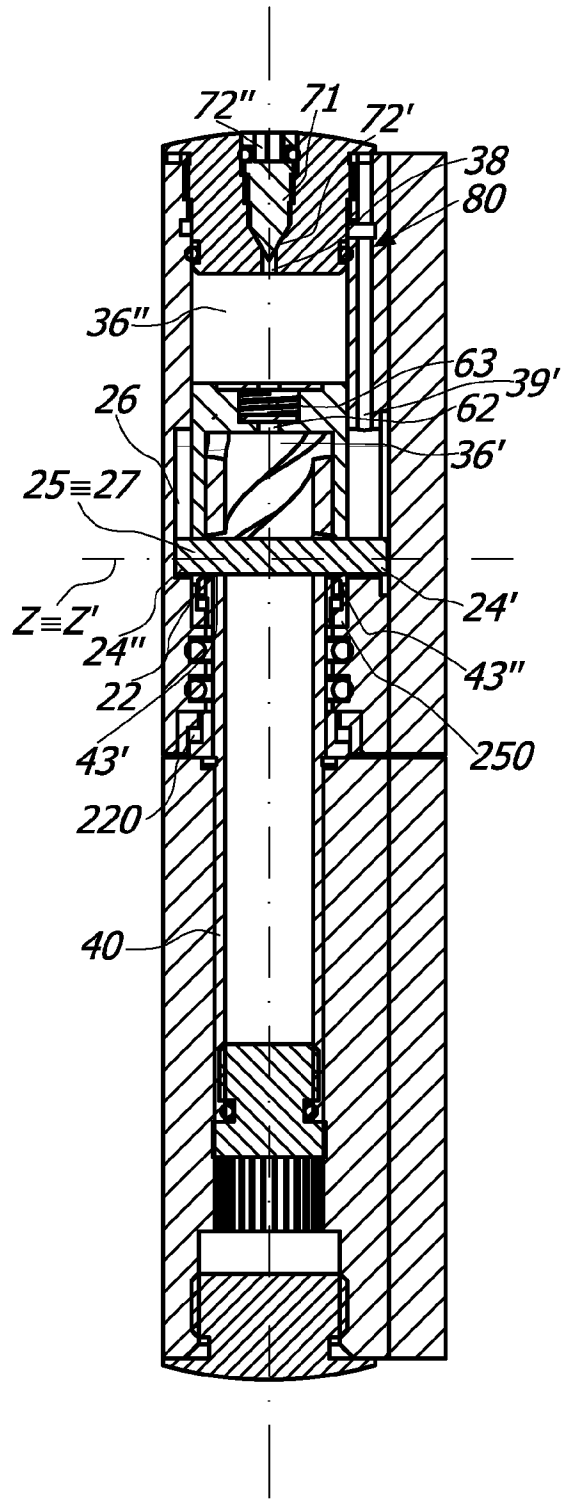


FIG. 24b

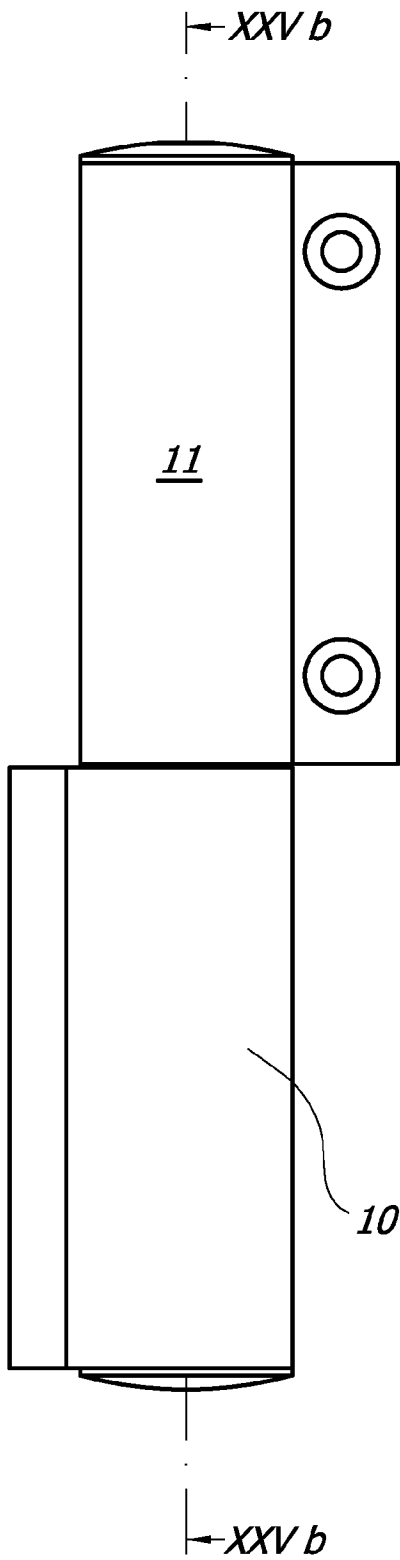


FIG. 25a

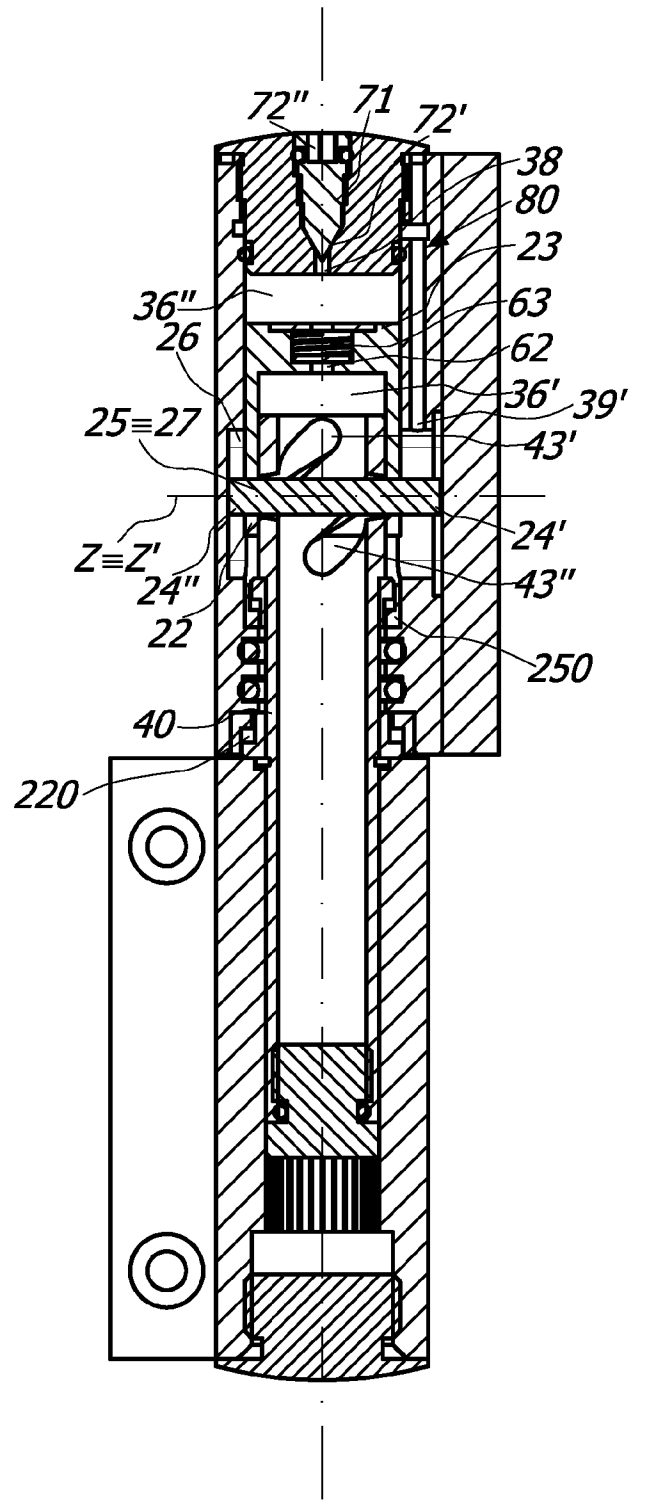


FIG. 25b

25 / 42

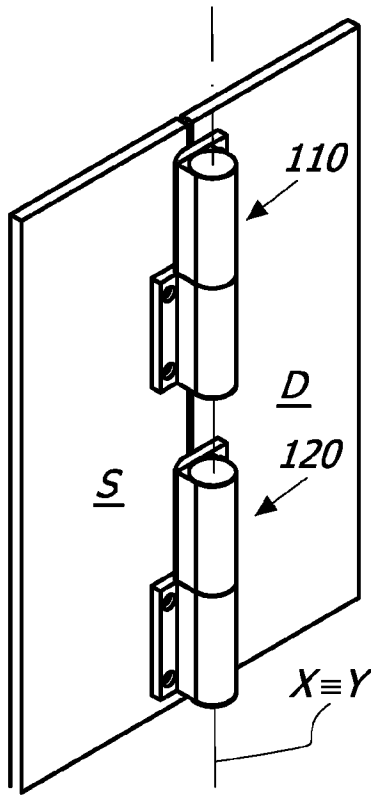


FIG. 26a

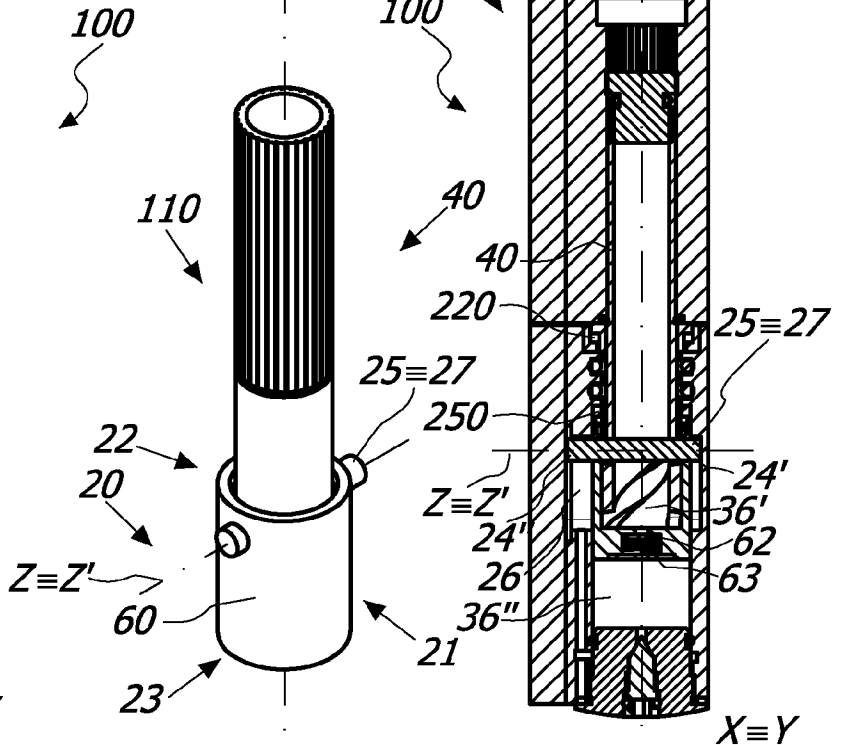


FIG. 26c

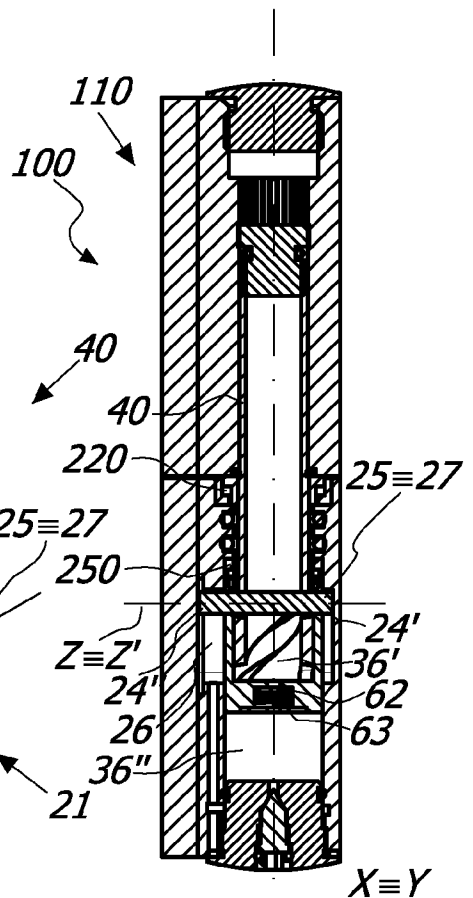


FIG. 26d

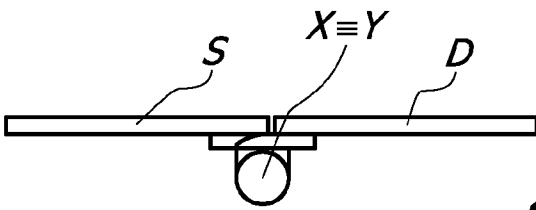
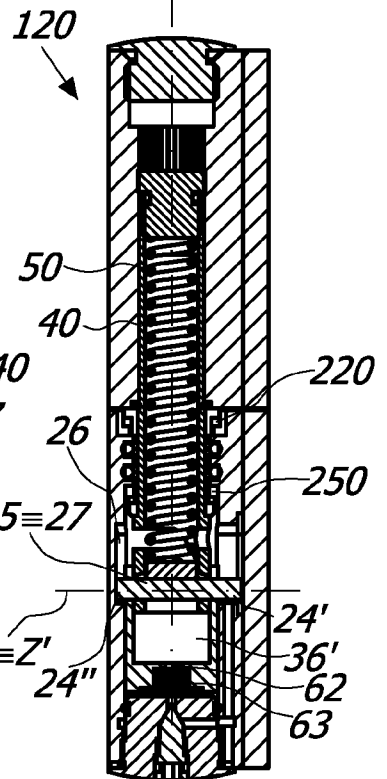
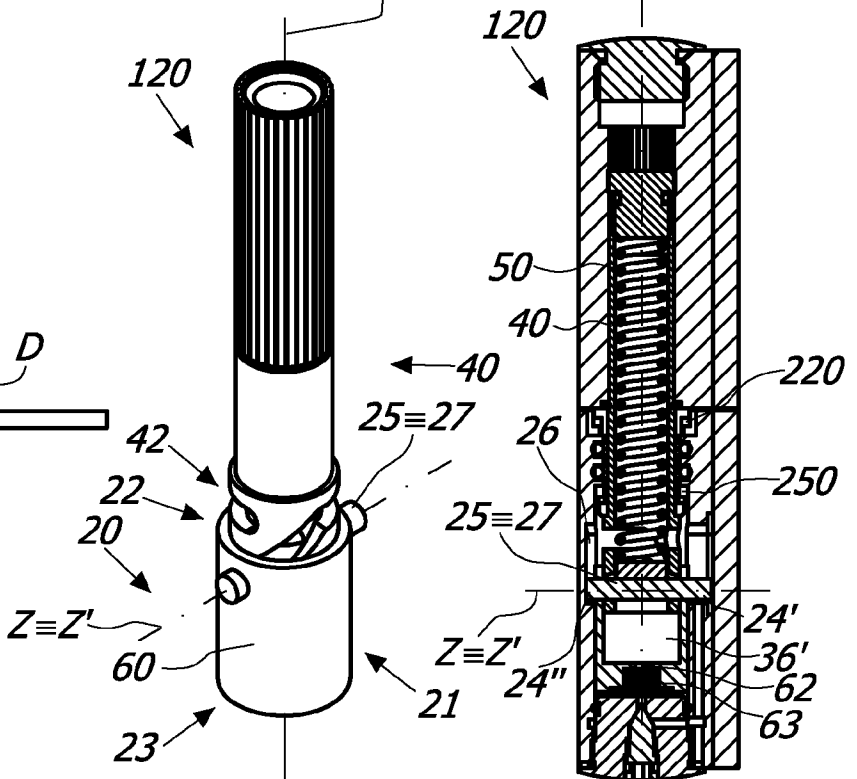
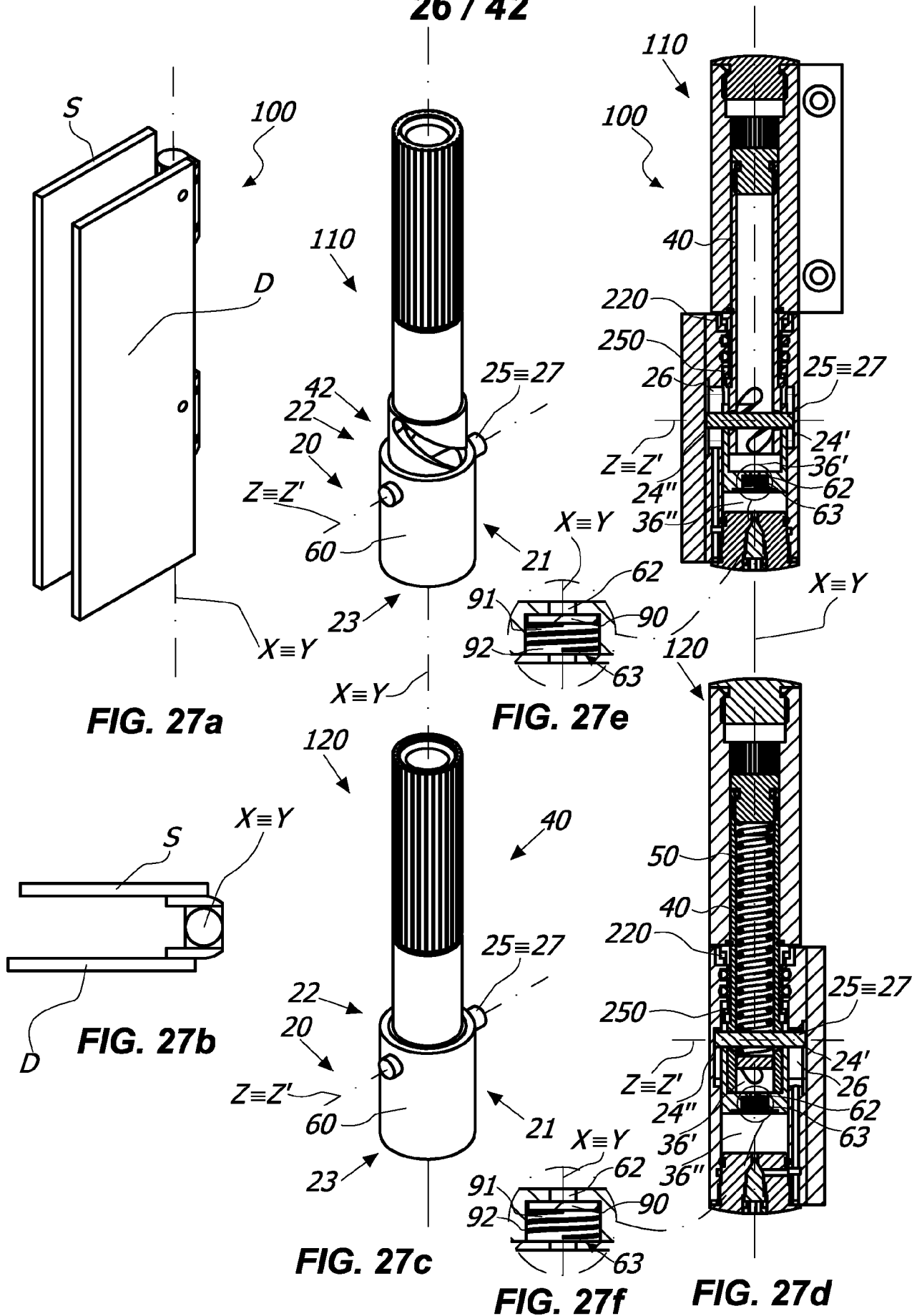


FIG. 26b



26 / 42



27 / 42

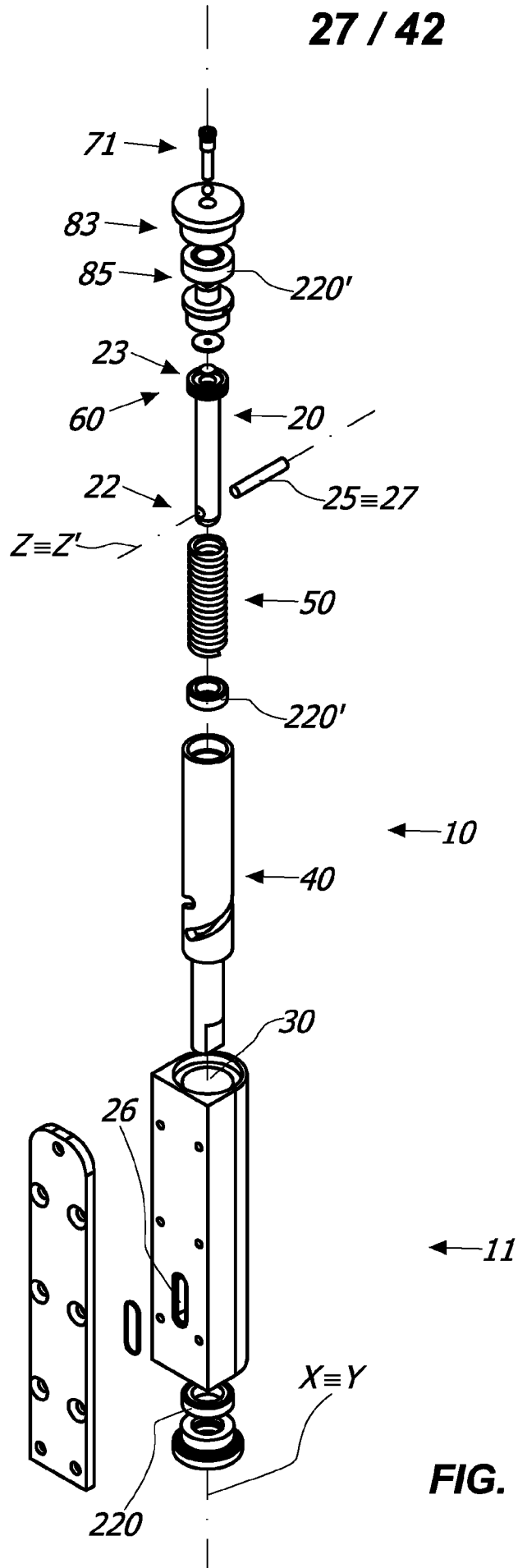


FIG. 28

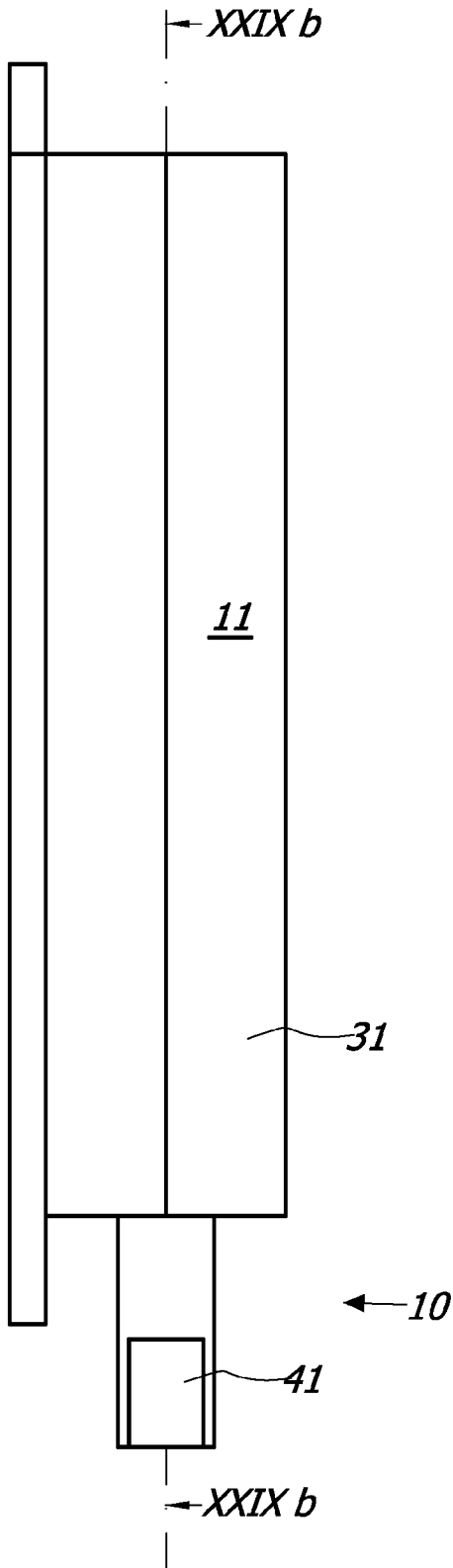


FIG. 29a

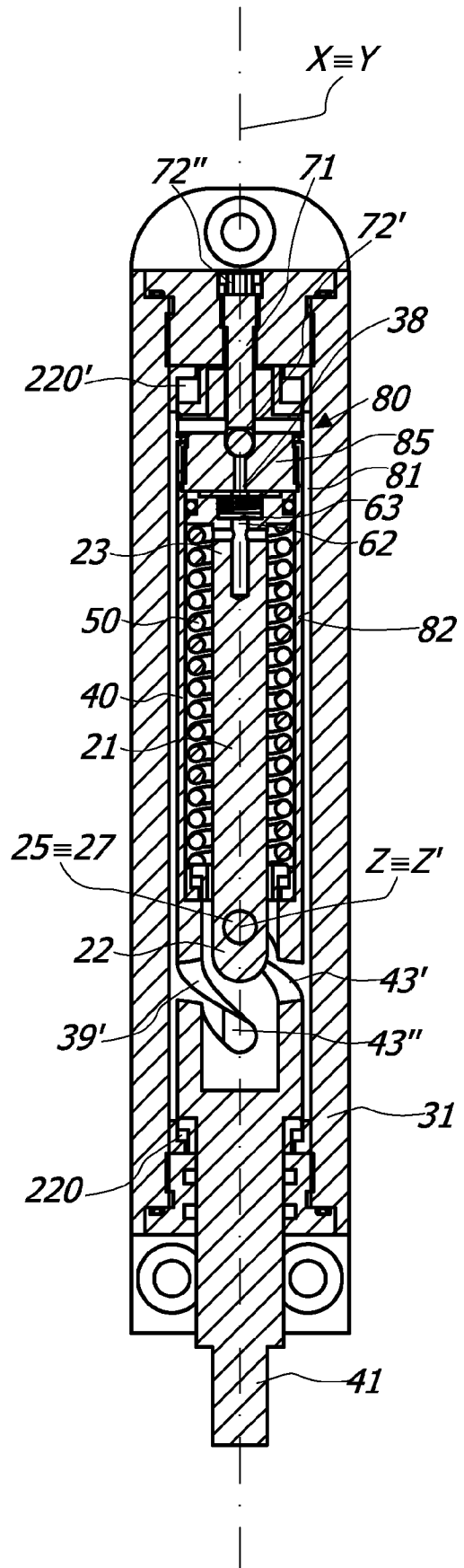


FIG. 29b



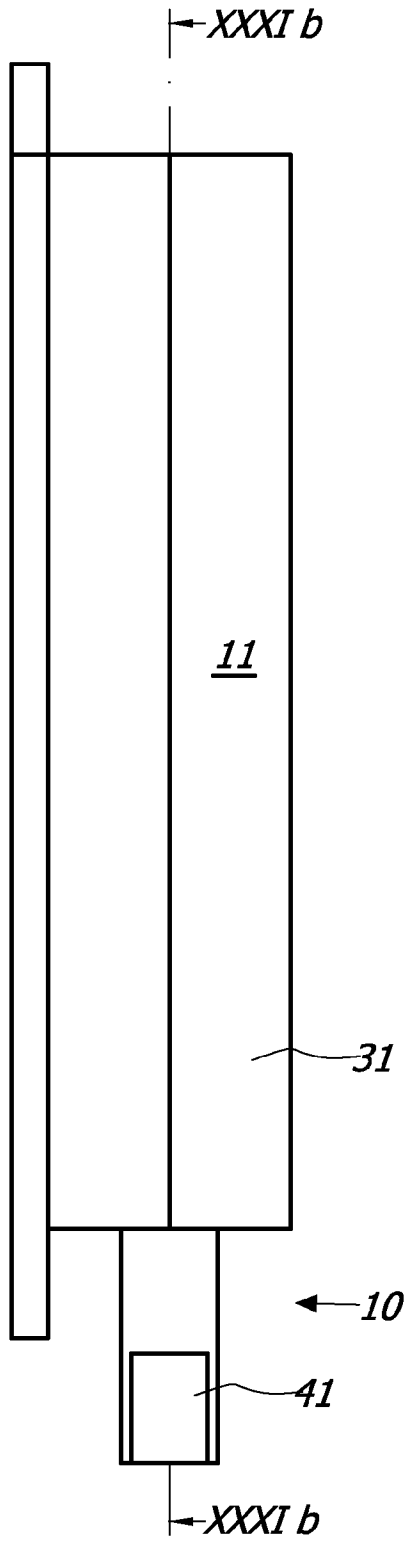


FIG. 31a

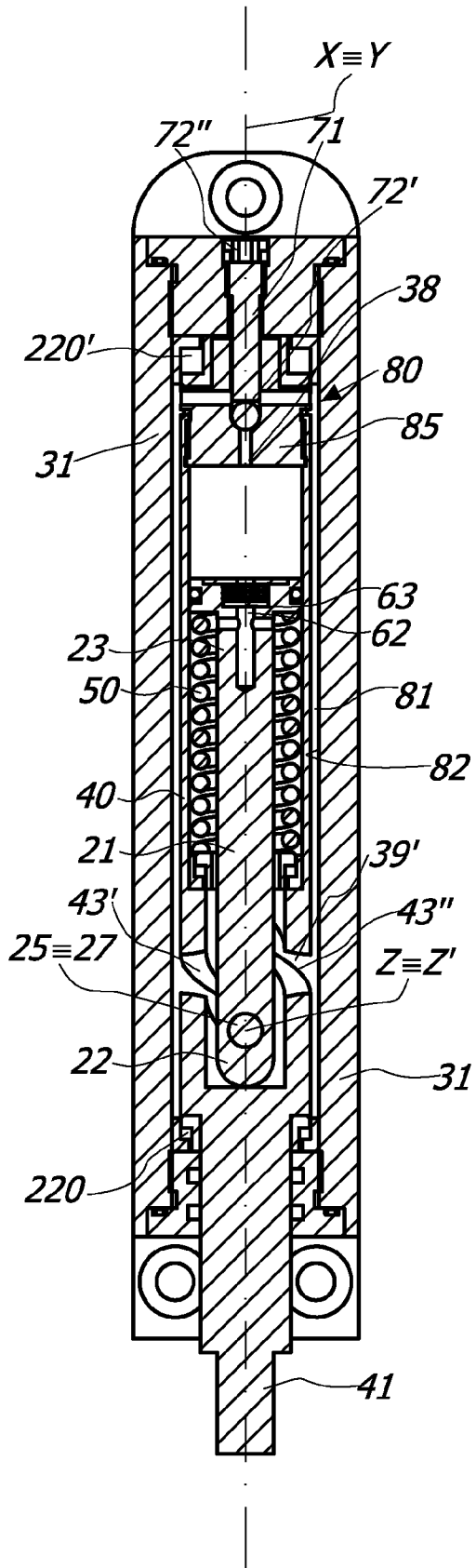
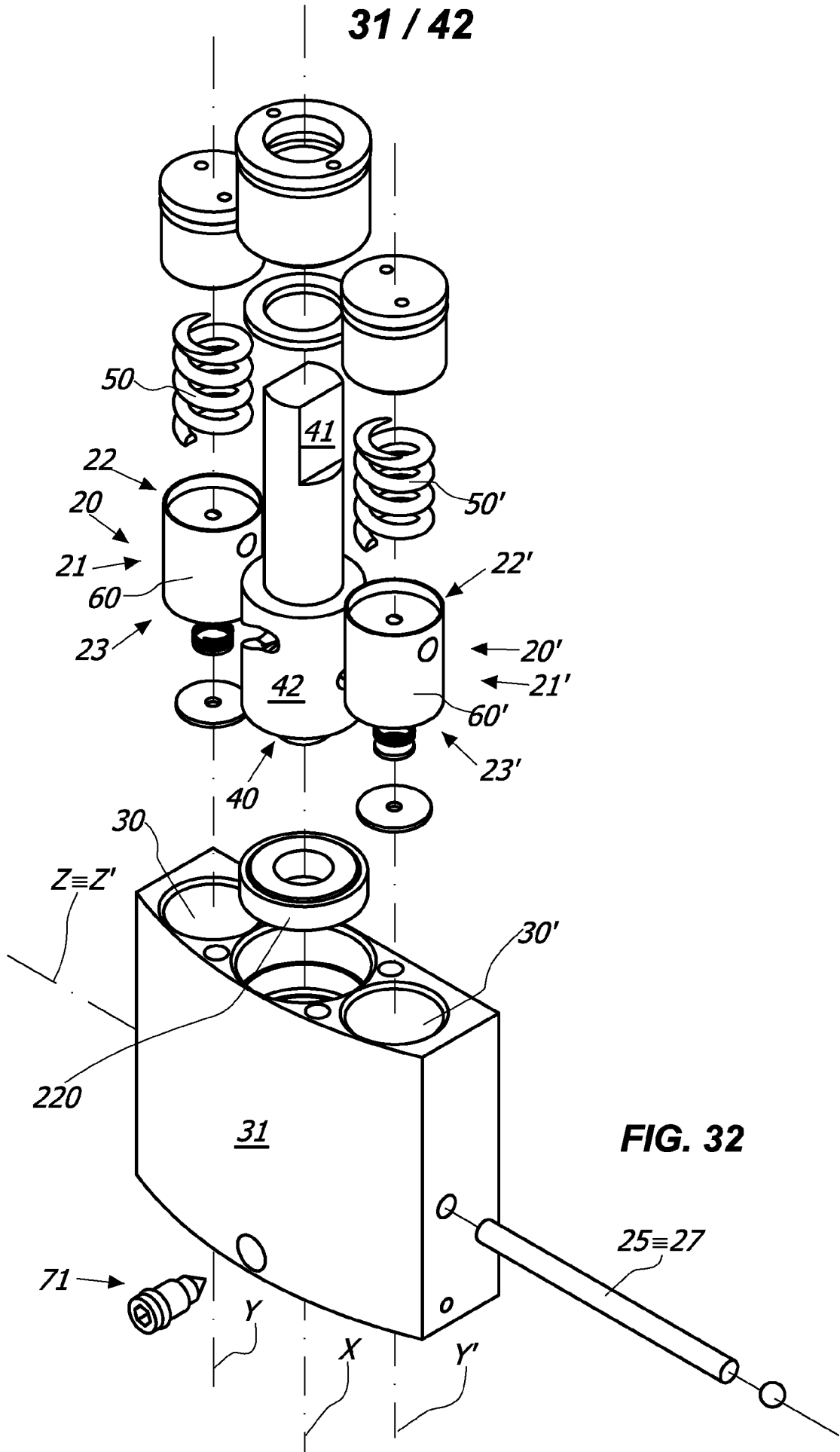


FIG. 31b



**FIG. 32**

32 / 42

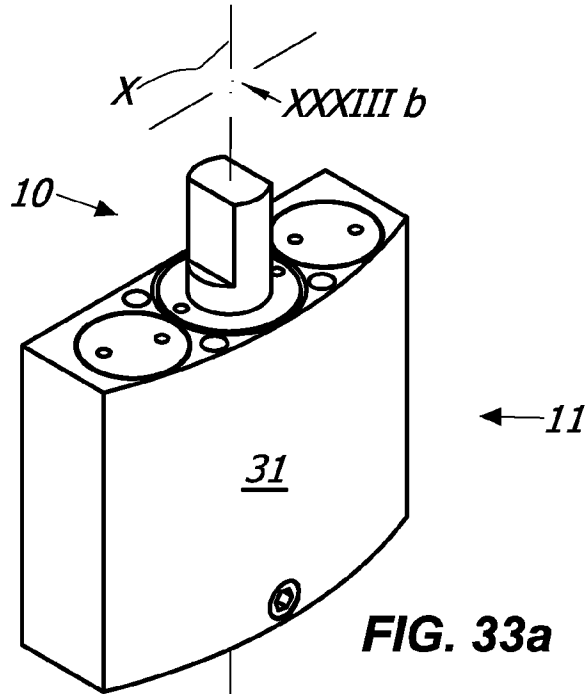


FIG. 33a

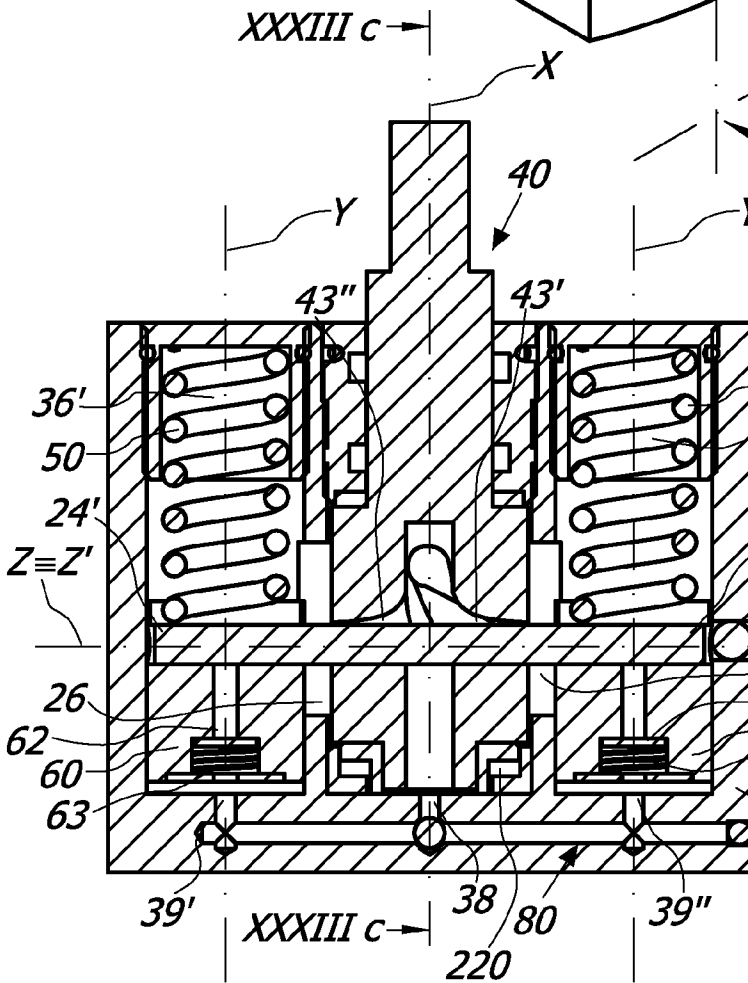


FIG. 33b

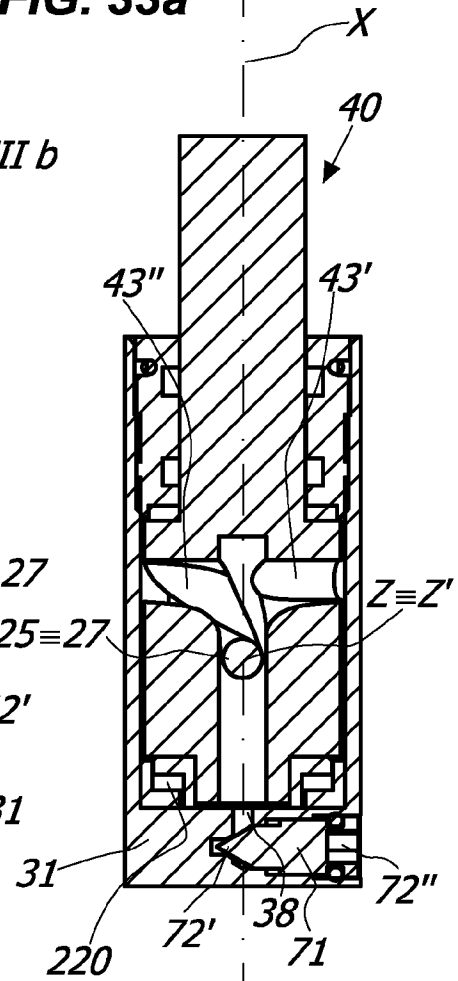


FIG. 33c

33 / 42

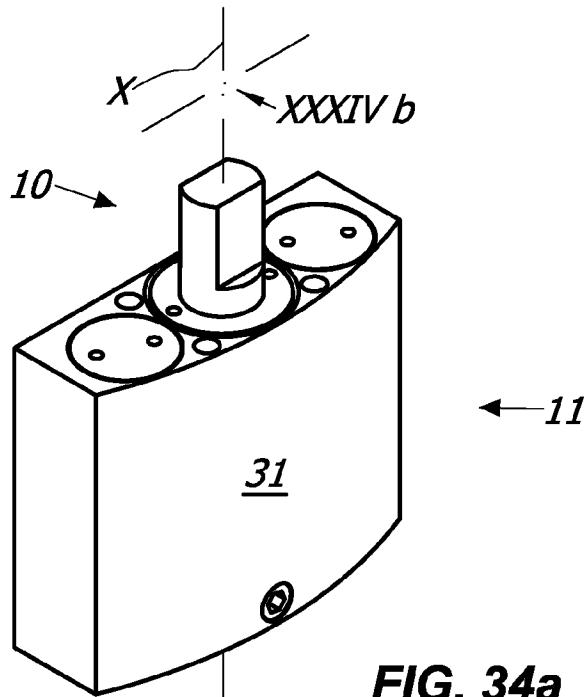


FIG. 34a

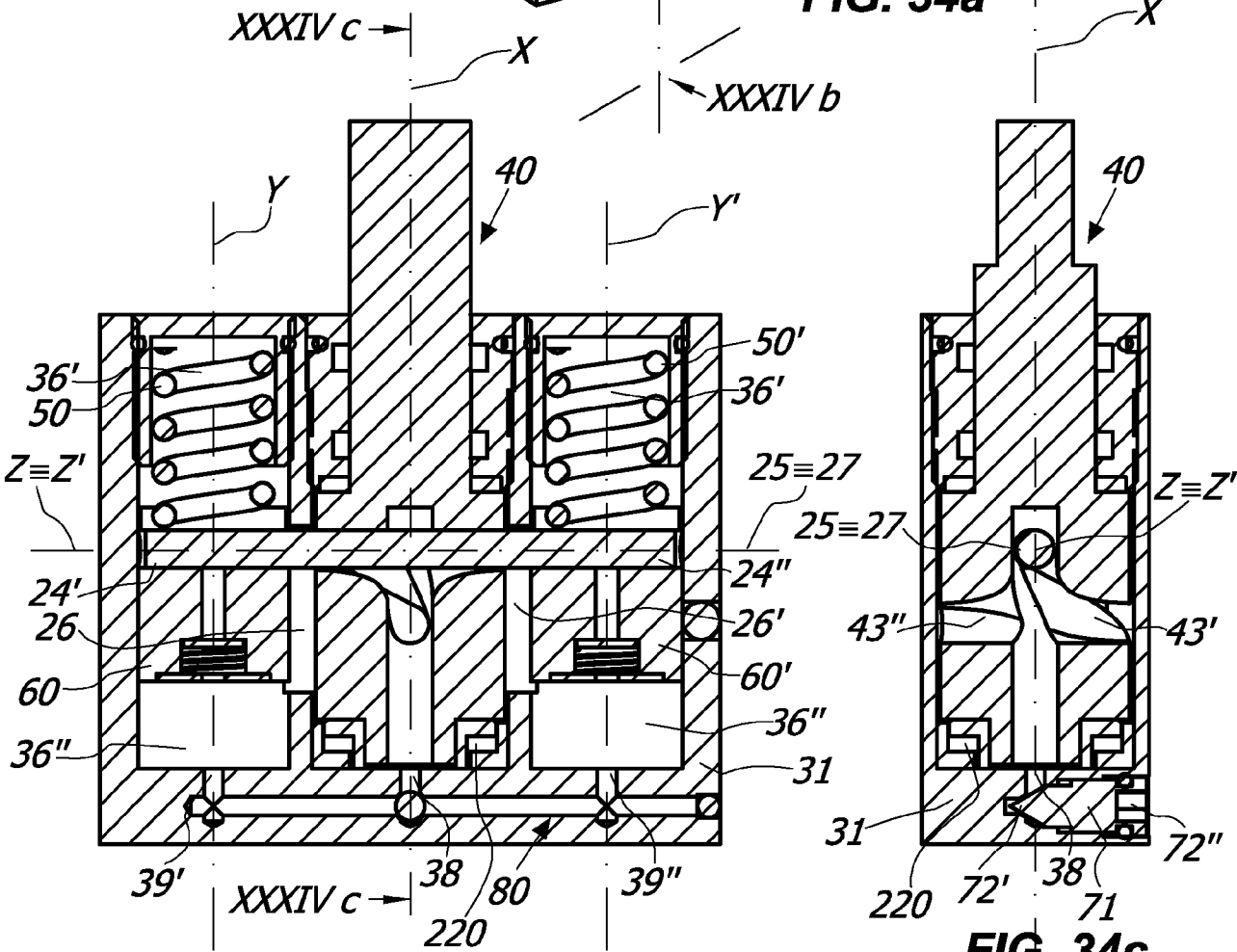


FIG. 34b

FIG. 34c

34 / 42

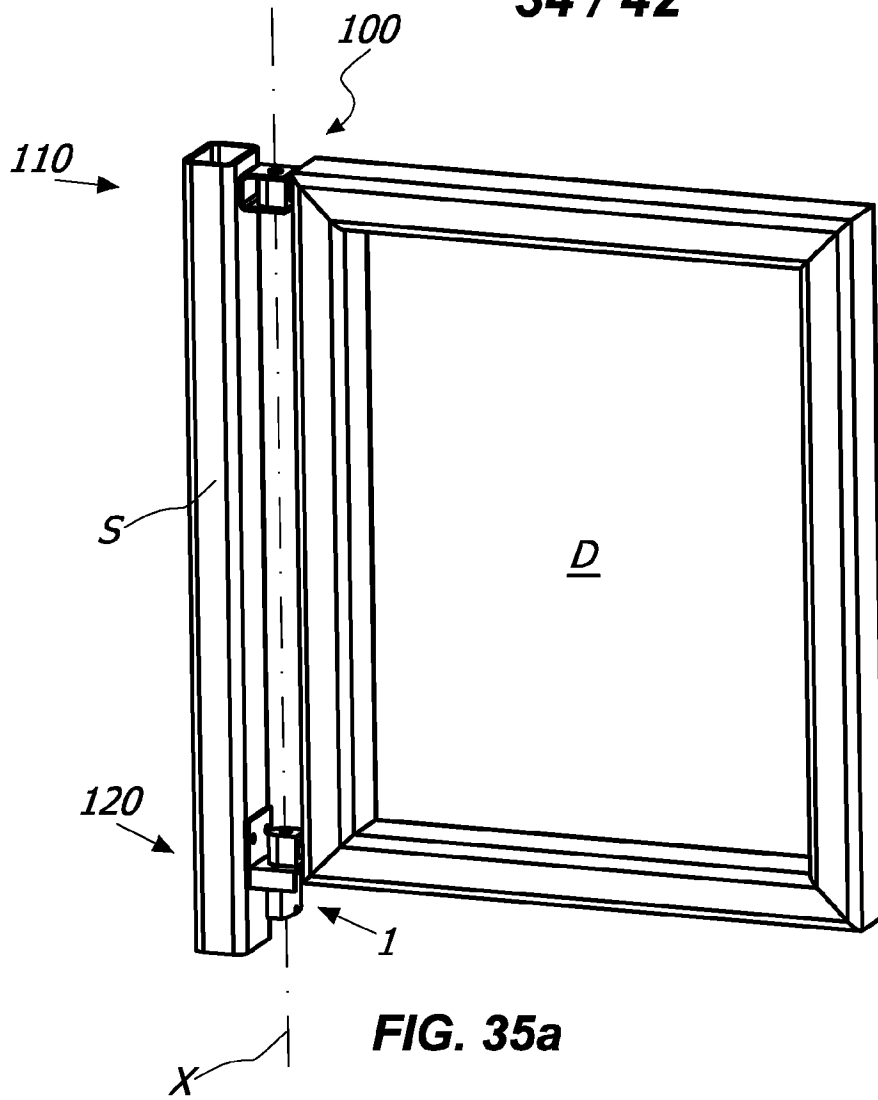


FIG. 35a

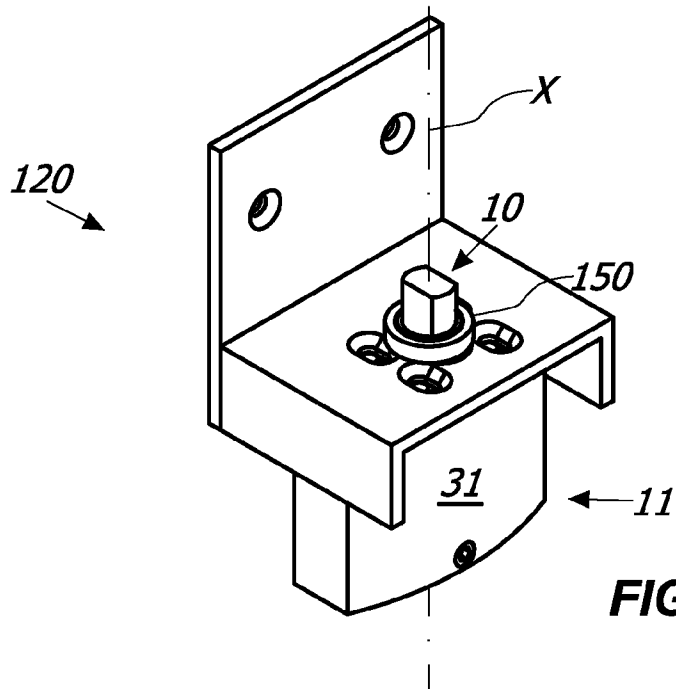
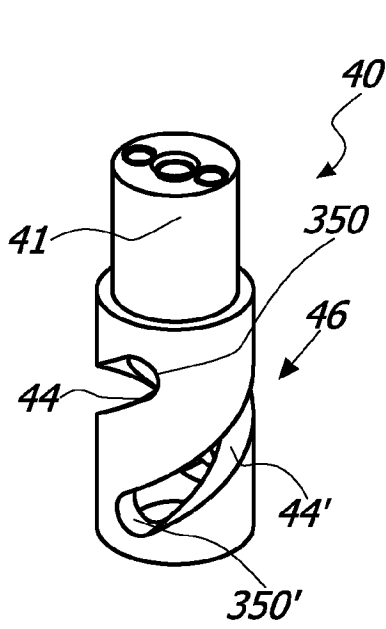
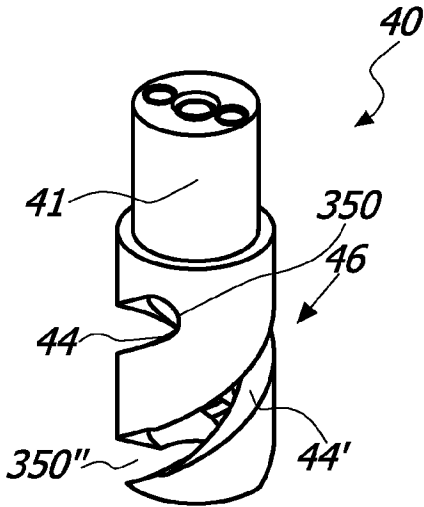


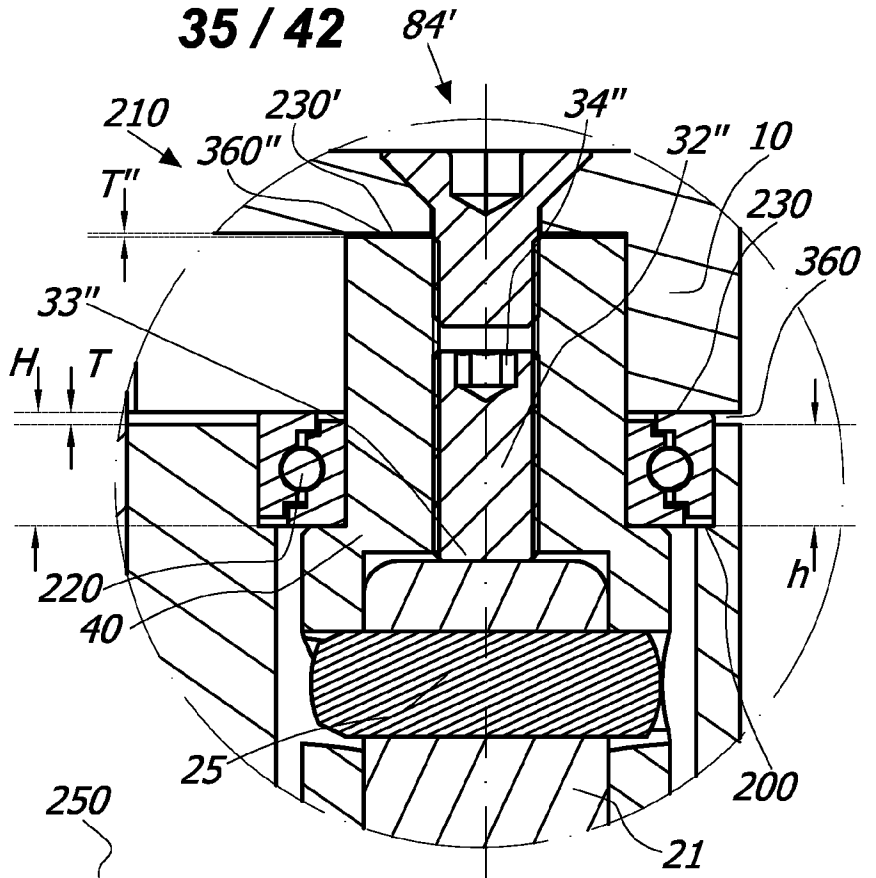
FIG. 35b



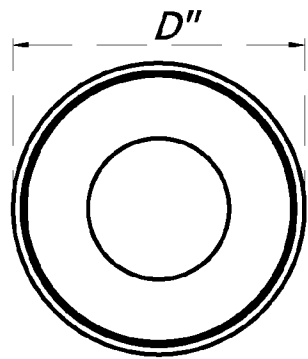
**FIG. 36a**



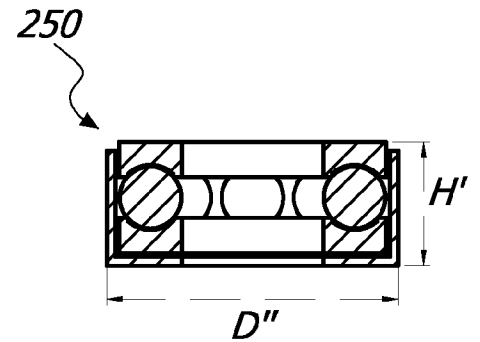
**FIG. 36b**



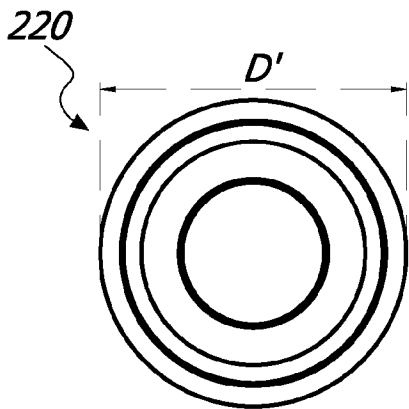
**FIG. 37**



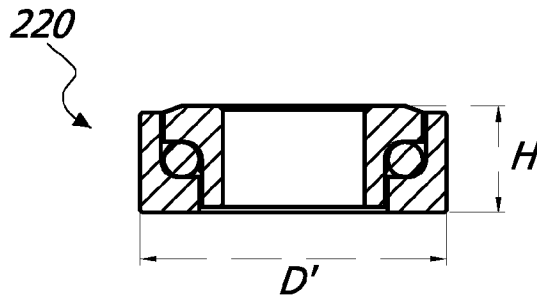
**FIG. 38a**



**FIG. 38b**



**FIG. 39a**



**FIG. 39b**

36 / 42

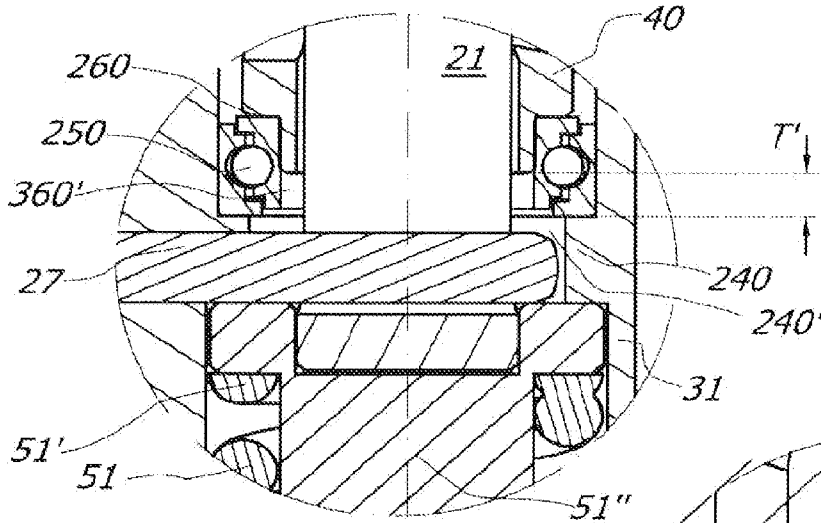


FIG. 39c

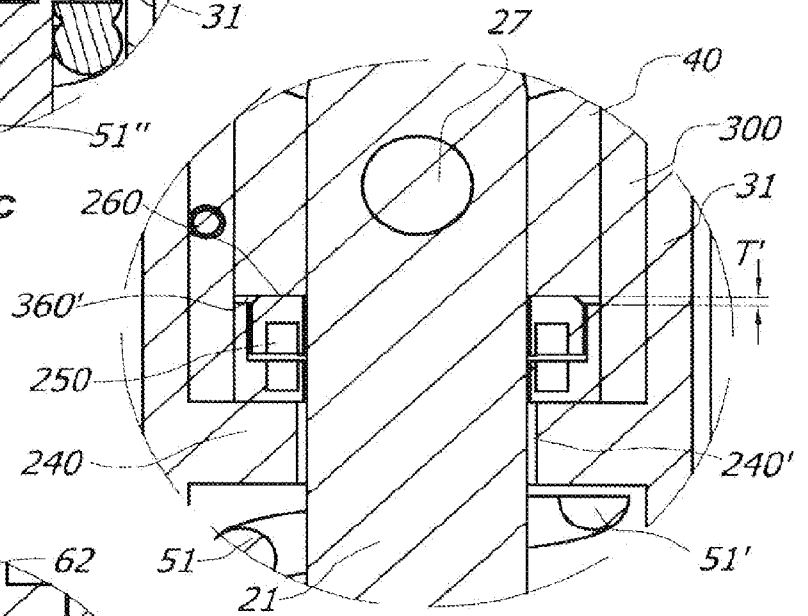


FIG. 39d

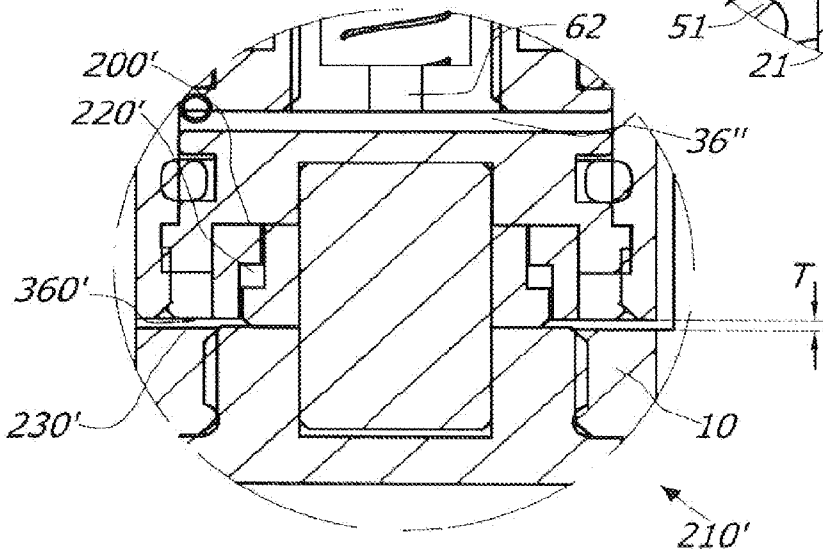


FIG. 39e

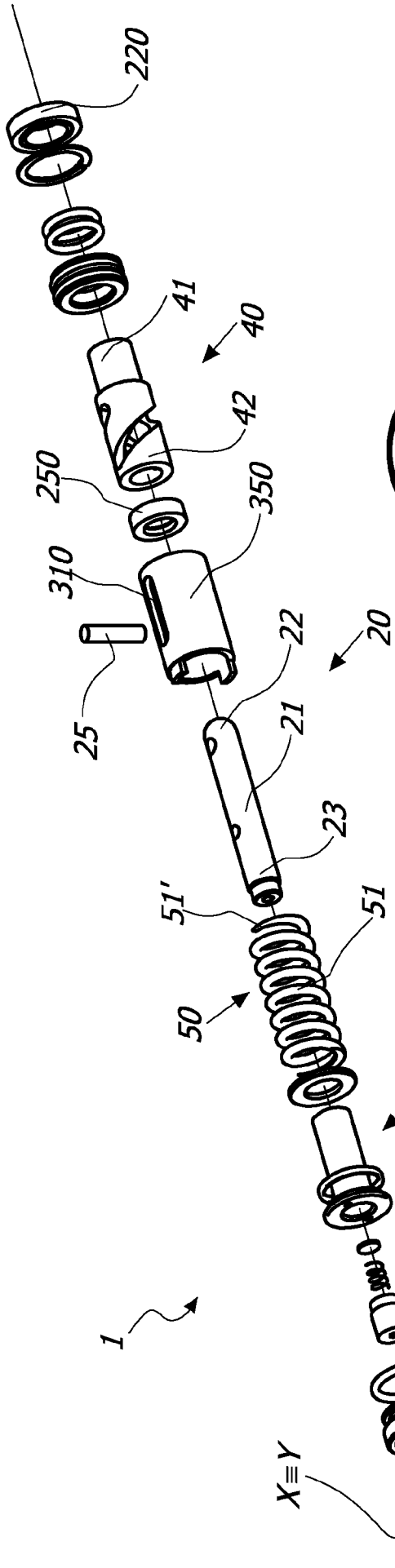


FIG. 40a

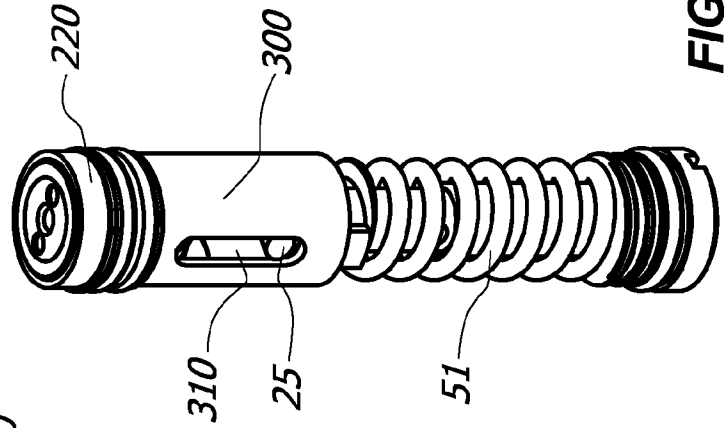


FIG. 40c

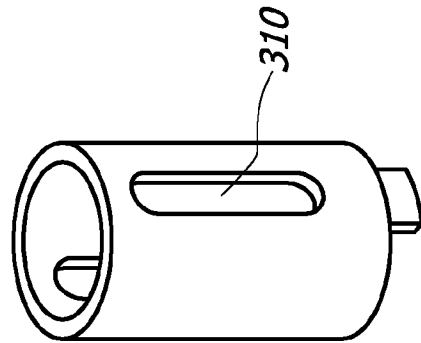
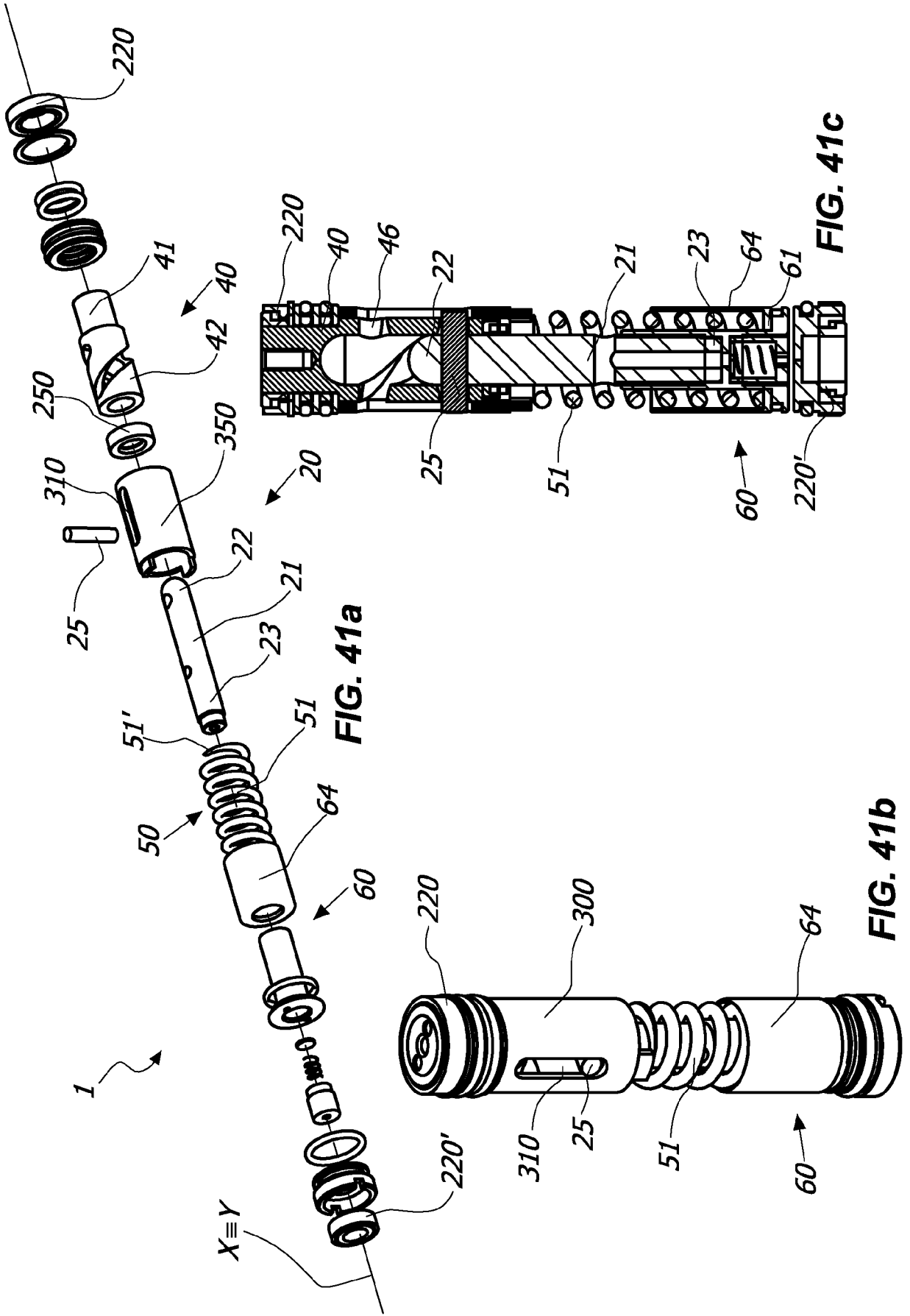


FIG. 40b



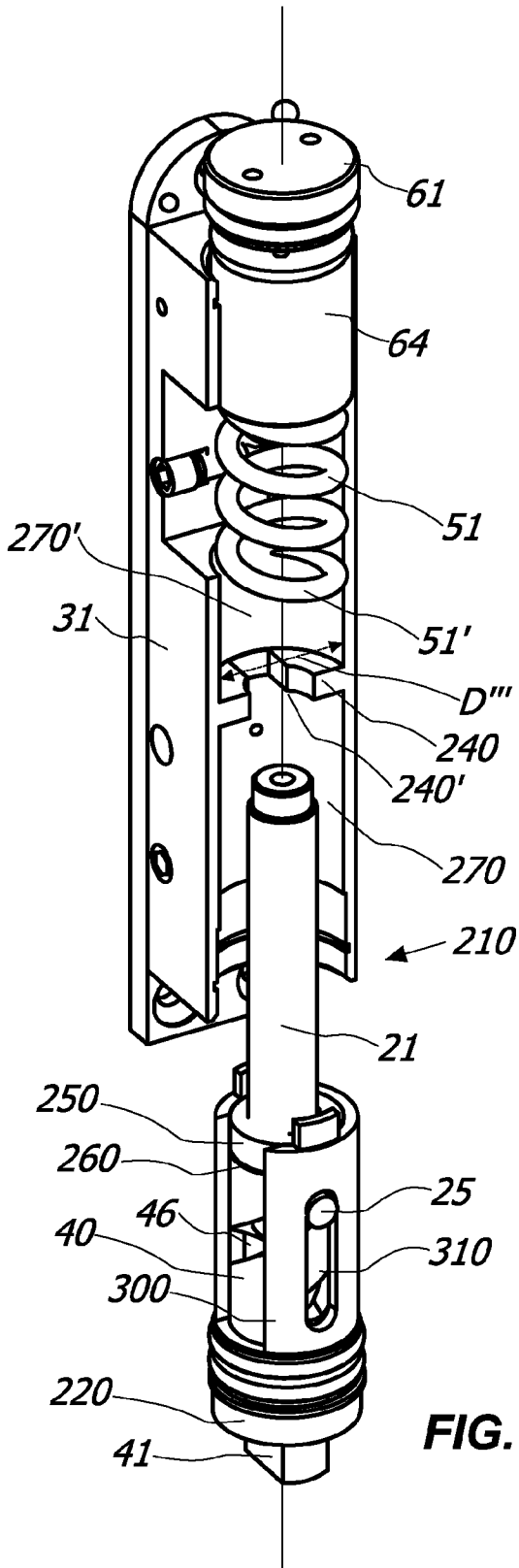


FIG. 42a

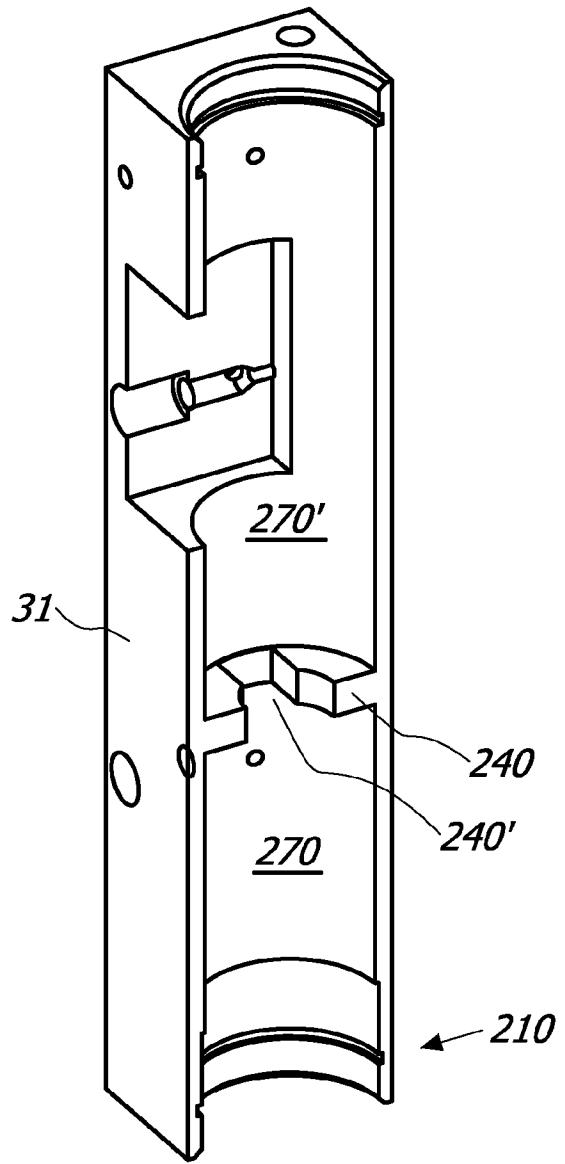
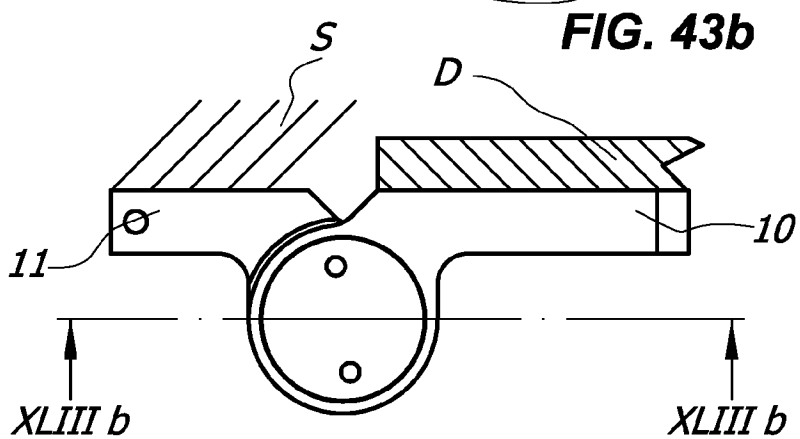
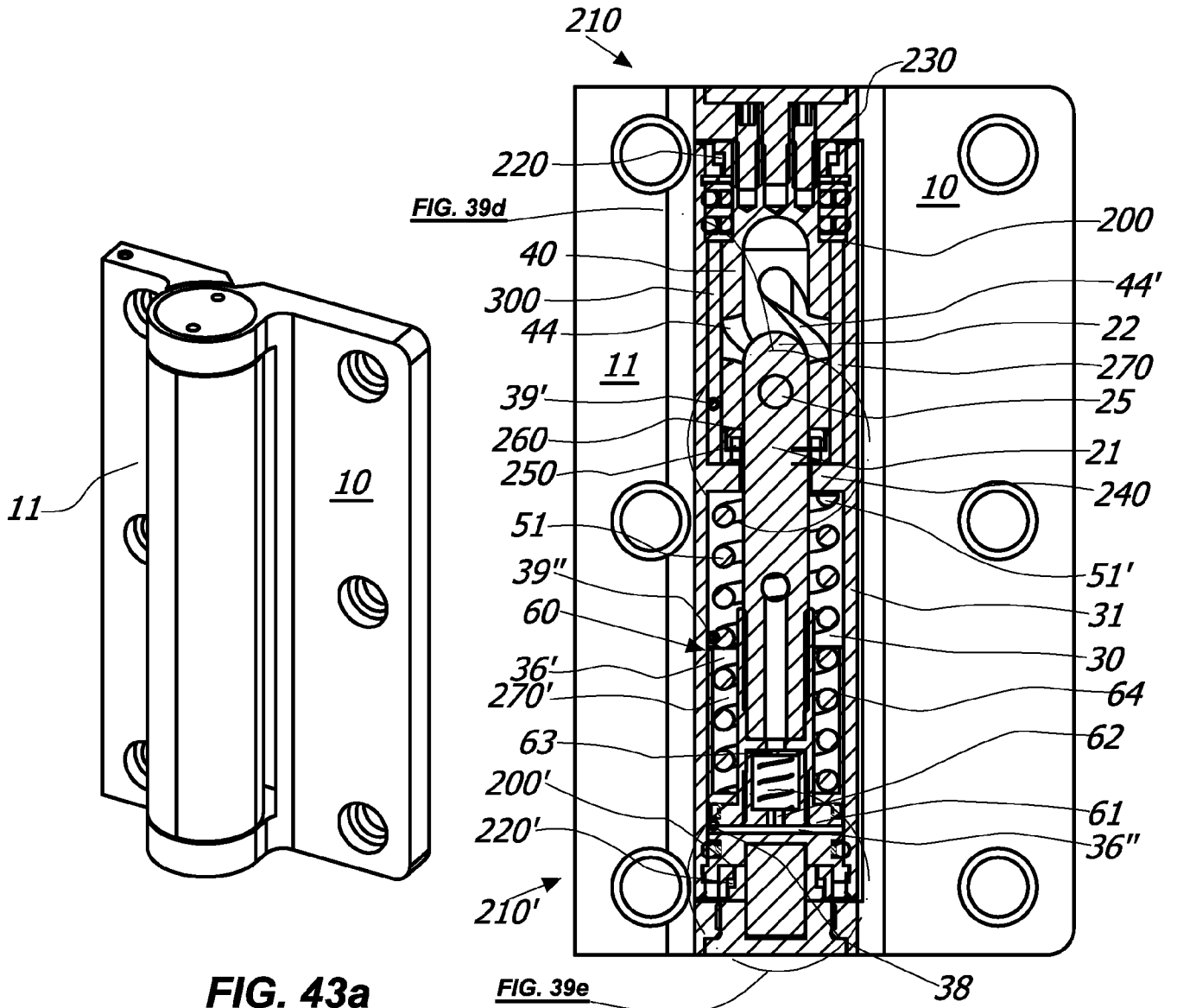


FIG. 42b

40 / 42



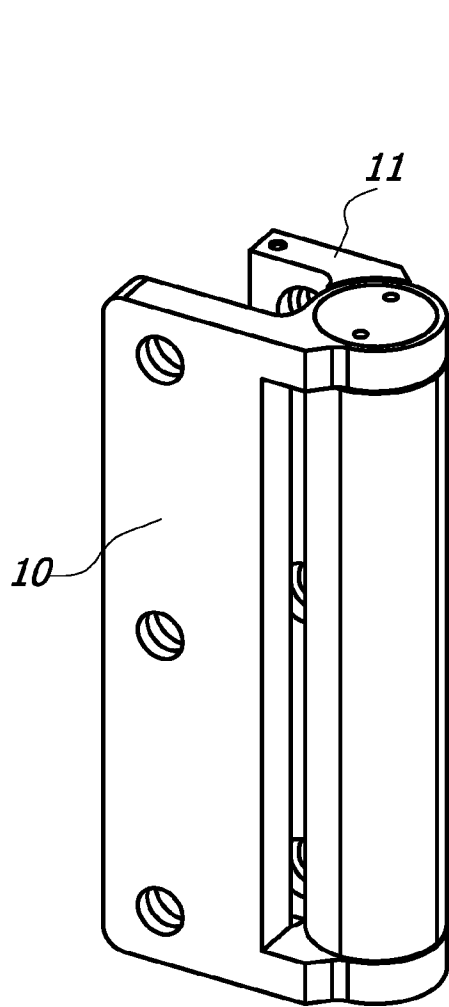


FIG. 44a

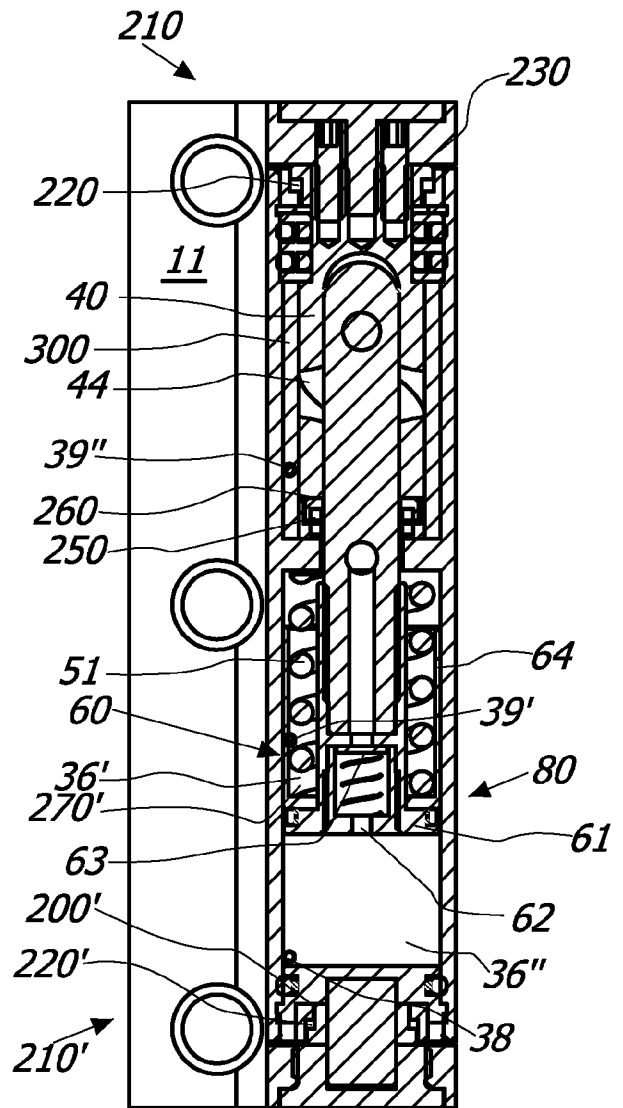


FIG. 44b

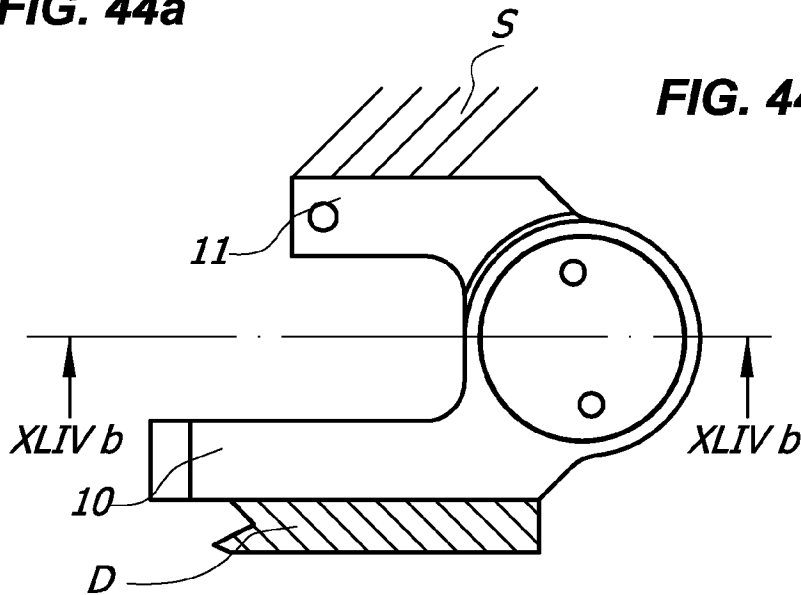


FIG. 44c

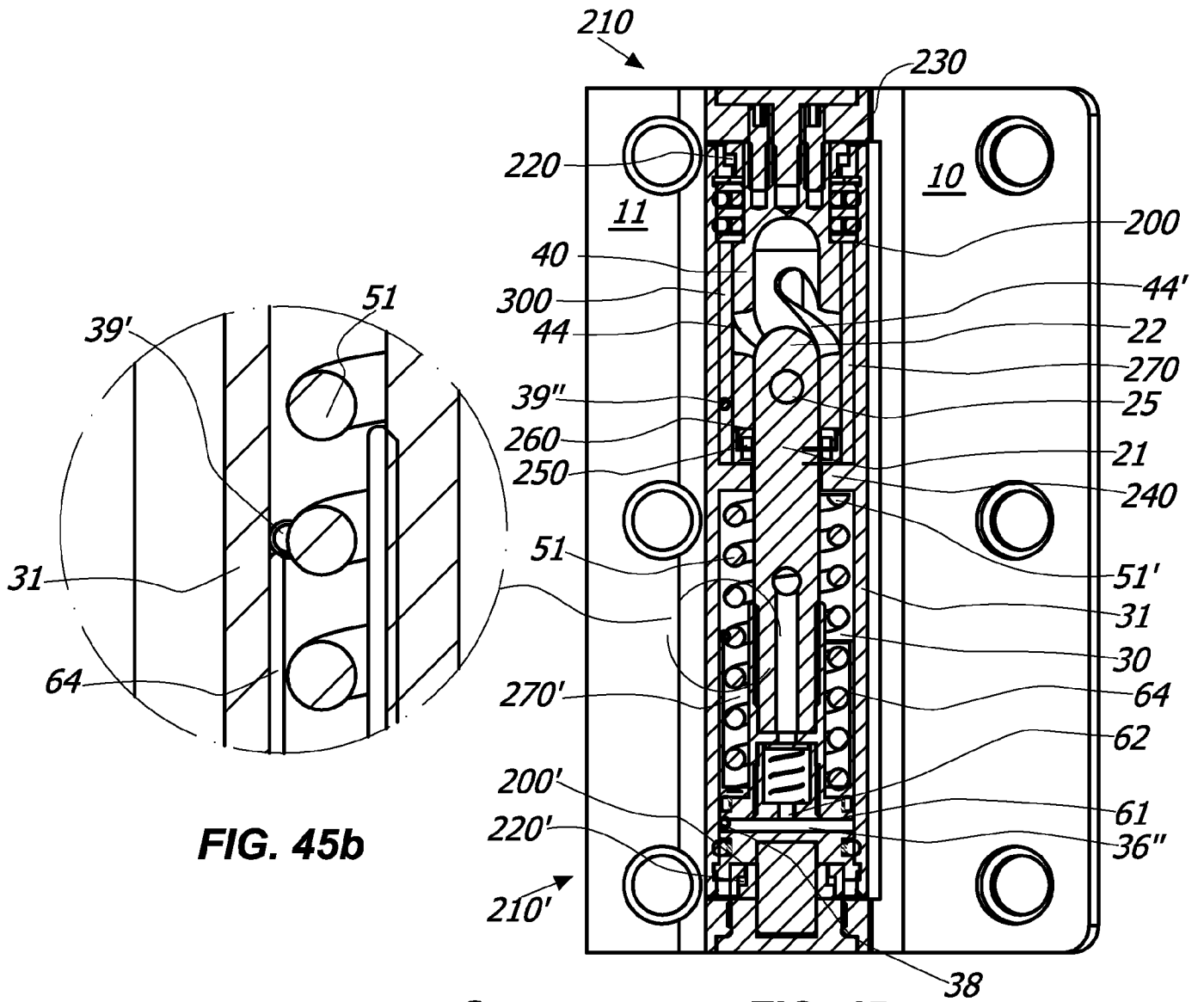


FIG. 45b

FIG. 45a

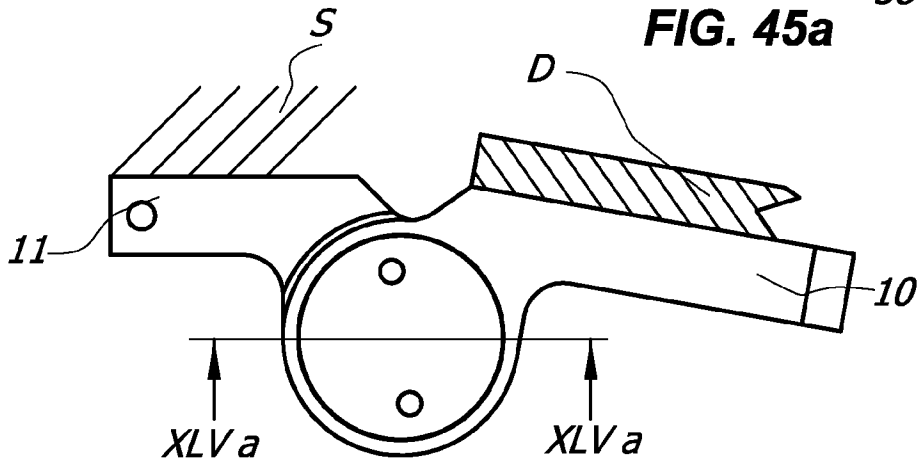


FIG. 45c