



US00D440482S

(12) **United States Design Patent**  
**Chang**

(10) **Patent No.:** **US D440,482 S**

(45) **Date of Patent:** **\*\* Apr. 17, 2001**

- (54) **LUGGAGE HANDLE**
- (75) Inventor: **Ming Hsi Chang**, Hsin Chuang (TW)
- (73) Assignee: **Chaw Khong Technology Co., Ltd.**, Taipei (TW)
- (\*\*) Term: **14 Years**
- (21) Appl. No.: **29/121,648**
- (22) Filed: **Apr. 12, 2000**
- (51) **LOC (7) Cl.** ..... **08-06**
- (52) **U.S. Cl.** ..... **D8/320; D8/319**
- (58) **Field of Search** ..... D8/300, 306, 315-320;  
D3/276, 279, 291; 190/18 A, 39, 100, 115-118;  
16/114.1, 407

- 5,526,908 \* 6/1996 Wang ..... 190/115
- 5,624,012 \* 4/1997 Wang ..... 190/115
- 5,806,142 \* 9/1998 Wang ..... 190/115
- 6,061,871 \* 5/2000 Wang ..... 190/115

\* cited by examiner

*Primary Examiner*—B. J. Bullock  
(74) *Attorney, Agent, or Firm*—Dougherty & Troxell

(57) **CLAIM**

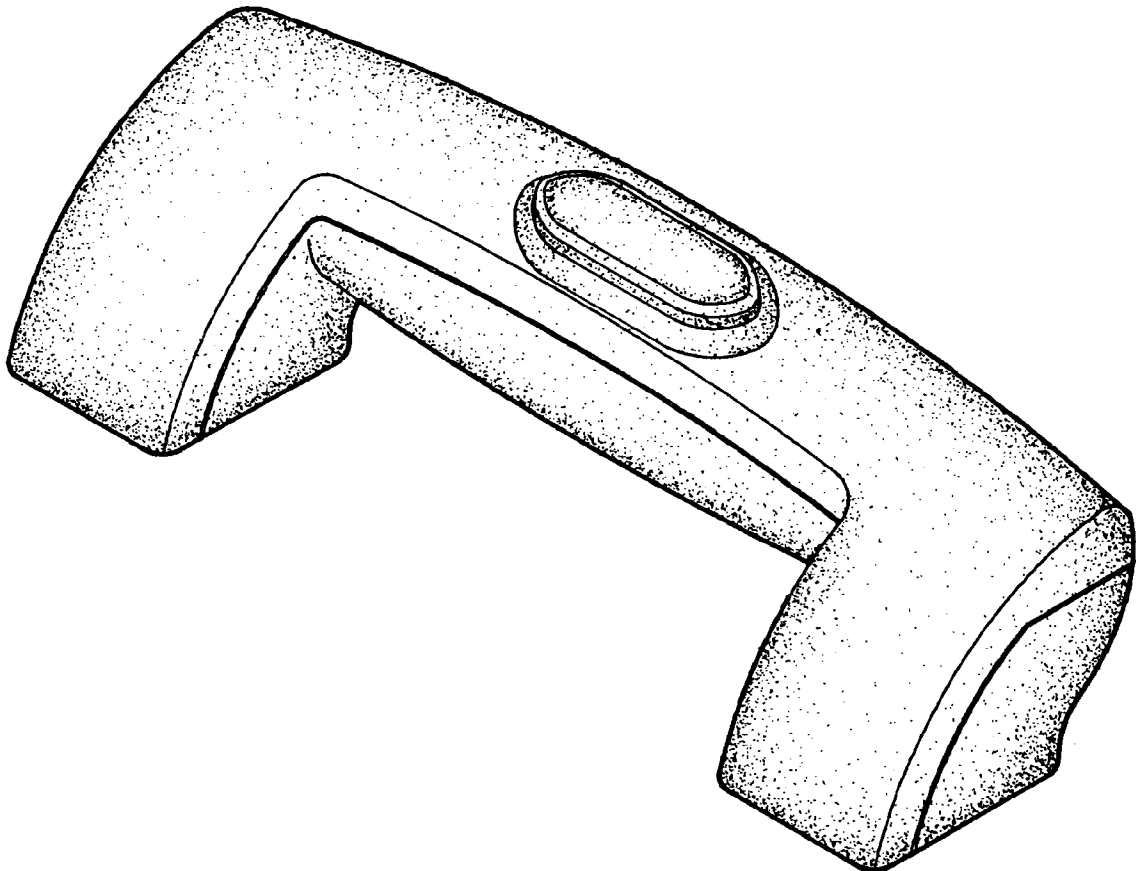
The ornamental design for a luggage handle, as shown.

**DESCRIPTION**

FIG. 1 is a perspective view of the luggage handle of this invention;  
FIG. 2 is a front elevational view thereof;  
FIG. 3 is a rear elevational view thereof;  
FIG. 4 is a left side elevational view thereof;  
FIG. 5 is a right side elevational view thereof;  
FIG. 6 is a top plan view thereof; and,  
FIG. 7 is a bottom plan view thereof.

- (56) **References Cited**
- U.S. PATENT DOCUMENTS**
- D. 409,472 \* 5/1999 Wang ..... D8/320
- D. 422,879 \* 4/2000 Lu ..... D8/320
- D. 424,400 \* 5/2000 Lin ..... D8/320

**1 Claim, 4 Drawing Sheets**



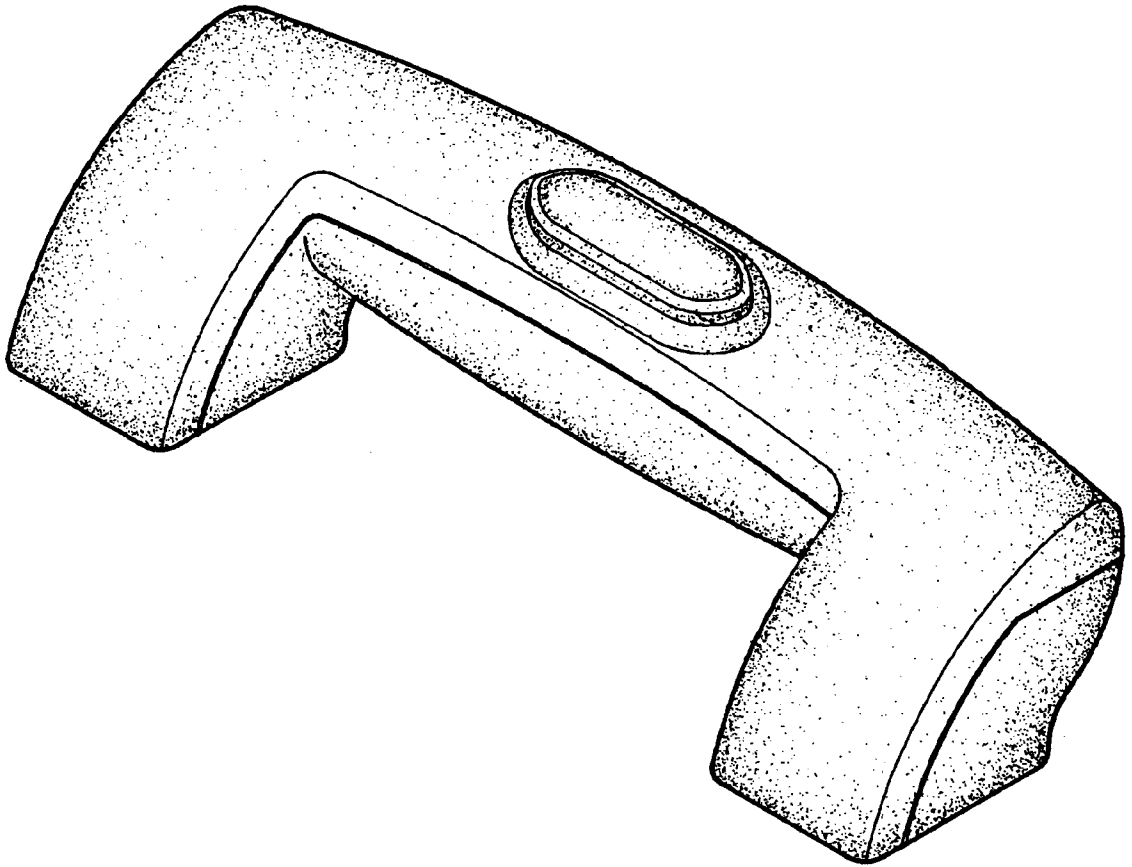


FIG. 1

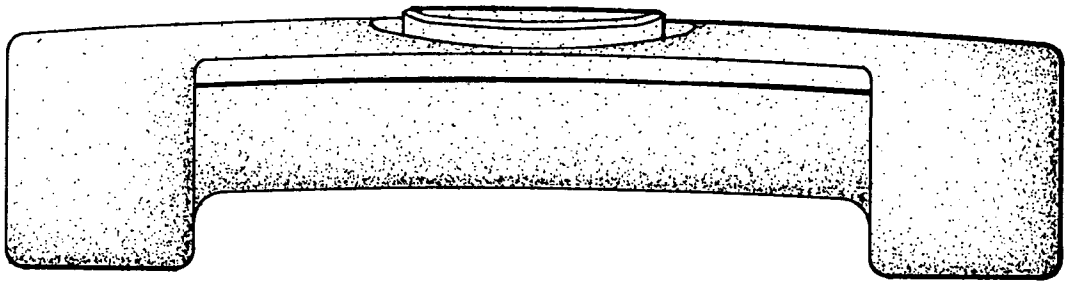


FIG. 2

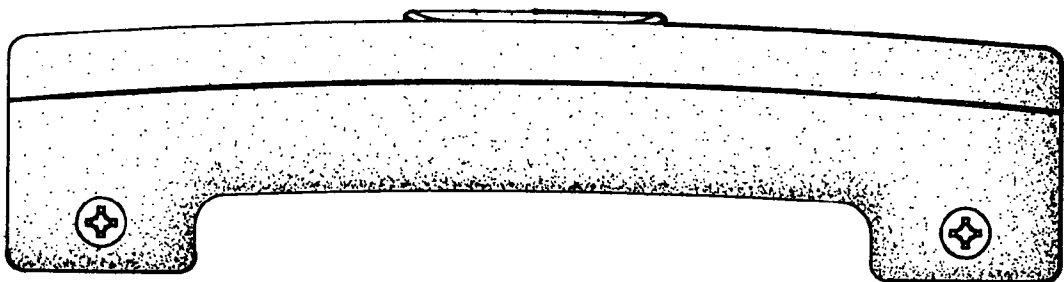


FIG. 3

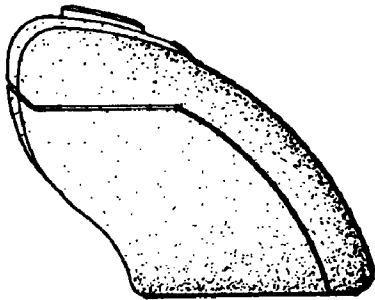


FIG. 4

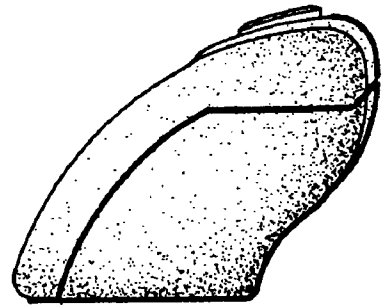


FIG. 5

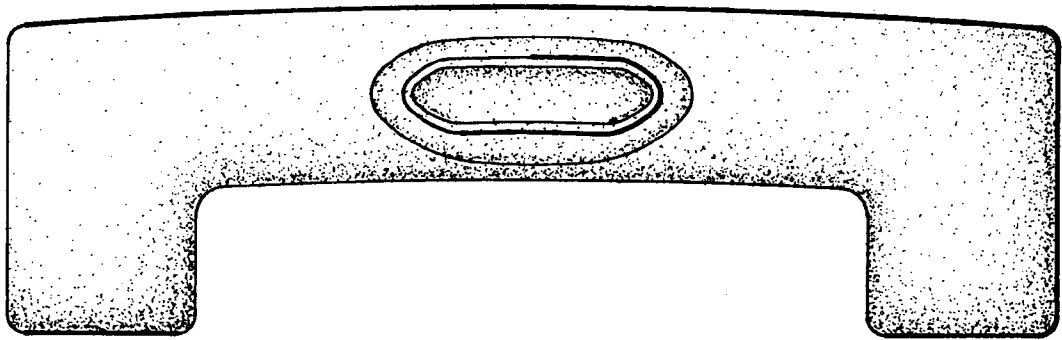


FIG. 6

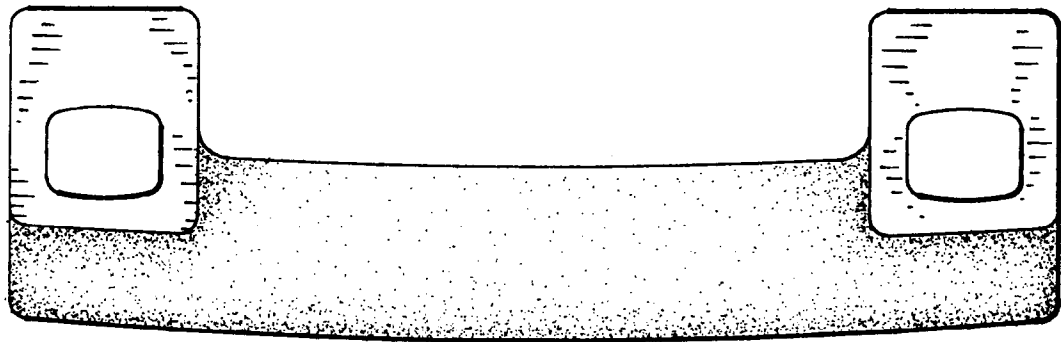


FIG. 7