



US00D970490S

(12) **United States Design Patent**
Zheng

(10) **Patent No.:** **US D970,490 S**

(45) **Date of Patent:** **** Nov. 22, 2022**

(54) **PHONE CASE**

(71) Applicant: **Baoacan Zheng**, Sanming (CN)

(72) Inventor: **Baoacan Zheng**, Sanming (CN)

(**) Term: **15 Years**

(21) Appl. No.: **29/799,732**

(22) Filed: **Jul. 16, 2021**

(51) **LOC (13) Cl.** **14-03**

(52) **U.S. Cl.**
USPC **D14/250**

(58) **Field of Classification Search**

USPC D14/203.3–203.7, 439, 251–253, 447,
D14/217, 240, 238.1, 440, 248, 250;
D13/103, 107–108, 119; D3/201, 218,
D3/247, 249, 269, 273, 301, 303
CPC H04B 1/3888; A45C 11/00; A45C 13/02;
A45C 2011/002; A45C 1/06; A45F
2200/0525; A45F 2005/026; A45F
2200/0516; H04M 1/0283; H04M 1/0202
See application file for complete search history.

(56) **References Cited**

U.S. PATENT DOCUMENTS

D436,139 S *	1/2001	Cummings	D21/349
8,485,672 B2 *	7/2013	Benson	G02B 5/124 359/530
D700,174 S *	2/2014	Li	D14/248
D774,358 S *	12/2016	Joseph	D7/532
D778,271 S *	2/2017	Stump	D14/250
D782,460 S *	3/2017	Bertrand	D14/250
D812,600 S *	3/2018	Altaras	D14/250
D840,991 S *	2/2019	Kim	D14/250
D845,292 S *	4/2019	Fitzgerald	D14/250
D850,435 S *	6/2019	Yun	D14/250
D856,319 S	8/2019	Deng	
D857,682 S *	8/2019	Wang	D14/250
D860,999 S *	9/2019	Kim	D14/440

D877,135 S *	3/2020	Kim	D14/250
D895,598 S	9/2020	Kim	
D896,804 S *	9/2020	Lin	D14/250
D903,648 S *	12/2020	Kim	D14/250
D906,334 S *	12/2020	Du	D14/440
D907,023 S *	1/2021	Lee	D14/250
D908,674 S *	1/2021	Kim	D14/250
D908,679 S *	1/2021	Kim	D14/250

(Continued)

Primary Examiner — Carla J Wright

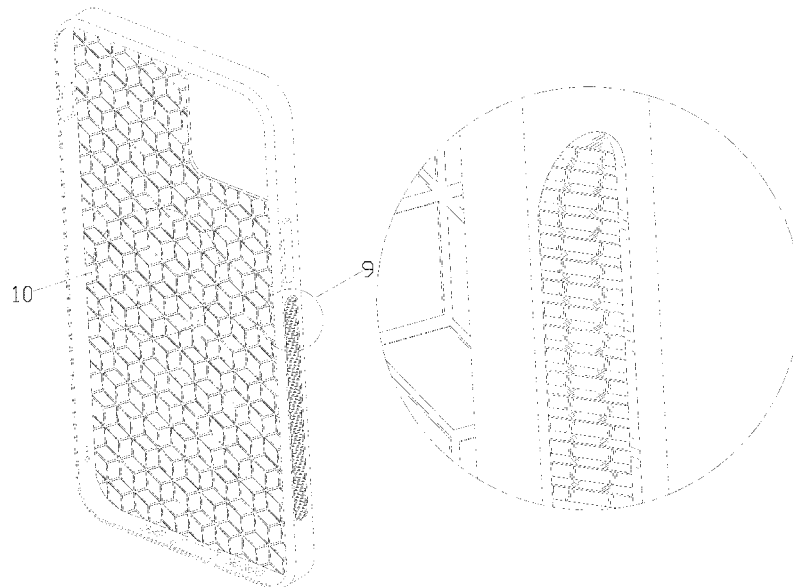
(57) **CLAIM**

The ornamental design for a phone case, as shown and described.

DESCRIPTION

FIG. 1 is a front, right side, and top perspective view of a phone case showing my new design;
FIG. 2 is a rear, left side, and bottom perspective view thereof;
FIG. 3 is a front elevational view thereof;
FIG. 4 is a rear elevational view thereof;
FIG. 5 is a left side elevational view thereof;
FIG. 6 is a right side elevational view thereof;
FIG. 7 is a top plan view thereof;
FIG. 8 is a bottom plan view thereof;
FIG. 9 is an enlarged view of portion 9 shown in FIG. 1;
FIG. 10 is an enlarged view of portion 10 shown in FIG. 1;
FIG. 11 is an enlarged view of portion 11 shown in FIG. 3; and,
FIG. 12 is an enlarged view of portion 12 shown in FIG. 5.
The dashed broken lines in the drawing figures form no part of the claimed design and depict portions of the phone case that form no part of the claimed design. The dot-dash broken lines in FIGS. 1, 3, 5, and 9-12 form no part of the claimed design and delineate portions of the phone case, including claimed subject matter, that are shown on an enlarged scale in FIGS. 9-12.

1 Claim, 12 Drawing Sheets



(56)

References Cited

U.S. PATENT DOCUMENTS

D912,035	S *	3/2021	Lee	D14/250
D915,382	S *	4/2021	Koo	D14/250
2013/0215509	A1 *	8/2013	Mimura	G02B 5/136
					359/529
2015/0195938	A1 *	7/2015	Witter	B65D 81/022
					206/521
2020/0405027	A1 *	12/2020	Chenier	A45C 11/00

* cited by examiner

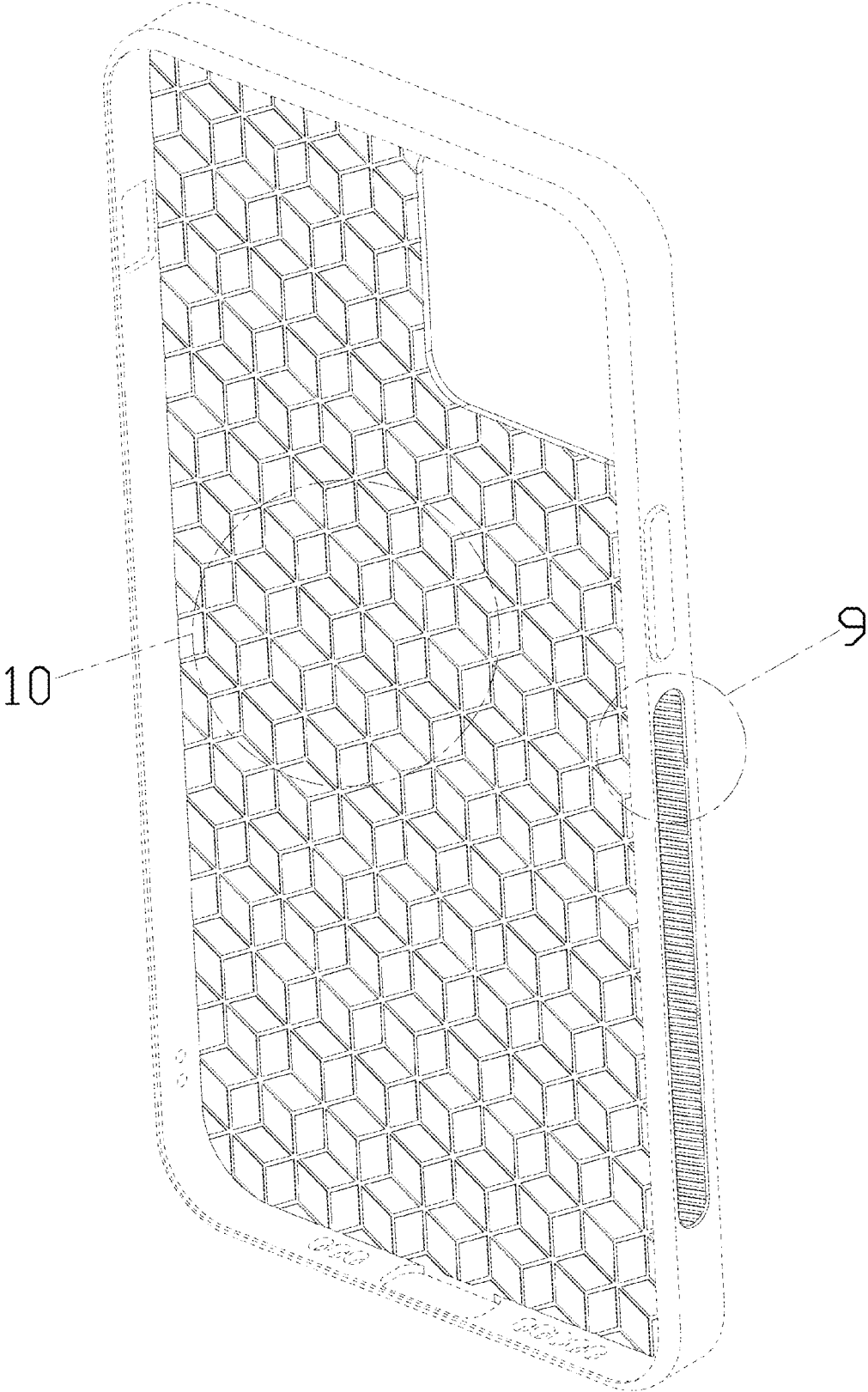


FIG. 1

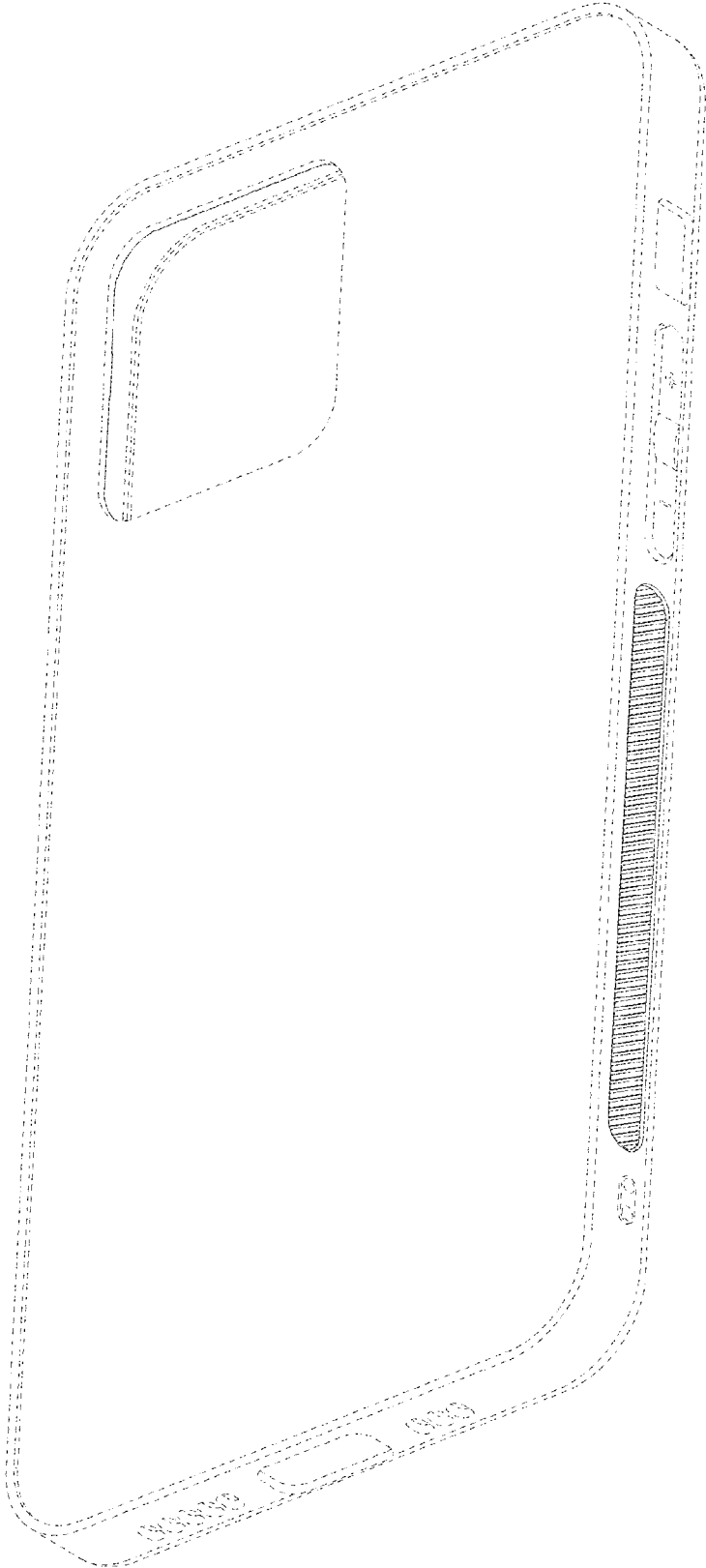


FIG. 2

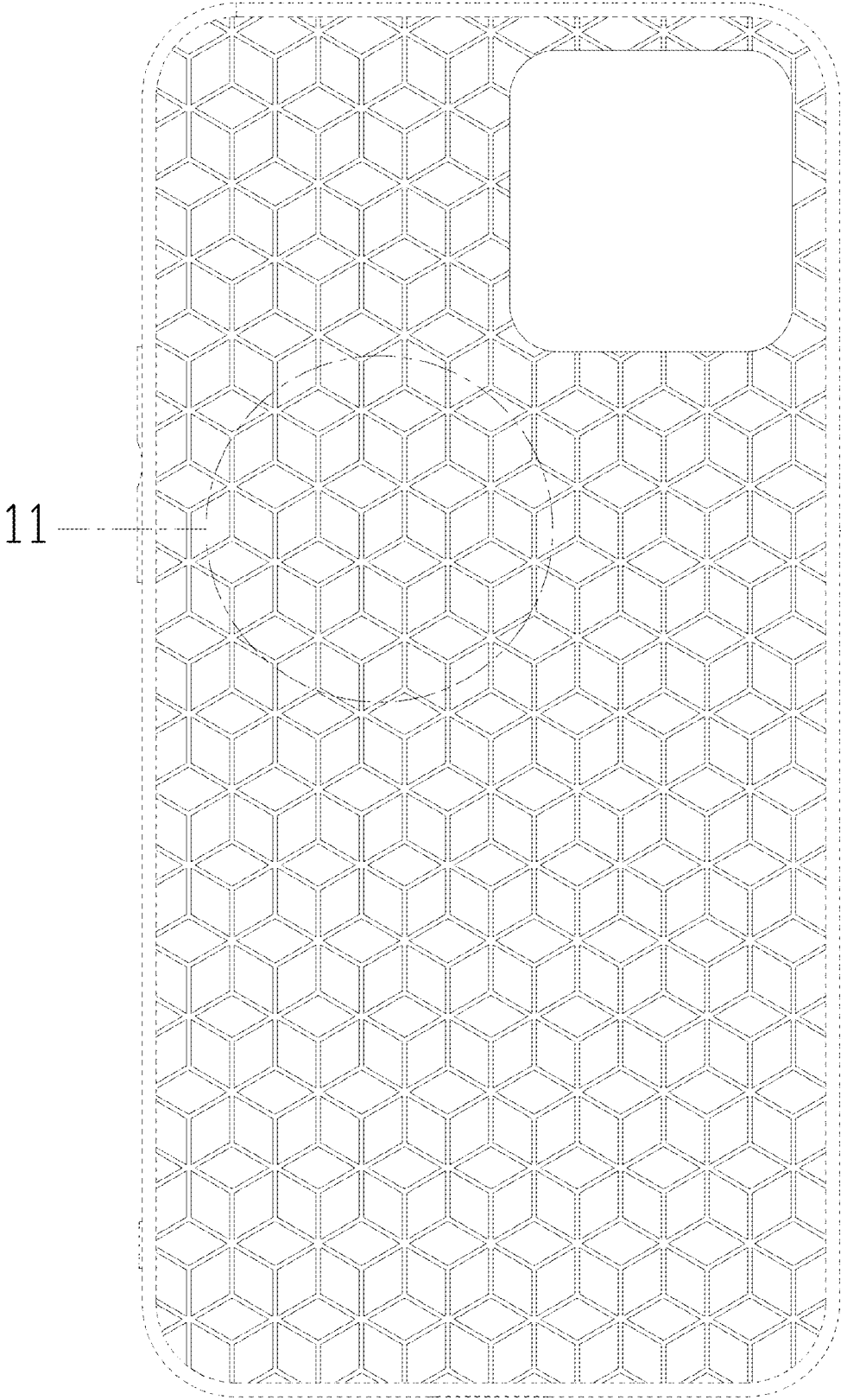


FIG. 3



FIG. 4

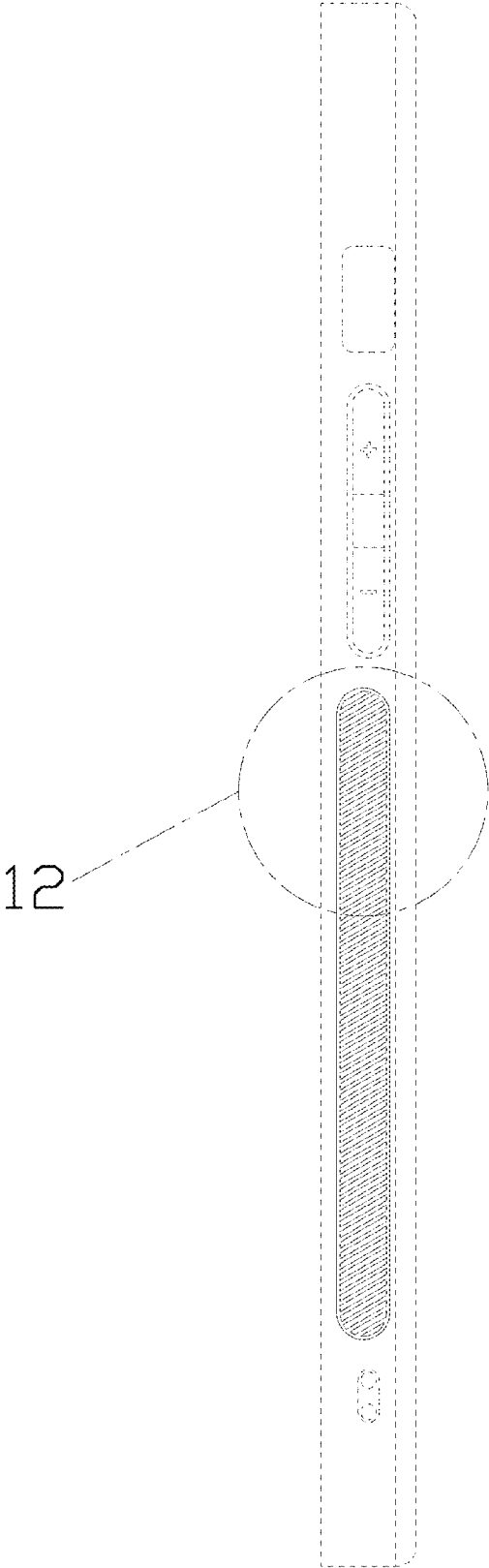


FIG. 5

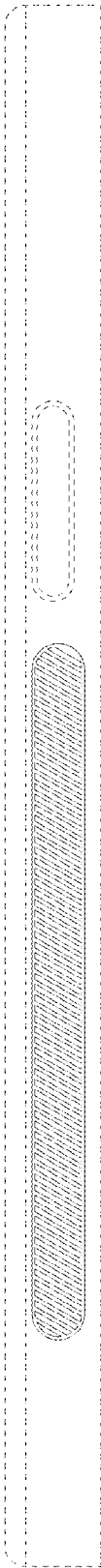


FIG. 6

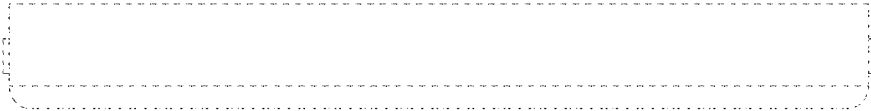


FIG. 7

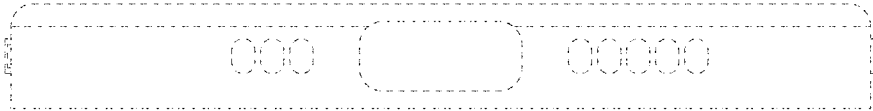


FIG. 8

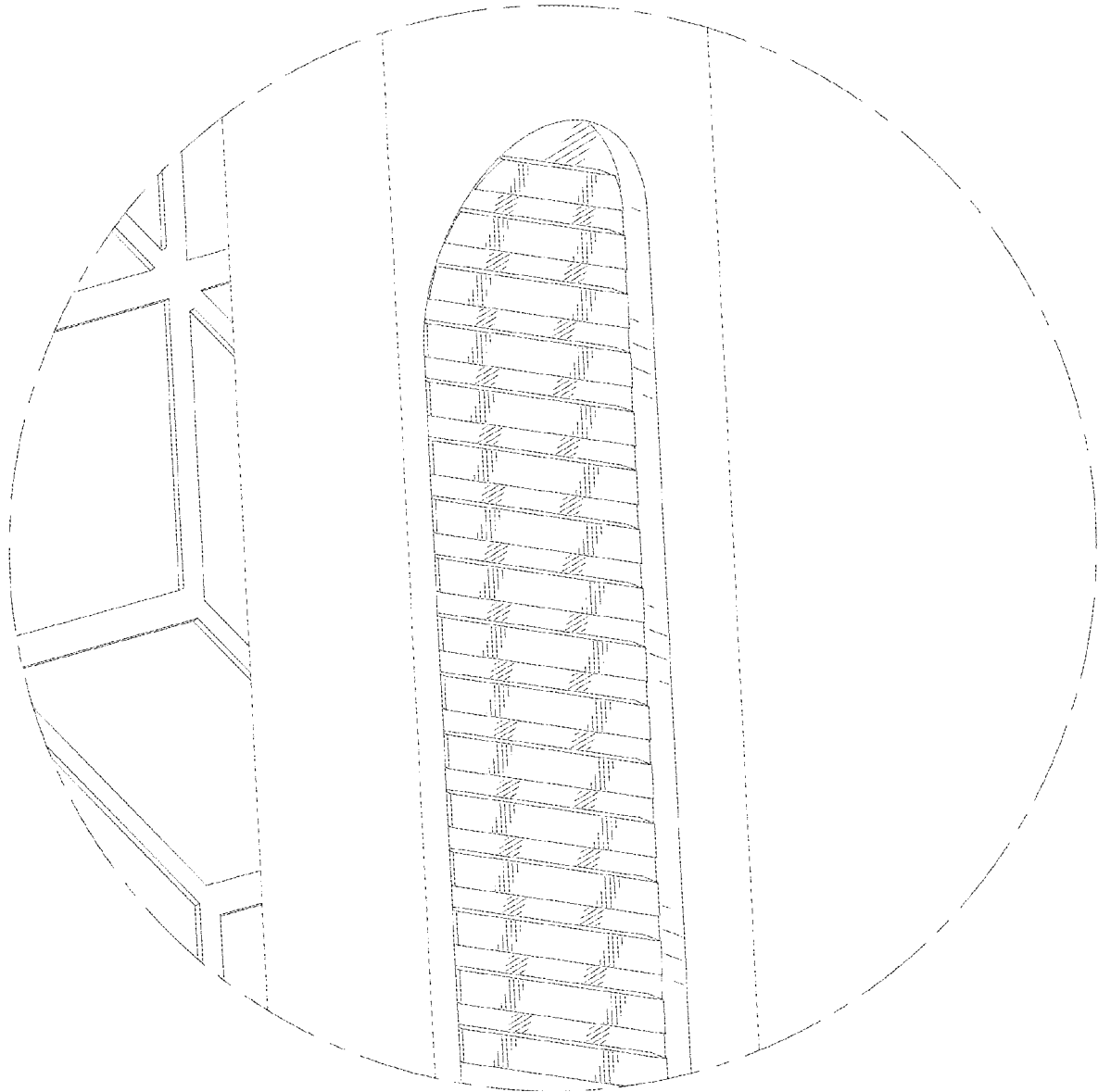


FIG. 9

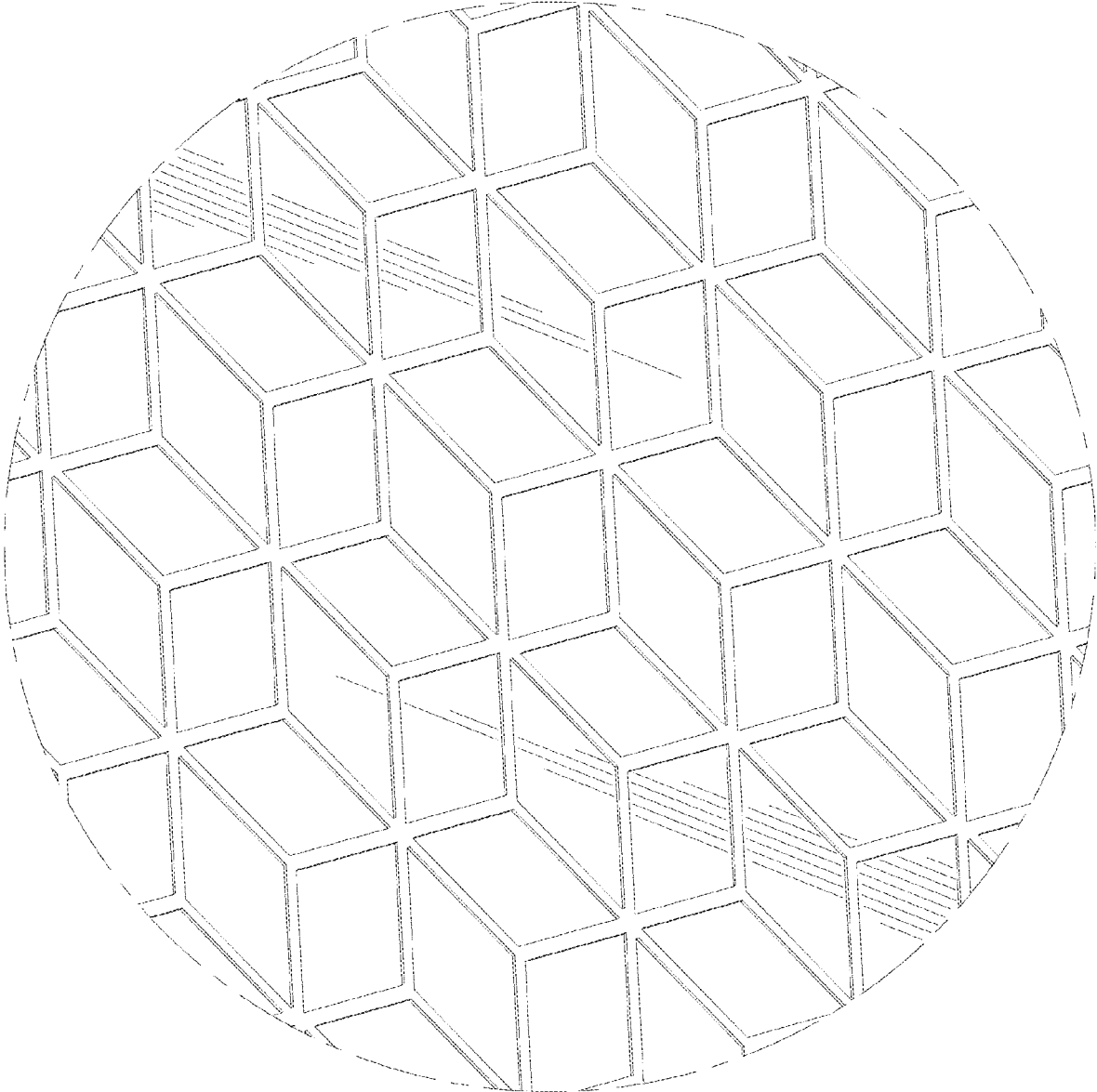


FIG. 10

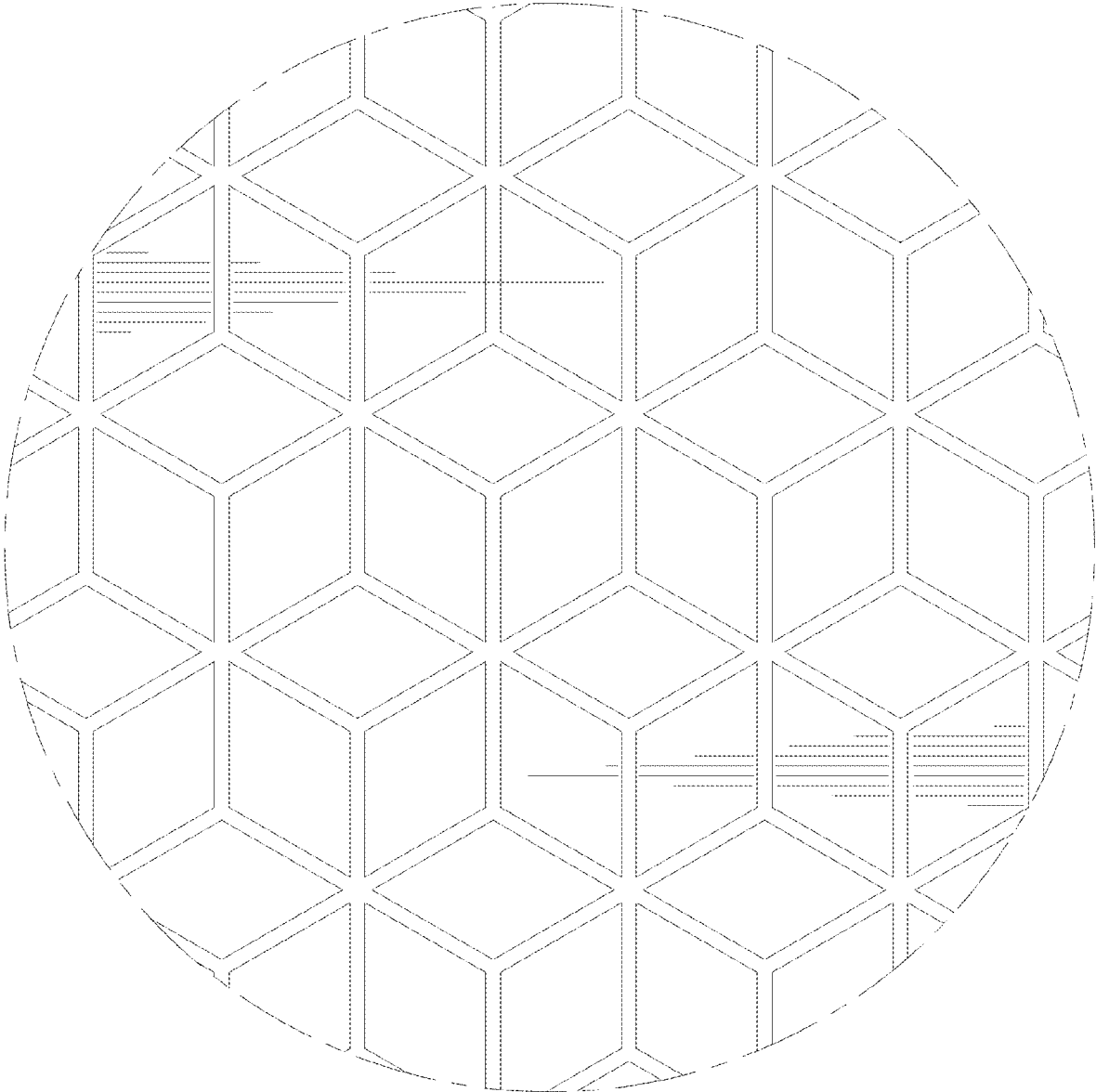


FIG. 11

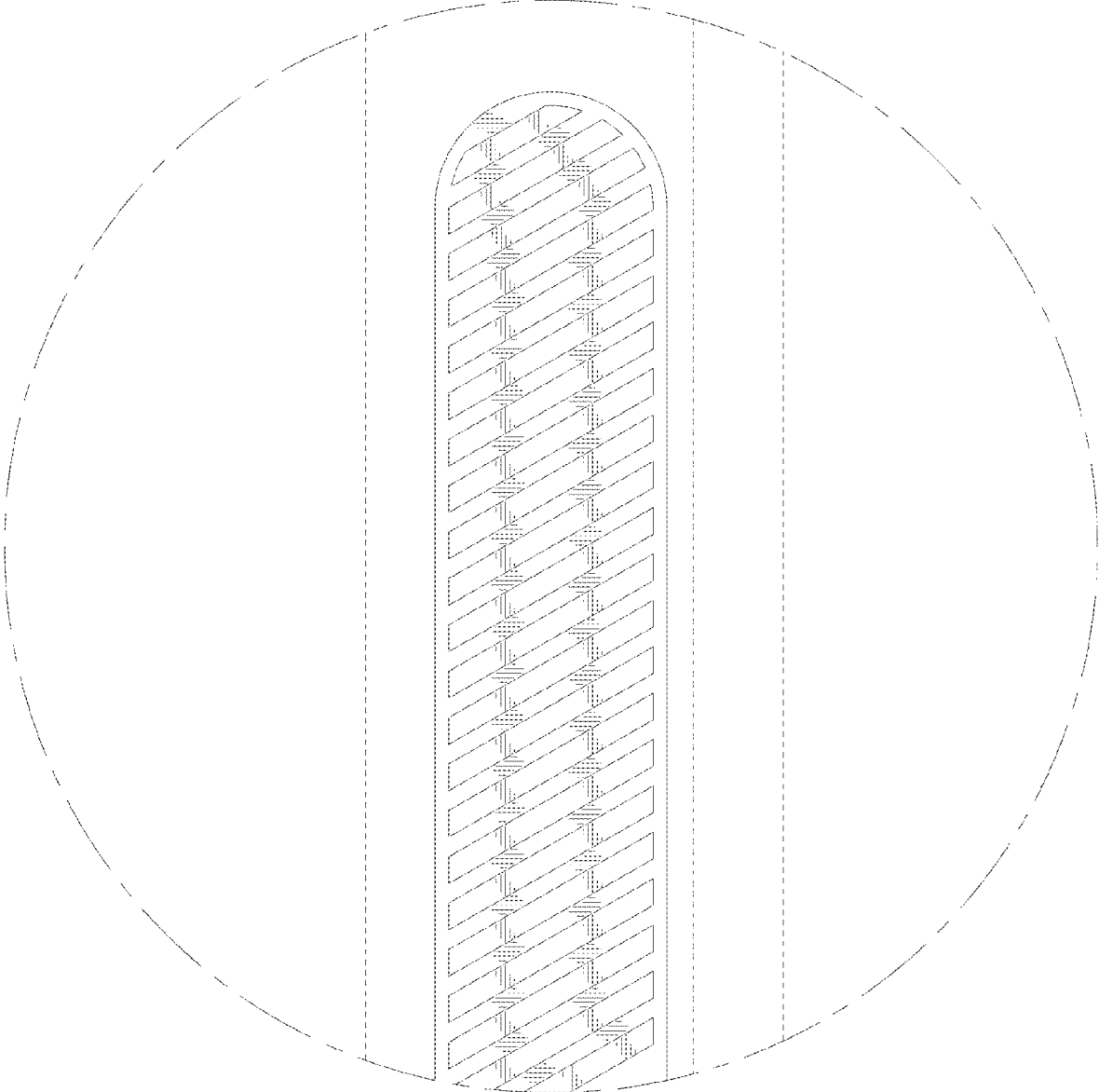


FIG. 12