



(12) **DEMANDE DE BREVET CANADIEN
CANADIAN PATENT APPLICATION**

(13) **A1**

(86) Date de dépôt PCT/PCT Filing Date: 2019/03/01
 (87) Date publication PCT/PCT Publication Date: 2019/09/06
 (85) Entrée phase nationale/National Entry: 2021/08/30
 (86) N° demande PCT/PCT Application No.: US 2019/020423
 (87) N° publication PCT/PCT Publication No.: 2019/169345
 (30) Priorités/Priorities: 2018/03/02 (US62/638,026);
 2018/03/02 (US62/638,011); 2018/11/28 (US62/772,575)

(51) Cl.Int./Int.Cl. *A61F 9/02* (2006.01),
G02C 5/12 (2006.01), *G02C 9/00* (2006.01)
 (71) Demandeur/Applicant:
 100% SPEEDLAB, LLC, US
 (72) Inventeurs/Inventors:
 YOUNG, MICHAEL D., US;
 TAN, DENNIS C., US;
 BOINNARD, LUDOVIC FRANCIS, US
 (74) Agent: C6 PATENT GROUP INCORPORATED,
 OPERATING AS THE "CARBON PATENT GROUP"

(54) Titre : SYSTEMES DE LUNETTES PROTECTRICES ET PROCEDES
 (54) Title: GOGGLE SYSTEMS AND METHODS

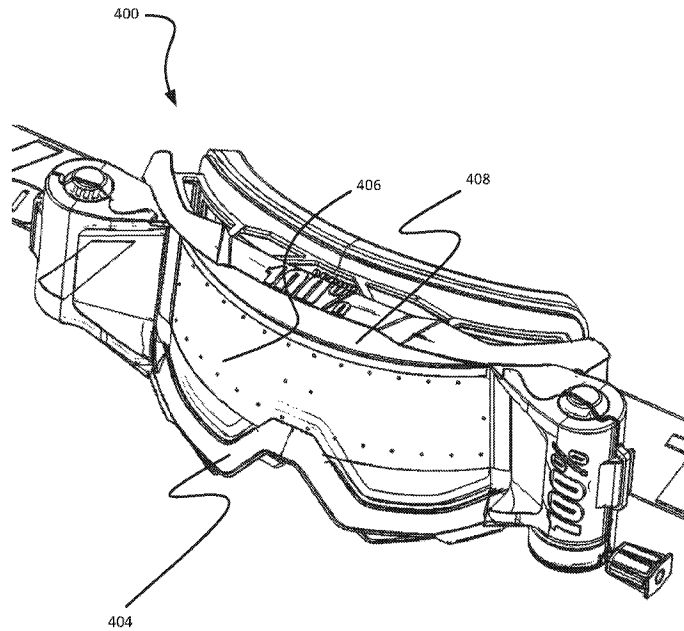


FIG. 4

(57) Abrégé/Abstract:

Goggles and eyewear with various features may be described herein. Such goggles and eyewear may include lenses that allow for the installation of larger roll-off films, adjustable nose sections to increase comfort of a wearer, sweat management systems that include a permeable gasket and a gutter, lens attachment systems, and co-molded frames of multiple different materials.

(12) INTERNATIONAL APPLICATION PUBLISHED UNDER THE PATENT COOPERATION TREATY (PCT)

(19) World Intellectual Property
 Organization
 International Bureau



(10) International Publication Number
WO 2019/169345 A3

(43) International Publication Date
 06 September 2019 (06.09.2019)

- (51) **International Patent Classification:**
A61F 9/02 (2006.01) *G02C 5/12* (2006.01)
G02C 9/00 (2006.01)
- (21) **International Application Number:**
 PCT/US2019/020423
- (22) **International Filing Date:**
 01 March 2019 (01.03.2019)
- (25) **Filing Language:** English
- (26) **Publication Language:** English
- (30) **Priority Data:**
 62/638,026 02 March 2018 (02.03.2018) US
 62/638,011 02 March 2018 (02.03.2018) US
 62/772,575 28 November 2018 (28.11.2018) US
- (71) **Applicant:** 100% **SPEEDLAB, LLC** [US/US]; 9630 Aero Drive, San Diego, California 92123 (US).
- (72) **Inventors:** **YOUNG, Michael D.**; 9630 Aero Drive, San Diego, California 92123 (US). **TAN, Dennis C.**; 9630 Aero Drive, San Diego, California 92123 (US). **BOINNARD, Ludovic Francis**; 9630 Aero Drive, San Diego, California 92123 (US).

(74) **Agent:** **ZHU, Liyan**; Haynes and Boone, LLP, 2323 Victory Avenue, Suite 700, Dallas, Texas 75219 (US).

(81) **Designated States** (*unless otherwise indicated, for every kind of national protection available*): AE, AG, AL, AM, AO, AT, AU, AZ, BA, BB, BG, BH, BN, BR, BW, BY, BZ, CA, CH, CL, CN, CO, CR, CU, CZ, DE, DJ, DK, DM, DO, DZ, EC, EE, EG, ES, FI, GB, GD, GE, GH, GM, GT, HN, HR, HU, ID, IL, IN, IR, IS, JO, JP, KE, KG, KH, KN, KP, KR, KW, KZ, LA, LC, LK, LR, LS, LU, LY, MA, MD, ME, MG, MK, MN, MW, MX, MY, MZ, NA, NG, NI, NO, NZ, OM, PA, PE, PG, PH, PL, PT, QA, RO, RS, RU, RW, SA, SC, SD, SE, SG, SK, SL, SM, ST, SV, SY, TH, TJ, TM, TN, TR, TT, TZ, UA, UG, US, UZ, VC, VN, ZA, ZM, ZW.

(84) **Designated States** (*unless otherwise indicated, for every kind of regional protection available*): ARIPO (BW, GH, GM, KE, LR, LS, MW, MZ, NA, RW, SD, SL, ST, SZ, TZ, UG, ZM, ZW), Eurasian (AM, AZ, BY, KG, KZ, RU, TJ, TM), European (AL, AT, BE, BG, CH, CY, CZ, DE, DK, EE, ES, FI, FR, GB, GR, HR, HU, IE, IS, IT, LT, LU, LV, MC, MK, MT, NL, NO, PL, PT, RO, RS, SE, SI, SK, SM, TR), OAPI (BF, BJ, CF, CG, CI, CM, GA, GN, GQ, GW, KM, ML, MR, NE, SN, TD, TG).

(54) **Title:** GOGGLE SYSTEMS AND METHODS

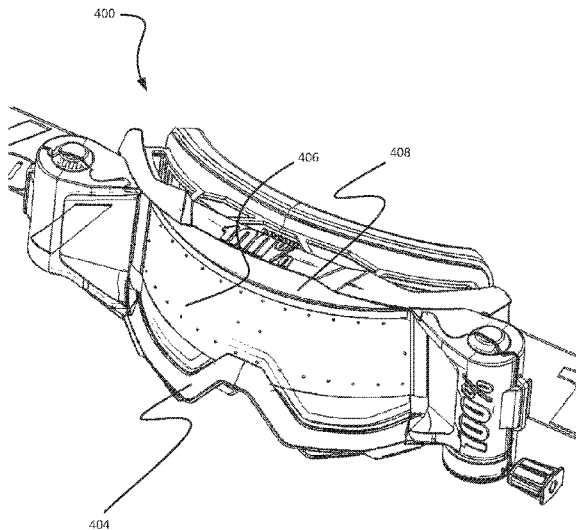


FIG. 4

(57) **Abstract:** Goggles and eyewear with various features may be described herein. Such goggles and eyewear may include lenses that allow for the installation of larger roll-off films, adjustable nose sections to increase comfort of a wearer, sweat management systems that include a permeable gasket and a gutter, lens attachment systems, and co-molded frames of multiple different materials.



WO 2019/169345 A3

WO 2019/169345 A3 

Published:

- *with international search report (Art. 21(3))*
- *before the expiration of the time limit for amending the claims and to be republished in the event of receipt of amendments (Rule 48.2(h))*

(88) Date of publication of the international search report:

17 October 2019 (17.10.2019)

GOGGLE SYSTEMS AND METHODS

Michael D. Young
Dennis C. Tan
Ludovic Francis Boinnard

CROSS-REFERENCE TO RELATED APPLICATIONS

[0001] This patent application claims the benefit of and priority to U.S. Provisional Patent Application No. 62/772,575, filed November 28, 2018 and entitled “Goggle Systems and Methods,” which claims the benefit and priority to U.S. Provisional Patent Application No. 62/638,026, filed March 2, 2018 and entitled “Goggle Systems and Methods,” and U.S. Provisional Patent Application No. 62/638,011, filed March 2, 2018 and entitled “Goggle Systems and Methods,” all of which are hereby incorporated by reference in their entirety.

TECHNICAL FIELD

[0002] One or more embodiments relate generally to eyewear including goggles and glasses systems and, more particularly, to sport goggles and sport glasses with features to improve user comfort and functionality.

BACKGROUND

[0003] Sport goggles or glasses may be worn by a wearer for various sports or activities, such as motorsports, powersports, snowsports, watersports, biking, or the like, to protect the eyes of the wearer. Sport goggles or glasses may be worn over an upper portion of the wearer’s face, such as over the cheekbones, nose, forehead, and/or other portions of the wearer’s face. The perimeter of the sport goggle may include seals and/or gaskets that conform to a user’s face. As the seals and/or gaskets of the sports goggles contact the user’s face, such seals and/or gaskets may have a great effect on user comfort.

[0004] Furthermore, the sport goggle may be installed with a roll-off film system to preserve a field of view on the lens of the sport goggle. In particular, the roll-off film system may stretch a section of a clear film across the lens of the sport goggle. When the section of the clear film is covered with dirt or debris from the activity, the roll-off film system may convey the used section of the clear film off the lens and a new section of the film may be conveyed onto the lens to provide a clear field of view for the user. As such, the larger

amount of lens area that the roll-off film covers, the greater the effectiveness of the roll-off film.

SUMMARY

[0005] Systems and methods are provided in accordance with one or more embodiments of sports goggles and glasses. The sports goggles and glasses described herein may include a variety of features that improve user comfort, manufacturability, and performance.

[0006] In an embodiment, a goggle frame including a nose section configured to be disposed proximate a user's nose, where the nose section comprises a plurality of flexible fingers, and where each flexible finger is configured to be adjusted independent of the other flexible fingers may be provided.

[0007] In certain embodiments, each of the flexible fingers includes an internal structure configured to be adjusted when subject to an external force and to hold a position in the absence of the external force. In certain such embodiments, the force includes force from the user positioning the nose section on the user's nose. In certain embodiments, each of the flexible fingers further includes a cover disposed over the internal structure.

[0008] Certain embodiments further include a goggle lens coupled to the goggle frame.

[0009] In certain embodiments, a method of using may be described, the method including disposing the flexible fingers to conform to a shape of a user's nose.

[00010] In another embodiment, a goggle lens including a front surface, a back surface, and a protrusion disposed on the front surface and configured to contact a nose section of a goggle frame to space the nose section of the goggle frame away from the front surface may be provided.

[00011] In certain embodiments, the protrusion is molded onto the front surface.

[00012] In certain embodiments, the protrusion is coupled to the front surface.

[00013] Certain embodiments may further include a film disposed on the front surface, where at least a portion of the film is configured to be disposed underneath the nose section when the goggle lens is coupled to the goggle frame. In certain such embodiments, a goggle

frame may be further provided, where the goggle lens is coupled to the goggle frame. In certain such embodiments, the goggle lens is at least partially disposed within a groove of the goggle frame, where the protrusion is configured to contact a portion of the groove to space the nose section of the goggle frame away from the front surface. In certain such embodiments, the portion of the film configured to be disposed underneath the nose section is configured to be disposed underneath a portion of the groove.

[00014] In certain embodiments, the film is configured to be dispensed across the front surface and underneath the nose section. In certain such embodiments, a method may be provided, the method including dispensing the film across the front surface and underneath the nose section.

[00015] In a further embodiment, a goggle including an eyewear frame and a latch may be provided. The eyewear frame may include an engagement pocket and a tab disposed on a portion of the engagement pocket. The latch may be configured to move between an open position and a closed position, where the open position is configured to allow fitment of a lens to the eyewear frame, and where the latch, in the closed position, is configured to cover at least a portion of the lens.

[00016] In certain embodiments, the engagement pocket may be configured to receive a protrusion of a goggle lens.

[00017] In certain embodiments, the latch may be configured to be held in a fixed relationship to the eyewear frame when in the closed position. In certain such embodiments, the latch and/or the eyewear frame may include a snap configured to hold the latch in the fixed relationship to the eyewear frame. In certain such embodiments, the latch, in the closed position, may be configured to cover a portion of a goggle lens.

[00018] In certain embodiments, the goggle may further include a goggle lens, the goggle lens including a protrusion configured to be inserted into the engagement pocket. In certain such embodiments, the protrusion may include a snap including a shallow angled first portion and a steep angled second portion, where the first portion is configured to contact the tab during insertion of the goggle lens and the second portion is configured to contact the tab when the goggle lens is inserted into the engagement pocket

[00019] In certain embodiments, the engagement pocket is a first engagement pocket and the eyewear frame further comprises a second engagement pocket disposed behind the latch.

[00020] A more complete understanding of embodiments of the invention will be afforded to those skilled in the art, as well as a realization of additional advantages thereof, by a consideration of the following detailed description of one or more embodiments. Reference will be made to the appended sheets of drawings that will first be described briefly.

BRIEF DESCRIPTION OF THE DRAWINGS

[00021] Fig. 1 shows a perspective front view of a roll-off film system installed on a goggle, in accordance with an embodiment.

[00022] Fig. 2 shows a perspective front view of the roll-off film system of Fig. 1, in accordance with an embodiment.

[00023] Fig. 3 shows a front view of a goggle lens, in accordance with an embodiment.

[00024] Fig. 4 shows a perspective front view of the goggle lens of Fig. 3 and associated roll-off film system installed on a goggle, in accordance with an embodiment.

[00025] Fig. 5 shows a side view of the goggle lens of Fig. 3 and associated roll-off film system installed on a goggle, in accordance with an embodiment.

[00026] Fig. 6 shows a perspective view of a goggle frame and liner, in accordance with an embodiment.

[00027] Fig. 7 shows a rear view of a nose section of a goggle frame, in accordance with an embodiment.

[00028] Fig. 8 shows a perspective front view of a goggle frame and lens, in accordance with an embodiment.

[00029] Fig. 9 shows perspective front views of other goggle frames and lenses, in accordance with further embodiments.

[00030] Fig. 10 shows a view of a goggle frame and lens, in accordance with an embodiment.

[00031] Fig. 11A shows a perspective side view of a sunglass, in accordance with an embodiment.

[00032] Fig. 11B shows a back view of the sunglass of Fig. 11A, in accordance with an embodiment.

[00033] Fig. 12 shows a flowchart detailing a process for manufacturing and using a goggle, in accordance with an embodiment.

[00034] Figs. 13A and 13B show views of another goggle lens, in accordance with an embodiment.

[00035] Fig. 14 shows a view of another goggle frame, in accordance with an embodiment.

[00036] Fig. 15 shows a view of a goggle with a gutter, in accordance with an embodiment.

[00037] Fig. 16 shows a view of a goggle including a goggle lens and a goggle frame assembled together, in accordance with an embodiment.

[00038] Fig. 17 shows a back view of a vented goggle frame, in accordance with an embodiment.

[00039] Embodiments of the invention and their advantages are best understood by referring to the detailed description that follows. It should be appreciated that like reference numerals are used to identify like elements illustrated in one or more of the Figures.

DETAILED DESCRIPTION

[00040] Sports goggles and other eyewear are described herein. For the purposes of this disclosure, features and techniques of goggles and/or sports goggles described herein may also be used on other eyewear, such as glasses, sunglasses, and/or other wearable items. Accordingly, “goggle” or “sports goggle” may also generically refer to such other eyewear.

[00041] In various embodiments, a goggle frame including a nose section configured to be disposed proximate a user’s nose, where the nose section comprises a plurality of flexible fingers, and where each flexible finger is configured to be adjusted independent of the other

flexible fingers may be described herein. In another embodiment, a goggle lens including a front surface, a back surface, and a protrusion disposed on the front surface and configured to contact a nose section of a goggle frame to space the nose section of the goggle frame away from the front surface may be described herein. The goggle frame and the goggle lens may be coupled together to form a goggle.

[00042] In other embodiments, an eyewear frame including a first frame surface, a second frame surface, and a connecting surface may be described herein. The second frame surface may include a perforation and the connecting surface may be connected to the first frame surface and the second frame surface to define a channel and configured to receive moisture passed through the perforation. The second frame surface may be configured to be disposed closer to a wearer's face than the first frame surface when the eyewear frame is worn by the wearer and the perforation may be configured to pass moisture from one side of the second frame surface to another side of the second frame surface. In another embodiment, eyewear that includes an eyewear frame and a lens retainer may be described herein. The lens retainer may be coupled to the eyewear and may include a first retainer end coupled to a first portion of the eyewear frame and a second retainer end coupled to a second portion of the eyewear frame. The lens retainer may be configured to move between a first position and a second position, where the second retainer end does not contact the eyewear frame in the first position, and where the second retainer end is coupled to the eyewear frame in the second position. In a further embodiment, an eyewear frame that includes a first frame portion and a second frame portion may be described herein. The first frame portion may include a first frame side, a second frame side and an opening, where the second frame side is configured to be disposed closer to a user's face than the first frame side when the eyewear frame is worn by a user, and where the first frame portion comprises a first material. The second frame portion may extend from the first frame side to the second frame side via the opening, where the second frame portion includes a second material with a modulus of elasticity lower than the first material.

[00043] Fig. 1 shows a perspective front view of a roll-off film system installed on a goggle, in accordance with an embodiment. As shown in Fig. 1, a goggle frame 106 may be installed with a roll-off film system 102. In particular, the roll-off film system 102 may be installed to the goggle frame 106 via an adaptor 104. The adaptor 104 may adapt the goggle frame 106 to use different goggle lenses and/or accessories. For example, the adaptor 104

may adapt the goggle frame 106 to use lenses of different sizes, shapes, curvatures, and the like. The adaptor 104 also may adapt the goggle frame 106 to use roll-off film systems of different film sizes.

[00044] The roll-off film system 102 may be attached to the lens 108, which is installed in the adaptor 104. The adaptor 104 may be attached to the goggle frame 106. In some embodiments, the lens 108 may be installed directly to the goggle frame 106, without the adaptor 104. Thus, the roll-off film system 102 may be installed on the goggle frame 106 without using the adaptor 104. The roll-off film system 102 may stretch a section of a film on the lens 108. When the section of the film becomes filled with dirt or debris, the used section of the film may be conveyed off the lens 108 and a new section of the film may replace the used section of the film to provide the user with clear field of view on the lens 108.

[00045] Fig. 2 shows a perspective front view of the roll-off film system of Fig. 1, in accordance with an embodiment. As shown in Fig. 2, the roll-off film system 102 may include a film dispensing canister 202 and a film receiving canister 204. The film dispensing canister 202 may dispense a section of a film 206 across the lens 108 (shown in Fig. 1) toward the film receiving canister 204. The film receiving canister 204 may receive the film 206 from the film dispensing canister 202. The film receiving canister 204 may include a pull cord handle 224, which is attached to an end of a string configured to drive a conveyance of the film 206 from the film dispensing canister 202 to the film receiving canister 204 in a film conveying direction 290. For example, when the section of the film 206 resting on the lens 108 becomes filled with dirt or debris, a user may pull the pull cord handle 224 to roll the used section of the film 206 into the film receiving canister 204 and to convey a new section of the film 206 onto the lens 108 to provide a clear field of view on the lens 108.

[00046] The film dispensing canister 202 may include a film storage portion 208 within which the film 206 may be stored. The film dispensing canister 202 also may include an upper wing portion 212, a lower wing portion 216, and a blade portion 214 disposed between the upper wing portion 212 and the lower wing portion 216. The upper wing portion 212 and the lower wing portion 216 may protrude further downstream in the film conveying direction 290 than the blade portion 214. The film 206 may exit the film dispensing canister 202 through an opening at the blade portion 214.

[00047] The film receiving canister 204 may include a film storage portion 210 within which the film 206 received from the film dispensing canister 202 may be stored. The film receiving canister 204 also may include an upper wing portion 218, a lower wing portion 222 and, a blade portion 220 disposed between the upper wing portion 218 and the lower wing portion 222. The upper wing portion 218 and the lower wing portion 222 may protrude further upstream in the film conveying direction 290 than the blade portion 220. The film 206 may be conveyed into the film receiving canister 204 through an opening at the blade portion 220. Furthermore, the film dispensing canister 202 may also include a lens attachment mechanism configured to attach the film dispensing canister 202 to the lens 108. Similarly, the film receiving canister 204 may also include a lens attachment mechanism configured to attach the film receiving canister 204 to the lens 108.

[00048] Fig. 3 shows a front view of a goggle lens, in accordance with an embodiment. Goggle lens assembly 300 of Fig. 3 includes lens 308 that includes protrusions 330. Lens 308 may be a clear, tinted, and/or opaque lens that allows a wearer to see through lens 308. Lens 308 may include a front surface and a back surface. When a goggle is worn by a wearer, the front surface of lens 308 may be an outside surface of the lens and the back surface of lens 308 may face the user's face.

[00049] Protrusions 330 may be disposed on a portion of lens 308 (e.g., a portion of lens 308 near a nose portion that includes a cutout for a wearer's nose and/or at other portions of lens 308 such as along the periphery of lens 308) and may be configured to be disposed under a portion of goggle frame 106 (e.g., under a bezel of goggle frame 106) to space and/or raise a portion of goggle frame 106 clear of lens 308 to allow for film to pass underneath that portion of goggle frame 106. Thus, protrusions 330 may space and/or raise goggle frame 106 to allow for a larger version of film 206 to be installed on and dispensed across lens 108. In certain embodiments, protrusions 330 may be disposed on the front surface of lens 308 as film 206 is also disposed on the front surface of lens 308.

[00050] Fig. 3 also illustrates top portion 364, right portion 366A, left portion 366B, and bottom portion 368. Such portions may correspond to the general orientation of the goggle and/or goggle lens when the goggle is worn. As such, top portion 364 may be a top facing portion that may be located near a wearer's brow when worn. Right and left portions 366A and 366B may be located to the right and left, respectively, of a wearer's eyes when the goggle is worn. Bottom portion 368 may be a bottom facing portion that may be located near

a wearer's nose, lip, or cheeks when worn. Though top portion 364, right portion 366A, left portion 366B, and bottom portion 368 are shown in Fig. 3, such orientations may also be used to describe portions of goggles (e.g., goggle frame) and other eyewear described herein.

[00051] Fig. 4 shows a perspective front view of the goggle lens of Fig. 3 and associated roll-off film system installed on a goggle, in accordance with an embodiment. Fig. 4 shows goggle 400 with goggle frame 404, lens 408, and film 406.

[00052] Goggle frame 404 may include multiple components. For example, the back surface of lens 408 may be disposed on a back goggle frame while the front surface of lens 408 may be disposed against a front goggle frame or bezel. The back goggle frame and front goggle frame or bezel may couple together to hold lens 408 within goggle frame 404. Other embodiments of goggle frame 404 may include a one piece goggle frame that includes a groove within goggle frame 404 for lens 408 to be inserted within. The groove may hold lens 408.

[00053] Lens 408 may include protrusions configured to be disposed underneath the back goggle frame, front goggle frame, and/or bezel when lens 408 is coupled to goggle frame 404 and/or space the groove that lens 408 is inserted into. Such protrusions may space and/or raise at least a portion of the corresponding back goggle frame, front goggle frame, and/or bezel (e.g., the portion near the nose section of the goggle frame 404, the nose section being the portion of the goggle frame 404 configured to accommodate a wearer's nose) and/or space the groove so that there is a gap between lens 408 and corresponding portion of goggle frame 404. The gap may allow for film 406 to pass underneath the portion of the corresponding back goggle frame, front goggle frame, bezel, and/or groove. Thus, the protrusions may allow for a larger film 406 to be used and dispensed across lens 408, leading to improved wearer visibility.

[00054] Fig. 5 shows a side view of the goggle lens of Fig. 3 and associated roll-off film system installed on a goggle, in accordance with an embodiment. Fig. 5 may further illustrate protrusion 530 that space and/or raise a portion of goggle frame 504 from lens 508 to create a gap. As shown in Fig. 5, protrusion 530 may space and/or raise goggle frame 504 near a nose portion of the goggle. Film 506 may pass under the spaced and/or raised portion of goggle frame 504.

[00055] Fig. 6 shows a perspective view of a goggle frame and liner, in accordance with an embodiment. Goggle 600 includes goggle frame 604 and gasket 660. Gasket 660 may be configured to conform to a wearer's face to increase wearer comfort. Thus, gasket 660 may be made from a deformable material. Additionally, at least a portion of gasket 660 may be a permeable material that allows for liquid to pass through that portion of gasket 660.

[00056] Goggle frame 604 may include a first frame surface 642, a second frame surface 640, and a connecting surface 646. First frame surface 642, second frame surface 640, and connecting surface 646 may define various surfaces of gutter 648. In certain other embodiments, gutter 648 may be further defined by other surfaces to provide an enclosed gutter, but as shown in Fig. 6, gutter 648 may be an open gutter. Gutter 648 may be configured to receive moisture (e.g., sweat of a wearer) through perforations 644 and direct the moisture away from the wearer's eyes. Gutter 648 may include a moisture exit configured to receive moisture that flows through gutter 648 (e.g., on connecting surface 646) and allow for moisture to exit gutter 648 and flow away from goggle frame 604.

[00057] Perforations 644 may be perforations within second frame surface 640. Second frame surface 640 may be a surface or portion of goggle frame 604 disposed closer to a wearer's face (e.g., closer than first frame surface 642). Second frame surface 640 may be coupled to gasket 660 on one side. At least some of the permeable portion of gasket 660 may be coupled to perforations 644 and thus moisture may be allowed to pass through the permeable portion of gasket 660 through perforations 644 into gutter 648. For example, sweat of a wearer may, instead of rolling down the wearer's brow into the user's eye, pass through the permeable portion of gasket 660 through perforations 644 of second frame surface 640 into gutter 648. Thus, the sweat may be directed away from the wearer and may increase wearer comfort.

[00058] Furthermore, gasket 660 may also include an impermeable portion 662. The impermeable portion 662 may be an interior portion of gasket 660 and may be configured to prevent moisture passing through the permeable portion of gasket 660 from entering into an interior portion of goggle 600 (e.g., the portion of goggle 600 where the user's eyes are located within). The interior portion of goggle 600 may be defined by one or more of first frame surface 642, second frame surface 640, and connecting surface 646. Thus, for example, the interior portion may include one or more of a top portion, a right portion, a left portion, and a bottom portion and connecting surface 646 may define a perimeter of the

interior portion that includes one or more of the top portion, right portion, left portion, and bottom portion. Furthermore, the impermeable portion 662 of gasket 660 may also be disposed around at least part of the interior portion. Thus, impermeable portion 662 may further prevent moisture from reaching the interior portion and thus the eyes of the wearer.

[00059] Goggle frame 604 may additionally include a lens portion 670 configured to receive a lens and lens vent 672. Lens vent 672 may, in certain embodiments, be disposed farther from the user's face than first frame surface 642, connecting surface 646, and/or second frame surface 640 when goggle 600 is worn. Lens vent 672 may provide for ventilation into the interior portion.

[00060] Fig. 7 shows a rear view of a nose section of a goggle frame, in accordance with an embodiment. Fig. 7 illustrates a goggle nose section 700 that includes deformable frame section 774 and flexible structure 772. Goggle nose section 700 may be a portion of the goggle that is configured to be disposed proximate a wearer's nose when worn.

[00061] In certain embodiments, goggle nose section 700 may be a part of a goggle or goggle frame. Typically, goggle nose section 700 may be covered by additional material (e.g., may be covered by a flexible covering such as liner material, rubber, plastic, or other such material that may be configured to contact a wearer) or may be exposed (e.g., the structure shown in Fig. 7 may not be covered by additional material).

[00062] Deformable frame section 774 may be a compliant section of the goggle frame. Deformable frame section 774 may, when the goggle is worn by the wearer, deform to cover a portion of a wearer's face. Deformable frame section 774 may be formed (e.g., manufactured) with a resting shape and may return to such a resting shape when the goggle is not worn by a wearer.

[00063] Flexible structure 772 may be coupled to deformable frame section 774. Flexible structure 772 may be an additional frame section formed separate from deformable frame section 774 and later coupled to deformable frame section 774 (e.g., via mechanical fasteners, adhesives, and/or via features of deformable frame section 774 and flexible structure 772) or may be produced with deformable frame section 774 (e.g., co-molded).

[00064] Flexible structure 772 may include flexible fingers 770A-C. In certain embodiments, flexible structure 772 may include any number of fingers. Each of flexible

fingers 770A-C may be configured to be adjusted independent of the other flexible fingers. Each of flexible fingers 770A-C may be configured to allow a wearer to move the finger (e.g., through manual adjustment or through wearing the goggle and pushing the fingers into position through facial features of the wearer) into a position and to hold the position in the absence of force sufficient to move the fingers to another position. Each finger may thus be configured to hold a position until a threshold force has been exceeded. Once the threshold force has been exceeded, the fingers may be moved to another position.

[00065] Fig. 8 shows a perspective front view of a goggle frame and lens, in accordance with an embodiment. Goggle 800 in Fig. 8 includes goggle lens 808, goggle frame first portion 874, and goggle frame second portion 878. Goggle lens 808 may be coupled to goggle frame first portion 874 and/or goggle frame second portion 878.

[00066] Goggle frame first portion 874 and goggle frame second portion 878 may be made from different materials. For example, goggle frame first portion 874 may be made from a first material and goggle frame second portion 878 may be made from a second material with a different modulus of elasticity. The first material may be stiffer (e.g., may have a higher modulus of elasticity) than the second material so that goggle frame first portion 874 can provide structural support to goggle 800. The second material may be a more flexible material that may conform to a wearer's face when goggle 800 is worn.

[00067] The more flexible goggle frame second portion 878 may also couple to goggle lens 808 to seal goggle lens 808 against the goggle frame when goggle lens 808 is coupled to the goggle frame. As such, goggle frame first portion 874 may include one or more slots 876 that allow goggle frame second portion 878 to extend from a first side to a second side (e.g., from a back side to a front side) of goggle frame first portion 874.

[00068] The goggle lens 808 may then contact at least a portion of goggle frame second portion 878 that is disposed on the second side when goggle lens 808 is coupled to the goggle frame. Goggle frame first portion 874 and/or goggle frame second portion 878 may include features configured to hold goggle lens 808, such as grooves, snaps, bolt and/or rivet holes, and/or other features that allow for goggle lens 808 to be snapped or disposed into a certain area of goggle lens 808.

[00069] In certain embodiments, goggle frame first portion 874 and goggle frame second portion 878 may be produced jointly. That is, goggle frame first portion 874 and goggle frame second portion 878 may be co-molded. Thus, molding the of the goggle frame first portion 874 may be performed during a first timeframe and molding of the goggle frame second portion 878 may be performed during a second timeframe. The first timeframe and the second timeframe may at least partially overlap. Co-molding goggle frame first portion 874 and goggle frame second portion 878 may allow for simplified manufacturing while retaining frame portions made from different materials.

[00070] Fig. 9 shows perspective front views of other goggle frames and lenses, in accordance with further embodiments. Fig. 9 shows two configurations of goggles, goggles 900A and 900B respectively. Goggle 900A may include a plurality of slots 976A and 976B on goggle frame first portion 974A that each allow for goggle frame second portion (illustrated as goggle frame second portions 978A and 978B, but molded as the same structure) to pass from the first side to the second side. Goggle 900A may also include additional slots and such slots may be disposed around a perimeter of lens opening 980 of the goggle frame to form a gasket and seal lens opening 980 when goggle lens 808 is coupled to the goggle frame.

[00071] Goggle frame first portion 974B of goggle 900B includes a continuous slot 976C that may extend along the entire periphery of lens opening 980. Goggle frame second portion 978C may pass through slot 976C to form a gasket and seal lens opening 980.

[00072] Fig. 10 shows a view of a goggle frame and lens, in accordance with an embodiment. Fig. 10 illustrates goggle 1000 that includes goggle frame 1004 and goggle lens 1008. Goggle frame 1004 includes engagement pockets 1082A-D and goggle lens 1008 includes protrusions 1080A-D. Protrusions 1080A-D may be located on goggle lens 1008 to correspond to the location of engagement pockets 1082A-D on goggle frame 1004. Thus, protrusions 1080A-D may be inserted into engagement pockets 1082A-D to hold goggle lens 1008 relative to goggle frame 1004.

[00073] Protrusions and engagement pockets may be disposed on one or more of the top portion, right portion, left portion, and bottom portion of the goggle lens 1008 and goggle frame 1004, respectively. In certain embodiments, protrusions and engagement pockets may be disposed on at least two of the portions to securely hold goggle lens 1008 relative to

goggle frame 1004. Thus, the features of Fig. 10 may allow for goggle lens 1008 to snap into goggle frame 1004 and be held relative to goggle frame 1004.

[00074] In various embodiments, protrusions may be disposed on the front surface and/or the back surface of goggle lens 1008. Protrusion 1080B may be disposed on the front surface of goggle lens 1008 and protrusions 1080A, 1080C, and 1080D may be disposed on the back surface of goggle lens 1008. Engagement pockets 1082A-D may be correspondingly formed on goggle frame 1004. Thus, for example, goggle frame 1004 may include a location configured to receive goggle lens 1008 (e.g., a flat area, a groove, or another feature within goggle frame 1004) and engagement pockets 1082A-D may be disposed around the location. Thus, engagement pocket 1082B, corresponding to protrusion 1080B, may be disposed forward of the location while engagement pockets 1082A, 1082C, and 1082D, corresponding to protrusions 1080A, 1080C, and 1080D, may be disposed rearward of the location.

[00075] Fig. 11A shows a perspective side view of a sunglass, in accordance with an embodiment. Fig. 11A illustrates glasses 1100. Glasses 1100 may be a sunglass that incorporates one or more features described herein. For example, glasses 1100 may include the co-molded frame portions, permeable gaskets, perforations and gutters for moisture management, adjustable nose sections, and larger films described herein.

[00076] Fig. 11B shows a back view of the sunglass of Fig. 11A, in accordance with an embodiment. Glasses 1100 includes frame 1104, lens 1108, and lens retainer 1190. Lens 1108 may be disposed within frame 1104 and lens retainer 1190 may be coupled to frame 1104 to hold lens 1108 to frame 1104.

[00077] Lens retainer 1190 may include a first retainer end 1192 and a second retainer end 1194. First retainer end 1192 may be coupled to frame 1104 (e.g., coupled in a hinged manner so that lens retainer 1190 may move relative to frame 1104). In certain embodiments, first retainer end 1192 may be coupled to frame 1104 through one or more hinges, bearings, mechanical fasteners (e.g., snaps, detents, posts), or other features. In other embodiments, first retainer end 1192 and lens retainer 1190 may be a part of frame 1104. That is, the lens retainer 1190 may be formed (e.g., molded) along with frame 1104 (or other component of glasses 1100, such as a feature of lens 1108) and may extend off a portion of frame 1104. In such an embodiment, lens retainer 1190 may be configured to be flexible to

move between various positions and first retainer end 1192 may be where lens retainer 1190 meets frame 1104.

[00078] Lens retainer 1190 may be configured to move to a first position that creates an opening between lens retainer 1190 (e.g., the portion of lens retainer 1190 extending from first retainer end 1192) and frame 1004 for lens 1108 to be disposed within and/or coupled to frame 1104 (e.g., inserted into features of frame 1108). Thus, second retainer end 1194 does not contact frame 1104 when lens retainer 1190 is in the first position.

[00079] Lens retainer 1190 may also be configured to move to a second position to hold lens 1108 to frame 1104 (e.g., lock lens 1108 in place). In the second position, second retainer end 1194 may be coupled to, contact, or engage a feature 1196 of frame 1104. As such, second retainer end 1194 of lens retainer 1190 may include one or more features to hold second retainer end 1194 to or within feature 1196 of frame 1104. For example, second retainer end 1194 may include a snap, tab, embedded fastener, opening to receive a fastener, or other feature that can couple to or engage a portion of frame 1104 (e.g., feature 1196) to hold second retainer end 1194 to frame 1104 and be uncoupled and/or disengaged to allow for lens retainer 1190 to move to the first position. Frame 1104 may include corresponding features (e.g., an opening to receive a snap or tab or features to receive a fastener) at the portion of frame 1104 configured to couple to or engage second retainer end 1194.

[00080] As shown in Fig. 11B, first retainer end 1192 may be disposed on a bottom portion of frame 1104 and second retainer end 1194 may be disposed on a top portion of frame 1104. Other embodiments of lens retainer 1190 may dispose first retainer end 1192 and/or second retainer end 1194 at other locations on frame 1104. Furthermore, other embodiments may reverse the location of first retainer end 1192 and second retainer end 1194 from what is shown in Fig. 11B. Though lens retainer 1190 shown in Fig. 11B is described in context of glasses 1100, other embodiments may include a lens retainer on a goggle or other eyewear, as described herein.

[00081] Fig. 12 shows a flowchart detailing a process for manufacturing and using a goggle, in accordance with an embodiment. In block 1202, various components of the goggle (e.g., lenses, frames, film, gaskets, and/or other components) are formed. Forming of the components may include, for example, forming a goggle frame that includes a plurality of frame portions that are co-molded together.

[00082] The lens is then coupled to the goggle frame in block 1204. One or more protrusions on the lens may be inserted into corresponding engagement pockets of the goggle frame. The lens may then be snapped into place and the engagement pockets may receive the protrusions to hold the goggle lens relative to the goggle frame. Furthermore, a gasket configured to conform to a wearer's face may be coupled to the goggle frame. The gasket may be a permeable gasket and may be placed over one or more perforations of the goggle frame to allow moisture to pass through the perforations and into a gutter of the goggle frame.

[00083] A portion of the goggle frame may be spaced and/or raised by one or more bump protrusions on the lens in 1206. A film dispenser may be coupled to the goggle in block 1208. Raising the goggle frame may create a gap and allow for film to pass under the portion of the goggle frame.

[00084] A wearer may adjust the noseguard in block 1210. The noseguard may include a nose section that includes an adjustable frame. The nose section may be adjusted to a position accepted to the wearer and the adjustable frame may then hold the position. The adjusted nose section may be a position that is comfortable to the user and the adjustable frame may hold the position to prevent any unwanted pressure on the portion of the wearer's face around the nose causing discomfort to the wearer.

[00085] Figs. 13A and 13B show views of another goggle lens, in accordance with an embodiment. Figs. 13A and 13B illustrates goggle lens 1308 and protrusions 1380A-F. Protrusions 1380A-F may be oriented to allow for coupling to features of a goggle frame (e.g., goggle frame 1404 of Fig. 14). Such protrusions 1380A-F may be oriented so that, when goggle lens 1308 is properly installed within the goggle frame, goggle lens 1308 is securely held within the goggle frame.

[00086] For example, certain corresponding goggle frames can include engagement pockets and/or other features configured to receive protrusions 1380A-F. For example, Fig. 14 shows a view of another goggle frame, in accordance with an embodiment. Goggle frame 1404 illustrated in Fig. 14 includes features for receiving protrusions 1380A-F, such as engagement pockets shown in Fig 14. Protrusions 1380A-C may be inward facing (e.g., facing towards the face of the wearer) and protrusions 1380D-F may be outward facing (e.g.,

facing away from the face of the wearer). In certain embodiments, protrusions may engage with corresponding features to securely hold goggle lens 1308 relative to goggle frame 1404.

[00087] When coupling goggle lens 1308 to goggle frame 1404, protrusions 1380A and 1380B may be inserted into engagement pockets 1482A and 1482B, respectively. Protrusions 1380A and 1380B as well as engagement pockets 1482A and 1482B may include features such as tabs and snaps that allow for engagement pockets 1482A and 1482B to securely hold goggle lens 1308 in place when goggle lens 1308 is fully coupled to goggle frame 1404. Thus, protrusions 1380A and 1380B may include snaps that, when protrusions 1380A and 1380B are fully inserted into engagement pockets 1482A and 1482, hold protrusions 1380A and 1380B within engagement pockets 1482A and 1482B.

[00088] Protrusion 1380C may be inserted into engagement pocket 1482C and protrusion 1380D may be placed on or within nose area 1482D. The goggle may further include latches 1482E and 1482F. Latches 1482E and 1482F may be configured to move between open and closed positions. In the open positions, protrusions 1380E and 1380F of goggle lens 1308 may be inserted into engagement pockets behind latches 1482E and 1482F and, after they are inserted, latches 1482E and 1482F can be moved to the closed positions to hold goggle lens 1308 in a set position relative to goggle frame 1404. Latches 1482E and 1482F, as well as goggle frame 1404, may include one or more features for locking latches 1482E and 1482F in place when latches 1482E and 1482F are in the closed position. For example, latches 1482E and 1482F may include one or more snap features and goggle lens 1404 may include complementary features, or vice versa, that, when engaged holds latches 1482E and 1482F in the closed position relative to goggle frame 1404 (e.g., in a fixed special relationship). Thus, latches 1482E and 1482F can be configured to securely hold goggle lens 1308 to goggle frame 1404 and can prevent goggles lens 1308 from being decoupled from goggle frame 1404. Goggle frame 1404 and/or goggle lens 1308 may additionally include one or more gaskets to seal areas where goggle lens 1308 contacts goggle frame 1404.

[00089] Fig. 15 shows a view of a goggle with a gutter, in accordance with an embodiment. Goggle 1500 includes goggle frame 1504 that includes perforations 1544A, opening 1544B, gutter 1548, and opening 1550. Gutter 1548 may be an open gutter (e.g., open to the environment through, at least, opening 1550). Gutter 1548 may be configured to receive moisture (e.g., sweat of a wearer) through perforations 1544A and opening 1544B

and direct the moisture away from the wearer's eyes. Such moisture can flow through gutter 1548 and/or evaporate into the environment.

[00090] Fig. 16 shows a view of a goggle including a goggle lens and a goggle frame assembled together, in accordance with an embodiment. Fig. 16 illustrates goggle 1600 that includes goggle frame 1604 and goggle lens 1608 coupled to goggle frame 1604. As shown, protrusions 1680A and 1680B may be inserted into engagement pockets 1682A and 1682B, respectively. Protrusions 1680A and 1680B may include snaps 1680A-1 and 1680B-1, respectively. Engagement pockets 1682A and 1682B include tabs 1682A-1 and 1682B-1, respectively. Engagement pockets 1682A and 1682B may be openings within the goggle frame 1604 and tabs 1682A-1 and 1682B-1 may be disposed on an end of the openings.

[00091] Snaps 1680A-1 and 1680B-1 may include a shallow angled surface configured to allow smoother insertion into engagement pockets 1682A and 1682B (e.g., by allowing for deformation of tabs 1682A-1 and 1682B-1 without requiring a large amount of force) and a steep angled surface configured to prevent decoupling of snaps 1680A-1 and 1680B-1 from engagement pockets 1682A and 1682B if a threshold amount of force is not applied to the goggle lens. The shallow angled surface may be configured to contact a portion of tabs 1682A-1 and 1682B-1 during insertion. The steep angled surface may be configured to contact a portion of tabs 1682A-1 and 1682B-1 when the goggle lens and the goggle frame are assembled. As shown in Fig. 16, when protrusions 1680A and 1680B are inserted into engagement pockets 1682A and 1682B, tabs 1682A-1 and 1682B-1 can hold snaps 1680A-1 and 1680B-1, respectively, in place.

[00092] Fig. 17 shows a back view of a vented goggle frame, in accordance with an embodiment. Fig. 17 illustrates goggle 1700 with goggle frame 1704. Goggle frame 1704 includes air flow apertures 1748A and 1748B. Air flow apertures 1748A and 1748B may be located on the back side of goggle frame 1704, closer to the wearer's face. Intakes (e.g., intakes 1486A and 1486B, shown in Fig. 14) on the front of goggle frame 1704 can receive air flow and direct such air flow to air flow apertures 1748A and 1748B through one or more air flow channels (e.g., air flow channels 1586A and 1586B shown in Fig. 15) of goggle frame 1704. Such channels may include channels that constitute gutter 1548 or portions thereof. In certain embodiments, such channels may, in contrast to gutter 1548, be contained within goggle frame 1704 to direct all air received by intakes 1486A and 1486B through air flow apertures 1748A and 1748B. Air flow apertures 1748A and 1748B may provide air

flow to cool gaskets or foam padding, or portions thereof, attached to goggle frame 1704. Such air flow may flow through the gaskets or foam padding, which may be porous.

[00093] While the invention has been described in detail in connection with only a limited number of embodiments, it should be readily understood that the invention is not limited to such disclosed embodiments. Rather, the invention can be modified to incorporate any number of variations, alterations, substitutions or equivalent arrangements not heretofore described, but which are commensurate with the spirit and scope of the invention. Additionally, while various embodiments of the invention have been described, it is to be understood that aspects of the invention may include only some of the described embodiments. Accordingly, the invention is not to be seen as limited by the foregoing description, but is only limited by the scope of the appended claims.

CLAIMS

What is claimed is:

1. An apparatus comprising:
an eyewear frame comprising an engagement pocket and a tab disposed on a portion of the engagement pocket; and
a latch configured to move between an open position and a closed position, wherein the open position is configured to allow fitment of a lens to the eyewear frame, and wherein the latch, in the closed position, is configured to cover at least a portion of the lens.
2. The apparatus of claim 1, wherein the engagement pocket is configured to receive a protrusion of a goggle lens.
3. The apparatus of claim 1, wherein the latch is configured to be held in a fixed relationship to the eyewear frame when in the closed position, and wherein the latch and/or the eyewear frame comprises a snap configured to hold the latch in the fixed relationship to the eyewear frame.
4. The apparatus of claim 3, wherein the latch, in the closed position, is configured to cover a portion of a goggle lens.
5. The apparatus of claim 1, further comprising a goggle lens, the goggle lens comprising:
a first protrusion configured to be inserted into the engagement pocket.
6. The apparatus of claim 5, wherein the goggle lens further comprises a front surface, a back surface, and a second protrusion disposed on the front surface and configured to contact a nose section of an eyewear frame to space the nose section of the eyewear frame away from the front surface.
7. The apparatus of claim 5, wherein the first protrusion comprises a snap comprising a shallow angled first portion and a steep angled second portion, wherein the first portion is

configured to contact the tab during insertion of the goggle lens and the second portion is configured to contact the tab when the goggle lens is inserted into the engagement pocket.

8. The apparatus of claim 1, wherein the engagement pocket is a first engagement pocket and the eyewear frame further comprises a second engagement pocket disposed behind the latch.

9. The apparatus of claim 1, wherein the eyewear frame further comprises a nose section configured to be disposed proximate a user's nose, wherein the nose section comprises a plurality of flexible fingers, and wherein each flexible finger is configured to be adjusted independent of the other flexible fingers

10. An apparatus comprising:

a goggle lens comprising a front surface, a back surface, and a protrusion disposed on the front surface and configured to contact a nose section of a goggle frame to space the nose section of the goggle frame away from the front surface.

11. The apparatus of claim 10, wherein the protrusion is molded onto the front surface.

12. The apparatus of claim 10, wherein the protrusion is coupled to the front surface.

13. The apparatus of claim 10, further comprising:

the goggle frame, the goggle frame comprising an engagement pocket and a tab disposed on a portion of the engagement pocket; and

a latch configured to move between an open position and a closed position, wherein the open position is configured to allow fitment of a lens to the goggle frame, and wherein the latch, in the closed position, is configured to cover at least a portion of the lens.

14. The apparatus of claim 10, further comprising:

a film disposed on the front surface, wherein the film is configured to be dispensed across the front surface and underneath the nose section when the goggle lens is coupled to the goggle frame; and

the goggle frame, wherein the goggle lens is coupled to the goggle frame.

15. The apparatus of claim 14, wherein the goggle lens is at least partially disposed within a groove of the goggle frame, and wherein the protrusion is configured to contact a portion of the groove to space the nose section of the goggle frame away from the front surface, and wherein the portion of the film configured to be disposed underneath the nose section is configured to be disposed underneath a portion of the groove.
16. A method of assembly the apparatus of claim 15, the method comprising:
disposing the goggle lens within the groove of the goggle frame; and
disposing the film on the front surface of the goggle lens.
17. An apparatus comprising:
a goggle frame comprising a nose section configured to be disposed proximate a user's nose, wherein the nose section comprises a plurality of flexible fingers, and wherein each flexible finger is configured to be adjusted independent of the other flexible fingers.
18. The apparatus of claim 17, wherein each of the flexible fingers comprise:
an internal structure configured to be adjusted when subject to an external force and to hold a position in the absence of the external force, wherein the force comprises force from the user positioning the nose section on the user's nose; and
a cover disposed over the internal structure.
19. The apparatus of claim 17, further comprising:
a goggle lens coupled to the goggle frame.
20. A method of using the apparatus of claim 19, the method comprising:
disposing the flexible fingers to conform to a shape of a user's nose.

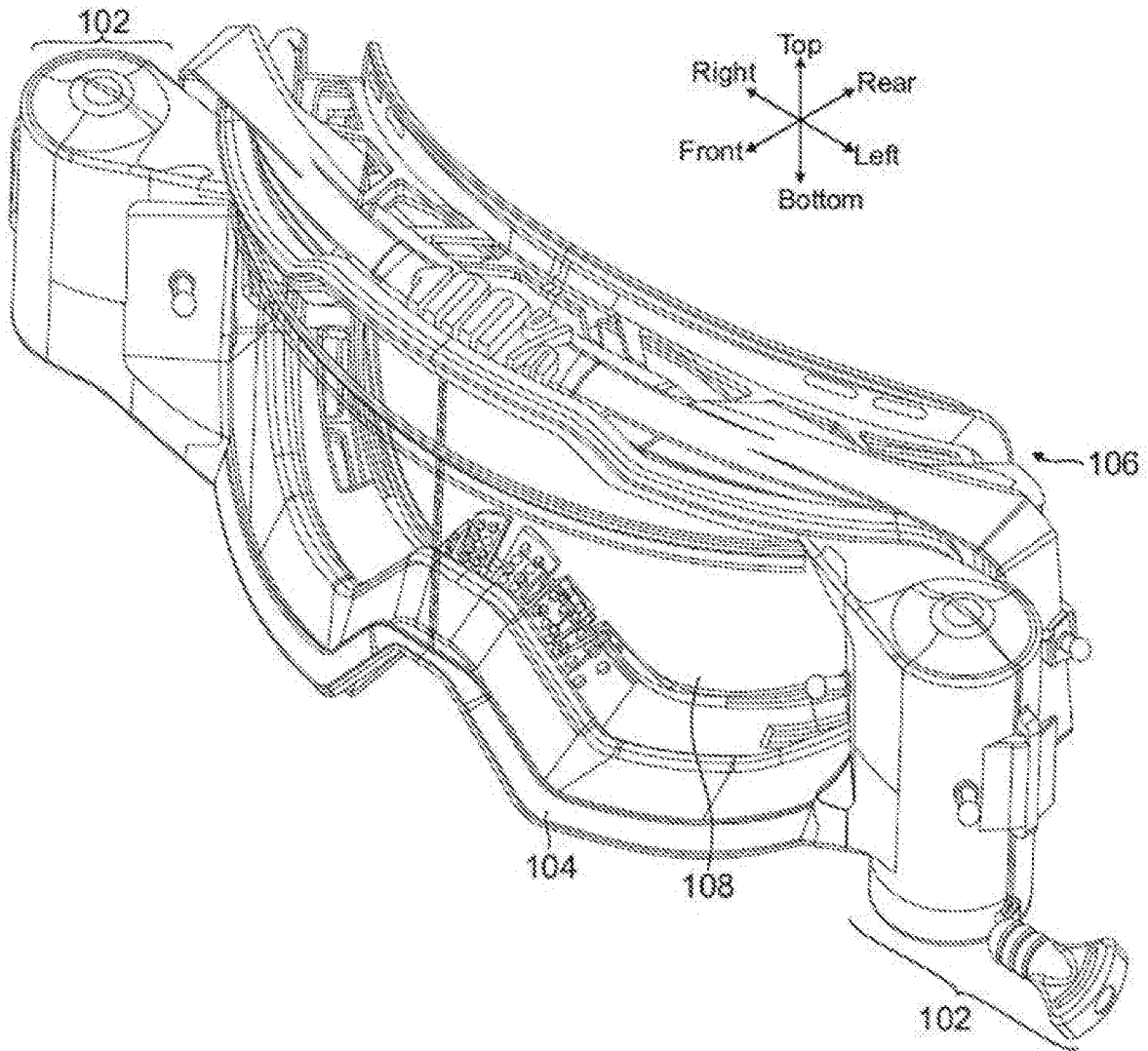


FIG. 1

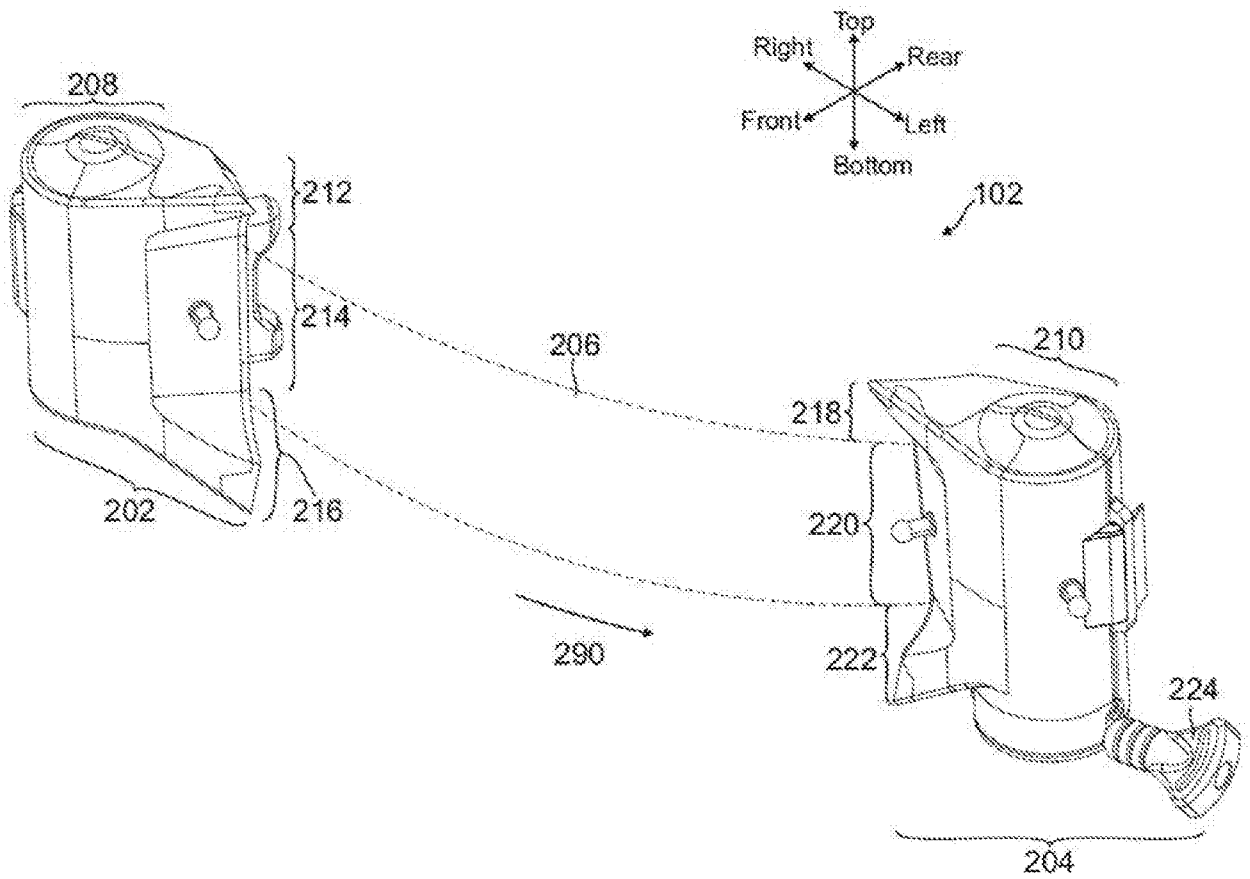


FIG. 2

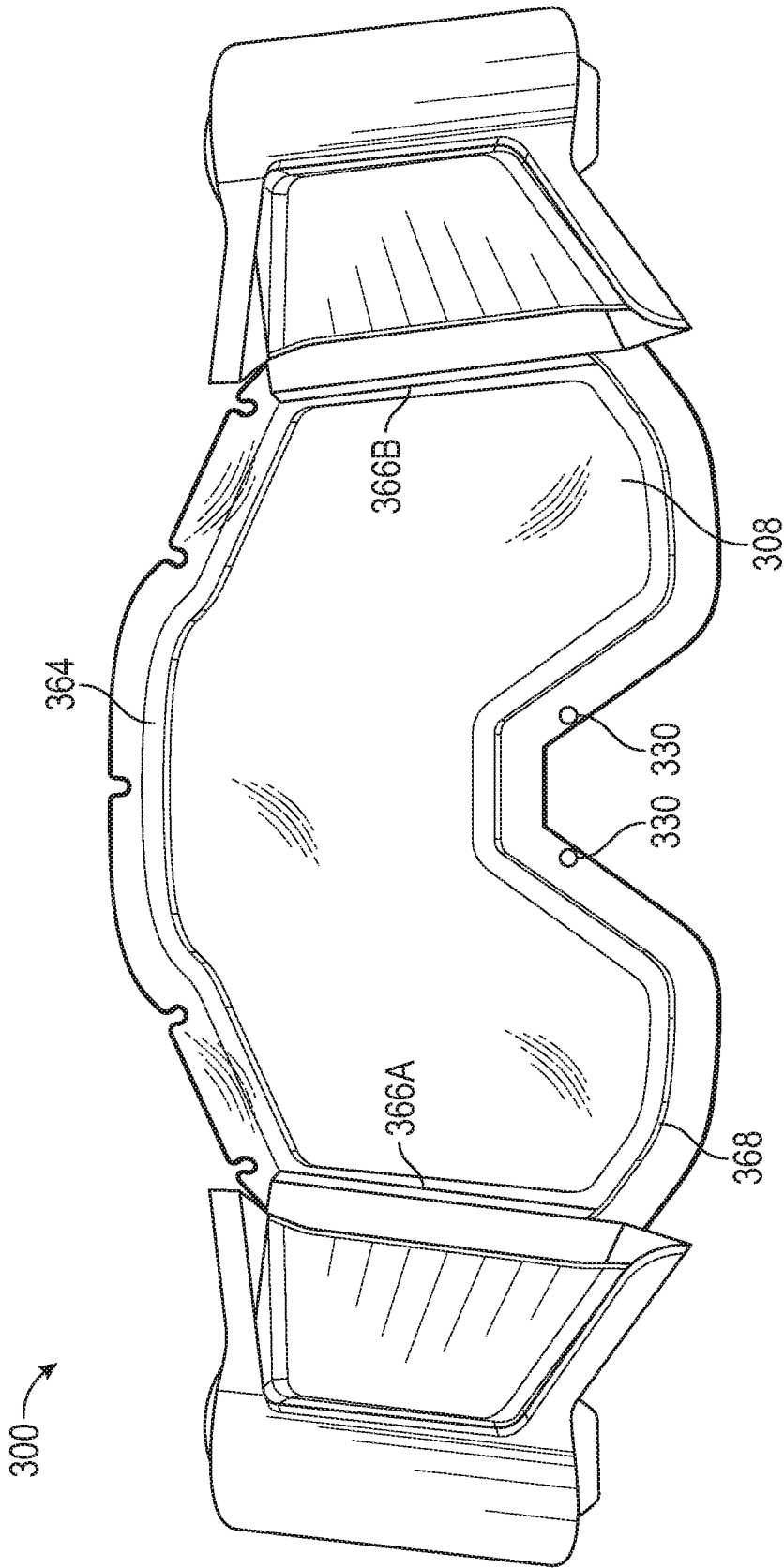


FIG. 3

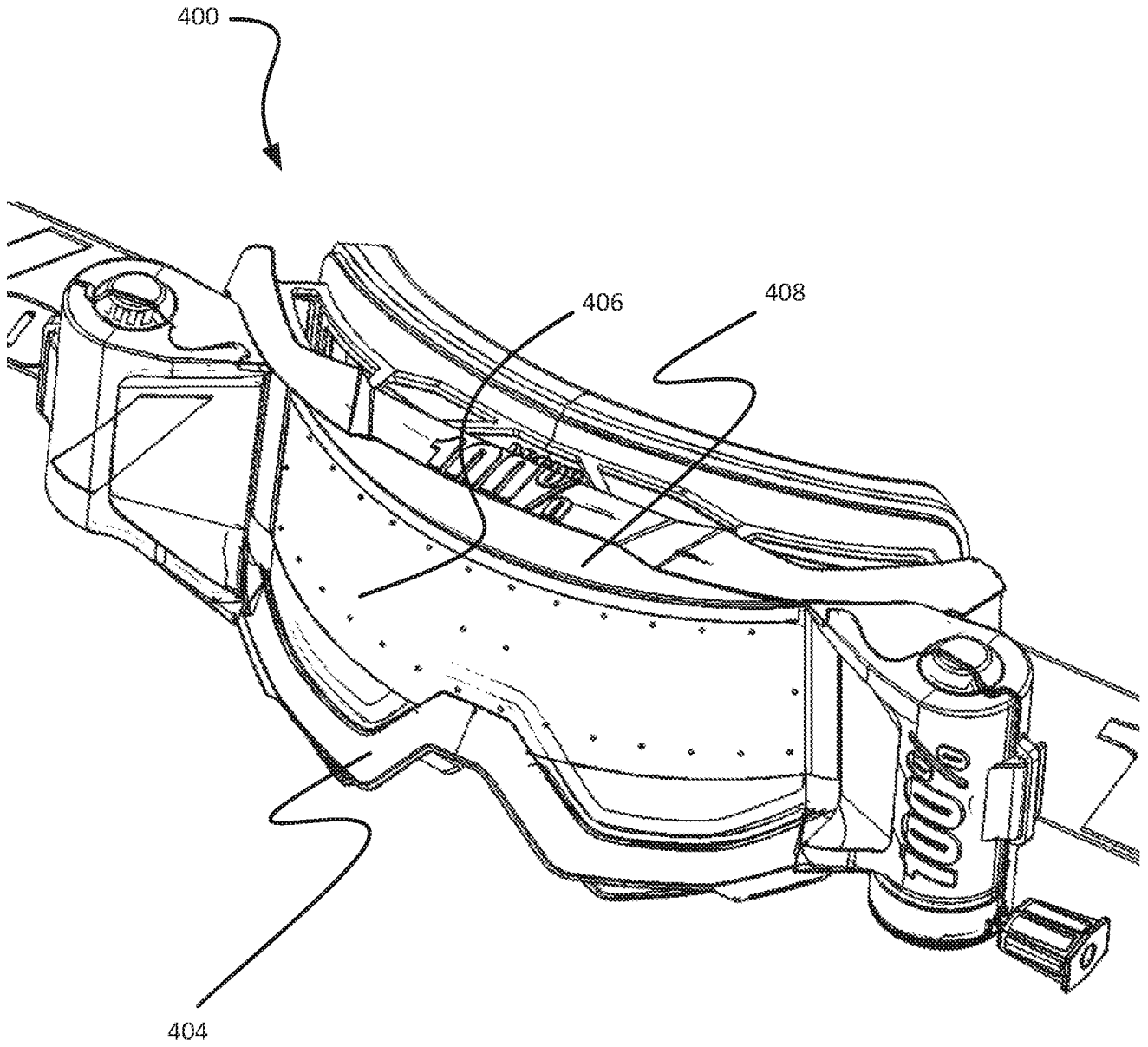


FIG. 4

5/14

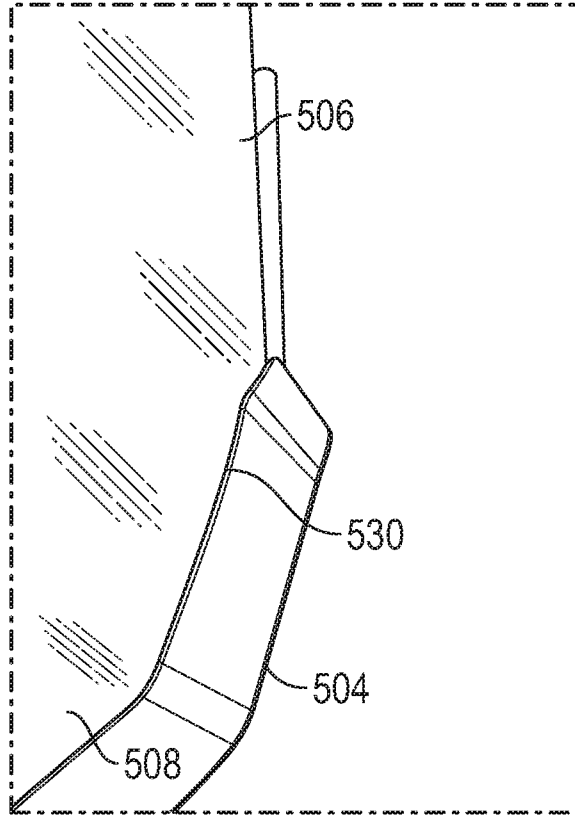


FIG. 5

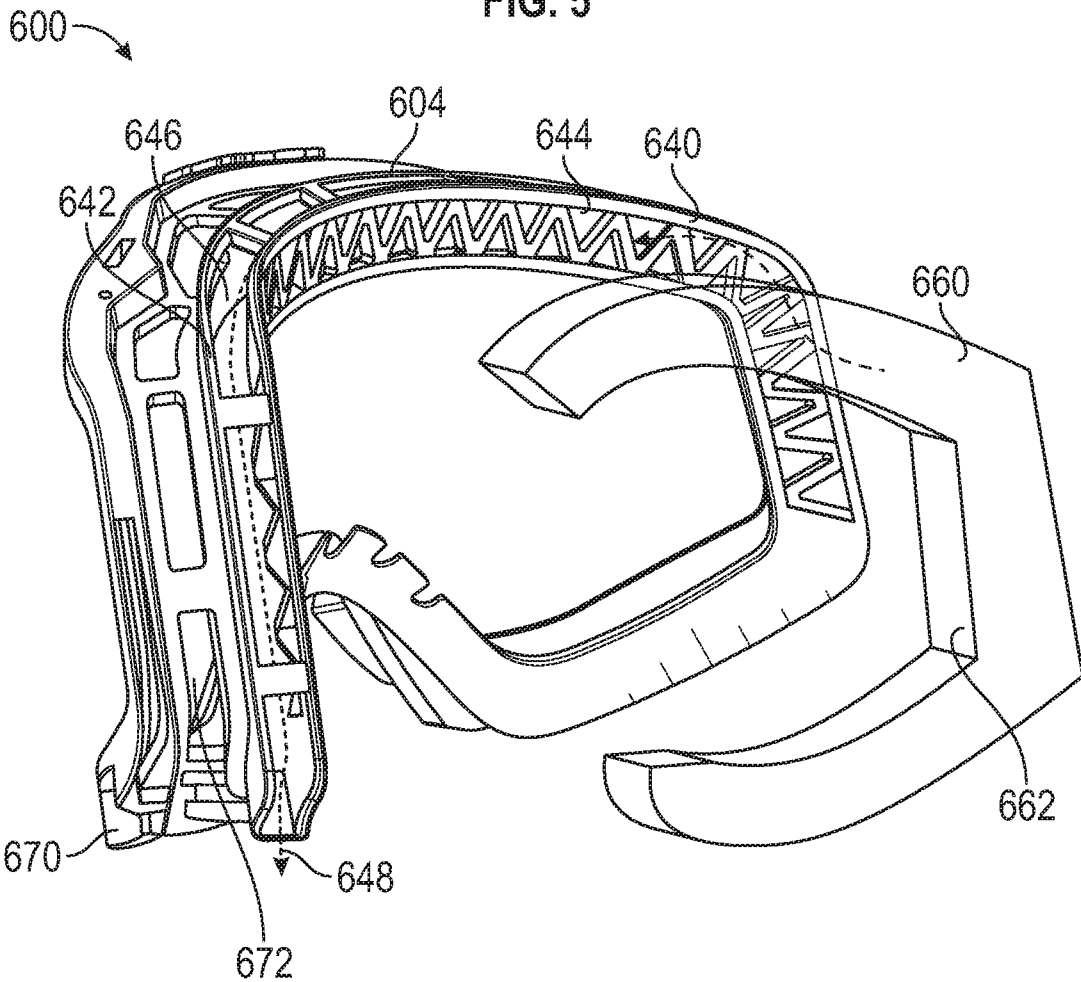


FIG. 6

700

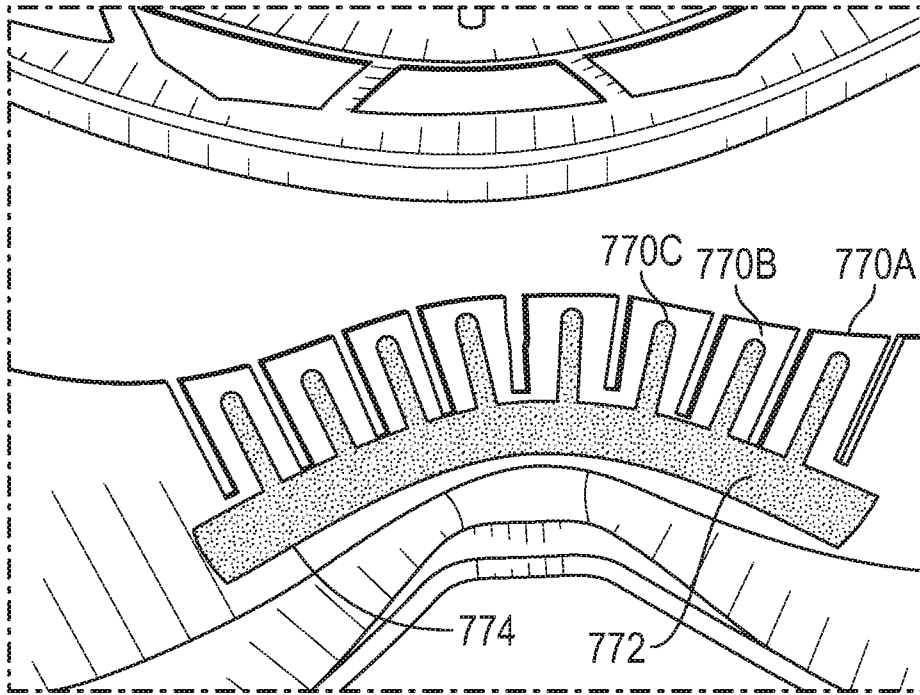


FIG. 7

800

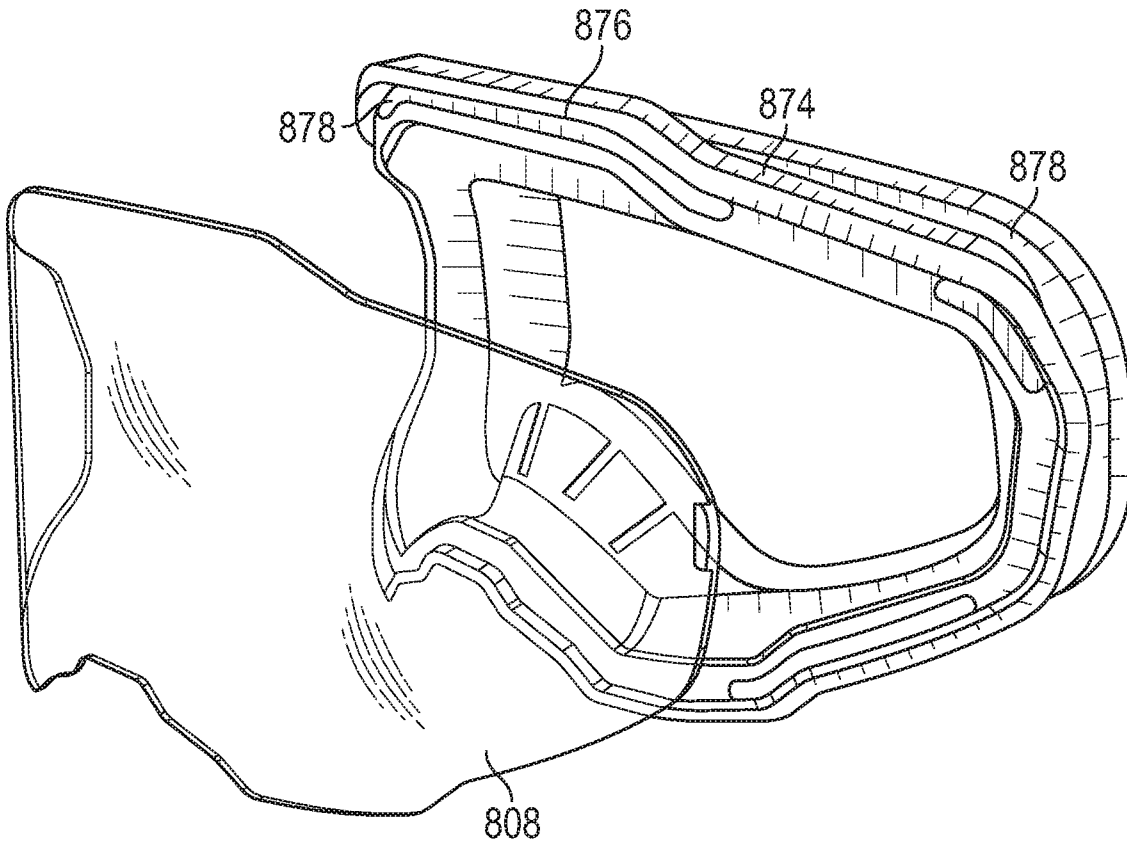


FIG. 8

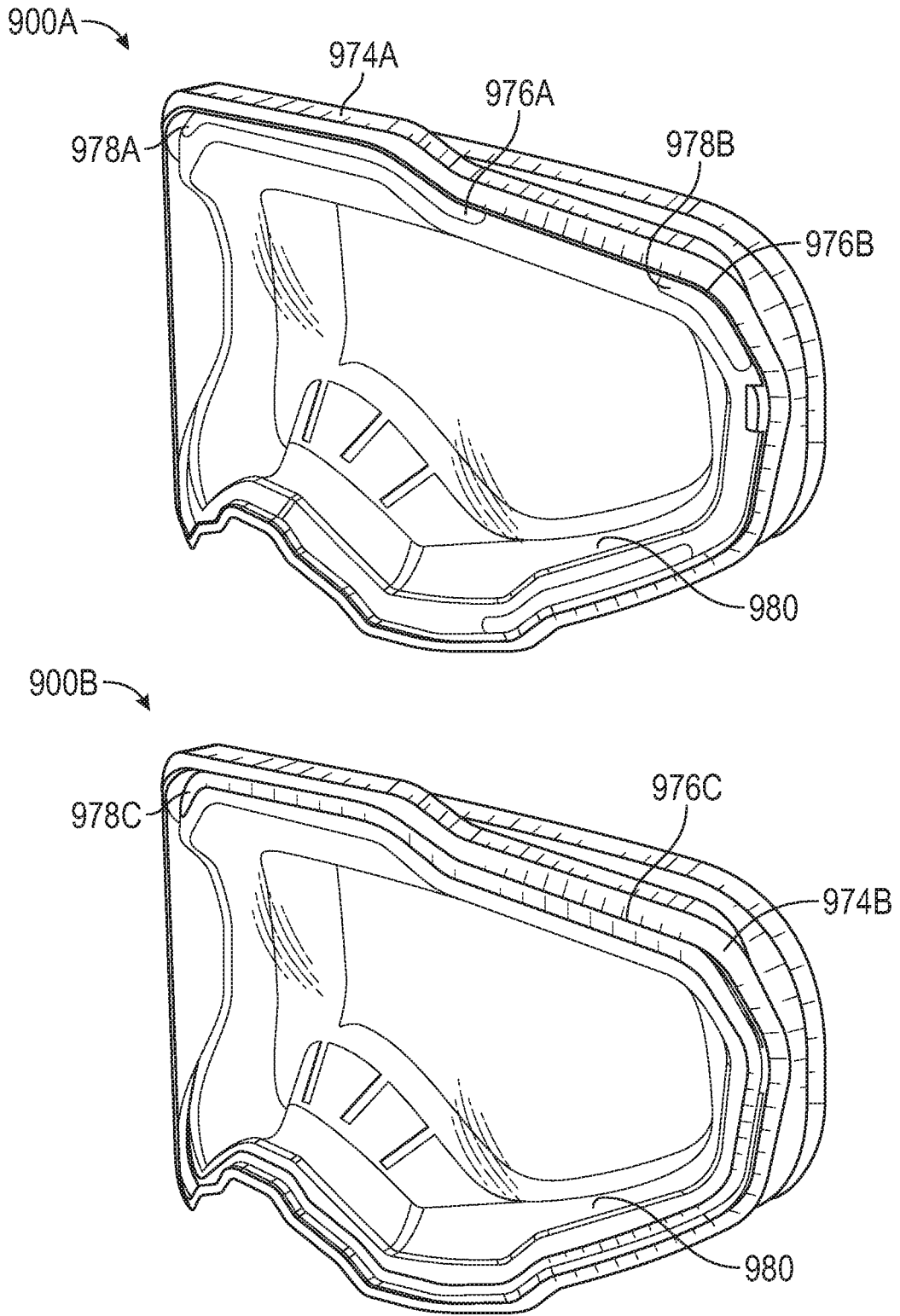


FIG. 9

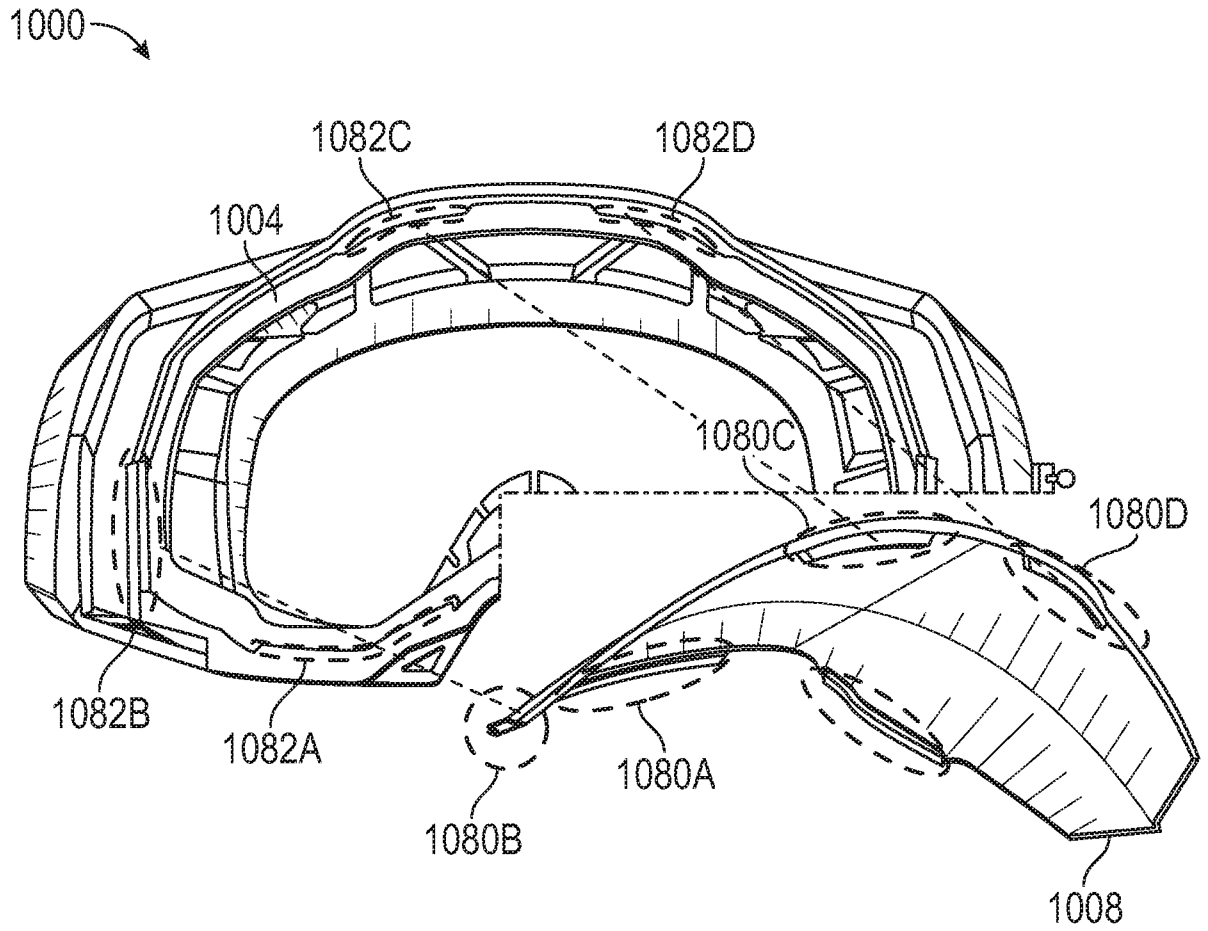


FIG. 10

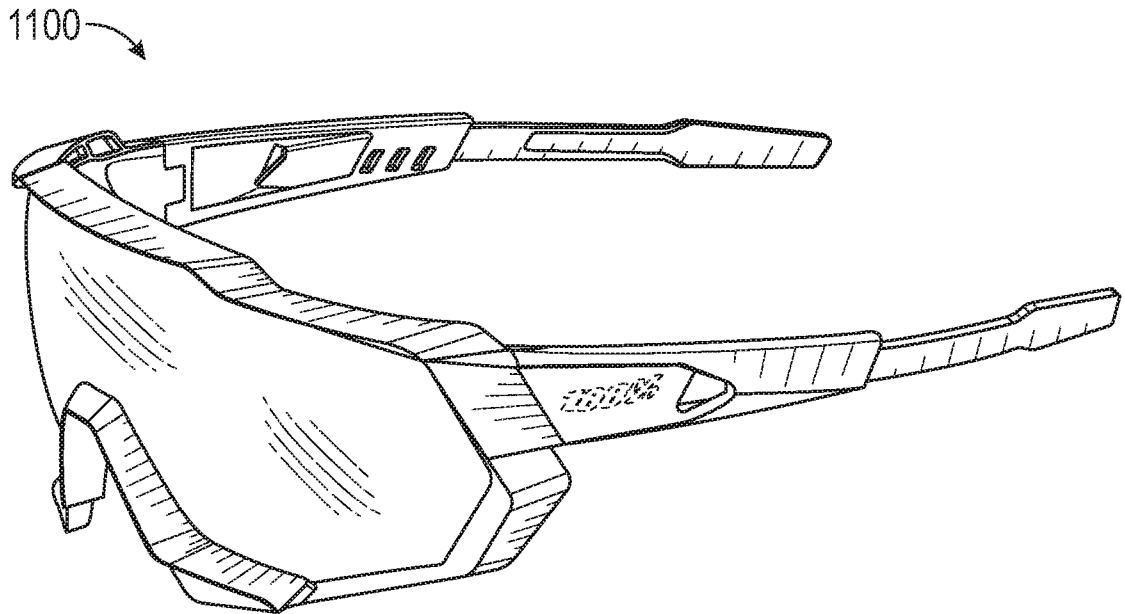


FIG. 11A

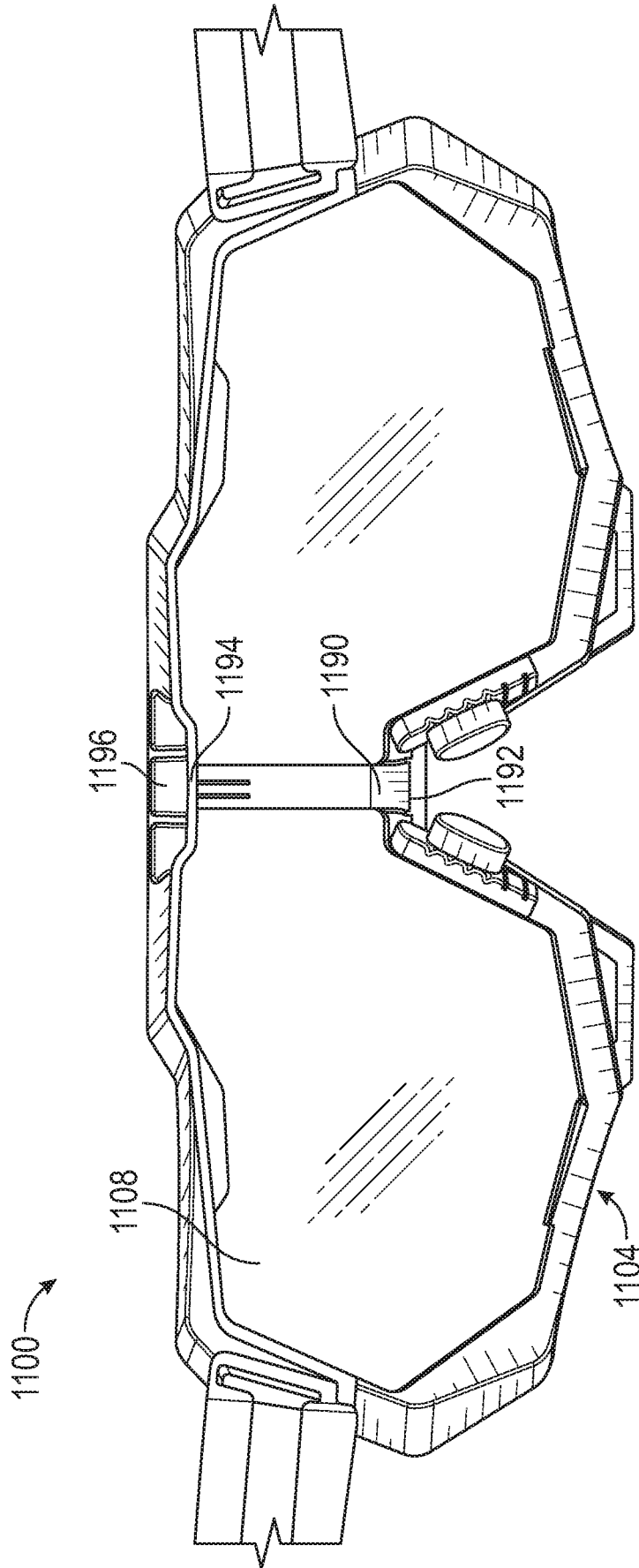
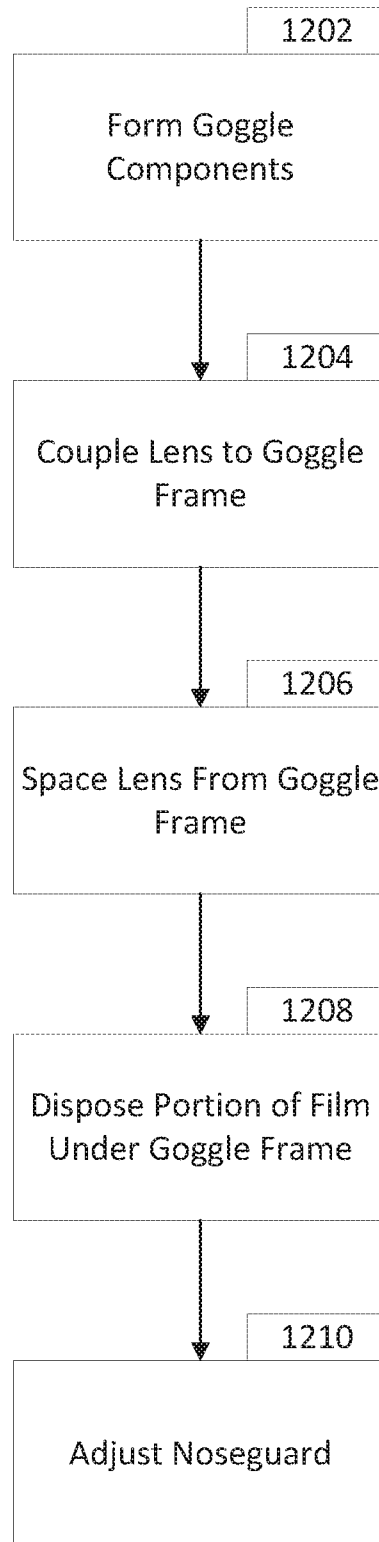


FIG. 11B

10/14

**FIG. 12**

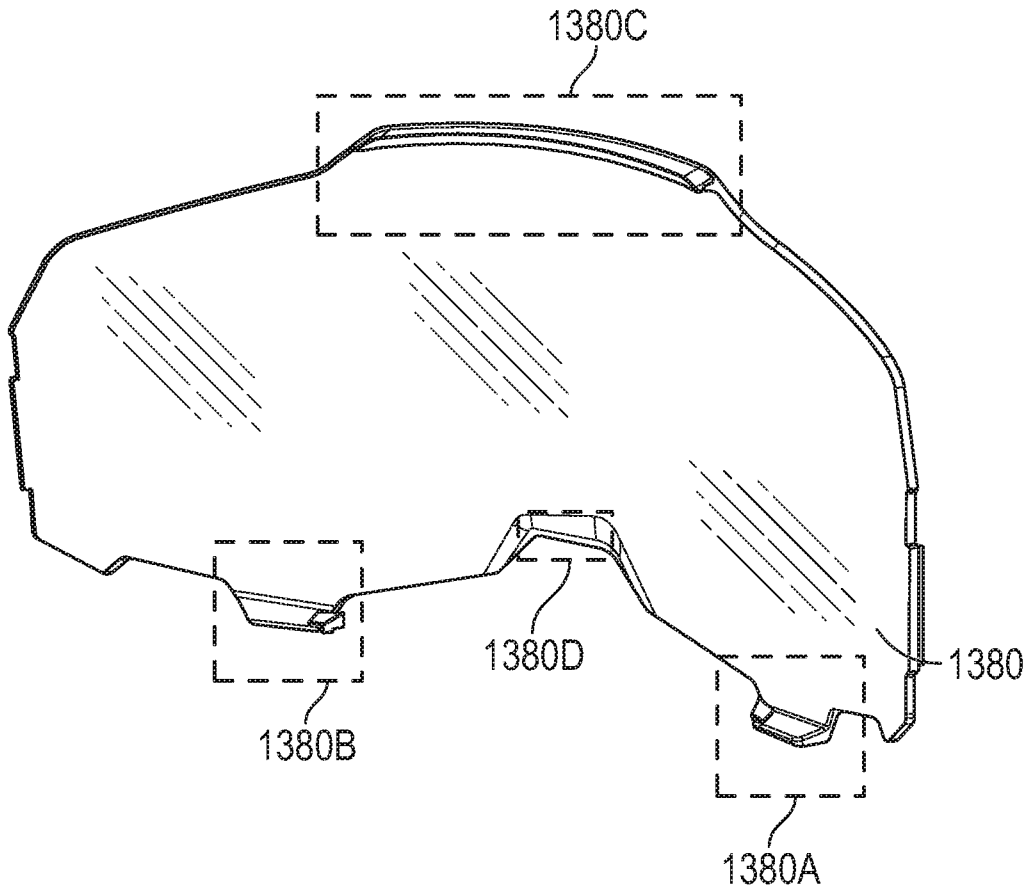


FIG. 13A

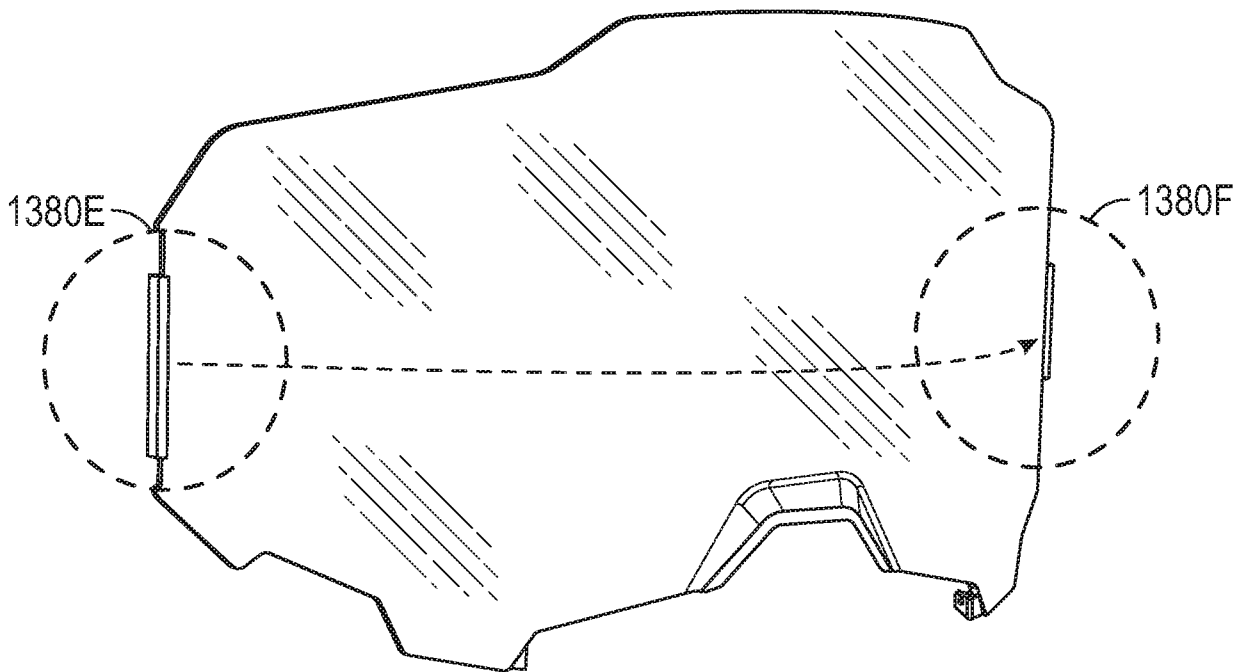


FIG. 13B

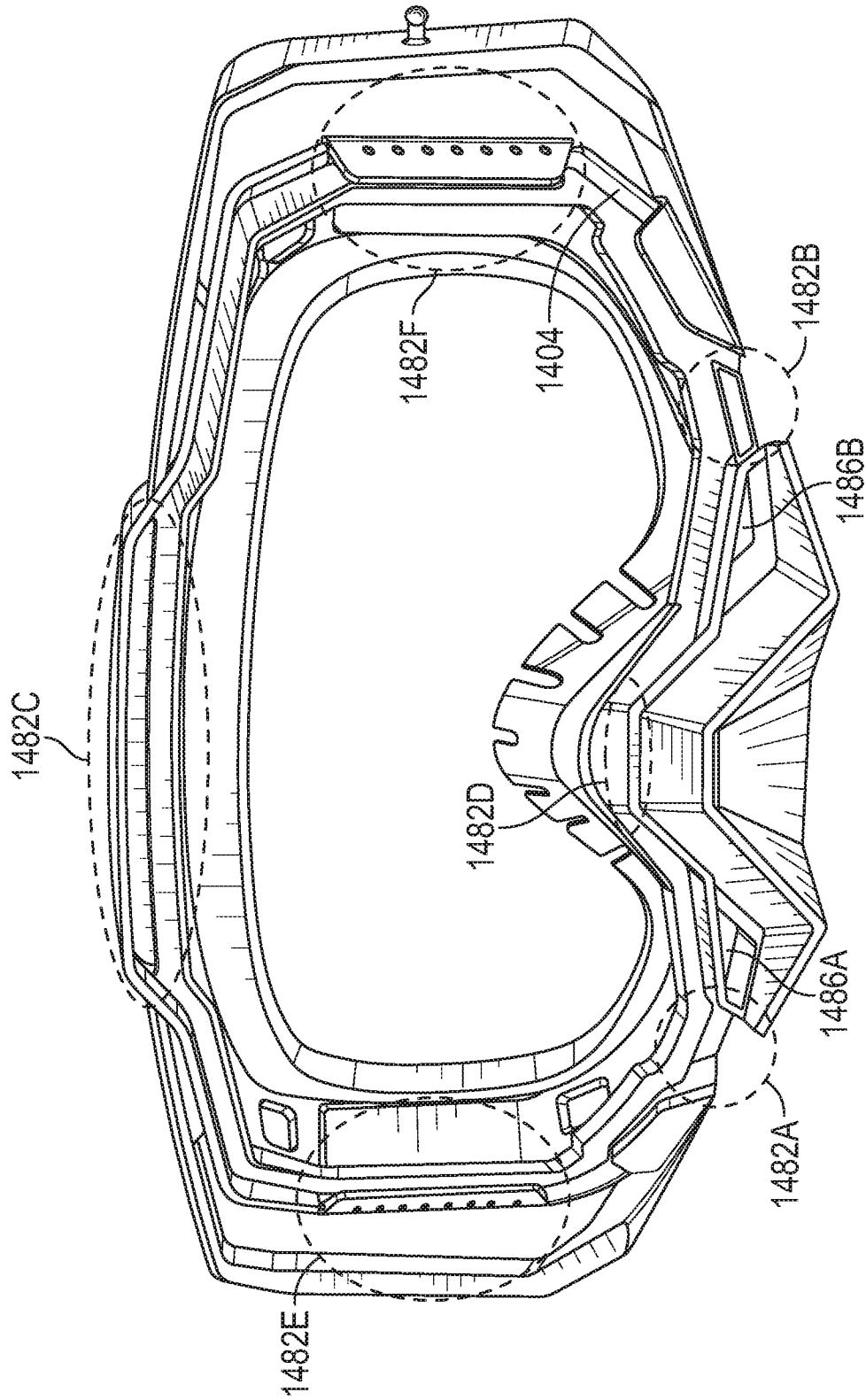


FIG. 14

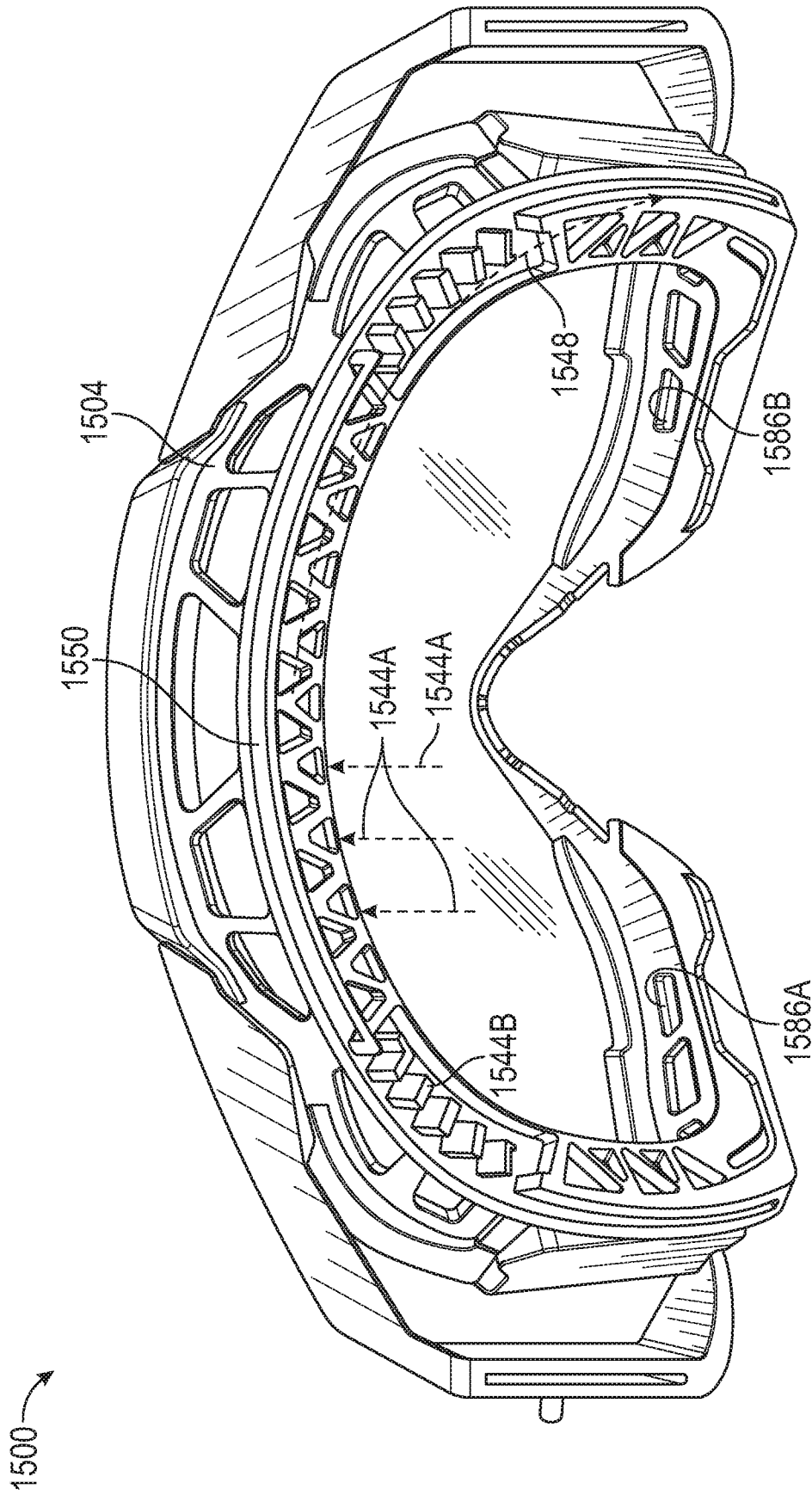


FIG. 15

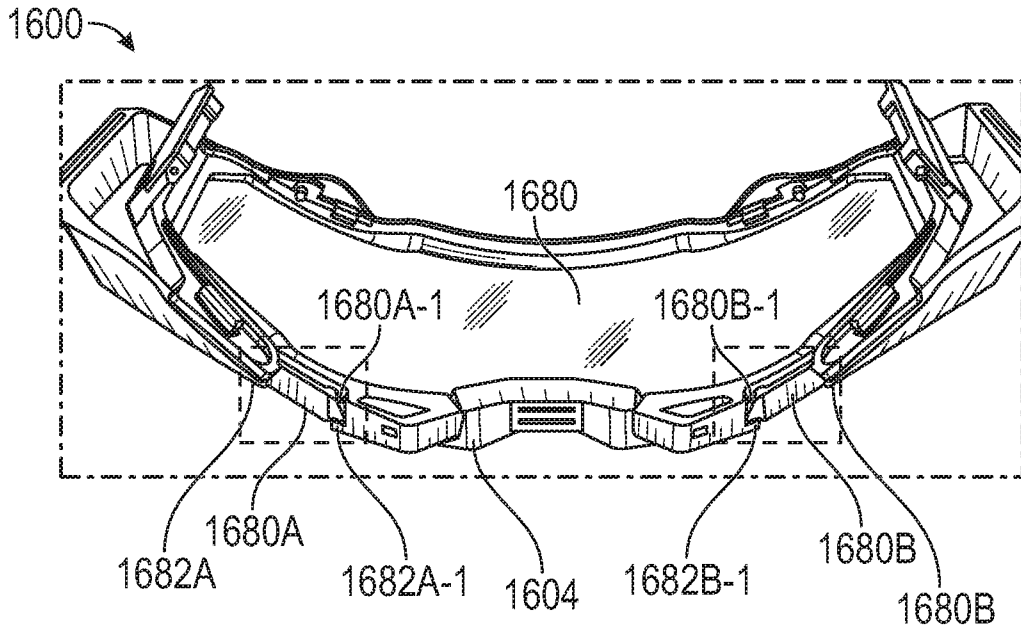


FIG. 16

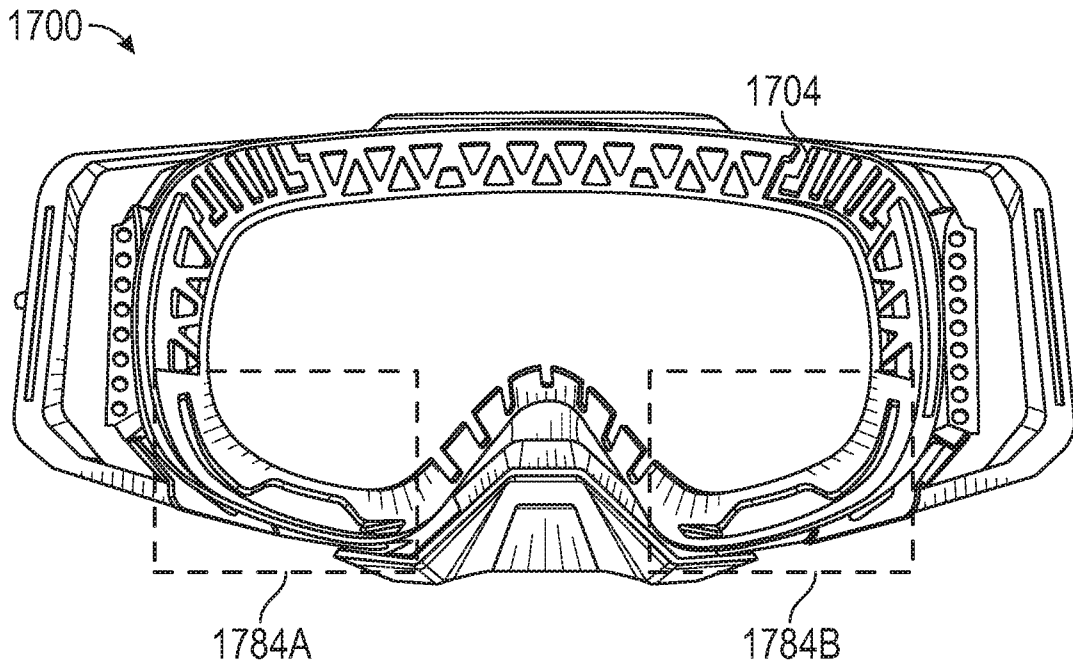


FIG. 17

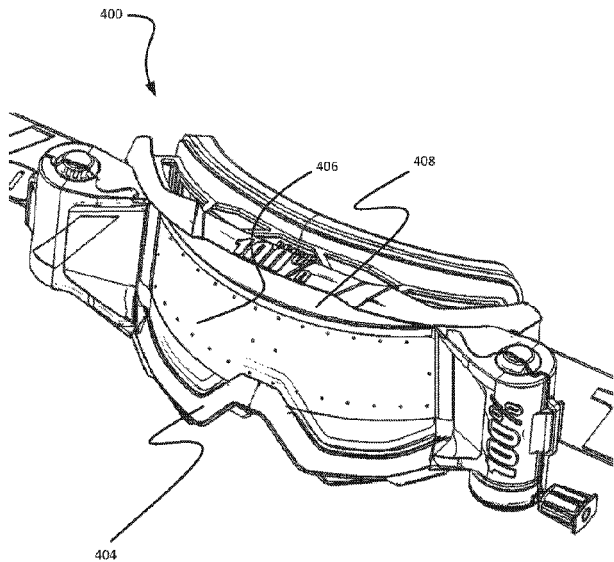


FIG. 4