

(19) World Intellectual Property Organization  
International Bureau



(43) International Publication Date  
20 November 2008 (20.11.2008)

PCT

(10) International Publication Number  
WO 2008/140343 A3

(51) International Patent Classification:

B30B 11/08 (2006.01) A23G 3/02 (2006.01)  
B30B 15/32 (2006.01) A23G 3/12 (2006.01)  
B30B 15/30 (2006.01) B30B 15/02 (2006.01)

(21) International Application Number:

PCT/RS2008/000011

(22) International Filing Date: 9 May 2008 (09.05.2008)

(25) Filing Language: English

(26) Publication Language: English

(30) Priority Data:

P - 2007/0204 11 May 2007 (11.05.2007) RS

(71) Applicant (for all designated States except US): **TOMOVIĆ, Dejan** [RS/RS]; Nehruova 48/17, Novi Beograd, 11070 (RS).

(72) Inventors; and

(75) Inventors/Applicants (for US only): **GAVRILOVIĆ, Vladica** [RS/RS]; Braće Petronijević 12, Cacak, 32000 (RS). **TOMOVIĆ, Milovan** [RS/RS]; Trnavska 1, Cacak, 32000 (RS).

(74) Agent: **VLAHOVIĆ, Slobodan**; Radoja Dakica 35/32, Novi Beograd, 11070 (RS).

(81) Designated States (unless otherwise indicated, for every kind of national protection available): AE, AG, AL, AM, AO, AT, AU, AZ, BA, BB, BG, BH, BR, BW, BY, BZ, CA, CH, CN, CO, CR, CU, CZ, DE, DK, DM, DO, DZ, EC, EE, EG, ES, FI, GB, GD, GE, GH, GM, GT, HN, HR, HU, ID, IL, IN, IS, JP, KE, KG, KM, KN, KP, KR, KZ, LA, LC, LK, LR, LS, LT, LU, LY, MA, MD, ME, MG, MK, MN, MW, MX, MY, MZ, NA, NG, NI, NO, NZ, OM, PG, PH, PL, PT, RO, RS, RU, SC, SD, SE, SG, SK, SL, SM, SV, SY, TJ, TM, TN, TR, TT, TZ, UA, UG, US, UZ, VC, VN, ZA, ZM, ZW.

(84) Designated States (unless otherwise indicated, for every kind of regional protection available): ARIPO (BW, GH, GM, KE, LS, MW, MZ, NA, SD, SL, SZ, TZ, UG, ZM, ZW), Eurasian (AM, AZ, BY, KG, KZ, MD, RU, TJ, TM), European (AT, BE, BG, CH, CY, CZ, DE, DK, EE, ES, FI, FR, GB, GR, HR, HU, IE, IS, IT, LT, LU, LV, MC, MT, NL, NO, PL, PT, RO, SE, SI, SK, TR), OAPI (BF, BJ, CF, CG, CI, CM, GA, GN, GQ, GW, ML, MR, NE, SN, TD, TG).

Declaration under Rule 4.17:

— as to applicant's entitlement to apply for and be granted a patent (Rule 4.17(ii))

[Continued on next page]

(54) Title: TECHNOLOGY FOR MANUFACTURING OF INTEGRAL COMPRESSED PRODUCT ON A SOLID STICK

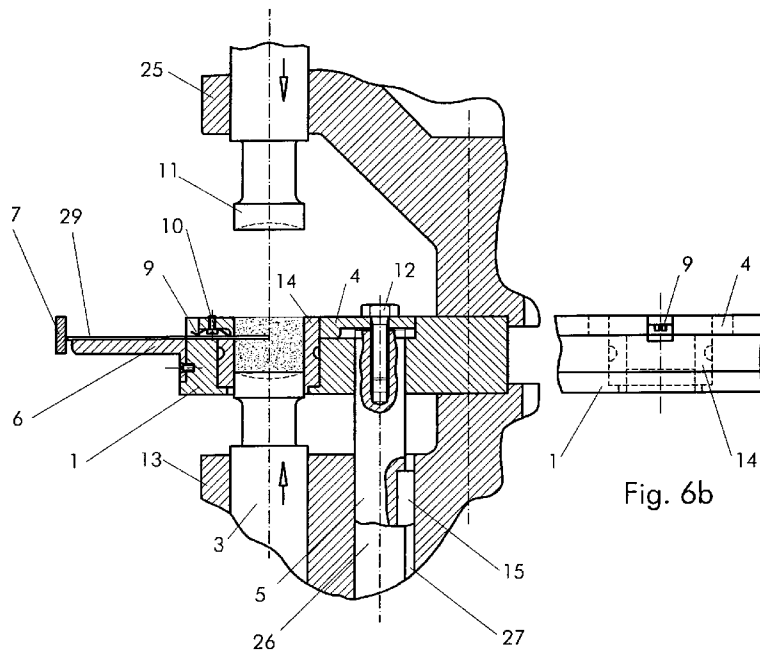


Fig. 6a

Fig. 6b

(57) Abstract: Technology for manufacturing of integral compressed product on a solid stick refers to the process of production of compressed product in food, chemical, pharmaceutical and other industries, so that in the working cycle of tableting and similar machines, a new part of the working cycle of the machine "insertion" is introduced, during which, by means of a carrying platform (6) with a crank shaped feeding mechanism (7) continual taking of the stick (29) from the charger (20) as well as guiding toward and accurate pushing into the die (14) already filled with the material intended for compression, through the slot (23) closed with a shutter achieved in the form of a leaf spring (9) or a bolt (16) and intended to protect the material intended for compression from scattering when the stick (29) is not inserted, i.e. to hold it firmly attached to the base when already filled into the die (14) and to prevent it from turning laterally due to centrifugal force generated from the rotation of the rotary die table, where the shutter is set on the lock (4) with the lock lifter (5), which

lift upward, thus enabling ejection of the final product from the die (14), and thereby the process is completed.

WO 2008/140343 A3



**Published:**

- *with international search report*
- *before the expiration of the time limit for amending the claims and to be republished in the event of receipt of amendments*

**(88) Date of publication of the international search report:**  
8 January 2009

**INTERNATIONAL SEARCH REPORT**

International application No  
PCT/RS2008/000011

**A. CLASSIFICATION OF SUBJECT MATTER**  
 INV. B30B11/08 B30B15/32 B30B15/30 A23G3/02 A23G3/12  
 B30B15/02

According to International Patent Classification (IPC) or to both national classification and IPC

**B. FIELDS SEARCHED**  
 Minimum documentation searched (classification system followed by classification symbols)  
 B30B A23G

Documentation searched other than minimum documentation to the extent that such documents are included in the fields searched

Electronic data base consulted during the international search (name of data base and, where practical, search terms used)  
 EPO-Internal

**C. DOCUMENTS CONSIDERED TO BE RELEVANT**

Category*	Citation of document, with indication, where appropriate, of the relevant passages	Relevant to claim No.
X	GB 636 219 A (LEO LATINI; EDMOND LATINI) 26 April 1950 (1950-04-26) page 4, left-hand column, line 48 - page 5, right-hand column, line 83; claims; figures 1,6	1-16
X	US 3 829 262 A (AQUARIUS C) 13 August 1974 (1974-08-13) claims; figures	1-16
X	FR 807 811 A (A HENKEL) 22 January 1937 (1937-01-22) the whole document	1-4, 14-16
A	US 1 595 127 A (SPAID RUSSEL B) 10 August 1926 (1926-08-10) figures	8,9
	-/--	

Further documents are listed in the continuation of Box C.  See patent family annex.

\* Special categories of cited documents :

*A* document defining the general state of the art which is not considered to be of particular relevance	*T* later document published after the international filing date or priority date and not in conflict with the application but cited to understand the principle or theory underlying the invention
*E* earlier document but published on or after the international filing date	*X* document of particular relevance; the claimed invention cannot be considered novel or cannot be considered to involve an inventive step when the document is taken alone
*L* document which may throw doubts on priority claim(s) or which is cited to establish the publication date of another citation or other special reason (as specified)	*Y* document of particular relevance; the claimed invention cannot be considered to involve an inventive step when the document is combined with one or more other such documents, such combination being obvious to a person skilled in the art.
*O* document referring to an oral disclosure, use, exhibition or other means	*Z* document member of the same patent family
*P* document published prior to the international filing date but later than the priority date claimed	

Date of the actual completion of the international search  30 October 2008	Date of mailing of the international search report  06/11/2008
--	--

Name and mailing address of the ISA/ European Patent Office, P.B. 5818 Patentlaan 2 NL - 2280 HV Rijswijk Tel. (+31-70) 340-2040, Fax: (+31-70) 340-3016	Authorized officer  Baradat, Jean-Luc
--	---

# INTERNATIONAL SEARCH REPORT

International application No  
PCT/RS2008/000011

C(Continuation). DOCUMENTS CONSIDERED TO BE RELEVANT

Category*	Citation of document, with indication, where appropriate, of the relevant passages	Relevant to claim No.
A	US 2 431 489 A (LEO LATINI) 25 November 1947 (1947-11-25) claims; figures -----	1-16

# INTERNATIONAL SEARCH REPORT

Information on patent family members

International application No <b>PCT/RS2008/000011</b>
--

Patent document cited in search report	Publication date	Patent family member(s)	Publication date
GB 636219	A	26-04-1950	NONE
<hr/>			
US 3829262	A	13-08-1974	NONE
		BE 790198 A2	15-02-1973
		DE 2252423 A1	03-05-1973
		ES 408012 A1	01-11-1975
		FR 2158335 A1	15-06-1973
		GB 1371419 A	23-10-1974
		IT 966719 B	20-02-1974
		JP 48049975 A	14-07-1973
		JP 50011989 B	08-05-1975
		LU 66311 A1	23-01-1973
		NL 7114779 A	02-05-1973
<hr/>			
FR 807811	A	22-01-1937	NONE
<hr/>			
US 1595127	A	10-08-1926	NONE
<hr/>			
US 2431489	A	25-11-1947	NONE
<hr/>			