

[54] CRADLE FOR A TELEPHONE HANDSET OR SIMILAR ARTICLE

[75] Inventors: Rudolph W. Krolopp, Barrington Hills, Ill.; Duke Larsen, Lake Geneva, Wis.

[73] Assignee: Motorola, Inc., Schaumburg, Ill.

[\*\*] Term: 14 Years

[21] Appl. No.: 129,611

[22] Filed: Dec. 7, 1987

[52] U.S. Cl. .... D14/142; D14/248

[58] Field of Search ..... D14/60, 53, 62; 379/455, 440, 419, 435, 436, 434

[56] References Cited

U.S. PATENT DOCUMENTS

D. 157,849	3/1950	Dreyfuss	.....	379/455 X
D. 184,307	1/1959	Dreyfuss et al.	.....	D14/53
D. 208,702	9/1967	Tiwi	.....	D14/53
D. 211,737	7/1968	Dreyfuss	.....	D14/53 X
D. 246,043	10/1977	Taylor	.....	D14/53
D. 246,103	10/1977	Taylor	.....	D14/53
D. 248,758	8/1978	Krolopp et al.	.....	D14/53
D. 248,950	8/1978	Vitacco	.....	379/455
D. 249,795	10/1978	Brown	.....	D14/60
D. 252,752	8/1979	Fukushima et al.	.....	D14/53

D. 260,518	9/1981	Larson	.....	D14/53
D. 262,627	1/1982	Genao et al.	.....	D14/60
D. 264,079	4/1982	Peterson	.....	D14/60 X
D. 265,733	8/1982	Fukushima et al.	.....	D14/53
D. 278,708	5/1985	Taylor et al.	.....	D14/60
D. 281,687	12/1985	Sakaw	.....	D14/60 X
D. 287,493	12/1986	Young	.....	D14/60 X
D. 289,393	4/1987	Lindahl	.....	D14/53 X
D. 294,021	2/1988	Jamison	.....	D14/62 X
D. 297,009	8/1988	Grambush et al.	.....	D14/60 X
4,723,281	2/1988	Pecker et al.	.....	379/440 X

Primary Examiner—Horace B. Fay, Jr.

Attorney, Agent, or Firm—Rolland R. Hackbart

[57] CLAIM

The ornamental design for cradle for a telephone handset or similar article, as shown and described.

DESCRIPTION

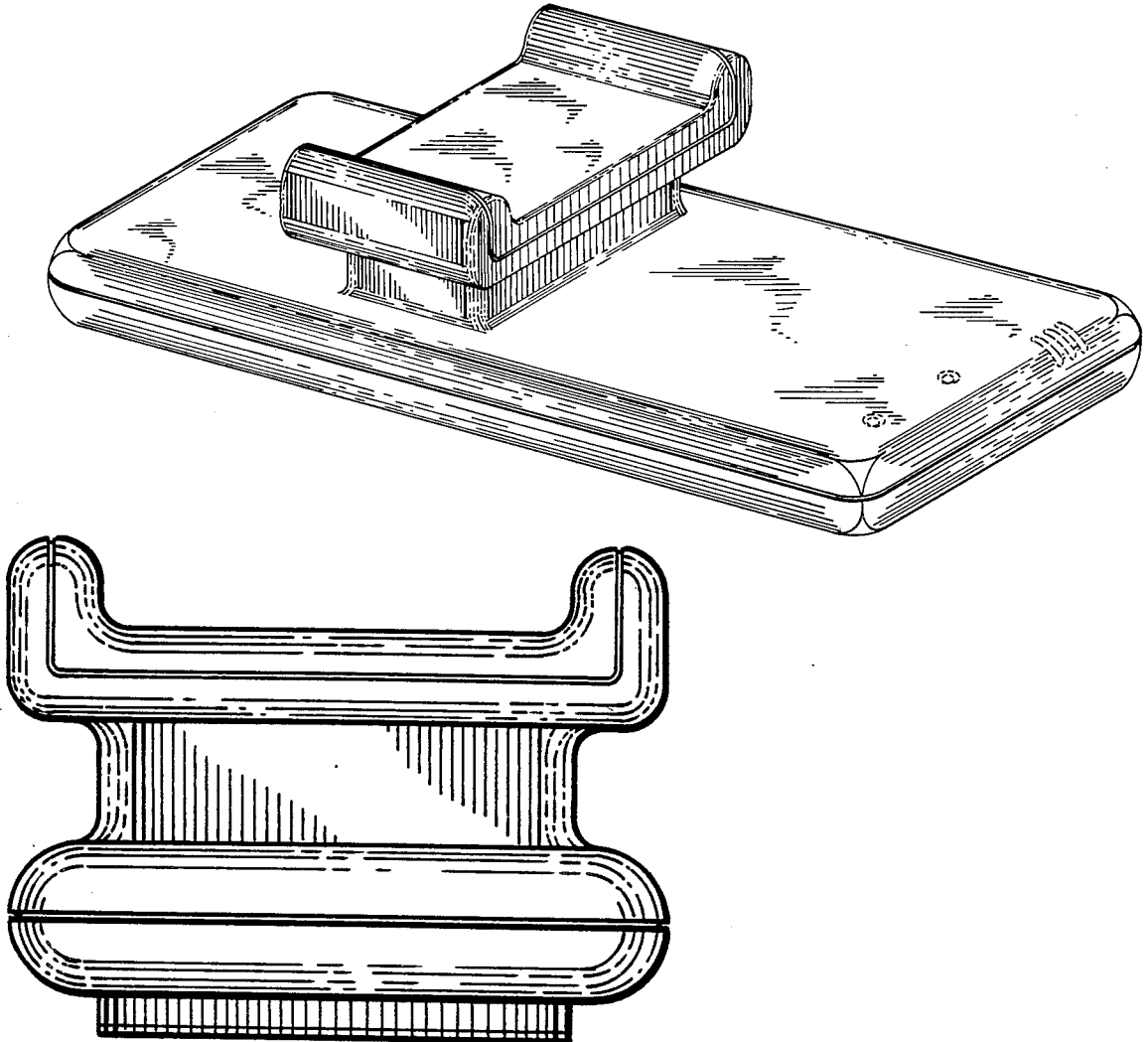
FIG. 1 is a front, top, and left side perspective view of a cradle for a telephone handset or similar article showing our new design;

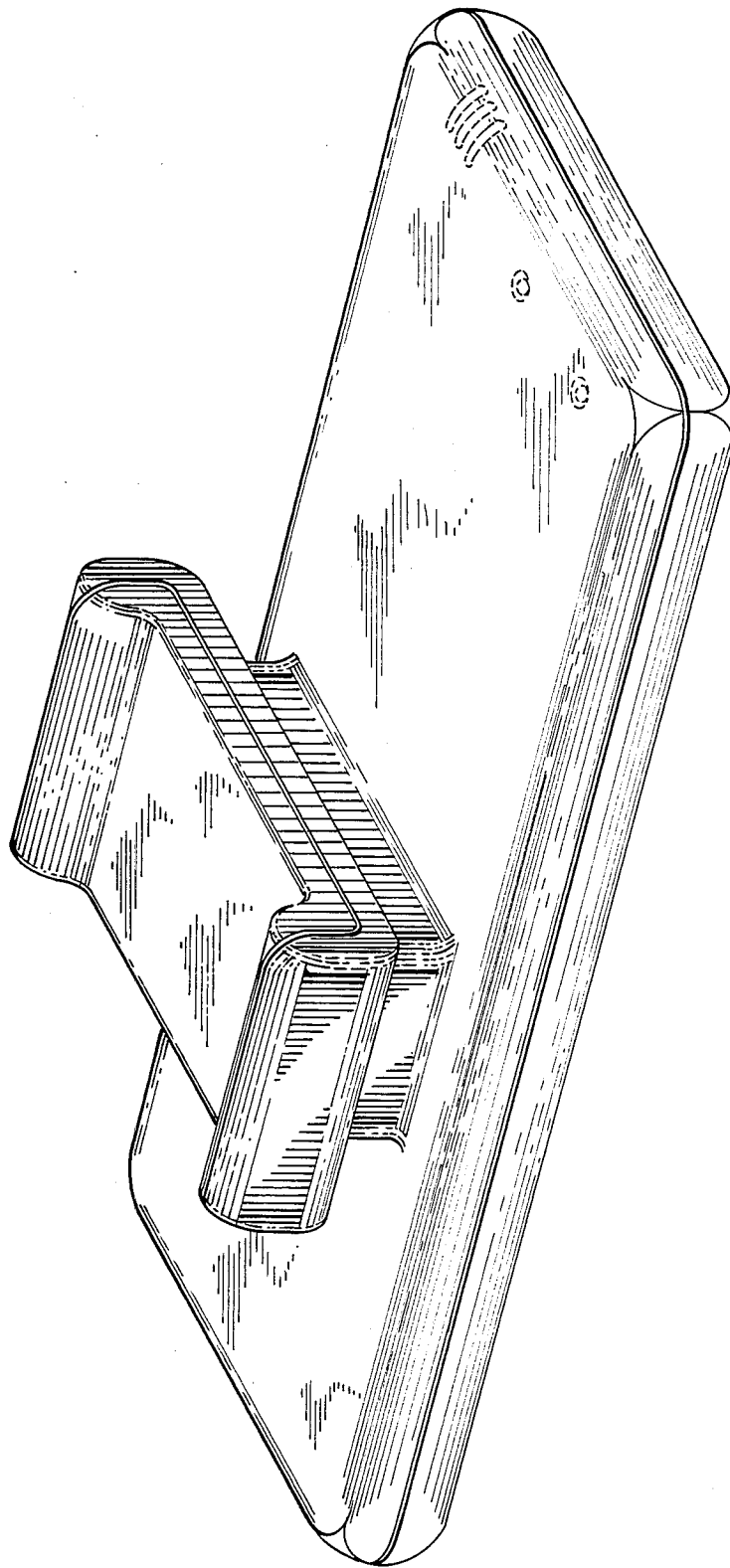
FIG. 2 is a right side elevational view thereof, the side opposite being a mirror image;

FIG. 3 is a bottom plan view thereof; and

FIG. 4 is a rear elevational view thereof.

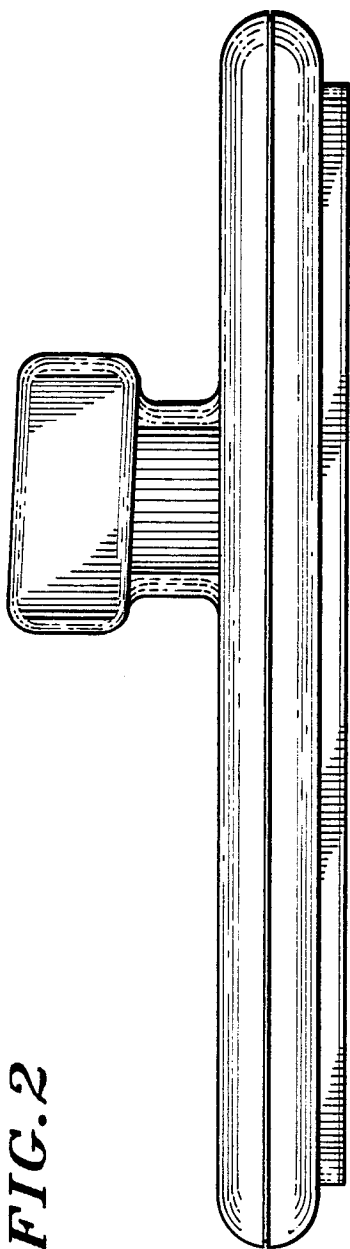
The broken line showing of apertures or the like in FIG. 1 is for illustrative purposes only and forms no part of the claimed design.



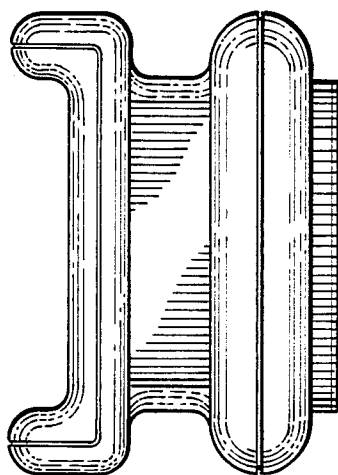
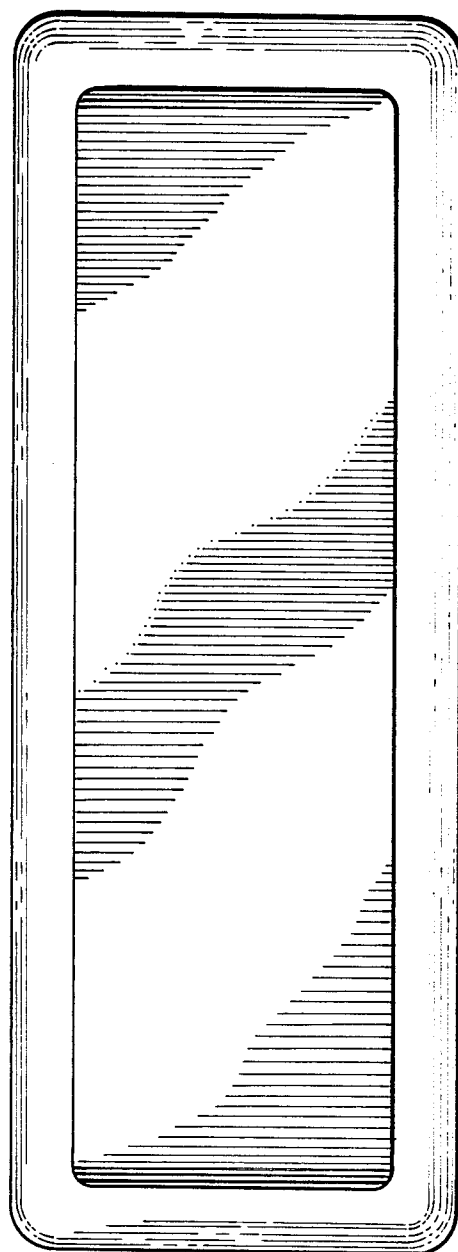


**FIG. 1**

*FIG. 2*



*FIG. 3*



*FIG. 4*