



US00D780941S

(12) **United States Design Patent**  
**Gauthier et al.**

(10) **Patent No.:** **US D780,941 S**  
(45) **Date of Patent:** **\*\* Mar. 7, 2017**

- (54) **BRICK**
- (71) Applicant: **NOVABRIK INTERNATIONAL INC.**, Montreal, Quebec (CA)
- (72) Inventors: **Simon Gauthier**, Rosemere (CA); **Gonzalo Endara**, Montreal (CA)
- (73) Assignee: **NOVABRIK INTERNATIONAL INC.**, Montreal (CA)
- (\*\*) Term: **14 Years**
- (21) Appl. No.: **29/526,642**
- (22) Filed: **May 12, 2015**

D742,552 S *	11/2015	Swanson	.....	D25/139
2004/0168384 A1*	9/2004	Wesolowska	.....	E04F 19/04 52/287.1
2005/0072894 A1*	4/2005	Grant	.....	A47G 1/1606 248/475.1
2009/0184440 A1*	7/2009	Chaussee	.....	B28B 7/0079 264/299
2012/0174514 A1*	7/2012	Nolan	.....	E06B 1/34 52/309.1
2013/0199121 A1*	8/2013	Grau	.....	E04C 2/30 52/588.1
2015/0090861 A1*	4/2015	Gauthier	.....	B28B 3/021 249/99
2016/0060878 A1*	3/2016	Everhart, II	.....	E04F 13/0894 52/588.1
2016/0136841 A1*	5/2016	Gauthier	.....	B28B 7/0079 52/588.1

(30) **Foreign Application Priority Data**

Nov. 13, 2014 (CA) ..... 159443

(51) **LOC (10) CL.** ..... **25-01**

(52) **U.S. CL.**  
USPC ..... **D25/113**

(58) **Field of Classification Search**  
 USPC .... D25/55, 58-61, 102, 113, 119, 120, 125,  
           D25/136, 138, 139, 141, 143, 164;  
           52/146, 211, 241, 242, 244, 262, 263,  
           52/287.1, 290, 312, 588.1, 716.1, 716.8,  
           52/800.1, 800.11; 248/475.1; 264/299  
 CPC ..... B28B 7/0079; B28B 7/0082; B28B 7/24;  
           E04F 13/141; E04F 13/144; E04F  
           13/0864; E04B 2002/021; E04B  
           2/12; A47G 1/1606; E04C 2/30  
 See application file for complete search history.

(56) **References Cited**

**U.S. PATENT DOCUMENTS**

6,988,761 B1 *	1/2006	Stidham	.....	B62D 33/04 296/186.1
D704,353 S *	5/2014	Redwine	.....	D25/139
D720,475 S *	12/2014	Gori	.....	D25/119

**OTHER PUBLICATIONS**

<https://www.youtube.com/watch?v=fpBUEu93LMs> posted Jun. 22, 2012.\*

\* cited by examiner

*Primary Examiner* — Susan Bennett Hattan  
*Assistant Examiner* — Leanne Was  
 (74) *Attorney, Agent, or Firm* — Brouillette Legal Inc.;  
 Robert Brouillette

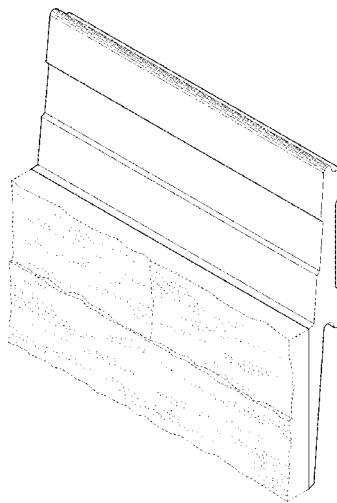
(57) **CLAIM**

The ornamental design for a brick, as shown and described.

**DESCRIPTION**

FIG. 1 is a perspective view of a brick;  
 FIG. 2 is a left elevation view of the brick;  
 FIG. 3 is a right elevation view of the brick;  
 FIG. 4 is a top plan view of the brick;  
 FIG. 5 is a bottom plan view of the brick;  
 FIG. 6 is a front elevation view of the brick; and,  
 FIG. 7 is a rear elevation view of the brick.  
 The elements and structures shown in dotted lines depict environmental subject matter and do not form part of the design.

**1 Claim, 5 Drawing Sheets**



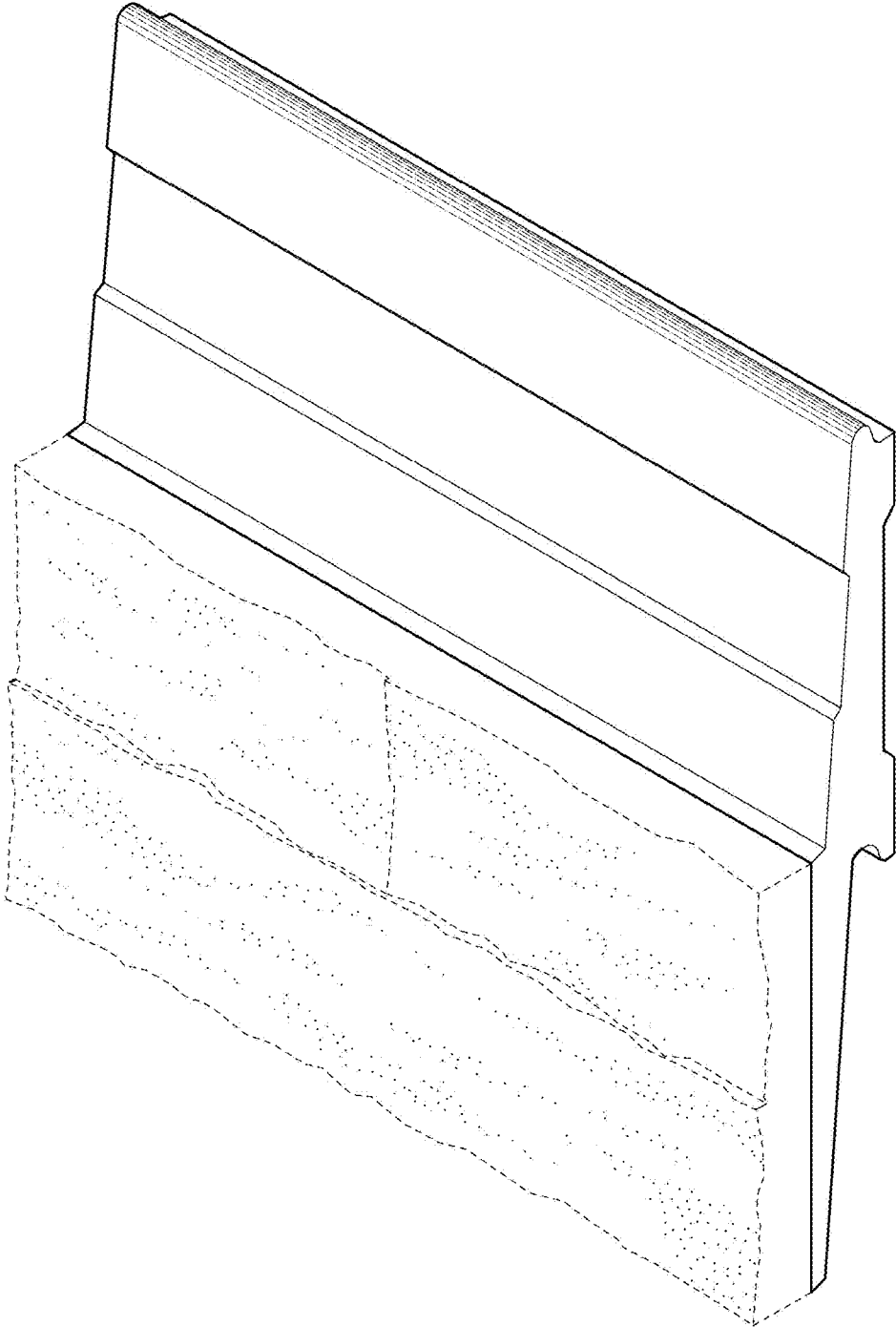


FIG. 1

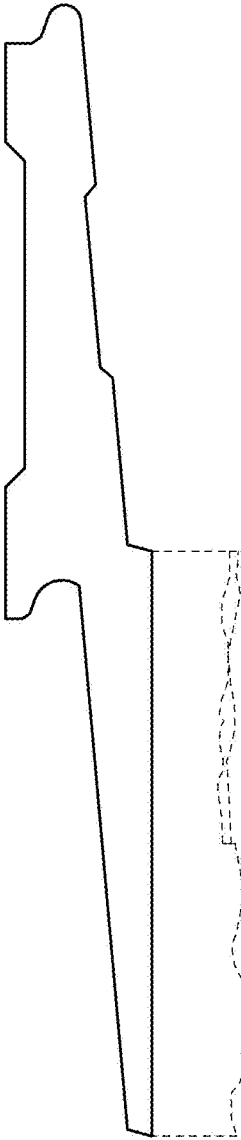


FIG. 2

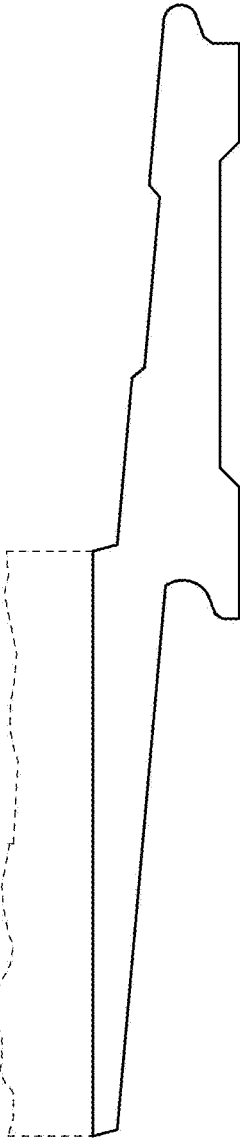


FIG. 3

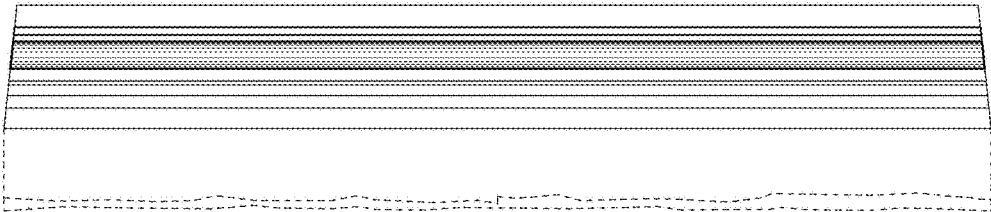


FIG. 4

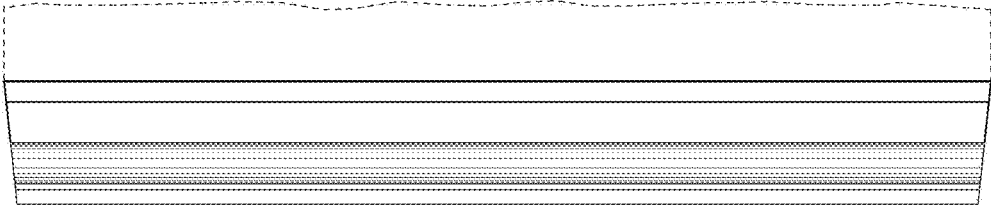


FIG. 5

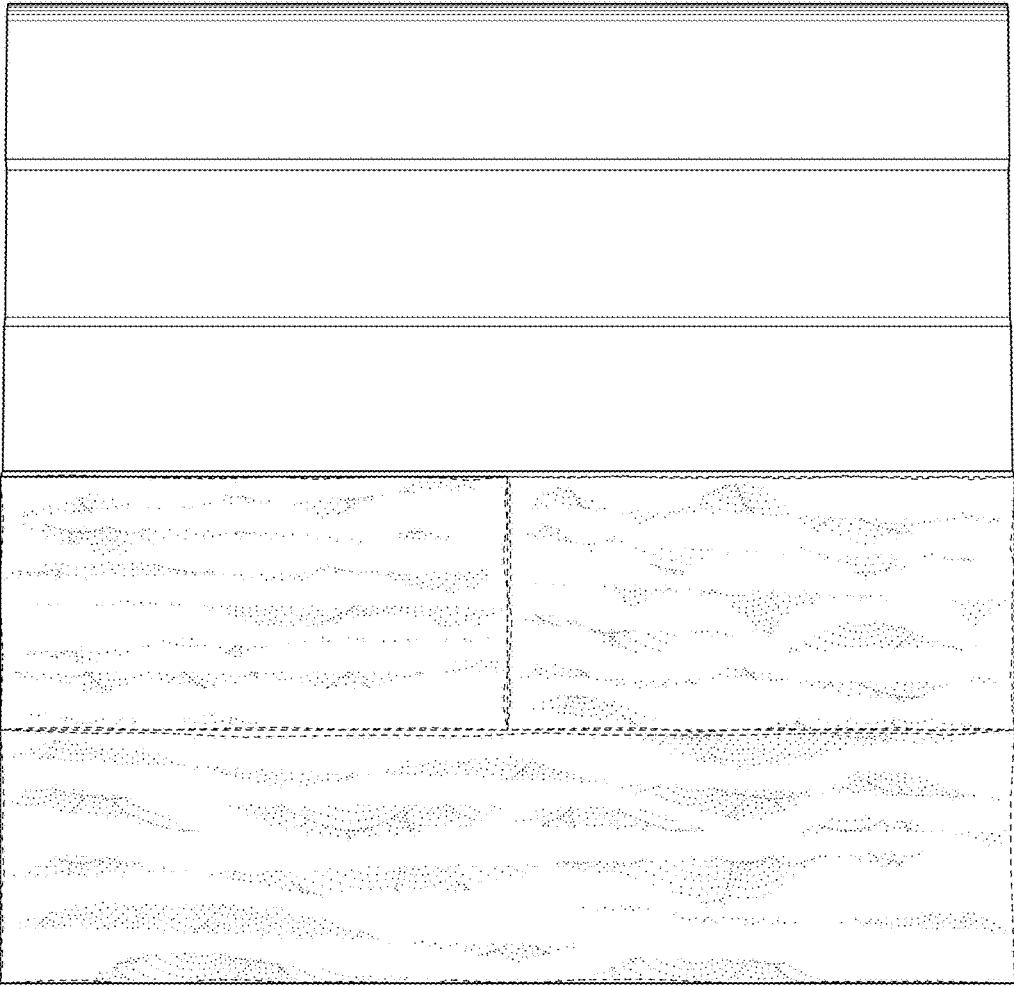


FIG. 6

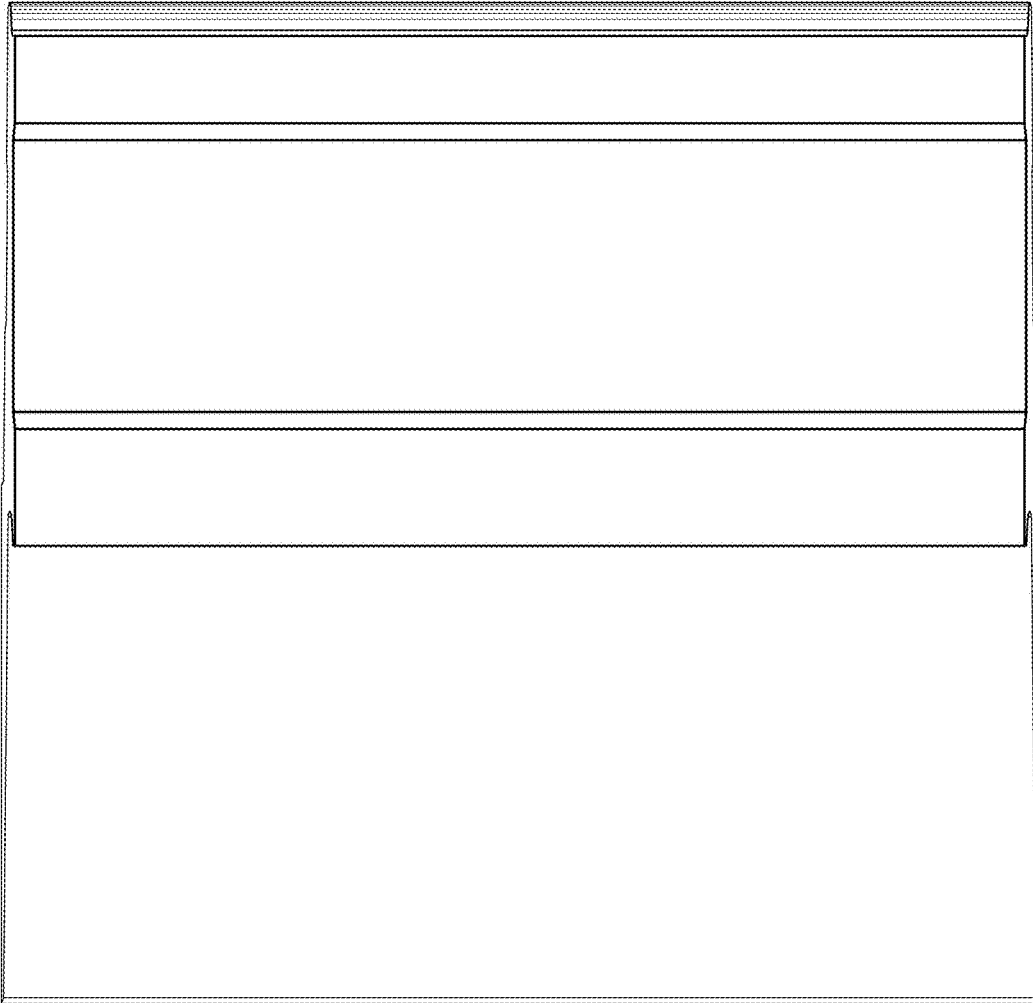


FIG. 7