



US00D783480S

(12) **United States Design Patent**
Sloterbeek et al.

(10) **Patent No.:** **US D783,480 S**
(45) **Date of Patent:** **** Apr. 11, 2017**

(54) **REARVIEW DEVICE**

FOREIGN PATENT DOCUMENTS

(71) Applicant: **Gentex Corporation**, Zeeland, MI (US)

DE 102010064082 A1 6/2012
EP 0513476 11/1992

(Continued)

(72) Inventors: **Eric S. Sloterbeek**, Hudsonville, MI (US); **Danny L. Minikey, Jr.**, Fenwick, MI (US); **Bradley R. Hamlin**, Allendale, MI (US)

OTHER PUBLICATIONS

Palalau et al., "FPD Evaluation for Automotive Application," Proceedings of the Vehicle Display Symposium, Nov. 2, 1995, pp. 97-103, Society for Information Display, Detroit Chapter, Santa Ana, CA.

(Continued)

(73) Assignee: **GENTEX CORPORATION**, Zeeland, MI (US)

(**) Term: **15 Years**

Primary Examiner — Katrina A Betton

(21) Appl. No.: **29/550,127**

(74) *Attorney, Agent, or Firm* — Price Heneveld LLP; Bradley D. Johnson

(22) Filed: **Dec. 30, 2015**

(57) **CLAIM**

We claim the ornamental design for a rearview device, as shown and described.

Related U.S. Application Data

(62) Division of application No. 29/511,063, filed on Dec. 5, 2014, now Pat. No. Des. 746,744.

DESCRIPTION

(51) **LOC (10) Cl.** **12-16**

FIG. 1 is a top front perspective view of a rearview device of the present disclosure;

(52) **U.S. Cl.**

FIG. 2 is a bottom front perspective view of the rearview device of FIG. 1;

USPC **D12/187**

FIG. 3 is a front elevational view of the rearview device of FIG. 1;

(58) **Field of Classification Search**

USPC D12/187, 188, 189; D6/300, 309

FIG. 4 is a rear elevational view of the rearview device of FIG. 1;

CPC B60R 1/076; G02B 7/182; G02B 5/08;

FIG. 5 is a top plan view of the rearview device of FIG. 1; FIG. 6 is a bottom plan elevational view of the rearview device of FIG. 1;

G02B 7/18

See application file for complete search history.

FIG. 7 is a first side elevational view of the rearview device of FIG. 1; and,

(56) **References Cited**

U.S. PATENT DOCUMENTS

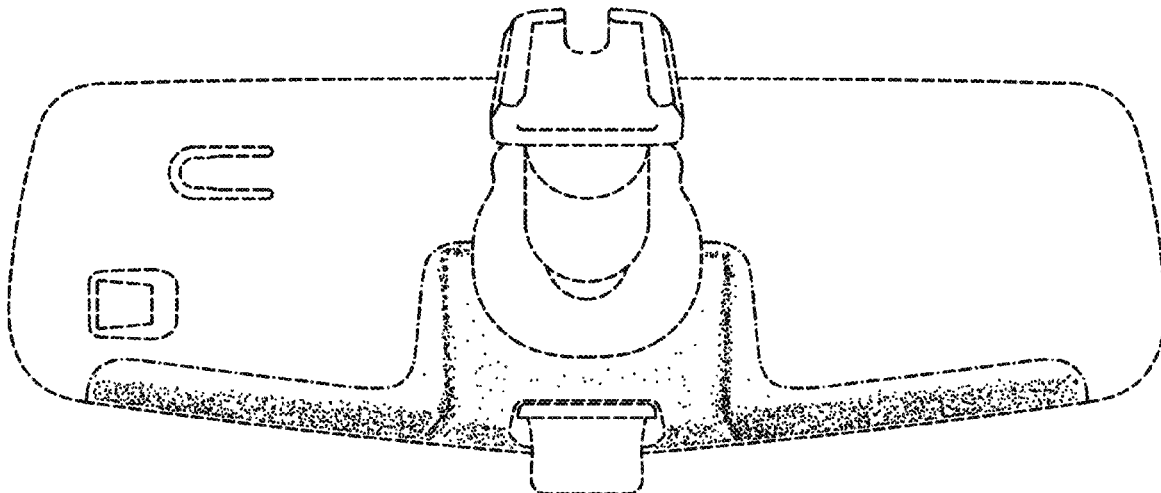
2,131,888 A 10/1938 Harris
2,632,040 A 3/1953 Rabinow
2,827,594 A 3/1958 Rabinow
3,179,845 A 4/1965 Kulwicz

FIG. 8 is a second side elevational view of the rearview device of FIG. 1.

The broken lines depict portions of the article that form no part of the claimed design.

(Continued)

1 Claim, 5 Drawing Sheets



(56)

References Cited

U.S. PATENT DOCUMENTS

3,280,701 A	10/1966	Donnelly et al.	5,355,146 A	10/1994	Chiu et al.
3,581,276 A	5/1971	Newman	5,379,104 A	1/1995	Takao
3,663,819 A	5/1972	Hicks et al.	5,379,146 A	1/1995	Defendini
3,837,129 A	9/1974	Losell	5,381,309 A	1/1995	Borchardt
4,109,235 A	8/1978	Bouthors	5,386,285 A	1/1995	Asayama
4,139,801 A	2/1979	Linares	5,396,054 A	3/1995	Krichever et al.
4,151,526 A	4/1979	Hinachi et al.	5,402,170 A	3/1995	Parulski et al.
4,214,266 A	7/1980	Myers	5,408,357 A	4/1995	Beukema
4,236,099 A	11/1980	Rosenblum	5,414,461 A	5/1995	Kishi et al.
4,257,703 A	3/1981	Goodrich	5,416,318 A	5/1995	Hegy
4,258,979 A	3/1981	Mahin	5,418,610 A	5/1995	Fischer
4,277,804 A	7/1981	Robison	5,421,940 A	6/1995	Cornils et al.
4,286,308 A	8/1981	Wolff	5,424,952 A	6/1995	Asayama
4,310,851 A	1/1982	Pierrat	5,426,294 A	6/1995	Kobayashi et al.
4,357,558 A	11/1982	Massoni et al.	5,428,464 A	6/1995	Silverbrook
4,376,909 A	3/1983	Tagami et al.	5,430,450 A	7/1995	Holmes
4,479,173 A	10/1984	Rumpakis	5,434,407 A	7/1995	Bauer et al.
4,499,451 A	2/1985	Suzuki et al.	5,448,397 A	9/1995	Tonar
D283,998 S	5/1986	Tanaka	5,451,822 A	9/1995	Bechtel et al.
4,599,544 A	7/1986	Martin	5,452,004 A	9/1995	Roberts
4,630,904 A	12/1986	Pastore	5,469,298 A	11/1995	Suman et al.
4,638,287 A	1/1987	Umebayashi et al.	5,471,515 A	11/1995	Fossum et al.
4,645,975 A	2/1987	Meitzler et al.	5,475,441 A	12/1995	Parulski et al.
4,665,321 A	5/1987	Chang et al.	5,475,494 A	12/1995	Nishida et al.
4,665,430 A	5/1987	Hiroyasu	5,481,268 A	1/1996	Higgins
4,692,798 A	9/1987	Seko et al.	5,483,346 A	1/1996	Butzer
4,716,298 A	12/1987	Etoh	5,483,453 A	1/1996	Uemura et al.
4,727,290 A	2/1988	Smith et al.	5,485,155 A	1/1996	Hibino
4,740,838 A	4/1988	Mase et al.	5,485,378 A	1/1996	Franke et al.
4,768,135 A	8/1988	Kretschmer et al.	5,488,496 A	1/1996	Pine
4,862,037 A	8/1989	Farber et al.	5,508,592 A	4/1996	Lapatovich et al.
4,891,559 A	1/1990	Matsumoto et al.	5,515,448 A	5/1996	Nishitani
4,902,108 A	2/1990	Byker	5,523,811 A	6/1996	Wada et al.
4,910,591 A	3/1990	Petrossian et al.	5,530,421 A	6/1996	Marshall et al.
4,930,742 A	6/1990	Schofield et al.	5,535,144 A	7/1996	Kise
4,934,273 A	6/1990	Endriz	5,537,003 A	7/1996	Bechtel et al.
4,967,319 A	10/1990	Seko	5,541,590 A	7/1996	Nishio
5,005,213 A	4/1991	Hanson et al.	5,541,724 A	7/1996	Hoashi
5,008,946 A	4/1991	Ando	5,550,677 A	8/1996	Schofield et al.
5,027,200 A	6/1991	Petrossian et al.	5,554,912 A	9/1996	Thayer et al.
5,036,437 A	7/1991	Macks	5,574,443 A	11/1996	Hsieh
5,052,163 A	10/1991	Czekala	5,574,463 A	11/1996	Shirai et al.
5,066,112 A	11/1991	Lynam et al.	5,576,975 A	11/1996	Sasaki et al.
5,069,535 A	12/1991	Baucke et al.	5,587,929 A	12/1996	League et al.
5,072,154 A	12/1991	Chen	5,592,146 A	1/1997	Kover, Jr. et al.
5,073,012 A	12/1991	Lynam	5,602,542 A	2/1997	Windmann et al.
5,076,673 A	12/1991	Lynam et al.	5,614,788 A	3/1997	Mullins et al.
5,086,253 A	2/1992	Lawler	5,615,023 A	3/1997	Yang
5,096,287 A	3/1992	Kakinami et al.	5,617,085 A	4/1997	Tsutsumi et al.
5,115,346 A	5/1992	Lynam	5,621,460 A	4/1997	Hatlestad et al.
5,121,200 A	6/1992	Choi et al.	5,634,709 A	6/1997	Iwama
5,124,549 A	6/1992	Michaels et al.	5,642,238 A	6/1997	Sala
5,128,799 A	7/1992	Byker	5,646,614 A	7/1997	Abersfelder et al.
5,151,824 A	9/1992	O'Farrell	5,649,756 A	7/1997	Adams et al.
5,158,638 A	10/1992	Osanami et al.	5,650,765 A	7/1997	Park
5,166,681 A	11/1992	Bottesch et al.	5,660,454 A	8/1997	Mori et al.
5,182,502 A	1/1993	Slotkowski et al.	5,666,028 A	9/1997	Bechtel et al.
5,187,383 A	2/1993	Taccetta et al.	5,670,935 A	9/1997	Schofield et al.
5,197,562 A	3/1993	Kakinami et al.	5,679,283 A	10/1997	Tonar
5,230,400 A	7/1993	Kakinami et al.	5,680,123 A	10/1997	Lee
5,235,178 A	8/1993	Hegy	5,682,267 A	10/1997	Tonar
5,243,417 A	9/1993	Pollard	5,684,473 A	11/1997	Hibino et al.
5,253,109 A	10/1993	O'Farrell et al.	5,689,370 A	11/1997	Tonar
5,278,693 A	1/1994	Theiste	5,707,129 A	1/1998	Kobayashi
5,280,380 A	1/1994	Byker	5,708,410 A	1/1998	Blank et al.
5,282,077 A	1/1994	Byker	5,708,857 A	1/1998	Ishibashi
5,289,321 A	2/1994	Secor	5,710,565 A	1/1998	Shirai et al.
5,294,376 A	3/1994	Byker	5,714,751 A	2/1998	Chen
5,296,924 A	3/1994	Blancard et al.	5,715,093 A	2/1998	Schierbeek et al.
D346,356 S	4/1994	Leu	5,729,194 A	3/1998	Spears et al.
5,304,980 A	4/1994	Maekawa	5,736,816 A	4/1998	Strenke et al.
5,329,206 A	7/1994	Slotkowski et al.	5,742,026 A	4/1998	Dickinson
5,336,448 A	8/1994	Byker	5,745,050 A	4/1998	Nakagawa
5,347,261 A	9/1994	Adell	5,751,211 A	5/1998	Shirai et al.
5,347,459 A	9/1994	Greenspan et al.	5,751,832 A	5/1998	Panter et al.
			5,754,099 A	5/1998	Nishimura et al.
			5,760,828 A	6/1998	Cortes
			5,764,139 A	6/1998	Nojima et al.
			5,767,793 A	6/1998	Agravante et al.

(56)

References Cited

U.S. PATENT DOCUMENTS

5,781,105	A	7/1998	Bitar et al.	6,130,421	A	10/2000	Bechtel
5,786,787	A	7/1998	Eriksson et al.	6,130,448	A	10/2000	Bauer et al.
5,790,298	A	8/1998	Tonar	6,132,072	A	10/2000	Turnbull
5,793,308	A	8/1998	Rosinski et al.	6,140,933	A	10/2000	Bugno
5,793,420	A	8/1998	Schmidt	6,144,158	A	11/2000	Beam
5,796,094	A	8/1998	Schofield et al.	6,151,065	A	11/2000	Steed et al.
5,798,727	A	8/1998	Shirai et al.	6,151,539	A	11/2000	Bergholz et al.
5,803,579	A	9/1998	Turnbull	6,154,149	A	11/2000	Tychkowski et al.
5,808,778	A	9/1998	Bauer et al.	6,157,294	A	12/2000	Urai et al.
5,811,888	A	9/1998	Hsieh	6,166,628	A	12/2000	Andreas
5,812,321	A	9/1998	Schierbeck et al.	6,166,698	A	12/2000	Turnbull et al.
5,818,625	A	10/1998	Forgette et al.	6,166,848	A	12/2000	Cammenga et al.
5,825,527	A	10/1998	Forgette et al.	6,167,755	B1	1/2001	Damson et al.
D400,481	S	11/1998	Stephens et al.	6,170,956	B1	1/2001	Rumsey et al.
D401,200	S	11/1998	Huang	6,172,600	B1	1/2001	Kakinami et al.
5,837,994	A	11/1998	Stam	6,172,601	B1	1/2001	Wada et al.
5,841,126	A	11/1998	Fossum et al.	6,175,300	B1	1/2001	Kendrick
5,844,505	A	12/1998	Van Ryzin	6,184,781	B1	2/2001	Ramakesavan
5,845,000	A	12/1998	Breed et al.	6,185,492	B1	2/2001	Kagawa et al.
5,850,176	A	12/1998	Kinoshita et al.	6,188,505	B1	2/2001	Lomprey
5,867,214	A	2/1999	Anderson et al.	6,191,704	B1	2/2001	Takenaga et al.
5,877,897	A	3/1999	Schofield et al.	6,193,378	B1	2/2001	Tonar et al.
5,883,739	A	3/1999	Ashihara et al.	6,193,912	B1	2/2001	Theiste
5,888,431	A	3/1999	Tonar et al.	6,195,194	B1	2/2001	Roberts et al.
5,896,119	A	4/1999	Evanicky et al.	6,200,010	B1	3/2001	Anders
5,904,729	A	5/1999	Ruzicka	6,218,934	B1	4/2001	Regan
5,905,457	A	5/1999	Rashid	6,222,177	B1	4/2001	Bechtel
D410,607	S	6/1999	Carter	6,222,447	B1	4/2001	Schofield et al.
5,912,534	A	6/1999	Benedict	6,224,716	B1	5/2001	Yoder
5,923,027	A	7/1999	Stam	6,229,435	B1	5/2001	Knapp
5,923,457	A	7/1999	Byker et al.	6,239,898	B1	5/2001	Byker
5,928,572	A	7/1999	Tonar et al.	6,239,899	B1	5/2001	DeVries et al.
5,935,613	A	8/1999	Benham et al.	6,244,716	B1	6/2001	Steenwyk
5,940,011	A	8/1999	Agravante et al.	6,246,507	B1	6/2001	Bauer
5,940,201	A	8/1999	Ash et al.	6,247,819	B1	6/2001	Turnbull
5,942,853	A	8/1999	Piscart	6,249,214	B1	6/2001	Kashiwazaki
5,949,331	A	9/1999	Schofield et al.	6,249,369	B1	6/2001	Theiste et al.
5,956,012	A	9/1999	Turnbull et al.	6,250,766	B1	6/2001	Strumolo et al.
5,956,079	A	9/1999	Ridgley	6,255,639	B1	7/2001	Stam
5,956,181	A	9/1999	Lin	6,259,475	B1	7/2001	Ramachandran et al.
5,959,555	A	9/1999	Furuta	6,262,831	B1	7/2001	Bauer
5,990,469	A	11/1999	Bechtel	6,262,832	B1	7/2001	Lomprey
5,998,617	A	12/1999	Srinivasa	6,265,968	B1	7/2001	Betzitza et al.
6,002,511	A	12/1999	Varaprasad	6,268,803	B1	7/2001	Gunderson et al.
6,008,486	A	12/1999	Stam	6,268,950	B1	7/2001	Ash
6,009,359	A	12/1999	El-Hakim et al.	6,269,308	B1	7/2001	Kodaka et al.
6,018,308	A	1/2000	Shirai	6,281,632	B1	8/2001	Stam
6,020,987	A	2/2000	Baumann	6,281,804	B1	8/2001	Haller et al.
6,023,040	A	2/2000	Zahavi	6,289,332	B2	9/2001	Menig et al.
6,023,229	A	2/2000	Bugno et al.	6,291,812	B1	9/2001	Bechtel
6,025,872	A	2/2000	Ozaki et al.	6,300,879	B1	10/2001	Regan et al.
6,037,471	A	3/2000	Srinivasa	6,304,173	B2	10/2001	Pala et al.
6,043,452	A	3/2000	Bestenlehrer	6,313,457	B1	11/2001	Bauer
6,046,766	A	4/2000	Sakata	6,313,892	B2	11/2001	Gleckman
6,049,171	A	4/2000	Stam	6,317,057	B1	11/2001	Lee
6,051,956	A	4/2000	Nakashimo	6,317,248	B1	11/2001	Agrawal et al.
6,060,989	A	5/2000	Gehlot	6,320,612	B1	11/2001	Young
6,061,002	A	5/2000	Weber et al.	6,324,295	B1	11/2001	Valery et al.
6,062,920	A	5/2000	Jordan	D451,869	S	12/2001	Knapp et al.
6,064,508	A	5/2000	Forgette et al.	6,329,925	B1	12/2001	Skiver et al.
6,064,509	A	5/2000	Tonar et al.	6,330,511	B2	12/2001	Ogura et al.
6,067,111	A	5/2000	Hahn et al.	6,335,548	B1	1/2002	Roberts
6,068,380	A	5/2000	Lynn et al.	6,335,680	B1	1/2002	Matsuoka
6,072,391	A	6/2000	Suzuki et al.	6,344,805	B1	2/2002	Yasui et al.
6,078,355	A	6/2000	Zengel	6,348,858	B2	2/2002	Weis et al.
6,084,700	A	7/2000	Knapp	6,349,782	B1	2/2002	Sekiya et al.
6,097,023	A	8/2000	Schofield et al.	6,356,206	B1	3/2002	Takenaga et al.
6,102,546	A	8/2000	Carter	6,356,376	B1	3/2002	Tonar
6,106,121	A	8/2000	Buckley et al.	6,357,883	B1	3/2002	Strumolo et al.
6,111,498	A	8/2000	Jobes et al.	6,359,274	B1	3/2002	Nixon
6,111,683	A	8/2000	Cammenga	6,363,326	B1	3/2002	Scully
6,111,684	A	8/2000	Forgette	6,369,701	B1	4/2002	Yoshida et al.
6,115,651	A	9/2000	Cruz	6,379,013	B1	4/2002	Bechtel
6,122,597	A	9/2000	Saneyoshi et al.	6,392,783	B1	5/2002	Lomprey
6,128,576	A	10/2000	Nishimoto et al.	6,396,040	B1	5/2002	Hill
				6,396,397	B1	5/2002	Bos et al.
				6,402,328	B1	6/2002	Bechtel
				6,403,942	B1	6/2002	Stam
				6,407,468	B1	6/2002	LeVesque et al.

(56)

References Cited

U.S. PATENT DOCUMENTS

6,407,847	B1	6/2002	Poll et al.	6,618,672	B2	9/2003	Sasaki et al.
6,408,247	B1	6/2002	Ichikawa et al.	6,630,888	B2	10/2003	Lang et al.
6,412,959	B1	7/2002	Tseng	6,631,316	B2	10/2003	Stam et al.
6,415,230	B1	7/2002	Maruko et al.	6,635,194	B2	10/2003	Kloepfner
6,420,800	B1	7/2002	LeVesque	6,636,258	B2	10/2003	Strumolo
6,421,081	B1	7/2002	Markus	6,642,840	B2	11/2003	Lang et al.
6,424,272	B1	7/2002	Gutta et al.	6,642,851	B2	11/2003	DeLine et al.
6,424,273	B1	7/2002	Gutta et al.	6,648,477	B2	11/2003	Hutzel et al.
6,424,892	B1	7/2002	Matsuoka	6,650,457	B2	11/2003	Busscher et al.
6,426,485	B1	7/2002	Bulgajewski	6,657,767	B2	12/2003	Bonardi
6,428,172	B1	8/2002	Hutzel et al.	6,665,592	B2	12/2003	Kodama
6,429,594	B1	8/2002	Stam	6,670,207	B1	12/2003	Roberts
6,433,680	B1	8/2002	Ho	6,670,910	B2	12/2003	Delcheccolo et al.
6,437,688	B1	8/2002	Kobayashi	6,674,370	B2	1/2004	Rodewald et al.
6,438,491	B1	8/2002	Farmer	6,675,075	B1	1/2004	Engelsberg et al.
6,441,872	B1	8/2002	Ho	6,677,986	B1	1/2004	Pöschmüller
6,441,943	B1	8/2002	Roberts	6,683,539	B2	1/2004	Trajkovic et al.
6,442,465	B2	8/2002	Breed et al.	6,683,969	B1	1/2004	Nishigaki et al.
6,443,585	B1	9/2002	Saccomanno	6,690,268	B2	2/2004	Schofield et al.
6,443,602	B1	9/2002	Tanabe et al.	6,690,413	B1	2/2004	Moore
6,447,128	B1	9/2002	Lang et al.	6,693,517	B2	2/2004	McCarty et al.
6,452,533	B1	9/2002	Yamabuchi et al.	6,693,518	B2	2/2004	Kumata
6,463,369	B2	10/2002	Sadano et al.	6,693,519	B2	2/2004	Keirstead
6,465,962	B1	10/2002	Fu et al.	6,693,524	B1	2/2004	Payne
6,465,963	B1	10/2002	Turnbull	6,700,692	B2	3/2004	Tonar
6,466,701	B1	10/2002	Ejiri et al.	6,717,610	B1	4/2004	Bos et al.
6,469,739	B1	10/2002	Bechtel	6,727,808	B1	4/2004	Uselmann et al.
6,471,362	B1	10/2002	Carter	6,727,844	B1	4/2004	Zimmermann et al.
6,472,977	B1	10/2002	Pochmuller	6,731,332	B1	5/2004	Yasui et al.
6,473,001	B1	10/2002	Blum	6,734,807	B2	5/2004	King
6,476,731	B1	11/2002	Miki et al.	6,737,964	B2	5/2004	Samman et al.
6,476,855	B1	11/2002	Yamamoto	6,738,088	B1	5/2004	Uskolovsky et al.
6,483,429	B1	11/2002	Yasui et al.	6,744,353	B2	6/2004	Sjonell
6,483,438	B2	11/2002	DeLine et al.	6,746,122	B2	6/2004	Knox
6,487,500	B2	11/2002	Lemelson et al.	D493,131	S	7/2004	Lawlor et al.
6,491,416	B1	12/2002	Strazzanti	D493,394	S	7/2004	Lawlor et al.
6,498,620	B2	12/2002	Schofield et al.	6,768,566	B2	7/2004	Walker
6,501,387	B2	12/2002	Skiver et al.	6,772,057	B2	8/2004	Breed et al.
6,504,142	B2	1/2003	Nixon	6,774,988	B2	8/2004	Stam
6,507,779	B2	1/2003	Breed et al.	6,781,738	B2	8/2004	Kikuchi et al.
6,512,624	B2	1/2003	Tonar	D498,446	S	11/2004	Bradley
6,515,581	B1	2/2003	Ho	6,816,145	B1	11/2004	Evanicky
6,515,597	B1	2/2003	Wada et al.	6,816,297	B1	11/2004	Tonar
6,520,667	B1	2/2003	Mousseau	D499,678	S	12/2004	Bradley
6,521,916	B2	2/2003	Roberts	6,846,098	B2	1/2005	Bourdelaïs et al.
6,522,969	B2	2/2003	Kannonji	6,847,487	B2	1/2005	Burgner
6,523,976	B1	2/2003	Turnbull	6,853,413	B2	2/2005	Larson
D471,847	S	3/2003	Rumsey et al.	6,861,809	B2	3/2005	Stam
6,535,126	B2	3/2003	Lin et al.	6,870,656	B2	3/2005	Tonar et al.
6,542,085	B1	4/2003	Yang	6,902,284	B2	6/2005	Hutzel et al.
6,542,182	B1	4/2003	Chutorash	6,902,307	B2	6/2005	Strazzanti
6,545,598	B1	4/2003	de Villeroche	6,912,001	B2	6/2005	Okamoto et al.
6,545,794	B2	4/2003	Ash	6,913,375	B2	7/2005	Strazzanti
6,550,943	B2	4/2003	Strazzanti	6,923,080	B1	8/2005	Dobler et al.
6,553,130	B1	4/2003	Lemelson et al.	6,930,737	B2	8/2005	Weindorf et al.
6,558,026	B2	5/2003	Strazzanti	6,934,080	B2	8/2005	Saccomanno et al.
6,559,761	B1	5/2003	Miller et al.	6,946,978	B2	9/2005	Schofield
6,572,233	B1	6/2003	Northman et al.	6,968,273	B2	11/2005	Ockerse
6,575,643	B2	6/2003	Takahashi	7,012,543	B2	3/2006	DeLine et al.
6,580,373	B1	6/2003	Ohashi	7,038,577	B2	5/2006	Pawlicki et al.
6,581,007	B2	6/2003	Hasegawa et al.	7,042,616	B2	5/2006	Tonar et al.
6,583,730	B2	6/2003	Lang et al.	7,046,448	B2	5/2006	Burgner
6,587,573	B1	7/2003	Stam	7,064,882	B2	6/2006	Tonar
6,591,192	B2	7/2003	Okamura et al.	7,175,291	B1	2/2007	Li
6,594,583	B2	7/2003	Ogura et al.	7,255,465	B2	8/2007	DeLine et al.
6,594,614	B2	7/2003	Studt et al.	7,262,406	B2	8/2007	Heslin et al.
6,606,183	B2	8/2003	Ikai et al.	7,265,342	B2	9/2007	Heslin et al.
6,611,202	B2	8/2003	Schofield et al.	D553,061	S	10/2007	Schmidt et al.
6,611,227	B1	8/2003	Nebiyeloul-Kifle	7,285,903	B2	10/2007	Cull et al.
6,611,610	B1	8/2003	Stam et al.	7,287,868	B2	10/2007	Carter
6,611,759	B2	8/2003	Brosche	D556,105	S	11/2007	Carter et al.
6,614,387	B1	9/2003	Deadman	D556,106	S	11/2007	Carter et al.
6,614,579	B2	9/2003	Roberts et al.	7,292,208	B1	11/2007	Park et al.
6,616,764	B2	9/2003	Kramer et al.	7,311,428	B2	12/2007	DeLine et al.
6,617,564	B2	9/2003	Ockerse et al.	7,321,112	B2	1/2008	Stam et al.
				7,324,261	B2	1/2008	Tonar et al.
				7,342,707	B2	3/2008	Roberts
				7,360,932	B2	4/2008	Uken et al.
				D575,708	S *	8/2008	Courbon D12/187

(56)

References Cited

U.S. PATENT DOCUMENTS							
7,417,221	B2	8/2008	Creswick et al.	2001/0026316	A1	10/2001	Senatore
7,417,717	B2	8/2008	Pack	2001/0045981	A1	11/2001	Gloger et al.
7,446,650	B2	11/2008	Schofield et al.	2002/0040962	A1	4/2002	Schofield et al.
7,467,883	B2	12/2008	DeLine et al.	2002/0044065	A1	4/2002	Quist et al.
7,468,651	B2	12/2008	DeLine et al.	2002/0191127	A1	12/2002	Roberts et al.
7,505,047	B2	3/2009	Yoshimura	2003/0002165	A1	1/2003	Mathias et al.
7,533,998	B2	5/2009	Schofield et al.	2003/0007261	A1	1/2003	Hutzel et al.
7,548,291	B2	6/2009	Lee et al.	2003/0016125	A1	1/2003	Lang et al.
7,565,006	B2	7/2009	Stam et al.	2003/0016287	A1	1/2003	Nakayama et al.
7,567,291	B2	7/2009	Bechtel et al.	2003/0025596	A1	2/2003	Lang et al.
7,579,940	B2	8/2009	Schofield et al.	2003/0025597	A1	2/2003	Schofield
7,592,563	B2	9/2009	Wissenbach	2003/0030546	A1	2/2003	Tseng
7,619,508	B2	11/2009	Lynam et al.	2003/0030551	A1	2/2003	Ho
7,653,215	B2	1/2010	Stam	2003/0030724	A1	2/2003	Okamoto
D610,060	S *	2/2010	Meier D12/187	2003/0035050	A1	2/2003	Mizusawa
7,658,521	B2	2/2010	DeLine et al.	2003/0043269	A1	3/2003	Park
7,663,798	B2	2/2010	Tonar	2003/0052969	A1	3/2003	Satoh et al.
7,683,326	B2	3/2010	Stam et al.	2003/0058338	A1	3/2003	Kawauchi et al.
7,688,495	B2	3/2010	Tonar et al.	2003/0067383	A1	4/2003	Yang
7,706,046	B2	4/2010	Bauer et al.	2003/0076415	A1	4/2003	Strumolo
7,711,479	B2	5/2010	Taylor et al.	2003/0080877	A1	5/2003	Takagi et al.
7,719,408	B2	5/2010	DeWard et al.	2003/0085806	A1	5/2003	Samman et al.
7,720,580	B2	5/2010	Higgins-Luthman	2003/0088361	A1	5/2003	Sekiguchi
7,746,534	B2	6/2010	Tonar et al.	2003/0090568	A1	5/2003	Pico
7,815,326	B2	10/2010	Blank et al.	2003/0090569	A1	5/2003	Poechmueller
7,817,020	B2	10/2010	Turnbull et al.	2003/0090570	A1	5/2003	Takagi et al.
7,821,696	B2	10/2010	Tonar et al.	2003/0098908	A1	5/2003	Misaiji et al.
7,830,583	B2	11/2010	Neuman et al.	2003/0103141	A1	6/2003	Bechtel et al.
7,864,399	B2	1/2011	McCabe et al.	2003/0103142	A1	6/2003	Hitomi et al.
7,877,175	B2	1/2011	Higgins-Luthman	2003/0117522	A1	6/2003	Okada
7,881,496	B2	2/2011	Camilleri et al.	2003/0122929	A1	7/2003	Minaudo et al.
7,881,839	B2	2/2011	Stam et al.	2003/0122930	A1	7/2003	Schofield et al.
7,888,629	B2	2/2011	Heslin et al.	2003/0133014	A1	7/2003	Mendoza
7,914,188	B2	3/2011	DeLine et al.	2003/0137586	A1	7/2003	Lewellen
7,972,045	B2	7/2011	Schofield	2003/0141965	A1	7/2003	Gunderson et al.
7,978,393	B2	7/2011	Tonar et al.	2003/0146831	A1	8/2003	Berberich et al.
7,994,471	B2	8/2011	Heslin et al.	2003/0169158	A1	9/2003	Paul, Jr.
8,031,225	B2	10/2011	Watanabe et al.	2003/0179293	A1	9/2003	Oizumi
8,035,881	B2	10/2011	Luten et al.	2003/0202096	A1	10/2003	Kim
8,045,760	B2	10/2011	Stam et al.	2003/0202357	A1	10/2003	Strazzanti
8,059,235	B2	11/2011	Utsumi et al.	2003/0214576	A1	11/2003	Koga
8,063,753	B2	11/2011	DeLine et al.	2003/0214584	A1	11/2003	Ross, Jr.
8,090,153	B2	1/2012	Schofield et al.	2003/0214733	A1	11/2003	Fujikawa et al.
8,095,310	B2	1/2012	Taylor et al.	2003/0222793	A1	12/2003	Tanaka et al.
8,100,568	B2	1/2012	DeLine et al.	2003/0222983	A1	12/2003	Nobori et al.
8,116,929	B2	2/2012	Higgins-Luthman	2003/0227546	A1	12/2003	Hilborn et al.
8,120,652	B2	2/2012	Bechtel et al.	2004/0004541	A1	1/2004	Hong
8,142,059	B2	3/2012	Higgins-Luthman et al.	2004/0027695	A1	2/2004	Lin
8,162,518	B2	4/2012	Schofield	2004/0032321	A1	2/2004	McMahon et al.
D659,617	S	5/2012	Brockington et al.	2004/0036768	A1	2/2004	Green
8,194,133	B2	6/2012	DeWind et al.	2004/0051634	A1	3/2004	Schofield et al.
8,201,800	B2	6/2012	Filipiak	2004/0056955	A1	3/2004	Berberich et al.
8,203,433	B2	6/2012	Deuber et al.	2004/0057131	A1	3/2004	Hutzel et al.
8,217,830	B2	7/2012	Lynam	2004/0064241	A1	4/2004	Sekiguchi
8,222,588	B2	7/2012	Schofield et al.	2004/0066285	A1	4/2004	Sekiguchi
8,237,909	B2	8/2012	Ostreko et al.	2004/0075603	A1	4/2004	Kodama
8,258,433	B2	9/2012	Byers et al.	2004/0080404	A1	4/2004	White
8,282,226	B2	10/2012	Blank et al.	2004/0080431	A1	4/2004	White
8,325,028	B2	12/2012	Schofield et al.	2004/0085196	A1	5/2004	Milel et al.
D686,126	S *	7/2013	Balicki D12/187	2004/0090314	A1	5/2004	Iwamoto
8,482,683	B2	7/2013	Hwang et al.	2004/0090317	A1	5/2004	Rothkop
8,520,069	B2	8/2013	Haler	2004/0096082	A1	5/2004	Nakai et al.
8,564,662	B2	10/2013	Busch et al.	2004/0098196	A1	5/2004	Sekiguchi
8,779,910	B2	7/2014	DeLine et al.	2004/0107030	A1	6/2004	Nishira et al.
D712,325	S	9/2014	Bohanan et al.	2004/0107617	A1	6/2004	Shoen et al.
D717,704	S *	11/2014	Petroff D12/187	2004/0109060	A1	6/2004	Ishii
D724,508	S	3/2015	Bohanan et al.	2004/0114039	A1	6/2004	Ishikura
D724,509	S	3/2015	Bohanan et al.	2004/0119668	A1	6/2004	Homma et al.
D761,171	S *	7/2016	Roth D12/187	2004/0125905	A1	7/2004	Vlasenko et al.
D761,174	S *	7/2016	Hamlin D12/187	2004/0202001	A1	10/2004	Roberts et al.
D761,708	S *	7/2016	Hamlin D12/187	2005/0140855	A1	6/2005	Utsumi
D763,150	S *	8/2016	Kratzer D12/187	2005/0237440	A1	10/2005	Sugimura et al.
D763,756	S *	8/2016	Enz D12/187	2006/0007550	A1	1/2006	Tonar et al.
2001/0019356	A1	9/2001	Takeda et al.	2006/0115759	A1	6/2006	Kim et al.
2001/0022616	A1	9/2001	Rademacher et al.	2006/0139953	A1	6/2006	Chou et al.
				2006/0158899	A1	7/2006	Ayabe et al.
				2007/0146481	A1	6/2007	Chen et al.
				2007/0171037	A1	7/2007	Schofield et al.
				2008/0068520	A1	3/2008	Miniky, Jr. et al.

(56)

References Cited

U.S. PATENT DOCUMENTS

2008/0192132	A1	8/2008	Bechtel et al.
2008/0247192	A1	10/2008	Hoshi et al.
2008/0294315	A1	11/2008	Breed
2008/0302657	A1	12/2008	Luten et al.
2009/0015736	A1	1/2009	Weller et al.
2009/0141516	A1	6/2009	Wu et al.
2009/0296190	A1	12/2009	Anderson et al.
2010/0110553	A1	5/2010	Anderson et al.
2010/0201896	A1	8/2010	Ostreko et al.
2010/0277786	A1	11/2010	Anderson et al.
2011/0168687	A1	7/2011	Door
2011/0176323	A1	7/2011	Skiver et al.
2011/0181727	A1	7/2011	Weller et al.
2012/0038964	A1	2/2012	De Wind et al.
2012/0069444	A1	3/2012	Campbell et al.
2012/0229882	A1	9/2012	Fish, Jr. et al.
2012/0236388	A1	9/2012	De Wind et al.
2013/0028473	A1	1/2013	Hilldore et al.
2013/0279014	A1	10/2013	Fish, Jr. et al.
2014/0022390	A1	1/2014	Blank et al.
2014/0043479	A1	2/2014	Busch et al.
2014/0192431	A1	7/2014	Sloterbeek et al.
2014/0347488	A1	11/2014	Tazaki et al.

FOREIGN PATENT DOCUMENTS

EP	0899157	A1	3/1999
EP	0899157	B1	10/2004
GB	2338363		12/1999
JP	1178693		3/1999
JP	2002096685	A	4/2002
JP	2002200936	A	7/2002
JP	2005148119		6/2005
JP	2005327600		11/2005
JP	2008139819	A	6/2008
JP	2009542505	A	12/2009
JP	2013244753	A	12/2013
WO	9621581		7/1996
WO	2007103573	A2	9/2007
WO	2010090964		8/2010

OTHER PUBLICATIONS

Adler, "A New Automotive AMLCD Module," Proceedings of the Vehicle Display Symposium, Nov. 2, 1995, pp. 67-71, Society for Information Display, Detroit Chapter, Santa Ana, CA.

Sayer, et al., "In-Vehicle Displays for Crash Avoidance and Navigation Systems," Proceedings of the Vehicle Display Symposium, Sep. 18, 1996, pp. 39-42, Society for Information Display, Detroit Chapter, Santa Ana, CA.

Knoll, et al., "Application of Graphic Displays in Automobiles," SID 87 Digest, 1987, pp. 41-44, 5A.2.

Terada, et al., "Development of Central Information Display of Automotive Application," SID 89 Digest, 1989, pp. 192-195, Society for Information Display, Detroit Center, Santa Ana, CA.

Thomsen, et al., "AMLCD Design Considerations for Avionics and Vetrronics Applications," Proceedings of the 5th Annual Flat Panel Display Strategic and Technical Symposium, Sep. 9-10, 1998, pp. 139-145, Society for Information Display, Metropolitan Detroit Chapter, CA.

Knoll, et al., "Conception of an Integrated Driver Information System," SID International Symposium Digest of Technical Papers, 1990, pp. 126-129, Society for Information Display, Detroit Center, Santa Ana, CA.

Vincen, "An Analysis of Direct-View FPDs for Automotive Multi-Media Applications," Proceedings of the 6th Annual Strategic and Technical Symposium "Vehicular Applications of Displays and Microsensors," Sep. 22-23, 1999, pp. 39-46, Society for Information Display, Metropolitan Detroit Chapter, San Jose, CA.

Zuk, et al., "Flat Panel Display Applications in Agriculture Equipment," Proceedings of the 5th Annual Flat Panel Display Strategic and Technical Symposium, Sep. 9-10, 1998, pp. 125-130, Society for Information Display, Metropolitan Detroit Chapter, CA.

Vijan, et al., "A 1.7-Mpixel Full-Color Diode Driven AM-LCD," SID International Symposium, 1990, pp. 530-533, Society for Information Display, Playa del Rey, CA.

Vincen, "The Automotive Challenge to Active Matrix LCD Technology," Proceedings of the Vehicle Display Symposium, 1996, pp. 17-21, Society for Information Display, Detroit Center, Santa Ana, CA.

Corsi, et al., "Reconfigurable Displays Used as Primary Automotive Instrumentation," SAE Technical Paper Series, 1989, pp. 13-18, Society of Automotive Engineers, Inc., Warrendale, PA.

Schumacher, "Automotive Display Trends," SID 96 Digest, 1997, pp. 1-6, Delco Electronics Corp., Kokomo, IN.

Knoll, "The Use of Displays in Automotive Applications," Journal of the SID 5/3 1997, pp. 165-172, 315-316, Stuttgart, Germany.

Donofrio, "Looking Beyond the Dashboard," SID 2002, pp. 30-34, Ann Arbor, MI.

Stone, "Automotive Display Specification," Proceedings of the Vehicle Display Symposium, 1995, pp. 93-96, Society for Information Display, Detroit Center, Santa Ana, CA.

* cited by examiner

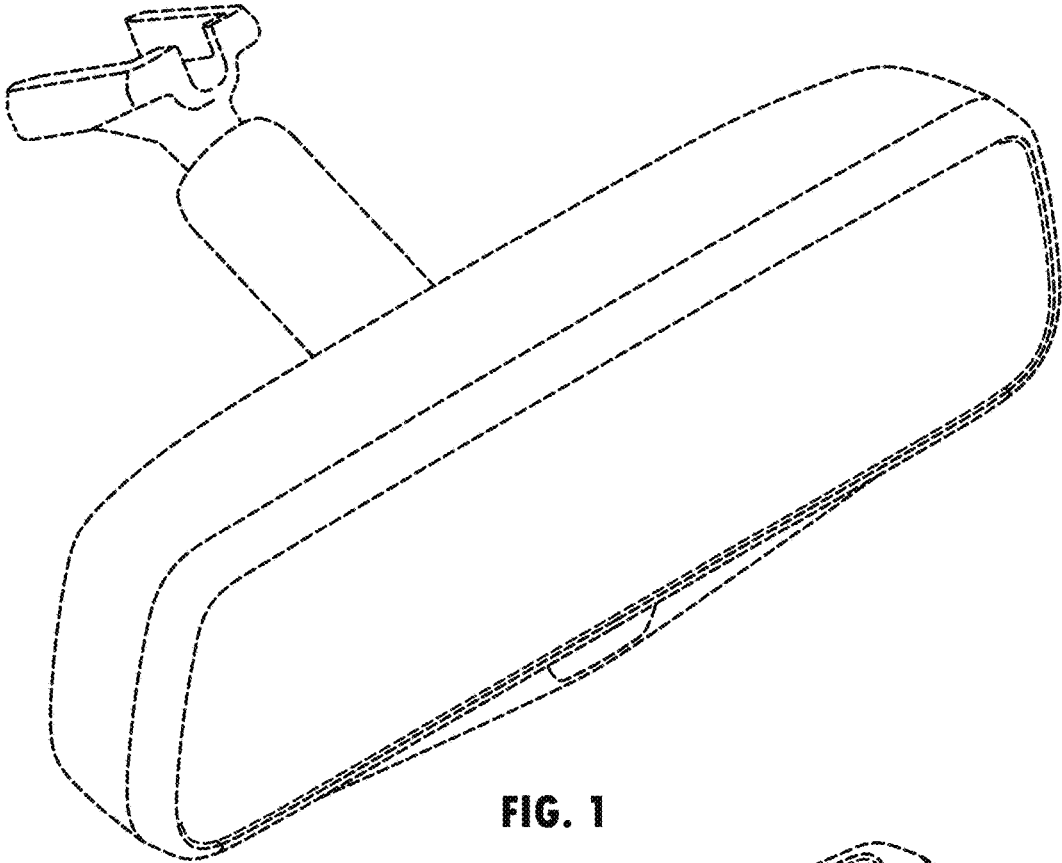


FIG. 1

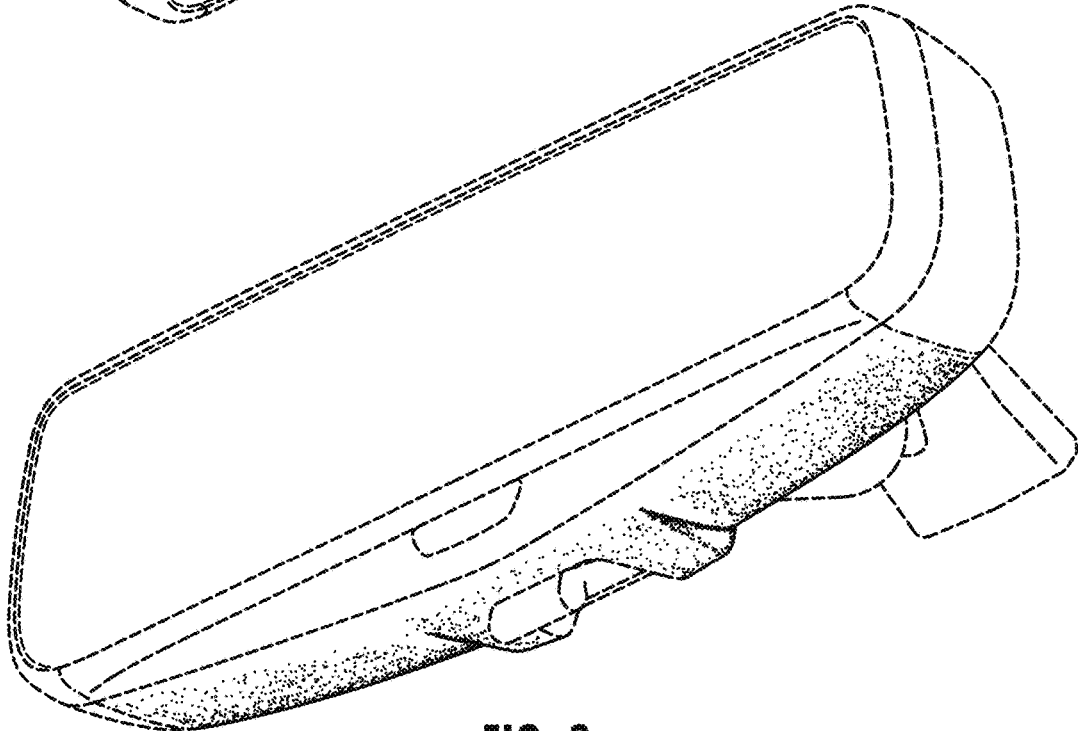


FIG. 2

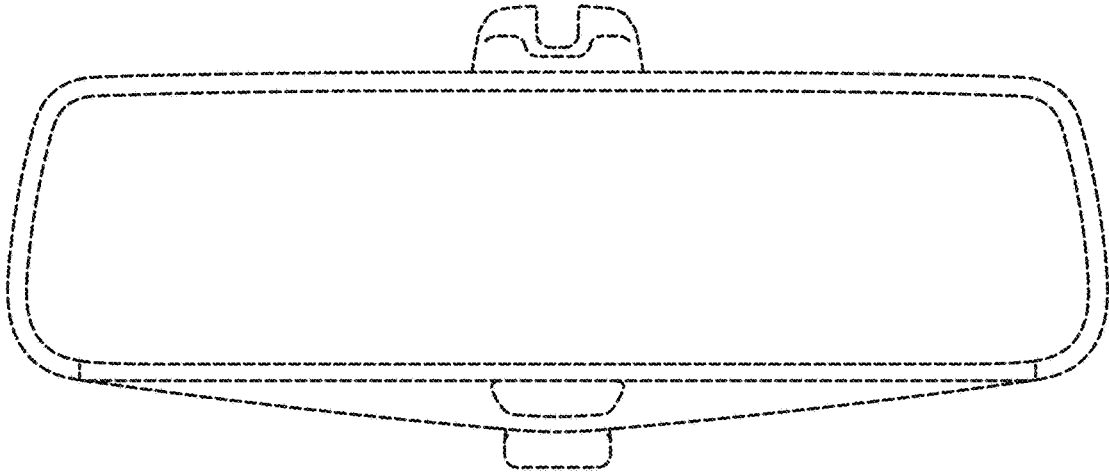


FIG. 3

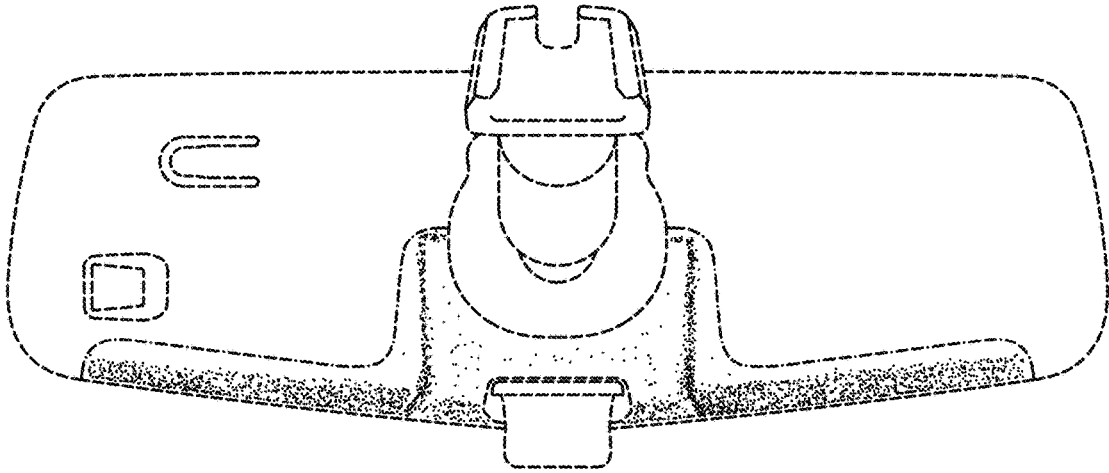


FIG. 4

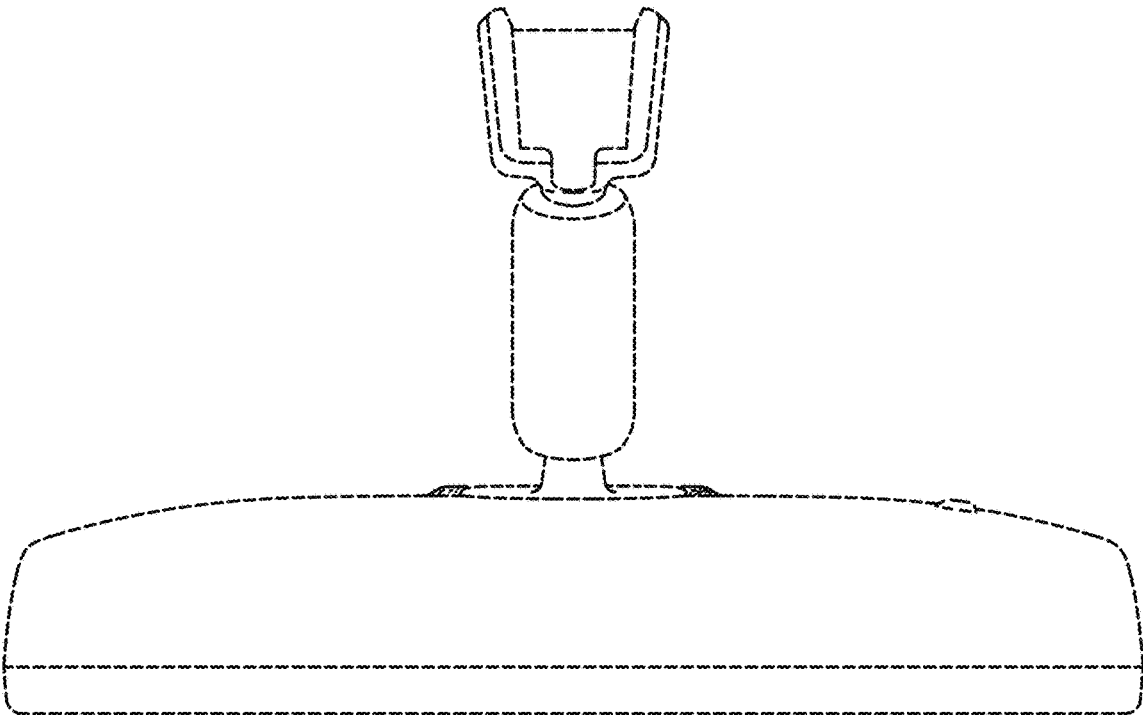


FIG. 5

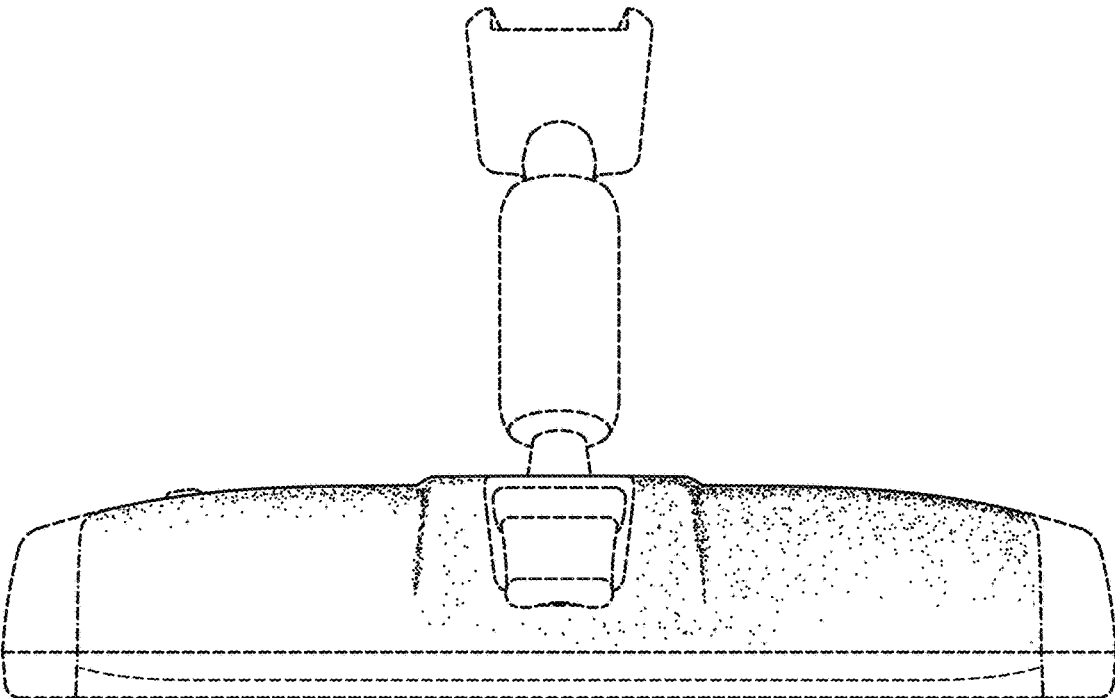


FIG. 6

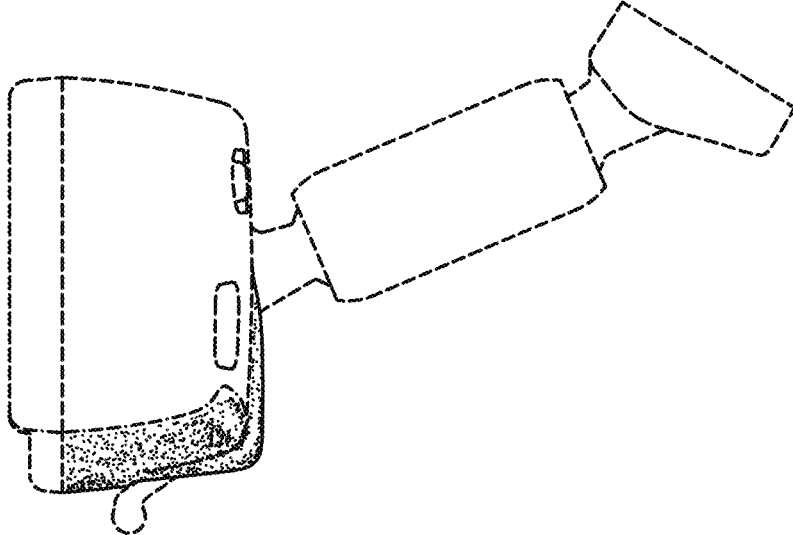


FIG. 7

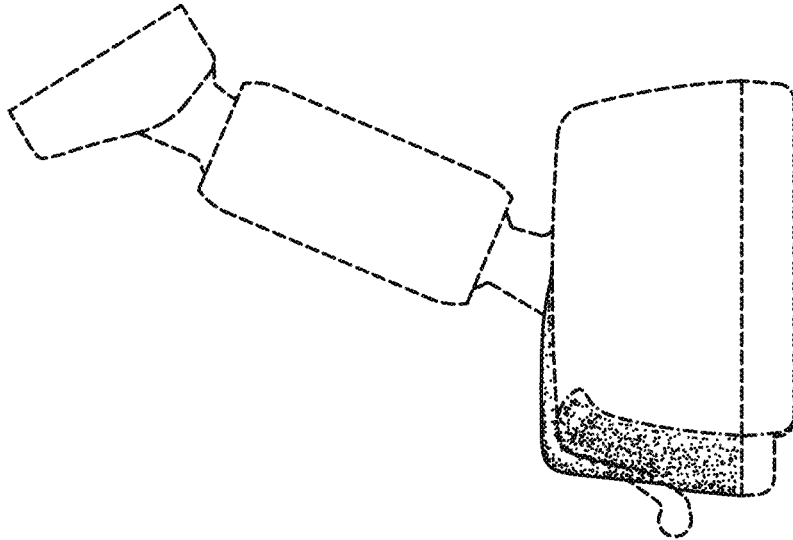


FIG. 8