



US00D747112S

(12) **United States Design Patent**
Weidner

(10) **Patent No.:** **US D747,112 S**

(45) **Date of Patent:** **** Jan. 12, 2016**

- (54) **INVENTORY MANAGEMENT DEVICE**
- (71) Applicant: **Christian D. Weidner**, Minnetonka, MN (US)
- (72) Inventor: **Christian D. Weidner**, Minnetonka, MN (US)

5,078,297 A 1/1992 Howard et al.
 D326,356 S 5/1992 Egly
 D327,980 S 7/1992 Egly
 5,158,175 A 10/1992 Crawford
 D344,406 S 2/1994 Nemeth

(Continued)

FOREIGN PATENT DOCUMENTS

DE 10 2012 221 088 5/2013
 GB 2 241 878 9/1991

(Continued)

Primary Examiner — Kelley Donnelly

(74) *Attorney, Agent, or Firm* — Merchant & Gould P.C.

- (**) Term: **14 Years**
- (21) Appl. No.: **29/504,713**

(22) Filed: **Oct. 8, 2014**

(51) **LOC (10) Cl.** **06-06**

(52) **U.S. Cl.**
USPC **D6/312**

(58) **Field of Classification Search**
 USPC D3/304–315; D6/300, 301, 310, 311,
 D6/312, 313, 314
 CPC . A47B 23/042; A47B 2023/049; A47B 97/02
 See application file for complete search history.

(57) **CLAIM**

The ornamental design for an inventory management device, as shown and described.

DESCRIPTION

FIG. 1 is a top perspective view of an inventory management device;

FIG. 2 is a front elevation view thereof;

FIG. 3 is a rear elevation view thereof;

FIG. 4 is a right side elevation view thereof;

FIG. 5 is a left side elevation view thereof;

FIG. 6 is a top plan view thereof;

FIG. 7 is a bottom plan view thereof;

FIG. 8 is a top perspective view thereof;

FIG. 9 is a top perspective view thereof in a container shown in an upright position;

FIG. 10 is a top perspective view thereof shown in a down configuration;

FIG. 11 is a top perspective view thereof shown in an upright configuration; and,

FIG. 12 is a top perspective view thereof shown in a down configuration.

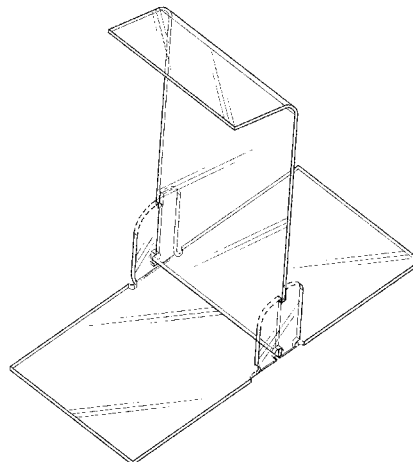
The broken line disclosure of the container is for illustrative purposes only and forms no part of the claimed invention.

(56) **References Cited**

U.S. PATENT DOCUMENTS

1,698,946 A	8/1926	Edgren	
2,747,959 A	5/1956	Ingelson	
2,884,139 A	4/1959	Dunham	
3,308,964 A	3/1967	Pistone	
4,117,931 A	10/1978	Berkman	
4,127,304 A	11/1978	Gardner	
4,154,356 A	5/1979	Schieve	
4,164,309 A	8/1979	Staats	
D258,027 S	1/1981	Rache et al.	
D267,911 S	2/1983	Long et al.	
D284,204 S	6/1986	Kirchner	
D287,068 S	12/1986	Long et al.	
D287,425 S	12/1986	Kirchner	
D287,544 S	1/1987	Long et al.	
D287,545 S	1/1987	Long et al.	
D287,666 S	1/1987	Long et al.	
4,834,334 A *	5/1989	Robins	248/441.1
D303,873 S	10/1989	Brüssing	
D307,075 S	4/1990	Pollack	
D312,839 S	12/1990	Nemeth	

1 Claim, 12 Drawing Sheets



(56)

References Cited

U.S. PATENT DOCUMENTS

5,314,081 A 5/1994 Carroll
 D347,959 S 6/1994 Sankey
 D348,584 S 7/1994 Sankey
 D354,520 S * 1/1995 Pong D19/88
 D357,844 S 5/1995 Ho
 D358,090 S 5/1995 Morikawa
 D380,639 S 7/1997 Tisbo
 D383,491 S * 9/1997 Chang D19/20
 D409,664 S * 5/1999 Perrin et al. D19/90
 D416,284 S * 11/1999 O'Malley D19/20
 D484,542 S * 12/2003 Hassell D19/75
 6,695,419 B2 2/2004 Searer et al.
 6,871,921 B2 3/2005 Ernst
 6,961,285 B2 11/2005 Niemiec et al.
 D517,328 S * 3/2006 Thrall D6/300
 D521,562 S * 5/2006 Richter D19/91
 7,356,952 B2 4/2008 Sweeney et al.
 D581,681 S * 12/2008 Goolrick D6/314
 7,458,336 B2 12/2008 Eu
 D590,404 S * 4/2009 Kim et al. D14/447
 D600,916 S * 9/2009 Schäfer D3/304
 D601,835 S 10/2009 Du Toit
 7,597,448 B1 10/2009 Zarian
 D619,832 S 7/2010 Zalewski et al.
 7,857,127 B2 12/2010 Lau
 D632,122 S * 2/2011 Foster D6/635
 7,883,019 B2 2/2011 Kang et al.
 7,913,649 B2 * 3/2011 LeCavalier et al. 119/165
 7,992,332 B2 8/2011 Lowenthal et al.
 D648,430 S 11/2011 Short et al.
 8,079,478 B2 12/2011 Short et al.
 8,127,477 B2 3/2012 Lowenthal et al.
 8,161,910 B2 4/2012 Coiro, Sr. et al.
 8,174,393 B2 5/2012 Lamp
 8,182,303 B2 5/2012 Ray et al.
 8,183,772 B2 5/2012 Ray et al.

8,210,622 B2 7/2012 Forrest et al.
 8,384,630 B2 2/2013 Ray et al.
 8,388,025 B2 3/2013 Mrocki et al.
 8,390,452 B2 3/2013 Blake et al.
 8,395,509 B2 3/2013 Lamp
 8,395,568 B2 3/2013 Ray et al.
 8,413,359 B2 4/2013 Lowenthal et al.
 8,415,879 B2 4/2013 Lowenthal et al.
 D684,630 S * 6/2013 Pham D19/91
 8,456,392 B2 6/2013 Ray et al.
 8,456,393 B2 6/2013 Ray et al.
 8,657,132 B2 2/2014 Benz et al.
 D712,475 S * 9/2014 Scott D19/90
 2006/0174523 A1 8/2006 Butler et al.
 2006/0283819 A1 12/2006 Larsen et al.
 2007/0022644 A1 2/2007 Lynch et al.
 2007/0119807 A1 5/2007 Benz et al.
 2007/0170267 A1 7/2007 Kang et al.
 2007/0273258 A1 11/2007 Ernst
 2009/0045708 A1 2/2009 Dominique
 2009/0164042 A1 6/2009 Handfield et al.
 2010/0127965 A1 5/2010 Park
 2010/0231099 A1 9/2010 Forrest et al.
 2011/0089060 A1 4/2011 Peyser
 2011/0164765 A1 7/2011 Korte et al.
 2011/0309044 A1 12/2011 Morrow
 2012/0169230 A1 7/2012 Lowenthal et al.
 2012/0319550 A1 12/2012 Manniso et al.
 2013/0112801 A1 5/2013 Kling et al.
 2014/0123525 A1 5/2014 Payne
 2014/0173957 A1 6/2014 Shamp et al.

FOREIGN PATENT DOCUMENTS

WO WO 94/01349 1/1994
 WO WO 2007/081947 7/2007
 WO WO 2012/174321 12/2012

* cited by examiner

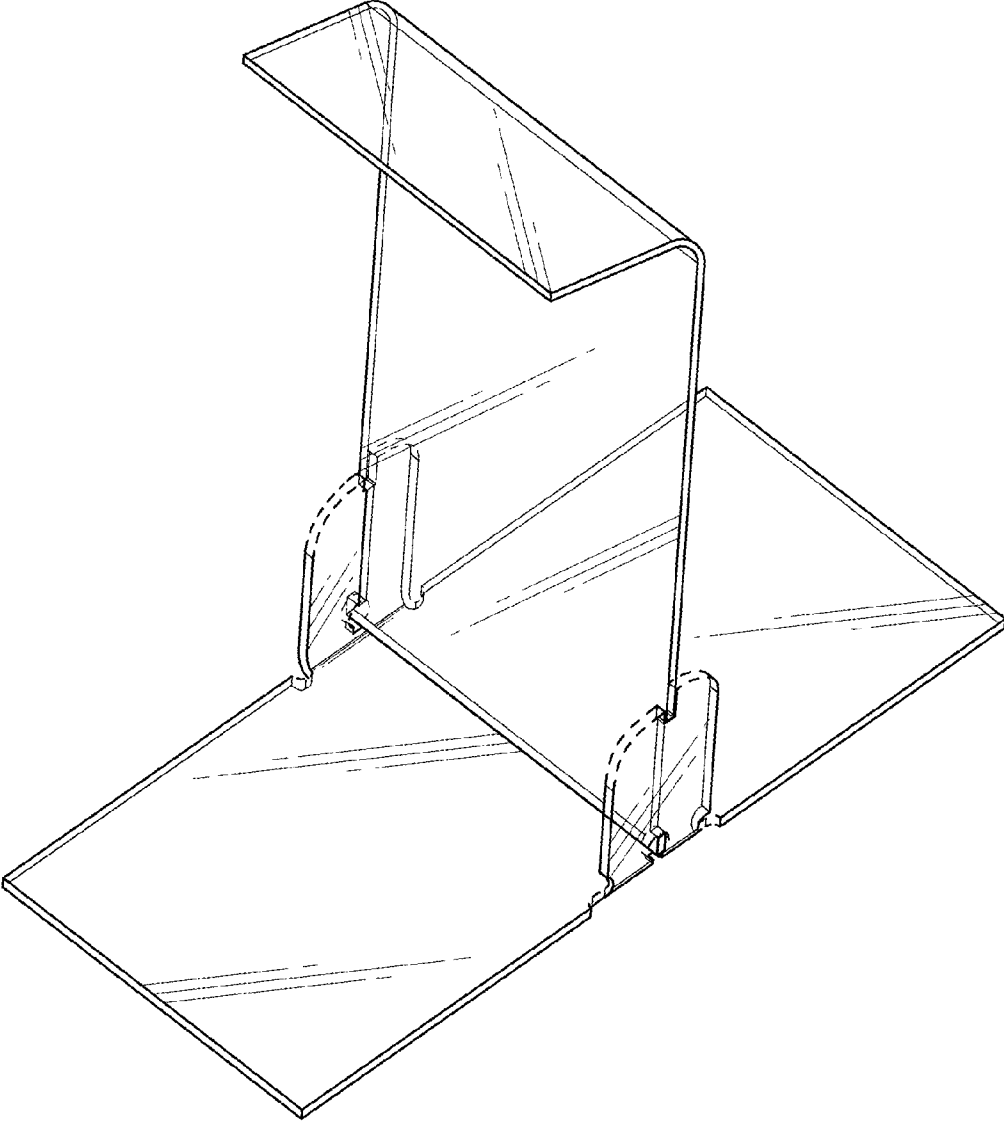


FIG. 1

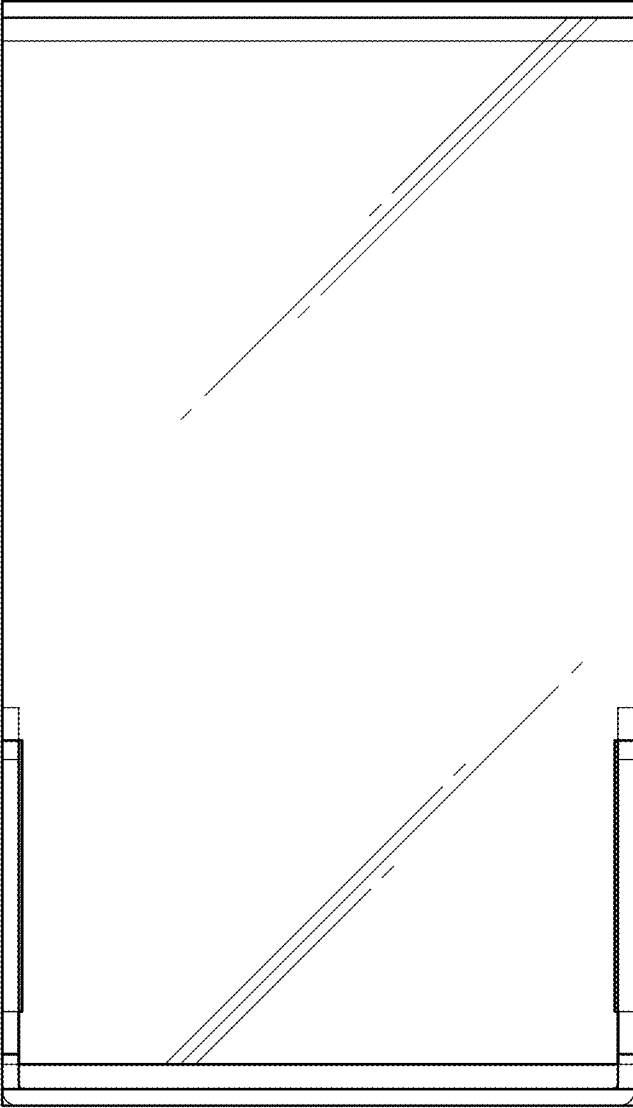


FIG. 2

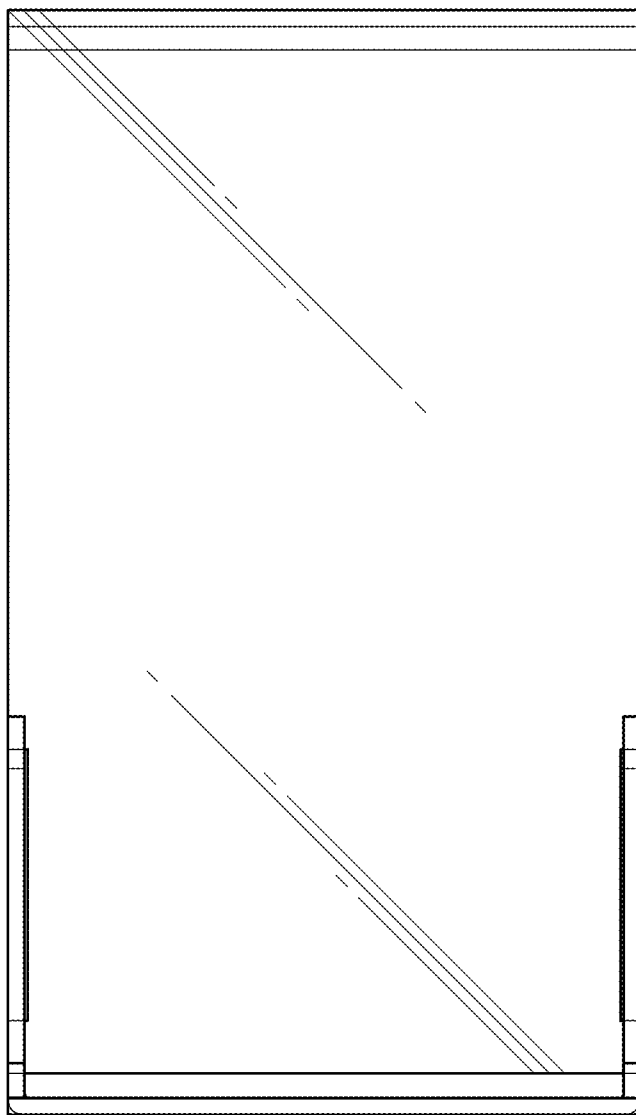


FIG. 3

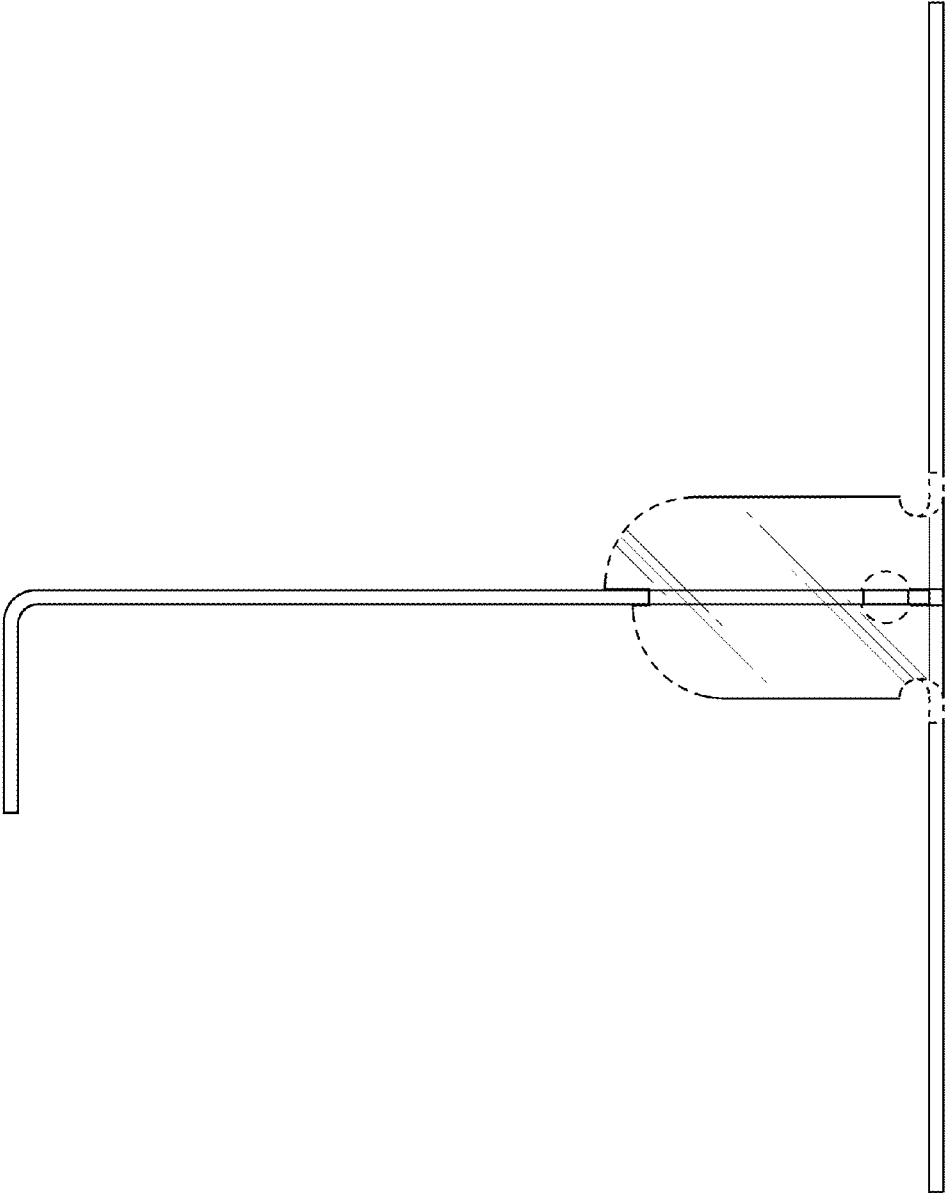
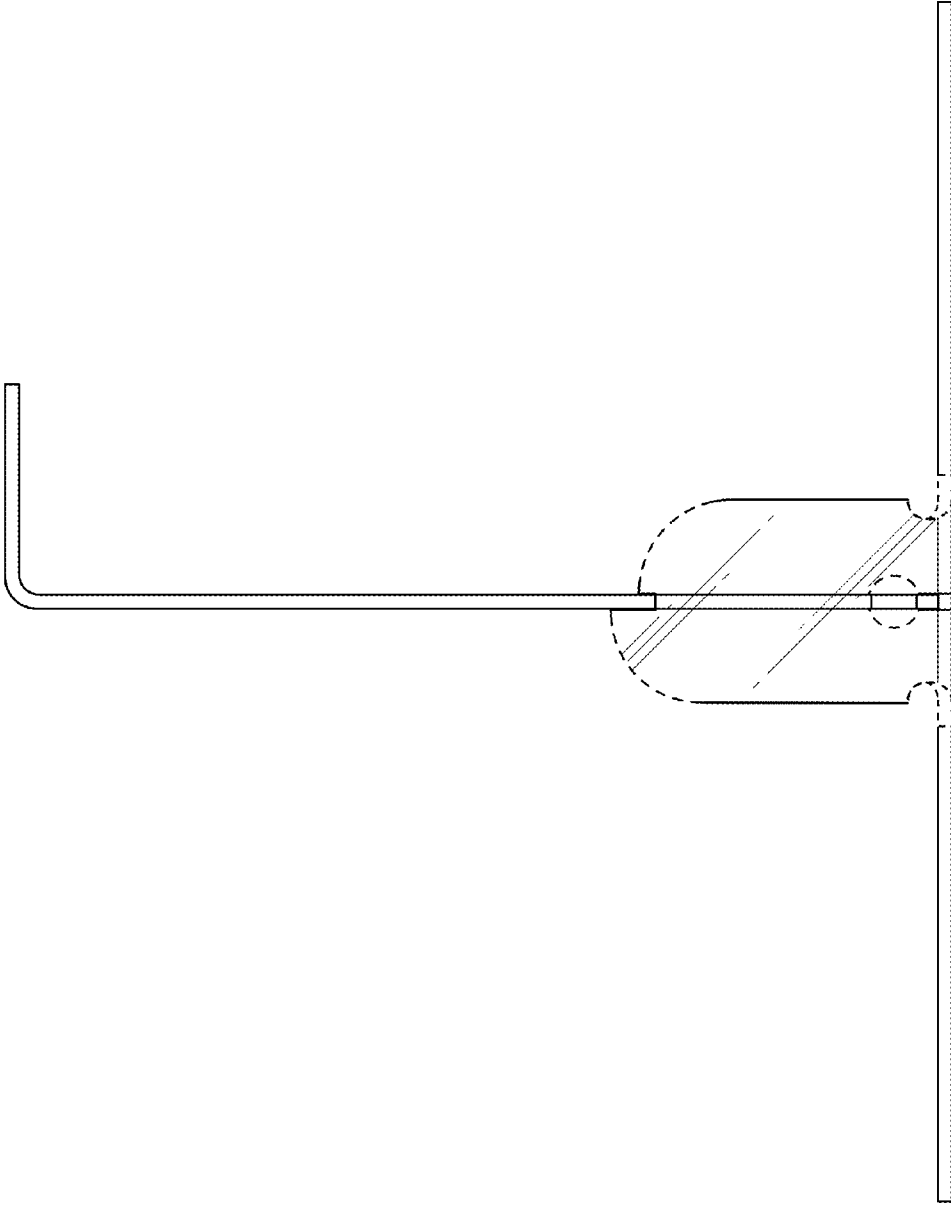


FIG. 4



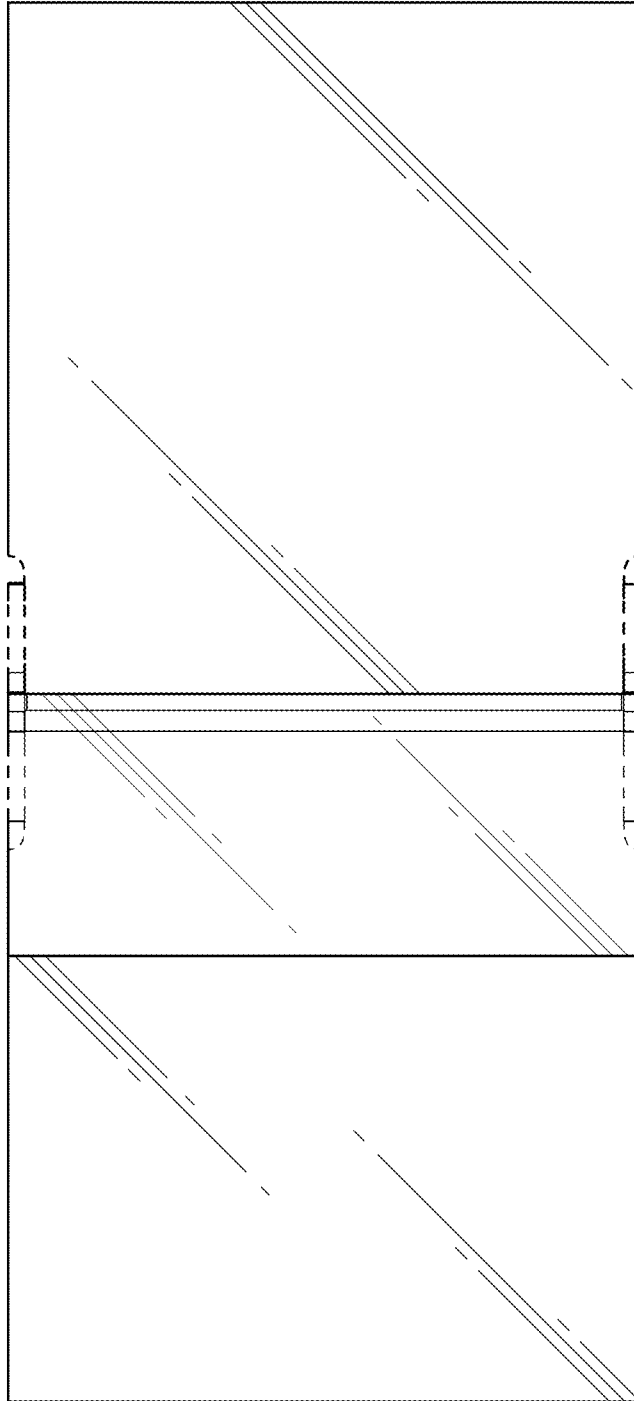


FIG. 6

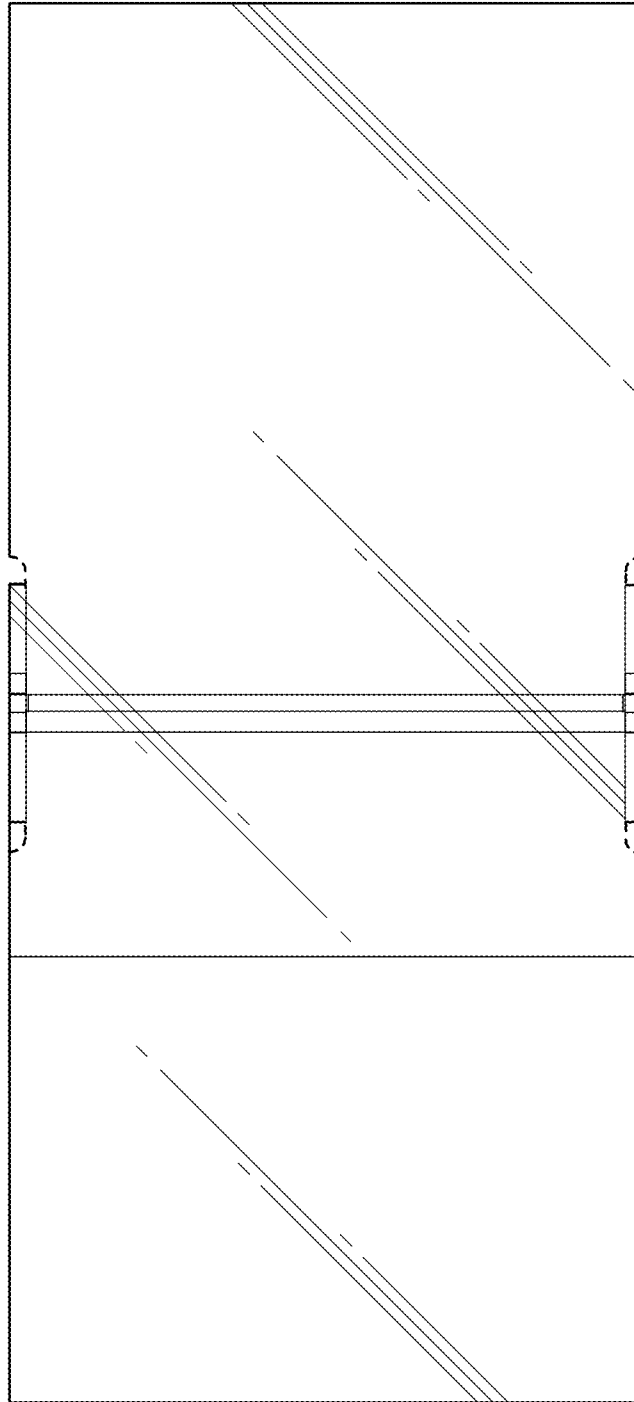


FIG. 7

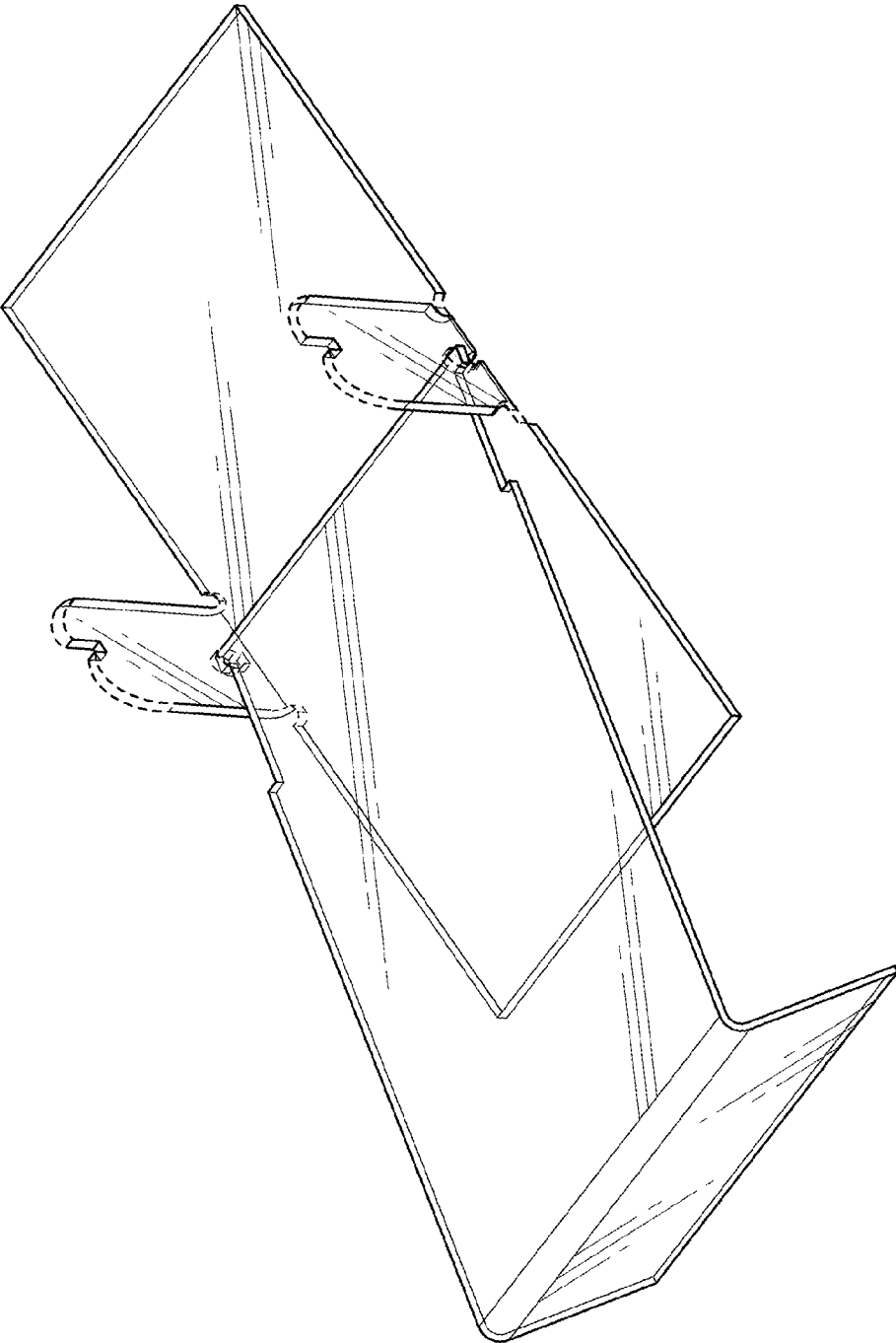


FIG. 8

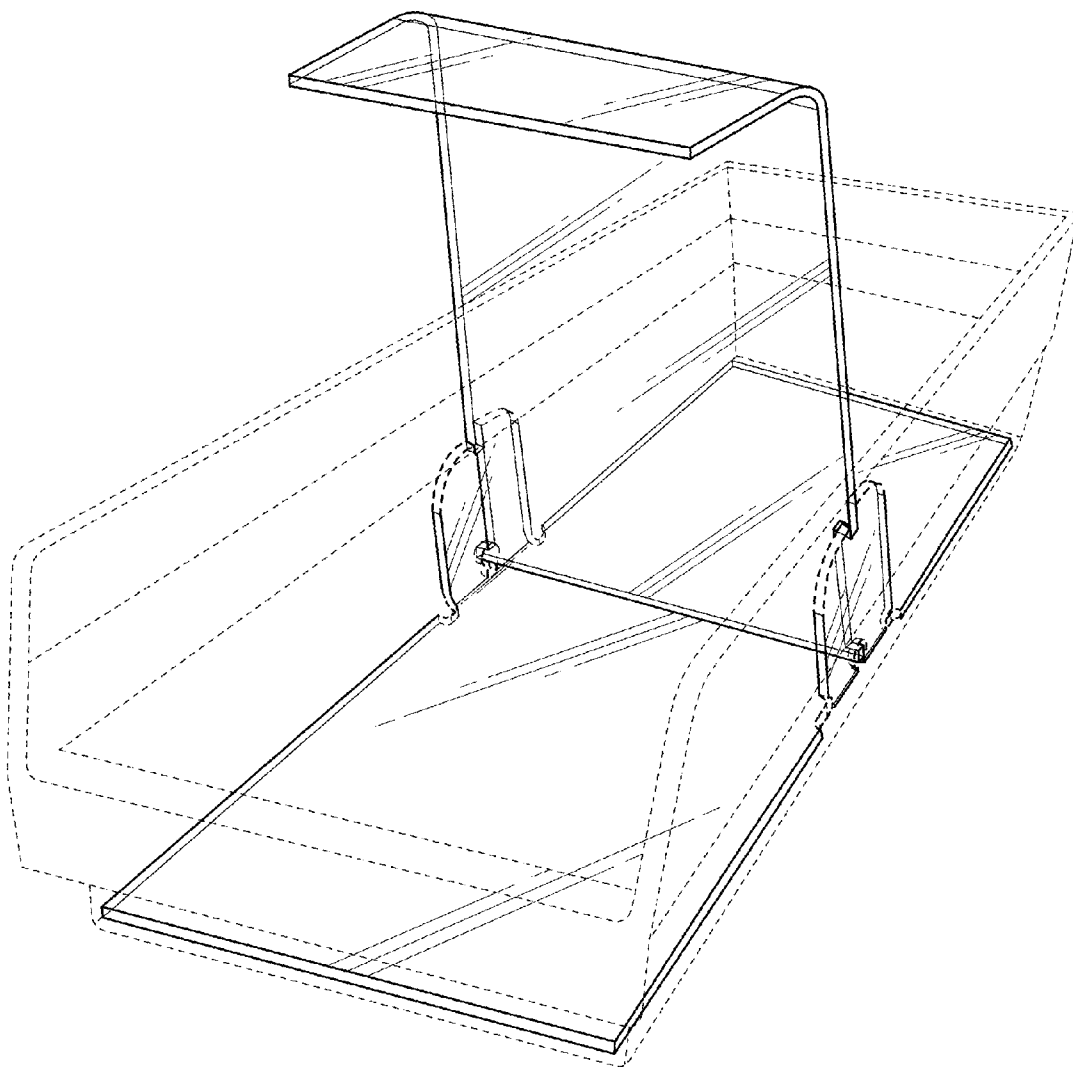


FIG. 9

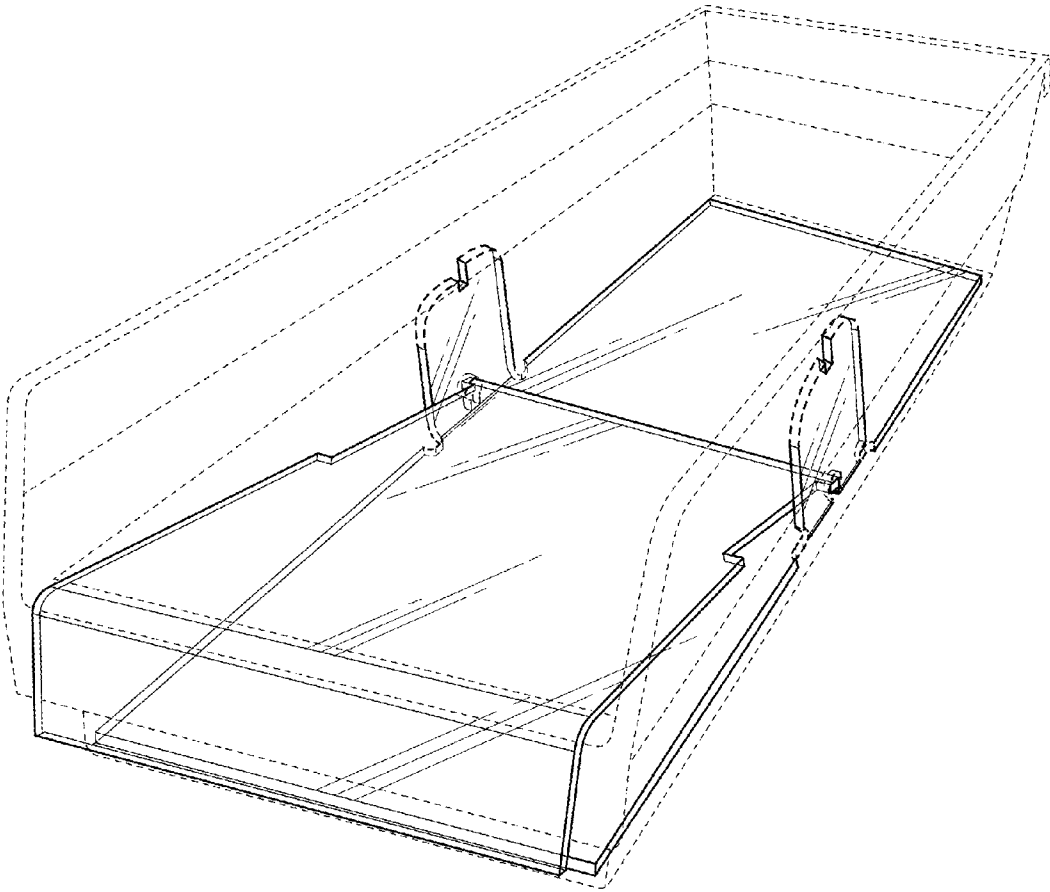


FIG. 10

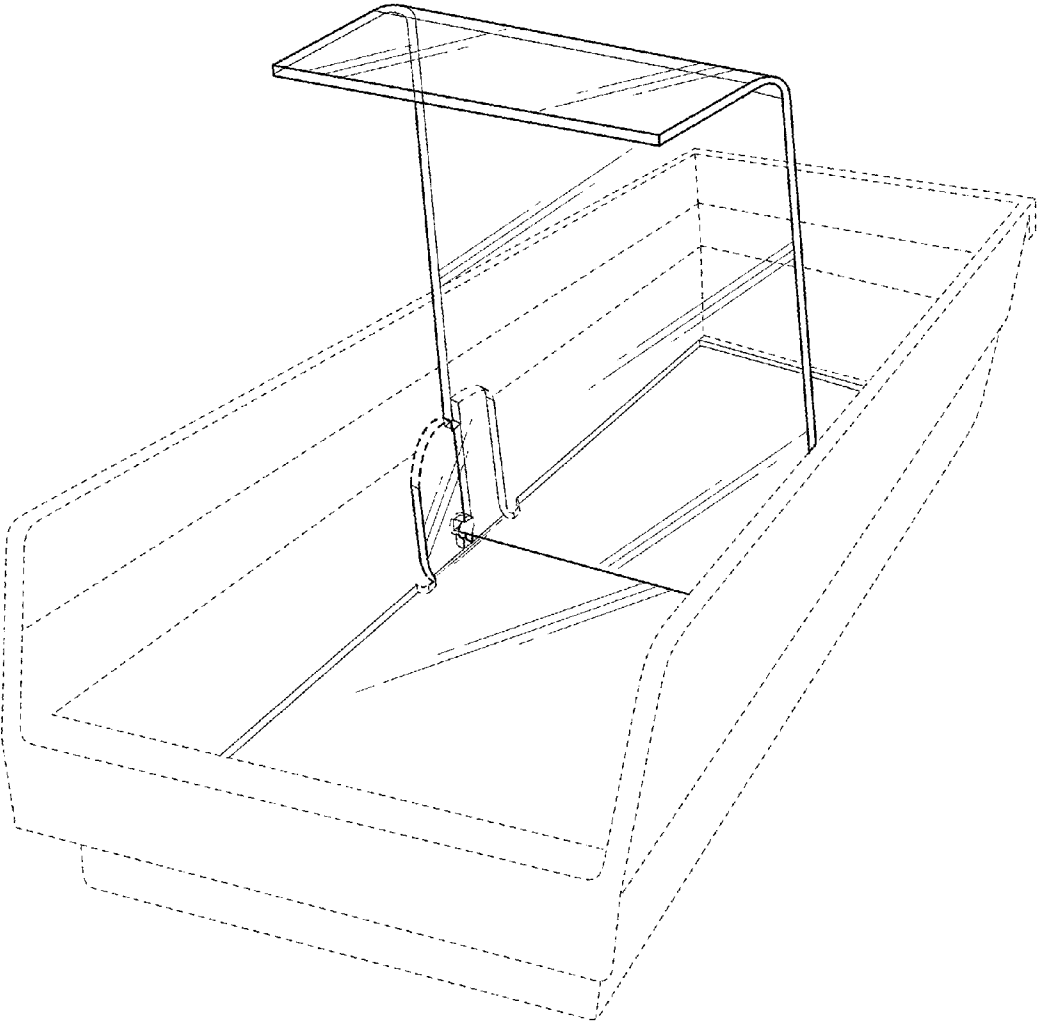


FIG. 11

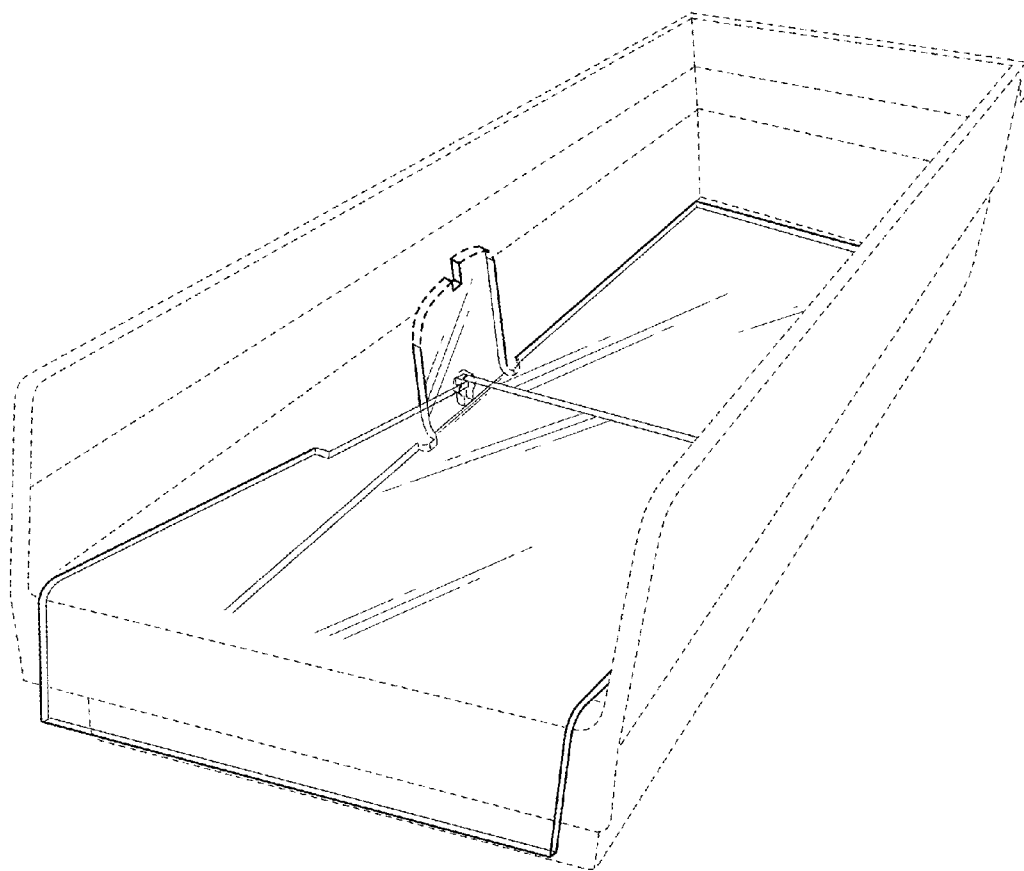


FIG. 12