

(12) INTERNATIONAL APPLICATION PUBLISHED UNDER THE PATENT COOPERATION TREATY (PCT)

(19) World Intellectual Property Organization  
International Bureau



(43) International Publication Date  
16 May 2002 (16.05.2002)

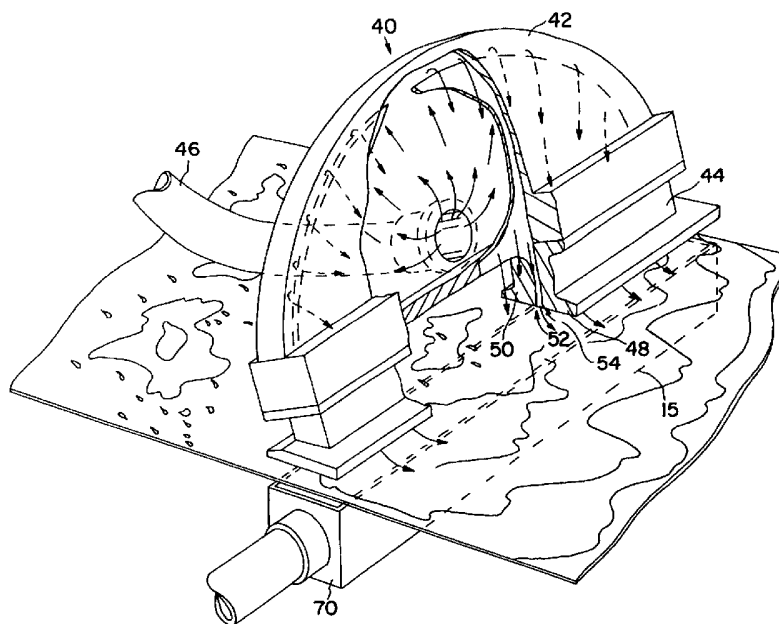
PCT

(10) International Publication Number  
WO 02/038865 A3

- (51) International Patent Classification<sup>7</sup>: D21H 21/56, 23/26
- (21) International Application Number: PCT/US01/47462
- (22) International Filing Date:  
8 November 2001 (08.11.2001)
- (25) Filing Language: English
- (26) Publication Language: English
- (30) Priority Data:  
60/246,771 8 November 2000 (08.11.2000) US
- (71) Applicant: KIMBERLY-CLARK WORLDWIDE, INC. [US/US]; 401 North Lake Street, Neenah, WI 54956 (US).
- (72) Inventor: CAPIZZI, Joseph, G.; 1119 Park Village Drive, Neenah, WI 54956 (US).
- (74) Agent: DORITY & MANNING, P., A.; One Liberty Square, 55 Beattie Place, Suite 1600, P.O. Box 1449, Greenville, SC 29601 (US).
- (81) Designated States (national): AE, AG, AL, AM, AT, AU, AZ, BA, BB, BG, BR, BY, BZ, CA, CH, CN, CO, CR, CU, CZ, DE, DK, DM, DZ, EC, EE, ES, FI, GB, GD, GE, GH, GM, HR, HU, ID, IL, IN, IS, JP, KE, KG, KP, KR, KZ, LC, LK, LR, LS, LT, LU, LV, MA, MD, MG, MK, MN, MW, MX, MZ, NO, NZ, OM, PH, PL, PT, RO, RU, SD, SE, SG, SI, SK, SL, TJ, TM, TR, TT, TZ, UA, UG, UZ, VN, YU, ZA, ZW.
- (84) Designated States (regional): ARIPO patent (GH, GM, KE, LS, MW, MZ, SD, SL, SZ, TZ, UG, ZW), Eurasian patent (AM, AZ, BY, KG, KZ, MD, RU, TJ, TM), European patent (AT, BE, CH, CY, DE, DK, ES, FI, FR, GB, GR, IE, IT, LU, MC, NL, PT, SE, TR), OAPI patent (BF, BJ, CF, CG, CI, CM, GA, GN, GQ, GW, ML, MR, NE, SN, TD, TG).
- Published:  
— with international search report
- (88) Date of publication of the international search report:  
15 May 2003

[Continued on next page]

(54) Title: FOAM TREATMENT OF TISSUE PRODUCTS



(57) Abstract: A method for applying a foam to a paper web is provided. Specifically, a foam is first formed from a liquid-based composition and a gas, such as air. Once formed, the foam is applied by a foam applicator to the web. In one embodiment, for example, the foam applicator applies the foam without substantially contacting the web. When applied with the foam, the web typically has a solids consistency less than about 95% by weight of the web. In some embodiments, one or more vacuum slots can be utilized in conjunction with the foam applicator to facilitate uniform application of the foam to the paper web.



WO 02/038865 A3



---

*For two-letter codes and other abbreviations, refer to the "Guidance Notes on Codes and Abbreviations" appearing at the beginning of each regular issue of the PCT Gazette.*

## INTERNATIONAL SEARCH REPORT

International application No

PCT/US 01/47462

<b>A. CLASSIFICATION OF SUBJECT MATTER</b> IPC 7 D21H21/56 D21H23/26		
According to International Patent Classification (IPC) or to both national classification and IPC		
<b>B. FIELDS SEARCHED</b> Minimum documentation searched (classification system followed by classification symbols) IPC 7 D21H		
Documentation searched other than minimum documentation to the extent that such documents are included in the fields searched		
Electronic data base consulted during the international search (name of data base and, where practical, search terms used) EPO-Internal		
<b>C. DOCUMENTS CONSIDERED TO BE RELEVANT</b>		
Category °	Citation of document, with indication, where appropriate, of the relevant passages	Relevant to claim No.
X	EP 0 195 458 A (UNION CARBIDE CORP) 24 September 1986 (1986-09-24) page 8, line 31 -page 9, line 4; claim 1 ---	1,9,12, 21
A	US 6 132 803 A (KELLY STEPHEN ROBERT ET AL) 17 October 2000 (2000-10-17) ---	
A	US 4 276 339 A (STOVEKEN F RAYMOND) 30 June 1981 (1981-06-30) -----	
<input type="checkbox"/> Further documents are listed in the continuation of box C. <input checked="" type="checkbox"/> Patent family members are listed in annex.		
° Special categories of cited documents :		
*A* document defining the general state of the art which is not considered to be of particular relevance *E* earlier document but published on or after the international filing date *L* document which may throw doubts on priority claim(s) or which is cited to establish the publication date of another citation or other special reason (as specified) *O* document referring to an oral disclosure, use, exhibition or other means *P* document published prior to the international filing date but later than the priority date claimed	*T* later document published after the international filing date or priority date and not in conflict with the application but cited to understand the principle or theory underlying the invention *X* document of particular relevance; the claimed invention cannot be considered novel or cannot be considered to involve an inventive step when the document is taken alone *Y* document of particular relevance; the claimed invention cannot be considered to involve an inventive step when the document is combined with one or more other such documents, such combination being obvious to a person skilled in the art. *&* document member of the same patent family	
Date of the actual completion of the international search	Date of mailing of the international search report	
14 February 2003	26/02/2003	
Name and mailing address of the ISA European Patent Office, P.B. 5818 Patentlaan 2 NL - 2280 HV Rijswijk Tel. (+31-70) 340-2040, Tx. 31 651 epo nl, Fax: (+31-70) 340-3016	Authorized officer  Songy, 0	

# INTERNATIONAL SEARCH REPORT

Information on patent family members

International application No

PCT/US 01/47462

Patent document cited in search report		Publication date	Patent family member(s)	Publication date
EP 0195458	A	24-09-1986	AT 37571 T	15-10-1988
			BR 8601246 A	02-12-1986
			CN 86101888 A	30-09-1987
			DE 3660820 D1	03-11-1988
			EP 0195458 A1	24-09-1986
			FI 861218 A	23-09-1986
			JP 61258095 A	15-11-1986
			NO 861126 A	23-09-1986
US 6132803	A	17-10-2000	US 5968853 A	19-10-1999
			AU 740921 B2	15-11-2001
			AU 6003498 A	29-09-1998
			BR 9812288 A	18-07-2000
			CN 1249712 T	05-04-2000
			EP 0966350 A1	29-12-1999
			WO 9840207 A1	17-09-1998
			JP 2001514552 T	11-09-2001
			TW 422782 B	21-02-2001
			ZA 9801935 A	09-09-1998
US 4276339	A	30-06-1981	CA 1152790 A1	30-08-1983
			DE 3121168 A1	16-12-1982
			FR 2506669 A1	03-12-1982
			GB 2098505 A ,B	24-11-1982
			SE 442386 B	23-12-1985
			SE 8103187 A	21-11-1982