

(19) World Intellectual Property Organization
International Bureau



(43) International Publication Date
29 September 2005 (29.09.2005)

PCT

(10) International Publication Number
WO 2005/089396 A3

- (51) International Patent Classification:
A61M 5/32 (2006.01)
- (21) International Application Number:
PCT/US2005/008788
- (22) International Filing Date: 16 March 2005 (16.03.2005)
- (25) Filing Language: English
- (26) Publication Language: English
- (30) Priority Data:
10/802,354 16 March 2004 (16.03.2004) US

GB, GD, GE, GH, GM, HR, HU, ID, IL, IN, IS, JP, KE, KG, KP, KR, KZ, LC, LK, LR, LS, LT, LU, LV, MA, MD, MG, MK, MN, MW, MX, MZ, NA, NI, NO, NZ, OM, PG, PH, PL, PT, RO, RU, SC, SD, SE, SG, SK, SL, SM, SY, TJ, TM, TN, TR, TT, TZ, UA, UG, US, UZ, VC, VN, YU, ZA, ZM, ZW.

- (71) Applicant and
(72) Inventor: SHANLEY, Laurence [US/US]; 662 N.E. 195th Street, Miami, FL 33179 (US).
- (74) Agents: GREENBERG, Laurence, A. et al.; Lerner and Greenberg, P.A., P.O. Box 2480, Hollywood, FL 33022-2480 (US).

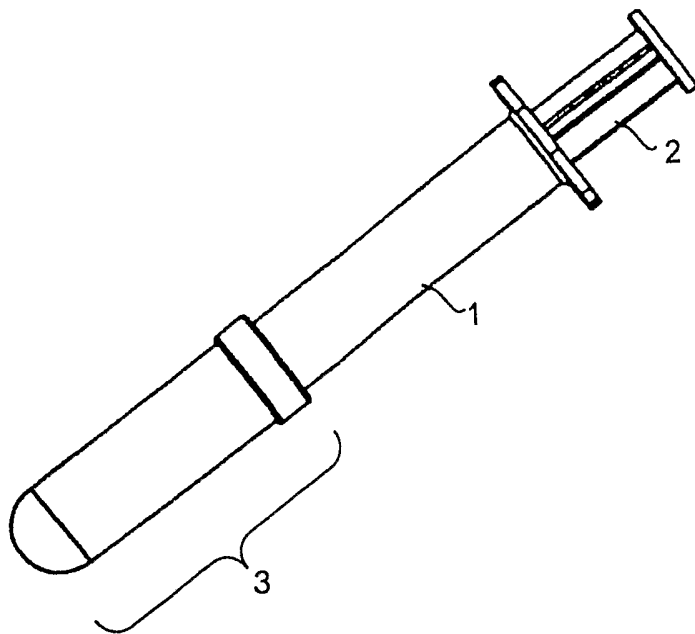
(84) Designated States (unless otherwise indicated, for every kind of regional protection available): ARIPO (BW, GH, GM, KE, LS, MW, MZ, NA, SD, SL, SZ, TZ, UG, ZM, ZW), Eurasian (AM, AZ, BY, KG, KZ, MD, RU, TJ, TM), European (AT, BE, BG, CH, CY, CZ, DE, DK, EE, ES, FI, FR, GB, GR, HU, IE, IS, IT, LT, LU, MC, NL, PL, PT, RO, SE, SI, SK, TR), OAPI (BF, BJ, CF, CG, CI, CM, GA, GN, GQ, GW, ML, MR, NE, SN, TD, TG).

Published:
— with international search report
— before the expiration of the time limit for amending the claims and to be republished in the event of receipt of amendments

(88) Date of publication of the international search report:
5 October 2006

For two-letter codes and other abbreviations, refer to the "Guidance Notes on Codes and Abbreviations" appearing at the beginning of each regular issue of the PCT Gazette.

(54) Title: NEEDLE CAP ASSEMBLY FOR SYRINGE



(57) Abstract: A safety needle cap (3) for a syringe completely covers the hypodermic needle (4) during non-use or between injections. The needle (4) can be easily exposed with a reduced danger of accidental needle-stick injury. The needle cap (3) can be unlocked from the closed position by being rotated, and then slid backwards onto the syringe barrel (1) by a defined travel distance. Several settings, up to the full extension of the needle, are possible. After use, with the needle retracted into the cap (3), needle stick injuries are once more prevented.

WO 2005/089396 A3

INTERNATIONAL SEARCH REPORT

International application No.
PCT/US05/08788

A. CLASSIFICATION OF SUBJECT MATTER
IPC: A61M 5/32(2006.01)

USPC: 604/198
According to International Patent Classification (IPC) or to both national classification and IPC

B. FIELDS SEARCHED

Minimum documentation searched (classification system followed by classification symbols)
U.S. : 604/198, 110

Documentation searched other than minimum documentation to the extent that such documents are included in the fields searched

Electronic data base consulted during the international search (name of data base and, where practicable, search terms used)

C. DOCUMENTS CONSIDERED TO BE RELEVANT

Category *	Citation of document, with indication, where appropriate, of the relevant passages	Relevant to claim No.
X --- Y	US 5,201,721 A (LEE et al) 13 April 1993 (13.04.1993), See whole document.	1, 4, 5, 9, 10 ----- 2, 3, 6-8
Y	US 6,322,540 B1 (GRABIS et al) 27 November 2001 (27.11.2001), See Figs 2-4.	2, 3, 7, 8
Y	US 2002/0193749 A1 (OLOVSON) 19 December 2002 (19.12.2002), See paragraph 0075.	6

Further documents are listed in the continuation of Box C. See patent family annex.

* Special categories of cited documents:	"T"
"A" document defining the general state of the art which is not considered to be of particular relevance	later document published after the international filing date or priority date and not in conflict with the application but cited to understand the principle or theory underlying the invention
"E" earlier application or patent published on or after the international filing date	"X" document of particular relevance; the claimed invention cannot be considered novel or cannot be considered to involve an inventive step when the document is taken alone
"L" document which may throw doubts on priority claim(s) or which is cited to establish the publication date of another citation or other special reason (as specified)	"Y" document of particular relevance; the claimed invention cannot be considered to involve an inventive step when the document is combined with one or more other such documents, such combination being obvious to a person skilled in the art
"O" document referring to an oral disclosure, use, exhibition or other means	"&" document member of the same patent family
"P" document published prior to the international filing date but later than the priority date claimed	

Date of the actual completion of the international search 20 June 2006 (20.06.2006)	Date of mailing of the international search report 14 AUG 2006
Name and mailing address of the ISA/US Mail Stop PCT, Attn: ISA/US Commissioner for Patents P.O. Box 1450 Alexandria, Virginia 22313-1450 Facsimile No. (571) 273-3201	Authorized officer <i>Shawn D Green for</i> Nicholas Lucchesi Telephone No. 571-272-2975