



US00D792927S

(12) **United States Design Patent**
Desberg

(10) **Patent No.:** **US D792,927 S**
(45) **Date of Patent:** **** Jul. 25, 2017**

- (54) **KART**
- (71) Applicant: **RAZOR USA LLC**, Cerritos, CA (US)
- (72) Inventor: **Ian Desberg**, Cerritos, CA (US)
- (73) Assignee: **RAZOR USA LLC**, Cerritos, CA (US)
- (**) Term: **15 Years**
- (21) Appl. No.: **29/587,247**
- (22) Filed: **Dec. 12, 2016**

D215,861 S	11/1969	Cook	
D220,509 S *	4/1971	Schreckengost	D12/87
3,604,722 A	9/1971	Boley	
3,870,334 A	3/1975	Cole	
D251,324 S	3/1979	Vaughn	
D252,651 S	8/1979	Tepper	
D254,380 S	3/1980	Thomas	
D258,368 S	2/1981	Cornish	
D266,100 S	9/1982	Miller	
4,359,231 A	11/1982	Mulcahy	
D276,058 S	10/1984	Rogers	
4,484,646 A	11/1984	Smith	
4,516,648 A	5/1985	Berger	
4,562,893 A	1/1986	Cunard	
4,573,696 A	3/1986	Buroff	
4,645,257 A *	2/1987	Salmon	B62J 25/00 296/75
D300,127 S	3/1989	Poss	

(Continued)

Related U.S. Application Data

- (63) Continuation of application No. 29/530,057, filed on Jun. 12, 2015, now Pat. No. Des. 774,602.
- (51) **LOC (10) Cl.** **21-01**
- (52) **U.S. Cl.**
USPC **D21/426; D12/87**
- (58) **Field of Classification Search**
USPC D21/419, 421, 423, 426, 662, 760, 765, D21/766, 769, 771, 776, 803; D12/1, 6, D12/130; 280/7.14, 11.115, 11.19, 11.27, 280/11.28, 14.21, 79.11, 79.2, 87.01, 280/87.021, 87.03, 87.041, 87.042, 607, 280/608, 609, 809; 180/180, 181; 434/247, 253, 258; D34/23, 28; 446/443
CPC . A63C 17/00; A63C 17/0026; A63C 17/0033; A63C 17/01; A63C 17/04; A63C 17/265; A63C 17/26; A63C 17/28; B62K 3/002
See application file for complete search history.

Primary Examiner — Cynthia M Chin
(74) *Attorney, Agent, or Firm* — Knobbe, Martens, Olson & Bear, LLP

(57) **CLAIM**

The ornamental design for a kart, as shown and described.

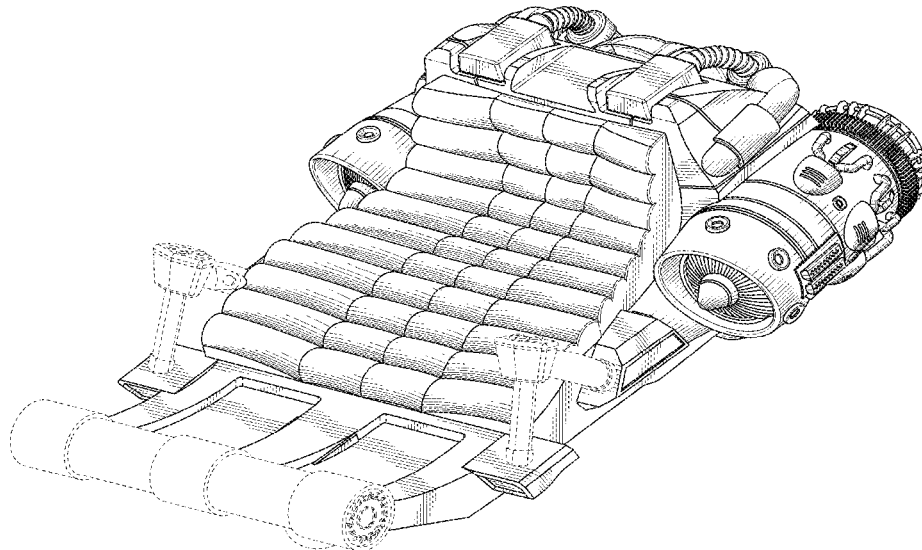
DESCRIPTION

FIG. 1 is a front perspective view of a kart, which embodies my design.
 FIG. 2 is a front view of the kart of FIG. 1.
 FIG. 3 is a rear view of the kart of FIG. 1.
 FIG. 4 is a left side view of the kart of FIG. 1.
 FIG. 5 is a right side view of the kart of FIG. 1.
 FIG. 6 is a top view of the kart of FIG. 1.
 FIG. 7 is a bottom view of the kart of FIG. 1; and,
 FIG. 8 is a cross-sectional view of the kart of FIG. 1 as indicated in FIG. 2.
 The broken lines are for the purpose of illustrating portions of the kart that form no part of the claim.

1 Claim, 7 Drawing Sheets

(56) **References Cited**
U.S. PATENT DOCUMENTS

2,219,905 A	10/1940	Prickman
D213,370 S	2/1969	Cherry
3,437,161 A	4/1969	Ufford
D214,576 S	7/1969	King



(56)

References Cited

U.S. PATENT DOCUMENTS

D301,497 S	6/1989	Gassaway	D471,936 S	3/2003	Tilbor	
4,875,694 A	10/1989	Hamrick	D512,467 S	12/2005	Hadley	
4,896,899 A	1/1990	Lawrence	7,114,742 B1	10/2006	Sterns	
D316,281 S	4/1991	Mirisch, Sr.	D562,914 S	2/2008	Oveson et al.	
5,046,750 A	9/1991	Heubl	7,328,764 B2 *	2/2008	Penz	B60K 11/08
5,069,469 A	12/1991	Rosengrant				180/68.1
5,265,690 A *	11/1993	Amundsen	D582,992 S	12/2008	Alais	
			D601,640 S	10/2009	McIlvain	
		B62D 21/183	7,726,668 B2	6/2010	Sieb et al.	
		180/311	8,210,555 B2 *	7/2012	Belenkov	B62K 3/005
D343,424 S	1/1994	Lamb				280/278
D368,743 S	4/1996	Amburgey	D705,128 S *	5/2014	Patterson	D12/87
D382,917 S	8/1997	Brodoski	8,801,005 B1	8/2014	Flickner	
D384,706 S	10/1997	Temple	D761,700 S	7/2016	Kermani	
D406,684 S	3/1999	Pool	D764,600 S	8/2016	Desberg	
D412,138 S *	7/1999	Triarsi	D764,601 S	8/2016	Desberg	
			D766,780 S	9/2016	Fusco	
D437,364 S	2/2001	Jang	D768,788 S	10/2016	Orenstein et al.	
D440,607 S	4/2001	Mahlow	D771,196 S	11/2016	Chen	
D464,999 S	10/2002	Gu	D774,602 S	12/2016	Desberg	
D465,814 S *	11/2002	Koveleski	D774,981 S	12/2016	Chen	
			D775,282 S	12/2016	Williams et al.	
D466,560 S	12/2002	Stolpmann	2002/0017418 A1	2/2002	Korenjack et al.	
D469,819 S	2/2003	Nicolle et al.				

* cited by examiner

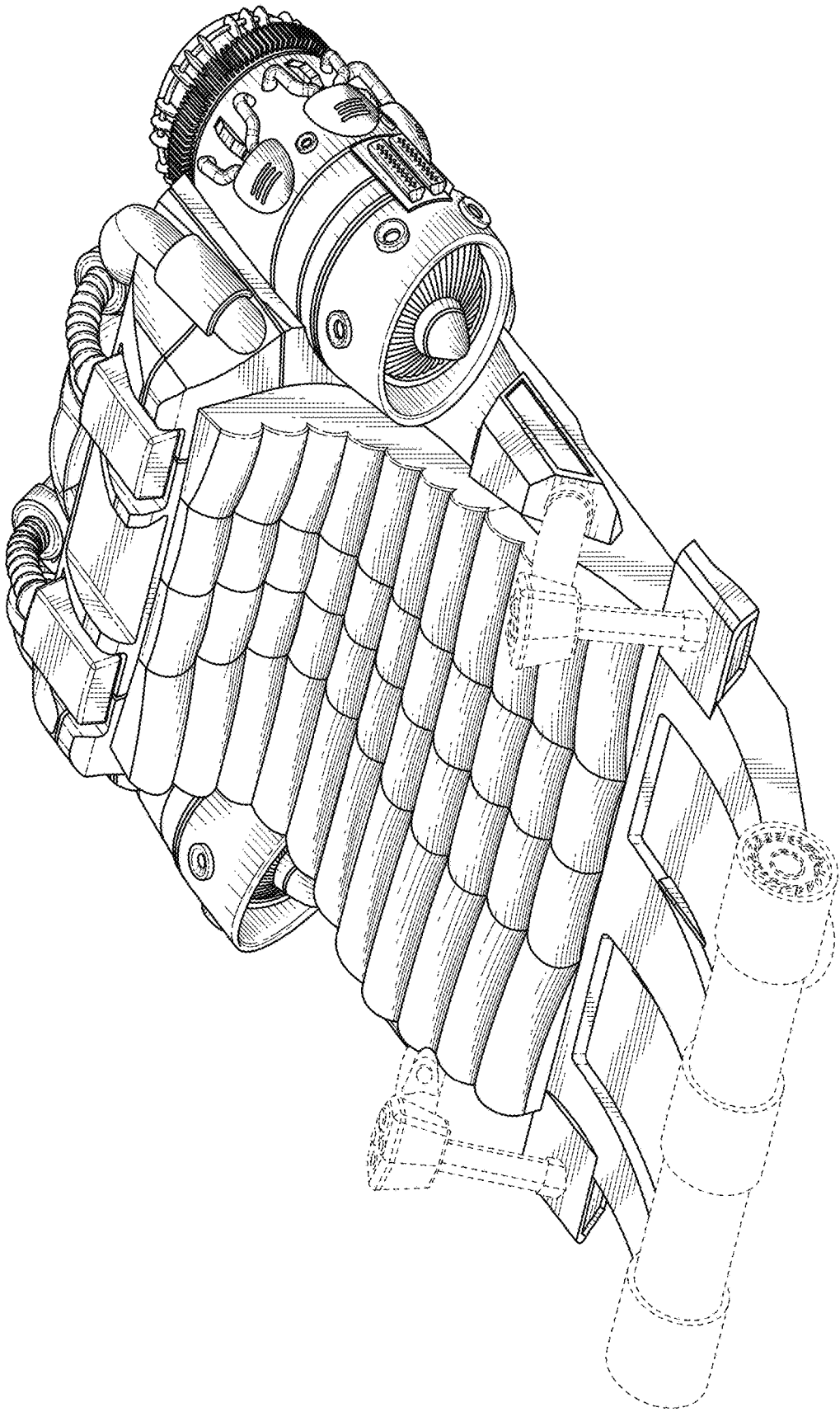


FIG. 1

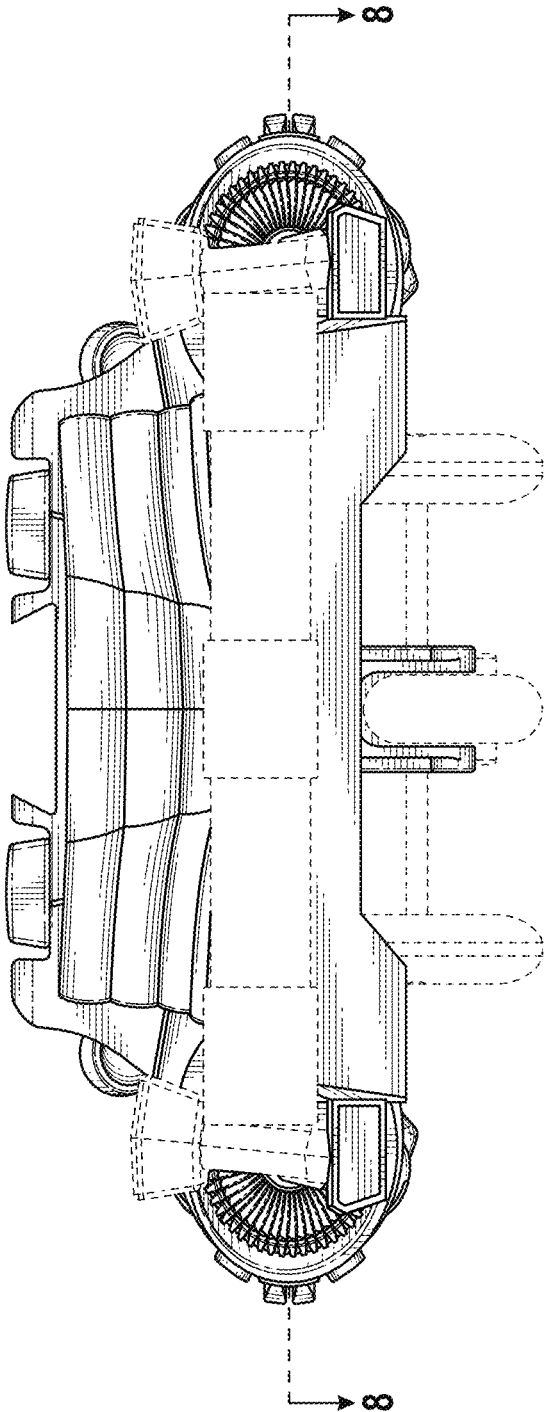


FIG. 2

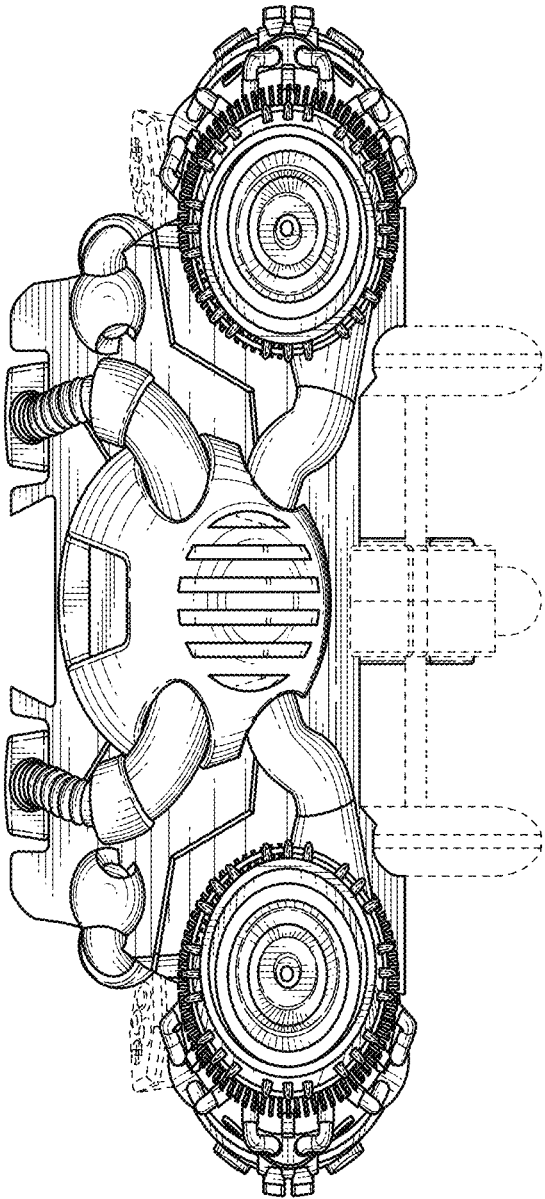


FIG. 3

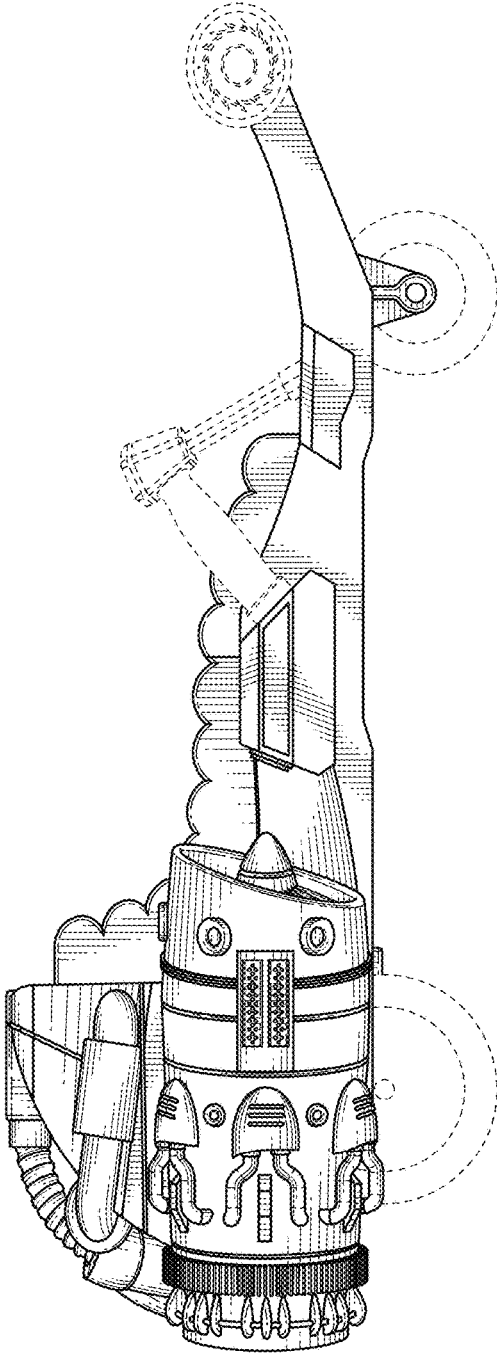


FIG. 4

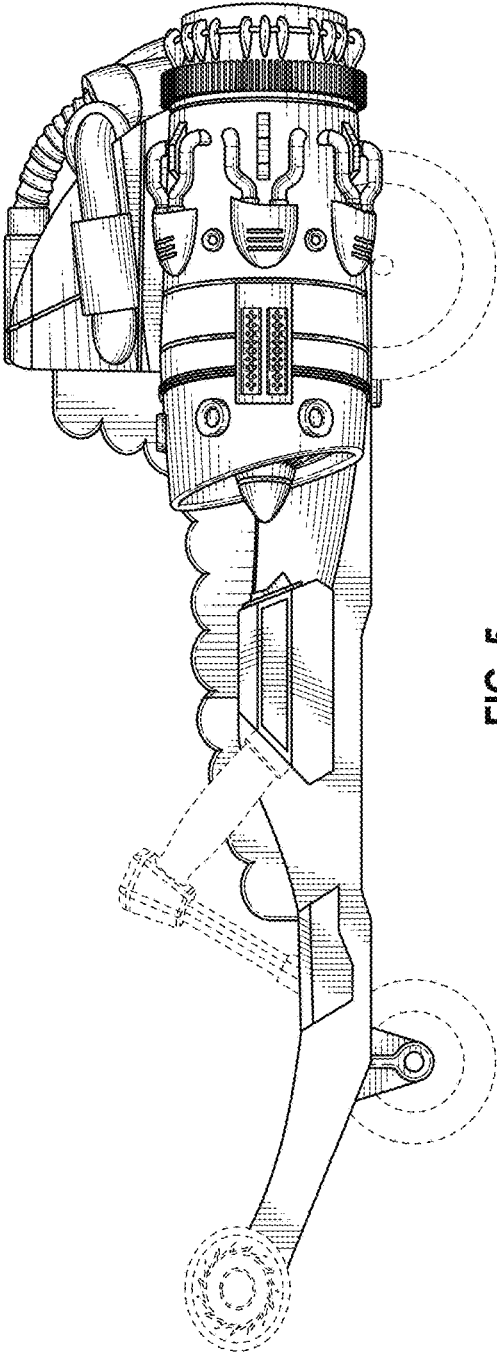


FIG. 5

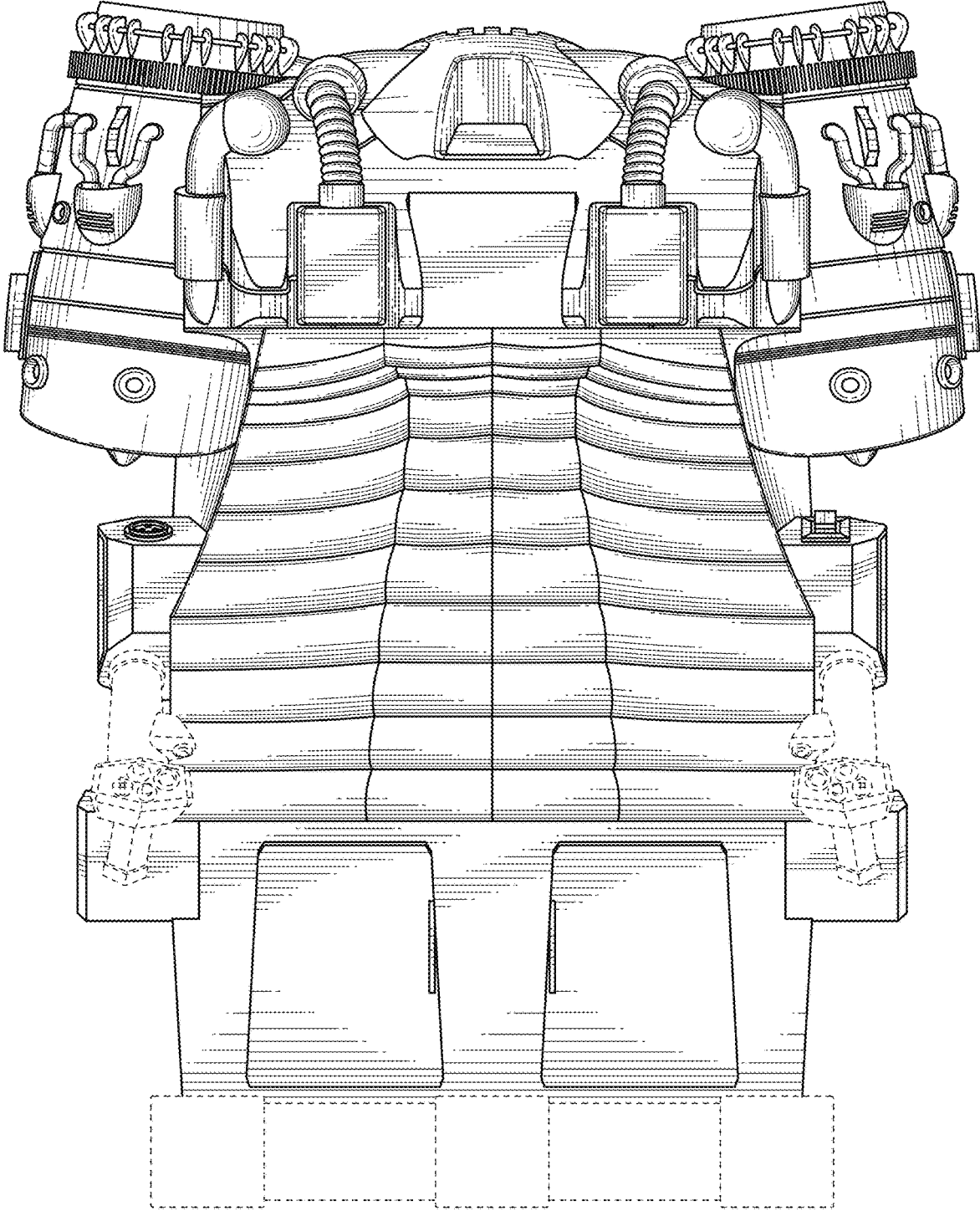


FIG. 6

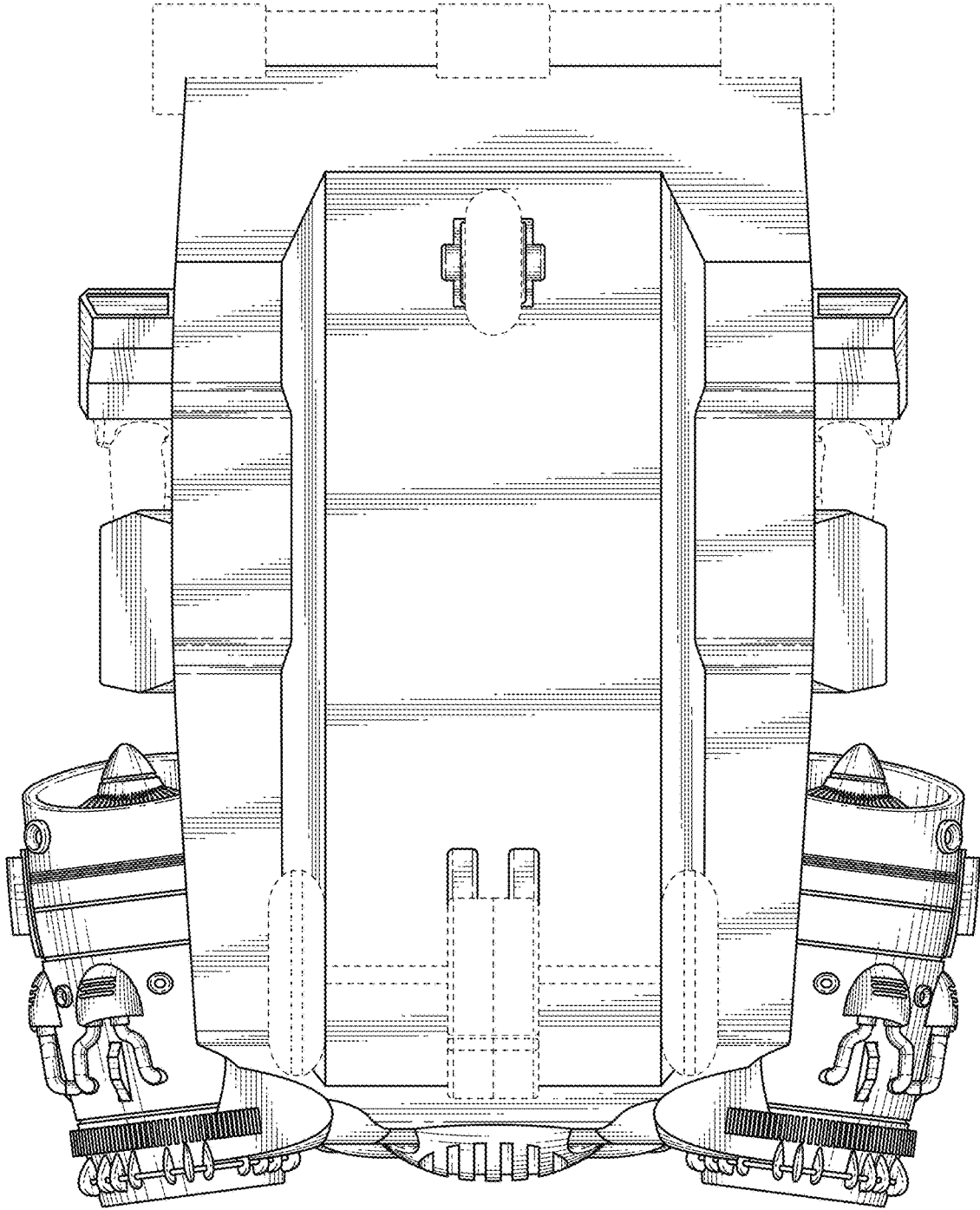


FIG. 7

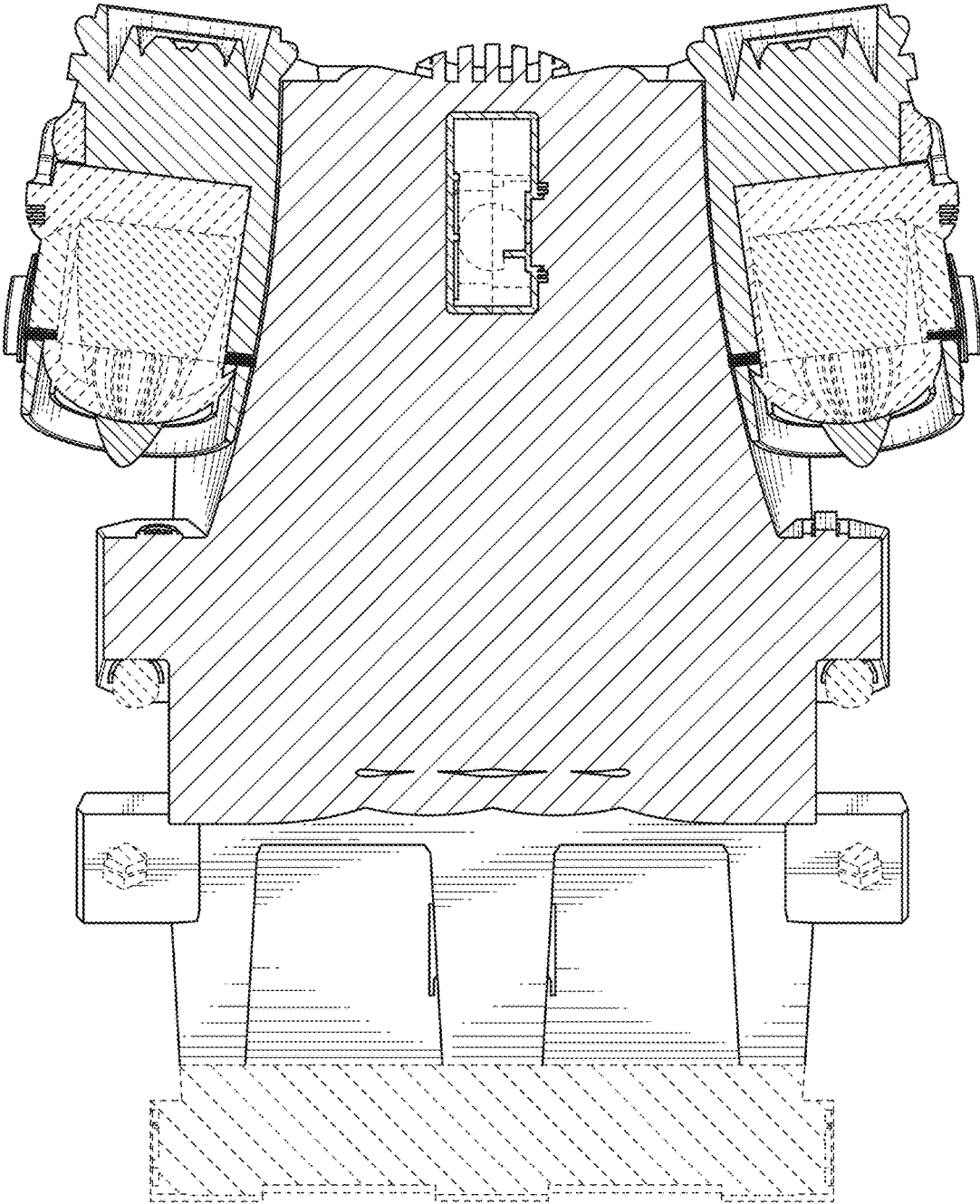


FIG. 8