



US00D738176S

(12) **United States Design Patent**
Rooney

(10) **Patent No.:** **US D738,176 S**

(45) **Date of Patent:** **** Sep. 8, 2015**

(54) **DRILL AND TAP GUIDE**

(71) Applicant: **Bruce Patrick Rooney**, Louisburg, KS
(US)

(72) Inventor: **Bruce Patrick Rooney**, Louisburg, KS
(US)

(**) Term: **14 Years**

(21) Appl. No.: **29/475,869**

(22) Filed: **Dec. 7, 2013**

(51) **LOC (10) Cl.** **08-03**

(52) **U.S. Cl.**
USPC **D8/70; D10/64**

(58) **Field of Classification Search**
USPC D8/70, 71; D10/61, 64, 65; D15/132,
D15/138, 140, 143; D24/133, 140, 147,
D24/149; 408/56, 72 R, 72 B, 97, 111, 112,
408/115 R, 115 B, 241 G, 712
CPC B23B 41/12; B23B 47/28; B23B 49/02;
B23B 49/023; B23G 1/22; B23Q 11/08;
B25B 5/147; B25H 1/0064; B25H 1/0078
See application file for complete search history.

(56) **References Cited**

U.S. PATENT DOCUMENTS

2,214,686	A *	9/1940	Weedy	408/72 R
D230,765	S *	3/1974	Filson	D10/64
4,005,945	A *	2/1977	Gutman	408/115 B
4,523,162	A *	6/1985	Johnson	333/202
4,692,726	A *	9/1987	Green et al.	333/206
5,807,033	A *	9/1998	Benway	408/1 R
D435,415	S *	12/2000	Johnson et al.	D8/71
D459,967	S *	7/2002	Johnson et al.	D8/71
D546,212	S *	7/2007	Rooney	D10/64

D705,632	S *	5/2014	Larson et al.	D8/71
2005/0254911	A1 *	11/2005	Rooney	408/115 R
2009/0191015	A1 *	7/2009	Quinn	408/115 R

FOREIGN PATENT DOCUMENTS

EP	1327493	A1 *	7/2003	B23B 49/02
WO	WO 2005023470	A2 *	3/2005	B23B 47/28

OTHER PUBLICATIONS

“Large V-DrillGuide®—STD2000DGNP.” Big Gator Tools., May 31, 2014 [online], [retrieved on Oct. 15, 2014]. Retrieved from the Internet <URL: <http://www.shop.biggatortools.com/Large-Standard-V-DrillGuide-3-8-1-2-STD2000DGNP.htm>>.*

* cited by examiner

Primary Examiner — Philip S Hyder

Assistant Examiner — Darlington Ly

(74) *Attorney, Agent, or Firm* — William J. Jacob; Donna Denise Mashburn

(57) **CLAIM**

The ornamental design for a drill and tap guide, as shown and described.

DESCRIPTION

FIG. 1 is a front perspective view of a rectangular drill and tap guide having filleted corners in accordance with the present invention;

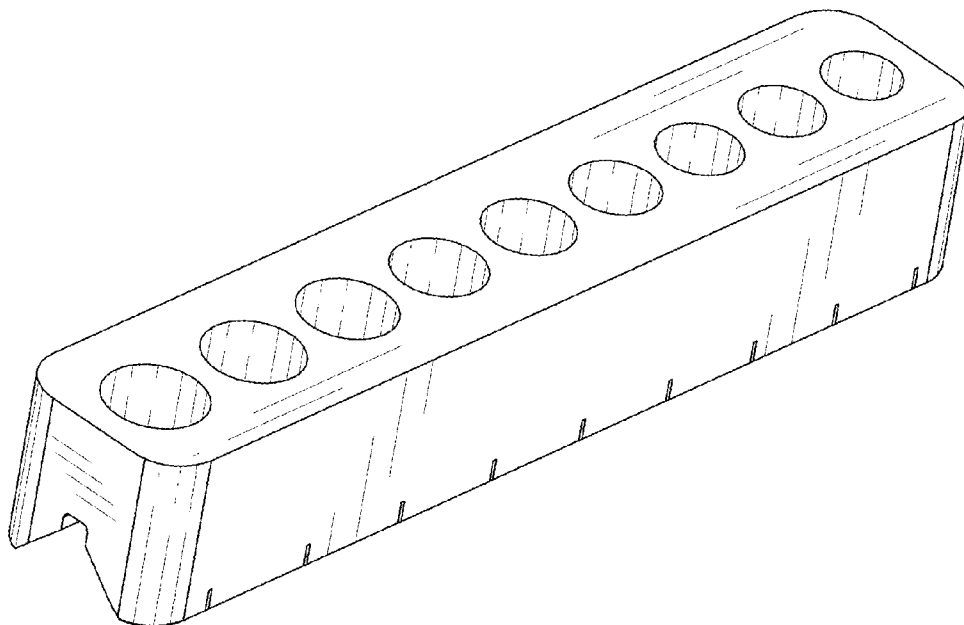
FIG. 2 is a top view of the guide shown in FIG. 1;

FIG. 3 is a bottom view of the guide shown in FIG. 1;

FIG. 4 is a longitudinal side view of the guide shown in FIG. 1; and,

FIG. 5 is a lateral side view of the guide shown in FIG. 1.

1 Claim, 5 Drawing Sheets



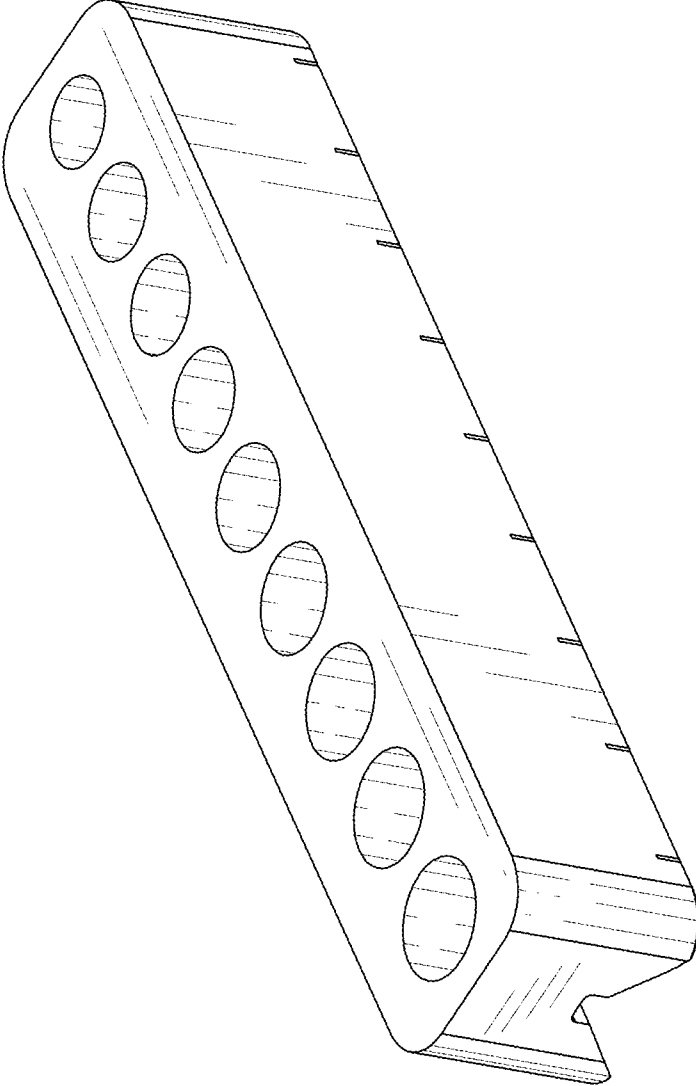


FIG. 1

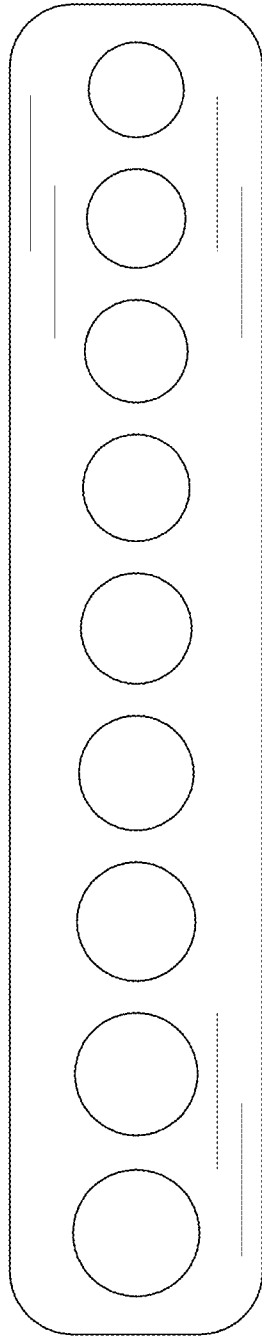


FIG. 2

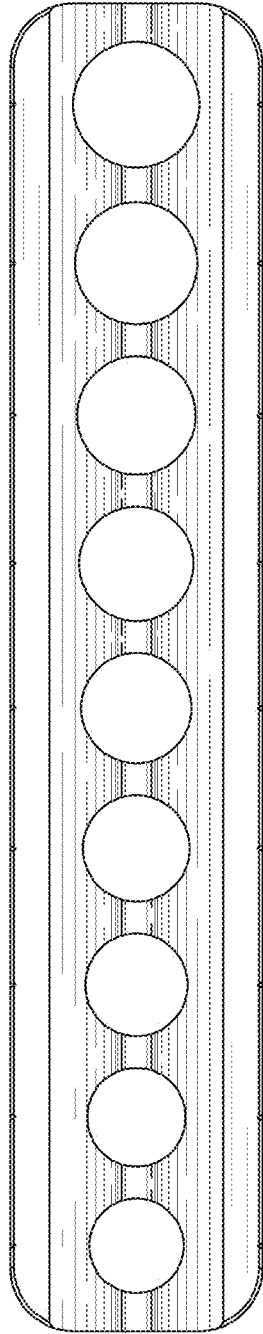


FIG. 3

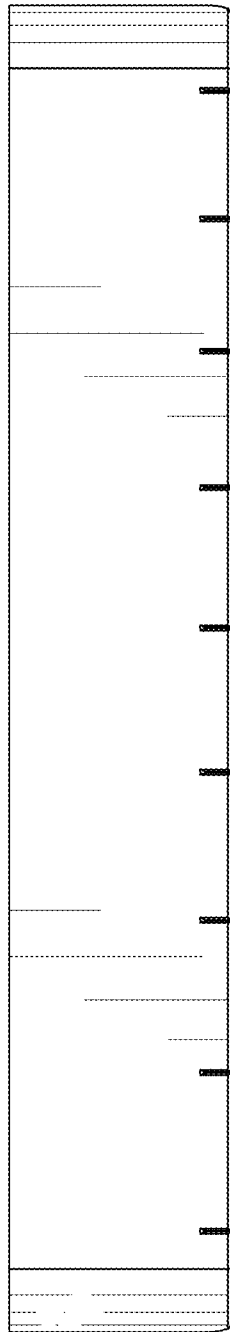


FIG. 4

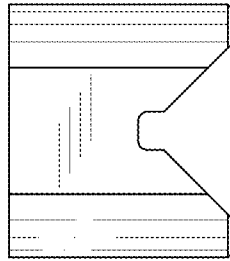


FIG. 5