

- [54] **POMPON MAKER OR THE LIKE**
- [75] Inventor: **Hidekazu Okada, Ashiya, Japan**
- [73] Assignee: **Clover Mfg. Co., Ltd., Osaka, Japan**
- [**] Term: **14 Years**
- [21] Appl. No.: **335,463**
- [22] Filed: **Dec. 29, 1981**
- [52] U.S. Cl. **D3/26**
- [58] Field of Search **D3/18, 26, 20; 28/147; 223/46; 428/4**

268012 6/1964 Netherlands 223/46

Primary Examiner—Bruce W. Dunkins
Assistant Examiner—Carmen H. Vales
Attorney, Agent, or Firm—Birch, Stewart, Kolasch & Birch

[57] **CLAIM**

The ornamental design for pompon maker or the like, as shown.

DESCRIPTION

FIG. 1 is a front elevational view of a pompon maker or the like showing my new design;
 FIG. 2 is a right side elevational view thereof;
 FIG. 3 is a left side elevational view thereof;
 FIG. 4 is a top plan view thereof;
 FIG. 5 is a bottom plan view thereof;
 FIG. 6 is a rear elevational view thereof;
 FIG. 7 is a sectional view taken along line 7—7 of FIG. 2; and
 FIG. 8 is an exploded perspective view thereof.

[56] **References Cited**

U.S. PATENT DOCUMENTS

- 2,799,956 7/1957 Ciroli 223/46
- 3,223,299 12/1965 Kerrigan et al. 223/46

FOREIGN PATENT DOCUMENTS

- 338573 3/1936 Italy 28/147

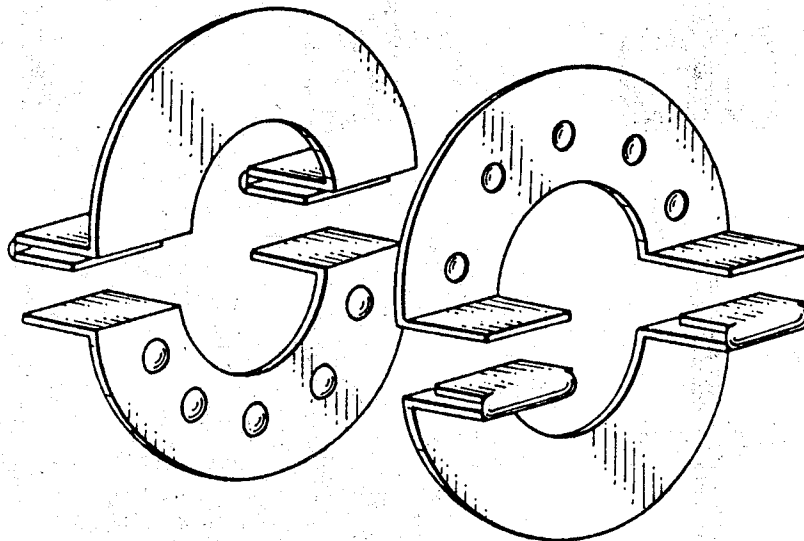


FIG. 3

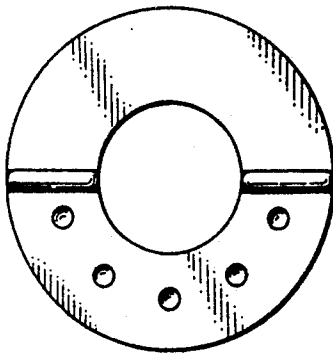


FIG. 1

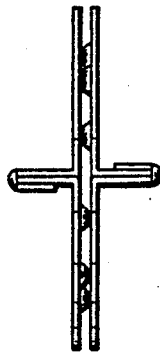
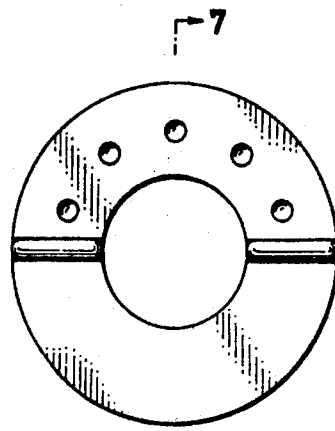


FIG. 2



7

FIG. 5

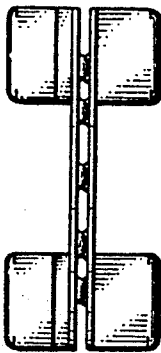


FIG. 4

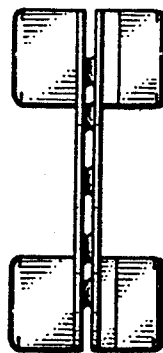


FIG. 6

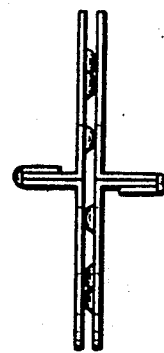


FIG. 8

FIG. 7

