

(19) **DANMARK**

(10) **DK/EP 2397914 T4**



Patent- og
Varemærkestyrelsen

(12) **Oversættelse af ændret
europæisk patentskrift**

-
- (51) Int.Cl.: **G 03 G 15/00 (2006.01)** **G 03 G 15/08 (2006.01)**
- (45) Oversættelsen bekendtgjort den: **2018-08-06**
- (80) Dato for Den Europæiske Patentmyndigheds bekendtgørelse om opretholdelse af patentet i ændret form: **2018-06-13**
- (86) Europæisk ansøgning nr.: **11180248.4**
- (86) Europæisk indleveringsdag: **2008-07-24**
- (87) Den europæiske ansøgnings publiceringsdag: **2011-12-21**
- (30) Prioritet: **2007-09-11 KR 20070091999** **2008-02-29 KR 20080018969**
- (62) Stamansøgningsnr: **11157138.6**
- (84) Designerede stater: **AT BE BG CH CY CZ DE DK EE ES FI FR GB GR HR HU IE IS IT LI LT LU LV MC MT NL NO PL PT RO SE SI SK TR**
- (73) Patenthaver: **HP Printing Korea Co., Ltd., 129, Samsung-ro , Yeongtong-gu , Suwon-si, Gyeonggi-do 16677, Sydkorea**
- (72) Opfinder: **Kim, Young Min, 304-1203, Jugong-greenville Apt., Maetan-3-dong, Yeongtong-gu, Gyeonggi-do, Suwon-si, Sydkorea**
- (74) Fuldmægtig i Danmark: **NORDIC PATENT SERVICE A/S, Bredgade 30, 1260 København K, Danmark**
- (54) Benævnelse: **Fremkaldelsesindretning og billeddannelsesapparat**
- (56) Fremdragne publikationer:
JP-A- 2001 399 081
JP-A- 2002 402 044
US-A- 5 272 503
US-A- 5 926 666
US-A1- 2003 215 261
US-A1- 2005 002 688
US-B2- 6 898 402
JP-A- 2003 195 723
JP-A- 2003 255 698
US-A1- 2003 091 361
US-A1- 2005 078 978
US-A1- 2005 095 020
US-A1- 2006 024 080
US-A1- 2007 189 781

DESCRIPTION

BACKGROUND OF THE INVENTION

1. Field of the Invention

[0001] The present general inventive concept relates to an image forming apparatus, and more particularly to a developing device with a memory unit, and an image forming apparatus having the same.

2. Description of the Related Art

[0002] Generally, an image forming apparatus produces an image on a printing medium in accordance with an input image signal. For example, a printer, a photocopier, a facsimile, and a multifunction peripheral (MFP) having combined functions of the aforementioned apparatuses belong to the image forming apparatus.

[0003] Especially, an electrophotographic image forming apparatus forms a desired image in the following process. First, a surface of a photoconductive medium is electrified to a predetermined electric potential. A laser beam is projected onto the surface of the photoconductive medium to form an electrostatic latent image. A visible image is obtained by supplying developer to the electrostatic latent image. Next, the visible developer image developed on the photoconductive medium is transferred to a printing medium directly or through an intermediate transferring medium, and then fixed to the printing medium passing through a fusing process.

[0004] During the above processes, a developing device of the image forming apparatus forms the visible image on the surface of the photoconductive medium by supplying the developer to the photoconductive device. In general, the developing device is structured as an integrated cartridge including a developer storage unit, an electrifying unit, a developing unit and a cleaning unit, and is detachably mounted to a main body of the image forming apparatus.

[0005] Since a life span of the developing device is limited, the developing device has to be replaced when exhausted. In order to favorably operate the image forming apparatus, timely replacement of the developing device is required. For this, a user has to be aware of various information on the developing device as follows.

[0006] The developing device is equipped with a memory unit for storing a variety of information on the operation thereof. The information stored in the memory unit may include a

residual quantity of developer and a remaining life span of component parts.

[0007] The memory unit includes terminals at one side thereof while the main body of the image forming apparatus includes terminals corresponding to the terminals of the memory unit. Upon mounting of the developing device to the image forming apparatus, the memory unit terminals are electrically connected with the image forming apparatus terminals. In a state where the developing device is thus electrically connected to the main body of the image forming apparatus, the image forming apparatus recognizes the information stored in the memory unit, and displays the information for the user or performs any necessary operations using the information and transmits the operation result to the memory unit, thereby updating the information in the memory unit.

[0008] In order for favorable data communication between the developing device and the main body of the image forming apparatus, the memory unit should not be damaged and needs to be mounted at an appropriate position for a stable electric connection with the main body.

[0009] For example, if the memory unit is disposed around a fixing device which generates a lot of heat, the memory unit would be damaged by the heat. If the fixing device is disposed around the photoconductive medium or developing rollers, the terminals of the memory unit would be easily contaminated by developers scattering about from the photoconductive medium or the developing rollers. This will deteriorate the connection between the memory unit and the image forming apparatus. Furthermore, if the memory unit is disposed at a position such as an upper or lower surface of the developing device often interfered with by other component parts in the image forming apparatus when the developing device is mounted, the memory unit terminals are apt to be damaged during mounting of the developing device.

[0010] Moreover, when the memory unit is disposed at a position subject to vibration

[0011] Moreover, when the memory unit is disposed at a position subject to vibration generated from the developing device in operation, the electric connection between the memory unit and the image forming apparatus becomes unstable due to the vibration transmitted to the memory unit.

[0012] US 2005/0078978, JP2003/195723, US 2007/0189781 disclose cartridges incorporating memory unit.

SUMMARY OF THE INVENTION

[0013] The present general inventive concept provides a developing device to prevent damage of a memory unit and poor connection between terminals of the memory unit and a main body of an image forming apparatus, by improving a mounting position of the memory unit, and an image forming apparatus having the same.

[0014] According to the present invention there is provided a developing device and an image forming apparatus as set forth in the appended claims. Other features of the invention will be apparent from the dependent claims, and the description which follows.

BRIEF DESCRIPTION OF THE DRAWINGS

[0015] These and/or other aspects and utilities of the exemplary embodiments of the present general inventive concept will become apparent and more readily appreciated from the following description of the embodiments, taken in conjunction with the accompanying drawings, of which:

FIG. 1 is a perspective view illustrating an image forming apparatus according to an embodiment of the present general inventive concept;

FIG. 2 is a view illustrating a structure of the image forming apparatus illustrated in FIG. 1;

FIG. 3 is a perspective view illustrating a developing device according to an embodiment of the present general inventive concept;

FIG. 4 is a plan view illustrating a portion of a main body of the image forming apparatus and the developing device; and

FIG. 5 is a rear view illustrating the developing device according to an embodiment of the present general inventive concept.

DETAILED DESCRIPTION OF THE PREFERRED EMBODIMENTS

[0016] Reference will now be made in detail to exemplary embodiments of the present general inventive concept, examples of which are illustrated in the accompanying drawings, wherein like reference numerals refer to like elements throughout. The embodiments are described below to explain the present general inventive concept by referring to the figures.

[0017] FIG. 1 is a perspective view illustrating an image forming apparatus according to an embodiment of the present general inventive concept, and FIG. 2 is a view illustrating a structure of the image forming apparatus illustrated in FIG. 1. Referring to the FIG. 1 and FIG. 2, the image forming apparatus 1 includes a main body 10, a printing medium feeding device 20, a laser scanning device 30, a photoconductive medium 40, a developing device 100, a transferring device 50, a fixing device 60, and a printing medium discharging device 70.

[0018] Especially, the present embodiment will be explained regarding a color image forming

apparatus. Therefore, the developing device 100 may include four developing devices 100K, 100C, 100M and 100Y to receive different colors of developers, that is, black (K), cyan (C), magenta (M) and yellow (Y) developers, respectively.

[0019] The main body 10 constitutes an exterior appearance of the image forming apparatus 1 and supports various parts mounted therein. A main body cover 11 is pivotably mounted to one side of the main body 10 to open and close a portion of the main body 10. Through the main body cover 11, a user can obtain access to the inside of the main body 10 for replacement or maintenance of the various parts including the developing devices 100K, 100C, 100M and 100Y.

[0020] The main body cover 11 is disposed at a rear portion of the developing devices 100K, 100C, 100M and 100Y with respect to an arrowed direction A to mount the developing devices 100K, 100C, 100M and 100Y to the main body 10. On an inner surface of the main body cover 11, pressing members 12 are formed to prevent movement of the developing devices 100K, 100C, 100M and 100Y by pressing the developing devices 100K, 100C, 100M and 100Y. More particularly, being protruded from the inner surface of the main body cover 11, the pressing member 12 press both sides of a rear end 101 of each developing device when the main body cover 11 is in a closed state. Here, the pressing members 12 may have predetermined elasticity to press the respective developing devices 100K, 100C, 100M and 100Y.

[0021] The printing medium feeding device 20 includes a cassette 21 to store printing medium S, a pickup roller 22 to pick up the printing medium S from the cassette 21 sheet by sheet, and a feeding roller 23 to carry the picked printing medium toward the transferring device 50.

[0022] The laser scanning device 30 projects a light to the photoconductive medium 40 in accordance with image information, thereby forming an electrostatic latent image on a surface of the photoconductive medium 40.

[0023] The photoconductive medium 40 is rotatably mounted to a photoconductive medium housing 41 which is removably mounted to the main body 10. An electrifying roller 42 is mounted in the photoconductive medium housing 41. Before the light is projected from the laser scanning device 30, the electrifying roller 42 electrifies the photoconductive medium 40 to a predetermined electric potential.

[0024] The developing device 100 supplies the developer to the photoconductive medium 40 bearing the electrostatic latent image thereon, thereby developing the electrostatic latent image into a visible image. The four developing devices 100K, 100C, 100M and 100Y for the respective colors are closely arranged side by side along a rotational direction of the photoconductive medium 40.

[0025] Each of the developing devices 100K, 100C, 100M and 100Y includes a developing device housing 110, a developer storage 120, a supplying roller 130, a developing roller 140 and an agitating member 150. In FIG. 1, only one developing device 100K is given those

reference numerals 110, 120, 130, 140 and 150 for convenience.

[0026] The developing device housing 110 constitutes the exterior appearance of the respective developing devices 100K, 100C, 100M and 100Y and supports various parts mounted therein. The developer storage 120 stores the developer that will be supplied to the photoconductive medium 40. The agitating member 150 is rotatably mounted to the developer storage 120 to mix the developer in the developer storage 120, thereby preventing solidification of the developer, and carry the developer toward the supplying roller 130.

[0027] The supplying roller 130 supplies the developer stored in the developer storage 120 to the developing roller 140. When a developing bias is applied to the developing roller 140, the developing roller 140 forms the visible image by attaching the developer to the surface of the photoconductive medium 40 bearing the electrostatic latent image thereon.

[0028] A restriction member 111 is mounted to one side of an upper surface of the developing device housing 110. The restriction member 111 controls thickness of the developer attached to a surface of the developing roller 140 by the supplying roller 130.

[0029] Additionally, handles 112 are pivotably mounted to both rear sides of the developing device housing 110. When mounting and separating the developing devices 100K, 100C, 100M and 100Y, the user is able to conveniently grip the developing devices 100K, 100C, 100M and 100Y using the handles 112.

[0030] FIG. 3 is a perspective view of the developing device according to an embodiment of the present general inventive concept. FIG. 4 is a plan view illustrating a portion of a main body of the image forming apparatus and the developing device. Although only the developing device 100K storing black developer will be described herein, the following description can actually be applied to the other developing devices 100C, 100M and 100Y in a same manner.

[0031] As illustrated in FIG. 3 and FIG. 4, the developing device 100K includes a driving force reception unit 160 to receive a driving force from the main body 10 of the image forming apparatus 1 (FIG. 2), and a power reception unit 170 transmitted with an electric power from the main body 10. The driving force reception unit 160 and the power reception unit 170 are disposed opposite to each other with respect to a width direction W of the developing device 100K.

[0032] More specifically, the driving force reception unit 160 is supplied with the driving force required for operations of the developing roller 140, the supplying roller 130 (FIG. 2) and the agitating member 150 (FIG. 2). The driving force reception unit 160 is disposed at one side of a front end of the developing device 100K with respect to the mounting direction A of the developing device 100K. The driving force reception unit 160 includes a connecting gear 161 rotatably mounted to the developing device housing 110, and a developing roller driving gear 162 meshed with the connecting gear 161.

[0033] In addition, the main body 10 of the image forming apparatus includes a power transmission gear 81 to transmit a driving power to the developing device 100K. Upon mounting of the developing device 100K to the main body 10, the connecting gear 161 of the developing device 100K is meshed with the power transmission gear 81 as illustrated in FIG. 4. The power transmission gear 81 is rotated by a driving motor (not illustrated) mounted in the main body 10. The connecting gear 161, rotating in mesh with the power transmission gear 81, transmits the driving power to the developing roller driving gear 162 to rotate the developing roller 140. Also, the connecting gear 161 transmits the driving power to the supplying roller 130 (FIG. 2) and the agitating member 150 (FIG. 2), thereby rotating the supplying roller 130 and the agitating member 150.

[0034] The power reception unit 170 is applied with the electric power required to electrify the developing roller 140, the supplying roller 130 or the restriction member 111. Therefore, the power reception unit 170 is disposed at an other side of the front end of the developing device 100K.

[0035] The power reception unit 170 includes first electric contact points 171 exposed to a lateral side of the developing device 100K. A circuit board 90 is provided at the main body 10 of the image forming apparatus 1, adjoining the power reception unit 170. Additionally, the main body 10 includes second electric contact points 82 arranged corresponding to the first electric contact points 171. The second electric contact points 82 are electrically connected with the circuit board 90.

[0036] When the developing device 100K is mounted to the main body 10, the first electric contact points 171 of the developing device 100K are connected to the second electric contact points 82 of the main body 10 as illustrated in FIG. 4. Accordingly, the electric power applied from the circuit board 90 can be transmitted to the developing device 100K through the second and the first electric contact points 82 and 171.

[0037] As illustrated in FIG. 2, the transferring device 50 includes an intermediate transfer belt 51, a first transfer roller 52 and a second transfer roller 53.

[0038] The intermediate transfer belt 51 runs at a same velocity as a linear velocity of the photoconductive medium 40, as being supported by supporting rollers 54 and 55. The first transfer roller 52 faces the photoconductive medium 40 with the intermediate transfer belt 51 disposed therebetween, and transfers the visible image formed on the photoconductive medium 40 to the intermediate transfer belt 51.

[0039] The second transfer roller 53 faces the supporting roller 55 with the intermediate transfer belt 51 disposed therebetween. While the visible image is being transferred from the photoconductive medium 40 to the intermediate transfer belt 51, the second transfer roller 53 is distanced away from the intermediate transfer belt 51. Alternatively, after the image of the photoconductive medium 40 is completely transferred to the intermediate transfer belt 51, the second transfer roller 53 is brought into contact with the intermediate transfer belt 51 by a

predetermined pressure. When the contact between the second transfer roller 53 and the intermediate transfer belt 51 is achieved, the visible image is transferred from the intermediate transfer belt 51 to the printing medium.

[0040] The fixing device 60 includes a heating roller 61 including a heat source, and a pressing roller 62 mounted opposite to the heating roller 61. As the printing medium passes through between the heating roller 61 and the pressing roller 62, the image is fixed to the printing medium by heat transmitted from the heating roller 61 and pressure exerted between the heating roller 61 and the pressing roller 62.

[0041] The printing medium discharging device 70, including a discharging roller 71 and a backup roller 72, discharges the printing medium passed through the fixing device 60 to the outside of the main body 10.

[0042] Hereinafter, the operation of the above-structured image forming apparatus will be briefly described. Upon starting of the printing operation, the surface of the photoconductive medium 40 is electrified uniformly by the electrifying roller 42. On the electrified surface of the photoconductive medium 40, a light corresponding to image information on any one color, for example, information on a yellow image is projected by the laser scanning device 30. Accordingly, an electrostatic latent image corresponding to the yellow image is formed on the photoconductive medium 40.

[0043] Next, the developing bias is applied to the developing roller 140 of the yellow developing device 100Y. Accordingly, the yellow developer is attached to the electrostatic latent image, thereby forming a visible image of yellow color on the photoconductive medium 40. The visible image is transferred to the intermediate transfer belt 51 through the first transfer roller 52.

[0044] After transferring of the yellow image for one page is completed, the laser scanning device 30 now projects a light corresponding to image information on another color, for example, information on a magenta image to the photoconductive medium 40, thereby forming an electrostatic latent image corresponding to the magenta image. The magenta developing device 100M forms a visible image of magenta color by supplying magenta developer to the electrostatic latent image. The magenta visible image formed on the photoconductive medium 40 is transferred to the intermediate transfer belt through the first transfer roller 52. At this time, the magenta visible image is superposed on the yellow visible image previously transferred.

[0045] By performing the same processes as the above with regard to cyan and black, a full-color image wherein the yellow, magenta, cyan and black images are overlapped is formed on the intermediate transfer belt 51. The full-color image is transferred to the printing medium while the printing medium is passing through between the intermediate transfer belt 51 and the second transfer belt 53. Then, the printing medium is passed through the fixing device 60 and the discharging device 70, thereby being discharged out of the main body 10.

[0046] During the above printing processes, the developers stored in the respective developing devices 100K, 100C, 100M and 100Y are consumed and life of the parts such as the developing roller 140 and the supplying roller 130 is gradually exhausted. To this end, the user needs to be aware of various information on the developing devices 100K, 100C, 100M and 100Y so as to timely replace the developing devices 100K, 100C, 100M and 100Y

[0047] As illustrated in FIG. 1 through FIG. 4, the developing devices 100K, 100C, 100M and 100Y each include a memory unit 180 to store various usage information. For example, the memory unit 180 may store information on individual operation history of the developing devices 100K, 100C, 100M and 100Y, a residual quantity of the developer and a remaining life span of the component parts such as the developing roller 140 and the supplying roller 130.

[0048] The memory unit 180 includes terminals 181 for electric connection with a power unit provided to the main body 10, for example, the circuit board 90. The main body 10 includes terminal contact points 13 for contact with the terminals 181. The terminal contact points 13 are formed at the main body cover 11 disposed at the rear portion of the developing devices 100K, 100C, 100M and 100Y, and electrically connected with the circuit board 90 through a harness (not illustrated). The terminal contact points 13 may have a predetermined elasticity for efficient contact with the terminals 181.

[0049] Hereinafter, the memory unit 180 of the black developing device 100K will be described as an example. However, the following description can actually be applied to the memory units 180 of the other developing devices 100C, 100M and 100Y in the same manner.

[0050] FIG. 5 illustrates a rear side of the developing device according to an embodiment of the present general inventive concept. As illustrated in FIG. 1 through FIG. 5, the memory unit 180 is disposed at a rear end of the developing device 100K with respect to the direction A to mount the developing device 100K to the main body 10. The terminals 181 of the memory unit 180 are exposed to the outside through a rear end 101 of the developing device 100K.

[0051] When the memory unit 180 is mounted in this way, the memory unit 180 is disposed at a distance from the fixing device 60, the photoconductive medium 40 and the developing roller 140 as illustrated in FIG. 2. As a result, damage of the memory unit 180 by high heat can be prevented and contamination of the terminals 181 by the developer scattering about can also be prevented. Furthermore, since the terminals 181 of the memory unit 180 are at the rear side of the developing device 100K, interference with other parts is reduced. Therefore, the terminals 181 will not be damaged while mounting and separating the developing device 100K with respect to the main body 10.

[0052] In addition, referring to FIGS. 4 and 5, the position of the memory unit 180 is biased to one side from a middle C of a width of the developing device 100K. More specifically, the memory unit 180 is biased to the left in FIG. 4 and FIG. 5 such that the terminals 181 are disposed relatively close to the power reception unit 170 compared with the driving force

reception unit 160.

[0053] When the memory unit 180 is thus disposed relatively far from the driving force reception unit 160, the memory unit 180 would not be too affected by the vibration generated during transmission of the driving force from the main body 10 to the driving force reception unit 160. Accordingly, the connection between the terminals 181 and the terminal contact points 13 can be stably maintained.

[0054] In addition, by disposing the memory unit 180 relatively close to the power reception unit 170, the position of the terminal contact points 13 of the main body cover 11 is biased toward the circuit board 90. Therefore, a length of the harness connecting the terminal contact points 13 can be reduced. As a result, cost for the harness can be saved while reducing adverse effects of electromagnetic waves generated around the harness.

[0055] As illustrated in FIG. 5, more specifically, the terminals 181 of the memory unit 180 include first through fourth terminals 181 a, 181b, 181c and 181d arranged in the width direction W of the developing device 100K.

[0056] The first terminal 181a is a data communication terminal for information exchange with a control unit (not illustrated) provided at the main body 10 of the image forming apparatus. The control unit (not illustrated) of the image forming apparatus reads necessary information from the memory unit 180 or stores new information in the memory unit 180 through the first terminal 181 a.

[0057] The second terminal 181 b is a grounding terminal to ground the memory unit 180. The third terminal 181c is a power terminal to apply the electric power to the memory unit 180. The fourth terminal 181d is a clock terminal to transmit clock signals to the memory unit 180.

[0058] For example, among the four terminals 181 a, 181 b, 181c and 181d, the first terminal 181a is disposed farthest from the driving force reception unit 160 of the developing device 100K. As illustrated in FIG. 4, when the driving force reception unit 160 is on the right of the developing device 100K, the first terminal 181a is at a leftmost position among the four terminals.

[0059] The reason of disposing the first terminal 181 a as far as possible from the driving force reception unit 160 is to restrain a data transmission error caused by the vibration from the driving force reception unit 160.

[0060] Among the four terminals 181a, 181b, 181c and 181d, the second terminal 181 b, for example may be at a closest position to the driving force reception unit 160. That is, when the driving force reception unit 160 is on the right of the developing device 100K as illustrated in FIG. 4, the second terminal 181b is at a rightmost position among the four terminals.

[0061] The second terminal 181b, which is the grounding terminal, contacts the terminal

contact point 13 of the main body cover 11 without a function of transceiving certain information or signals. Therefore, although the second terminal 181 b is most affected by the vibration since being disposed close to the driving force reception unit 160, a chance of an operational error by the poor connection would be reduced.

[0062] However, considering that the vibration affects the second terminal 181 b most, the second terminal 181 b may have a larger area than other terminals 181 a, 181 c and 181d.

[0063] As apparent from the above description, in accordance with a developing device according to various embodiments of the present general inventive concept, damage and contamination of a memory unit can be prevented by disposing the memory unit at a rear end of the developing device.

[0064] In addition, the memory unit is disposed at a position subject to less vibration transmitted from a driving force reception unit of the developing device. Also, terminals of the memory unit are disposed at proper positions in consideration of a respective function of each terminal so that an operational error caused by poor connection of the terminals can be minimized.

[0065] According to various embodiments of the present general inventive concept, since contact points of terminals connected to a memory unit are disposed near a circuit board that supplies an electric power to a developing device, a length of a harness connecting the contact points with the circuit board can be reduced. As a result, cost of parts can be saved while restraining adverse effects of electromagnetic waves generated around the harness.

[0066] Although the color image forming apparatus having a plurality of developing devices has been described so far, the present general inventive concept is not limited to the color image forming apparatus. That is, the present general inventive concept is also applicable to a black-and-white image forming apparatus having a single developing device.

[0067] Although a few preferred embodiments have been shown and described, it will be appreciated by those skilled in the art that various changes and modifications might be made without departing from the scope of the invention, as defined in the appended claims.

REFERENCES CITED IN THE DESCRIPTION

This list of references cited by the applicant is for the reader's convenience only. It does not form part of the European patent document. Even though great care has been taken in compiling the references, errors or omissions cannot be excluded and the EPO disclaims all liability in this regard.

Patent documents cited in the description

- US20050078978A [0012]
- JF2003195723A [0012]
- US20070189781A [0012]

Patentkrav

1. Fremkaldelsesindretning, der kan anvendes sammen med et billeddannelsesapparat (1), der omfatter et lysledende medium, hvilken fremkaldelsesindretning (100) omfatter:

5 en drivkraft-modtageenhed (160), der er anbragt ved den ene side af en forende af fremkaldelsesindretningen (100) til at modtage en drivkraft fra billeddannelsesapparatet (1); og en strøm-modtageenhed (170), der er anbragt ved en anden side af forenden af fremkaldelsesindretningen (100) til at modtage en elektrisk strøm fra
10 billeddannelsesapparatet (1); en hukommelsesenhed (180), som omfatter en flerhed af terminaler (181a-d),
 hvor flerheden af terminaler (181a-d) er eksternt eksponeret igennem, og anbragt ved, en bagende af fremkaldelsesindretningen (100) i forhold til en monteringsretning for fremkaldelsesindretningen (100) ind i billeddannelsesapparatet (1) og kan forbindes via
15 kontakt med terminalkontaktpunkter (13), der er dannet på et hovedlegemedæksel af billeddannelsesapparatet (1),
 hvor flerheden af terminaler (181a-d) er anbragt tættere på strøm-modtageenheden (170) end drivkraft-modtageenheden (160); og
 hvor en fremkaldelsesvalse (140) er anbragt ved forenden af fremkaldelsesindretningen (100) og er indrettet til at tilføre fremkalder til det lysledende medium (40), som er
20 tilvejebragt i billeddannelsesapparatet (1), hvor en første terminal (181a) til datakommunikation er anbragt længere væk fra drivkraft-modtageenheden (160) end mindst én af de andre terminaler (181), og
 en anden terminal (181b), der er indrettet til at tilvejebringe jording af hukommelsesenheden (180) uden funktion til transeivering af bestemte oplysninger eller
25 signaler, er anbragt tættere på drivkraft-modtageenheden (160) end den første terminal (181).

2. Fremkaldelses indretning (100) ifølge krav 1, hvor flerheden af terminaler (181a-d) i hukommelsesenheden (180) er placeret til den ene side af midten af en bredde af en overflade,
30 der er vinkelret på fremkaldelsesindretningens (100) monteringsretning.

3. Fremkaldelsesindretning (100) ifølge krav 1, hvor flerheden af terminaler (181) omfatter:
 en tredje terminal (181c) til at tilvejebringe strøm til hukommelsesenheden (180) og en fjerde terminal (181d) til at tilvejebringe kloksignaler til hukommelsesenheden (180),

som er anbragt sekventielt imellem den første terminal (181) og den anden terminal (181b).

4. Fremkaldelsesindretning (100) ifølge krav 1, hvor flerheden af terminaler (181) omfatter:
5 en tredje terminal (181d) til at tilvejebringe kloksignaler til hukommelsesenheden (180) som er anbragt imellem den første terminal (181) og den anden terminal (181b).
5. Fremkaldelsesindretning (100) ifølge krav 2, hvor terminalerne (181) omfatter:
10 en første terminal (181) til datakommunikation og en anden terminal (181d) til tilvejebringelse af kloksignaler til hukommelsesenheden (180), hvor den første terminal (181) er anbragt relativt tættere på strøm-modtageenheden (170), og den anden terminal (181d) er anbragt relativt tættere på drivkraft-modtageenheden (160).
6. Fremkaldelsesindretning (100) ifølge et hvilket som helst af kravene 1 eller 3 til 5, hvor
15 flerheden af terminaler (181a-d) i hukommelsesenheden (180) er, i brug, anbragt vertikalt på en bund af fremkaldelsesindretningen (100).
7. Fremkaldelsesindretning (100) ifølge et hvilket som helst af kravene 1 til 6, hvor fremkaldelsesindretningen er indrettet til at modtage trykelementer, der er dannet på en indre
20 overflade af et hovedlegemedæksel på billeddannelsesapparatet, for at forhindre bevægelse af fremkaldelsesindretningen.
8. Fremkaldelsesindretning (100) ifølge et hvilket som helst af kravene 1 eller 3 til 5, hvor flerheden af terminaler (181a-d) i hukommelsesenheden (180) er, i brug, anbragt i et vertikalt
25 plan ved bagenden af fremkaldelsesindretningen (100).
9. Fremkaldelsesindretning (100) ifølge et hvilket som helst af kravene 1 til 8, hvor fremkaldelsesindretningen endvidere omfatter håndtag (112), der er monteret i begge sider af fremkaldelsesindretningens (100) bagende, til på- eller afmontering af
30 fremkaldelsesindretningen (100).
10. Fremkaldelsesindretning (100) ifølge krav 3, hvor den anden terminal (181b) har et større areal end andre terminaler.

11. Billeddannelsesapparat (1), som omfatter:

et hovedlegeme (10), som indbefatter et dæksel (11); og
en fremkaldelsesindretning (100), der er aftageligt monteret i hovedlegemet (10) af
billeddannelsesapparatet (1), hvor fremkaldelsesindretningen (100) indbefatter en
5 drivkraft-modtageenhed (160), der er anbragt ved den ene side af
fremkaldelsesindretningen (100) til at modtage en drivkraft fra billeddannelsesapparatet
(1), og en strøm-modtageenhed (170), der er anbragt på en anden side af
fremkaldelsesindretningen (100) til at modtage en elektrisk strøm fra
billeddannelsesapparatet (1), og

10 **kendetegnet ved, at** den omfatter en flerhed af terminaler (181a-d) i en
hukommelsesenhed (180), som er eksternt eksponeret igennem, og anbragt ved, en
bagende af fremkaldelsesindretningen (100) i forhold til en monteringsretning af
fremkaldelsesindretningen (100) til billeddannelsesapparatet (1), hvor flerheden af
terminaler (181a-d) er anbragt tættere på strøm-modtageenheden (170) end drivkraft-
15 modtageenheden (160); og
hvor en fremkaldelsesvalse (140) er anbragt ved en forende af
fremkaldelsesindretningen (100) og er indrettet til at tilføre fremkalder til et lysledende
medium (40), som er tilvejebragt i billeddannelsesapparatet (1), hvor apparatet (1)
endvidere er indrettet på en sådan måde, at
20 hukommelsesenheden (180) tilgås af billeddannelsesapparatets (1) hovedlegeme (10),
når dækslet (11) er lukket, og
der etableres en elektrisk forbindelse mellem hukommelsesenheden (180) og
hovedlegemet (10), når dækslet (11) er lukket.

25 **12.** Billeddannelsesapparat ifølge krav 11, som omfatter fire fremkaldelsesindretninger (100Y,
100M, 100C, 100K), hvor en sort fremkaldelsesindretning (100K) er længere end de øvrige
fremkaldelsesindretninger.

DRAWINGS

FIG. 1

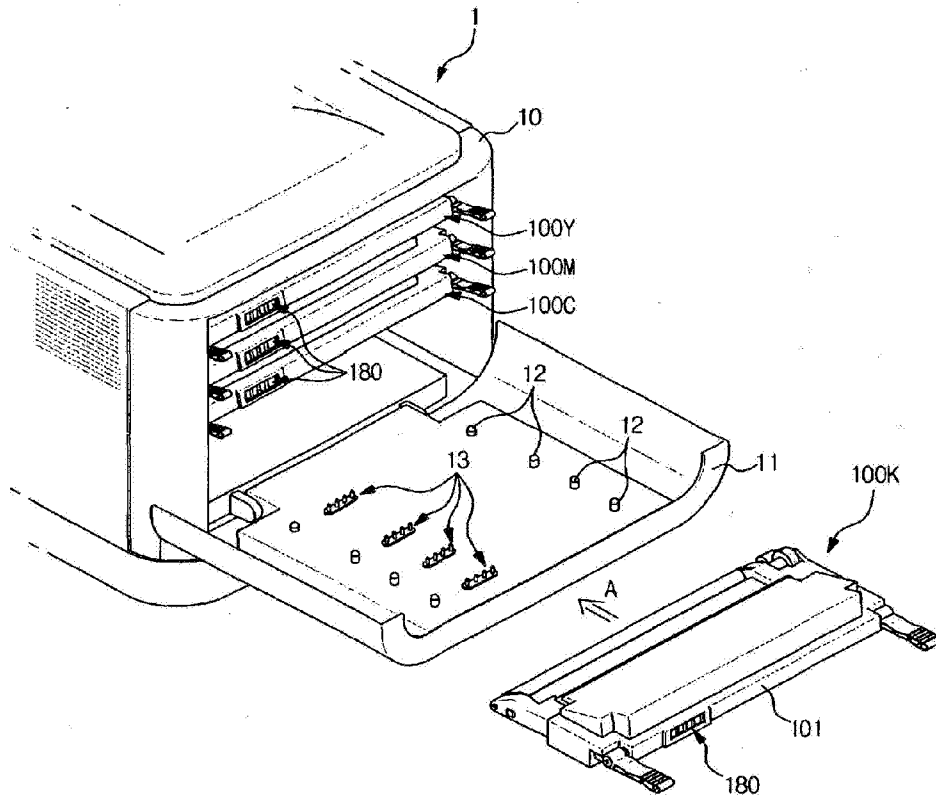


FIG. 2

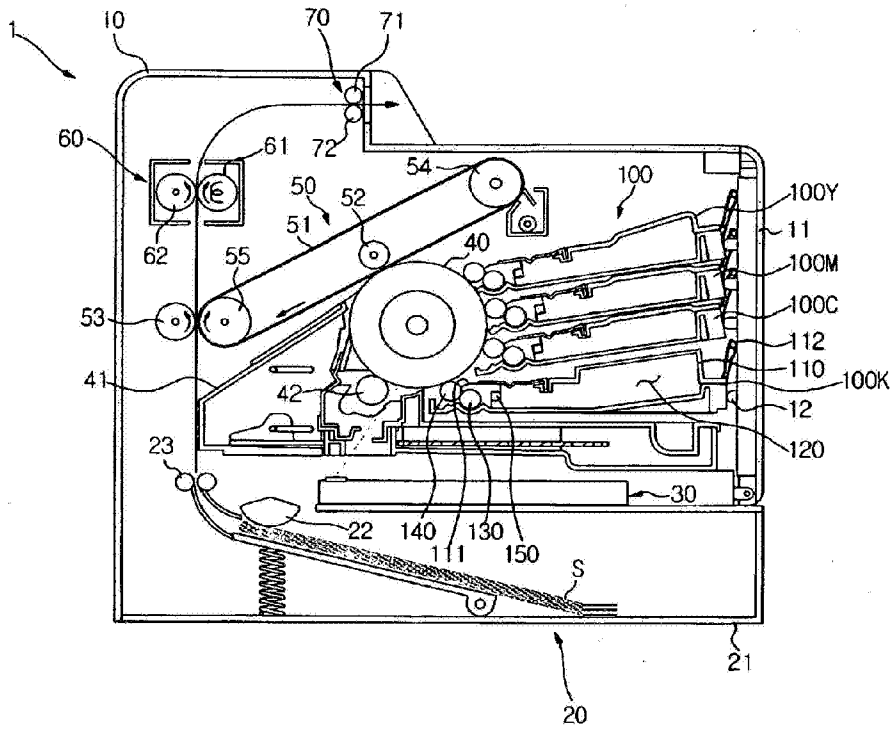


FIG. 3

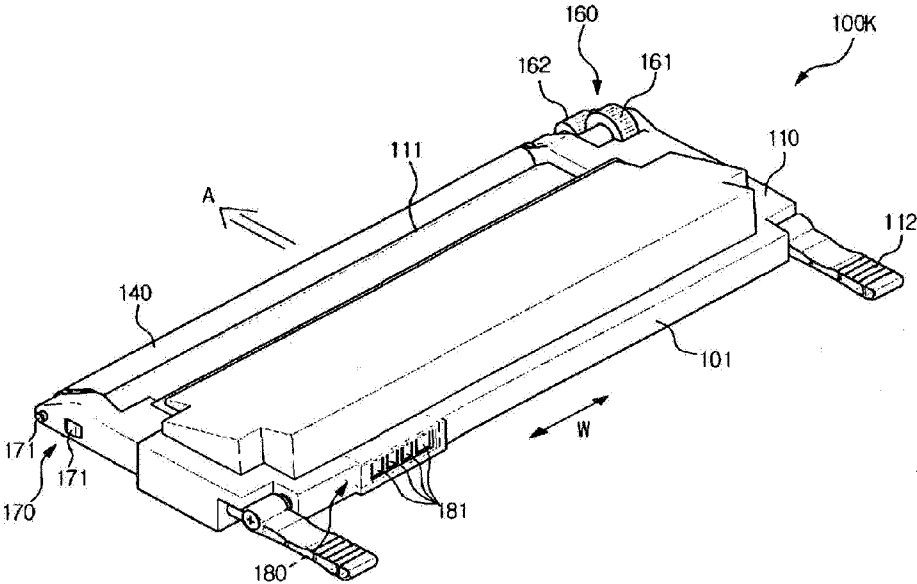


FIG. 4

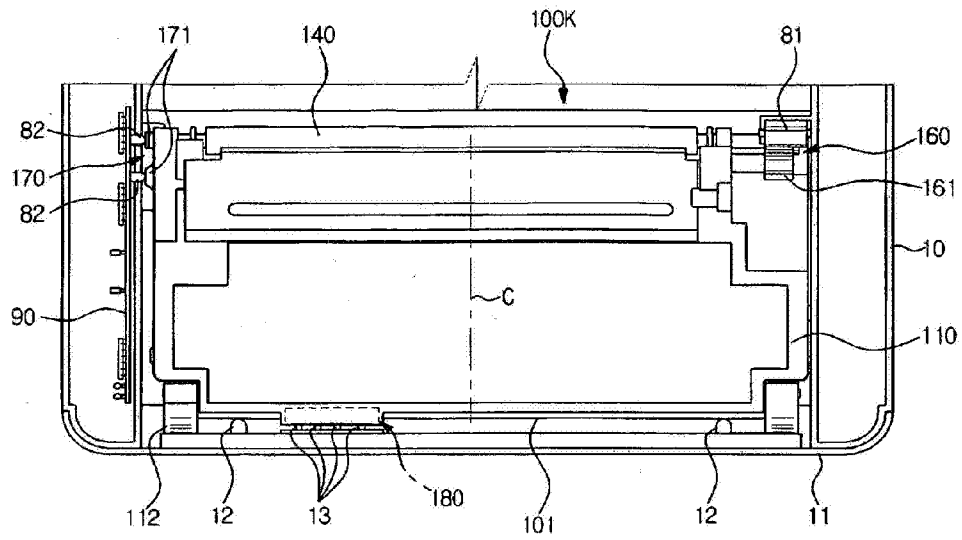


FIG. 5

