

DESIGN.

J. WADE,
CHAIR.

APPLICATION FILED APR. 23, 1917.

Patented June 12, 1917.

50,924.

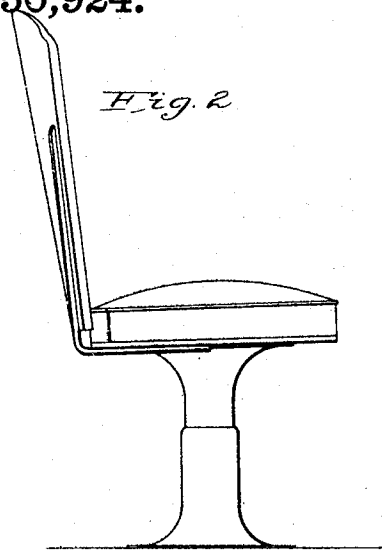


Fig. 1

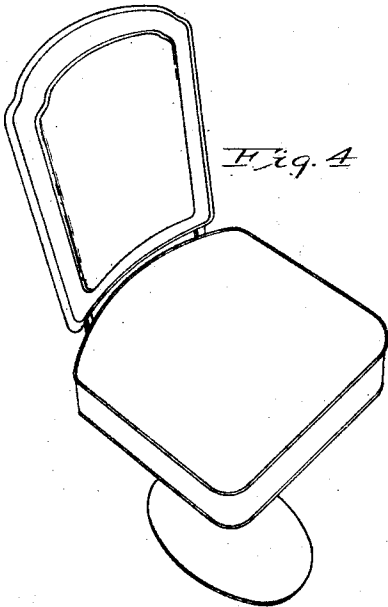
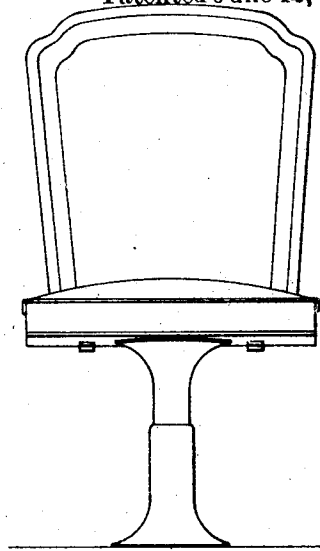
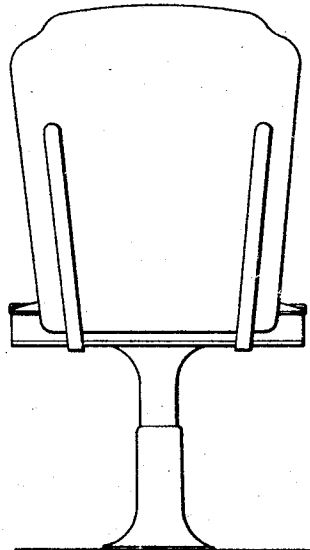


Fig. 3



Inventor
John Wade

by Habaswell, Atty.

UNITED STATES PATENT OFFICE.

JOHN WADE, OF ST. PAUL, MINNESOTA.

DESIGN FOR A CHAIR.

50,924.

Specification for Design.

Patented June 12, 1917.

Application filed April 23, 1917. Serial No. 164,064. Term of patent 7 years.

To all whom it may concern:

Be it known that I, JOHN WADE, a subject of the King of Great Britain, residing in the city of St. Paul, county of Ramsey, and State of Minnesota, have invented a new, original, and ornamental Design for Chairs, of which the following is a specification, reference being had to the accompanying drawing, forming part thereof.

Figure 1 is a front elevation of a chair showing my new design; Fig. 2 is a side ele-

vation thereof; Fig. 3 is a rear view of the same and Fig. 4 is a perspective view of said chair.

I claim:

The ornamental design for a chair, as shown.

JOHN WADE.

Witnesses:

T. J. KENNEDY, Jr.,
F. C. CASWELL.

Copies of this patent may be obtained for five cents each, by addressing the "Commissioner of Patents, Washington, D. C."