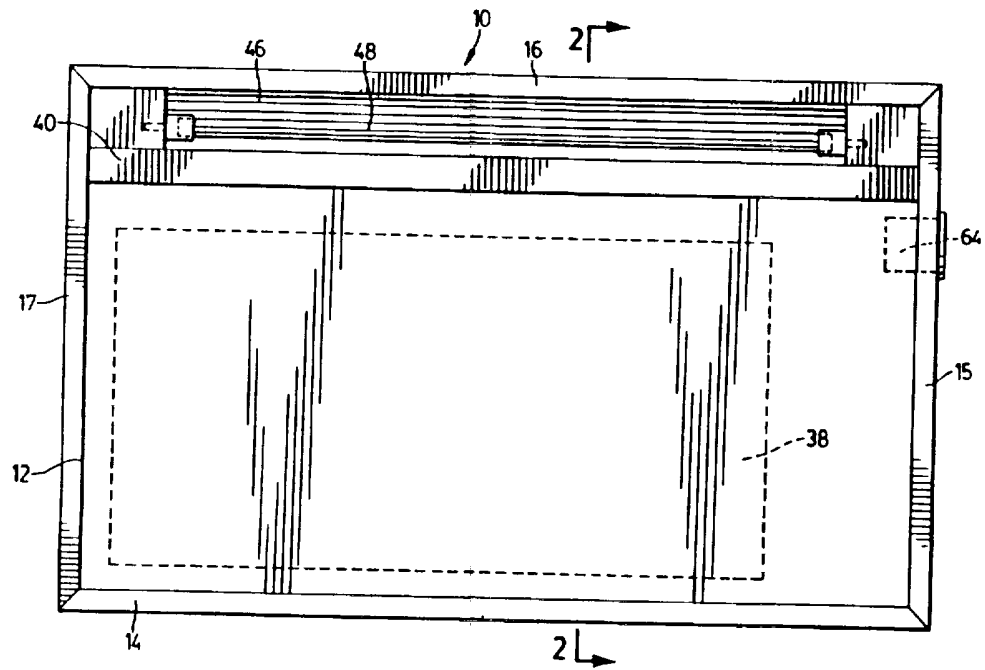




INTERNATIONAL APPLICATION PUBLISHED UNDER THE PATENT COOPERATION TREATY (PCT)

<p>(51) International Patent Classification ⁵ : F24C 7/06</p>	<p>A3</p>	<p>(11) International Publication Number: WO 93/14351 (43) International Publication Date: 22 July 1993 (22.07.93)</p>
<p>(21) International Application Number: PCT/CA93/00007 (22) International Filing Date: 8 January 1993 (08.01.93) (30) Priority data: 2059417 15 January 1992 (15.01.92) CA (71)(72) Applicants and Inventors: NELSON, Thomas, Morgan [US/CA]; 10923 - 89 Avenue, Edmonton, Alberta T6G 2N9 (CA). ARNT, Per, Bernard [DK/CA]; 12368 - 132 Street, Edmonton, Alberta T5L 1P8 (CA). (74) Agent: RIEDER, Thomas, T.; Sim & McBurney, 330 University Avenue, Suite 701, Toronto, Ontario M5G 1R7 (CA).</p>	<p>(81) Designated States: AT, AU, BB, BG, BR, CA, CH, CZ, DE, DK, ES, FI, GB, HU, JP, KP, KR, LK, LU, MG, MN, MW, NL, NO, NZ, PL, RO, RU, SD, SE, SK, US, European patent (AT, BE, CH, DE, DK, ES, FR, GB, GR, IE, IT, LU, MC, NL, PT, SE), OAPI patent (BF, BJ, CF, CG, CI, CM, GA, GN, ML, MR, SN, TD, TG).</p> <p>Published <i>With international search report. Before the expiration of the time limit for amending the claims and to be republished in the event of the receipt of amendments.</i></p> <p>(88) Date of publication of the international search report: 10 November 1994 (10.11.94)</p>	

(54) Title: LOCALIZED HEATING UNIT FOR DESKS



(57) Abstract

A heating unit includes a frame and a substantially flat radiant heating surface supported by the frame. A generally parabolic trough with a reflective inner surface is mounted along one edge of the periphery of the heating surface, and contains an elongate heating element. Further, a reflective flap is hingedly mounted adjacent the trough but remote from the heating surface, disposed so that at least a portion of the radiant energy reflected out of the trough by the reflective inner surface is re-reflected by the flap, depending upon its angulation with respect to the heating surface.

FOR THE PURPOSES OF INFORMATION ONLY

Codes used to identify States party to the PCT on the front pages of pamphlets publishing international applications under the PCT.

AT	Austria	GB	United Kingdom	MR	Mauritania
AU	Australia	GE	Georgia	MW	Malawi
BB	Barbados	GN	Guinea	NE	Niger
BE	Belgium	GR	Greece	NL	Netherlands
BF	Burkina Faso	HU	Hungary	NO	Norway
BG	Bulgaria	IE	Ireland	NZ	New Zealand
BJ	Benin	IT	Italy	PL	Poland
BR	Brazil	JP	Japan	PT	Portugal
BY	Belarus	KE	Kenya	RO	Romania
CA	Canada	KG	Kyrgyzstan	RU	Russian Federation
CF	Central African Republic	KP	Democratic People's Republic of Korea	SD	Sudan
CG	Congo	KR	Republic of Korea	SE	Sweden
CH	Switzerland	KZ	Kazakhstan	SI	Slovenia
CI	Côte d'Ivoire	LI	Liechtenstein	SK	Slovakia
CM	Cameroon	LK	Sri Lanka	SN	Senegal
CN	China	LU	Luxembourg	TD	Chad
CS	Czechoslovakia	LV	Latvia	TG	Togo
CZ	Czech Republic	MC	Monaco	TJ	Tajikistan
DE	Germany	MD	Republic of Moldova	TT	Trinidad and Tobago
DK	Denmark	MG	Madagascar	UA	Ukraine
ES	Spain	ML	Mali	US	United States of America
FI	Finland	MN	Mongolia	UZ	Uzbekistan
FR	France			VN	Vict Nam
GA	Gabon				

INTERNATIONAL SEARCH REPORT

International Application No

PCT/CA 93/00007

I. CLASSIFICATION OF SUBJECT MATTER (if several classification symbols apply, indicate all) ⁶		
According to International Patent Classification (IPC) or to both National Classification and IPC		
Int.Cl. 5 F24C7/06		
II. FIELDS SEARCHED		
Minimum Documentation Searched ⁷		
Classification System	Classification Symbols	
Int.Cl. 5	F24C	
Documentation Searched other than Minimum Documentation to the Extent that such Documents are Included in the Fields Searched ⁸		
III. DOCUMENTS CONSIDERED TO BE RELEVANT⁹		
Category ¹⁰	Citation of Document, ¹¹ with indication, where appropriate, of the relevant passages ¹²	Relevant to Claims No. ¹³
A	FR,A,2 328 162 (SEB) 13 May 1977 see claim 1; figures ---	1
A	DE,B,1 095 493 (VOIGT) 22 December 1960 see the whole document ---	1
A	FR,A,975 320 (NIESTLE) 5 March 1951 -----	
<p>¹⁰ Special categories of cited documents :</p> <p>"A" document defining the general state of the art which is not considered to be of particular relevance</p> <p>"E" earlier document but published on or after the international filing date</p> <p>"L" document which may throw doubts on priority claim(s) or which is cited to establish the publication date of another citation or other special reason (as specified)</p> <p>"O" document referring to an oral disclosure, use, exhibition or other means</p> <p>"P" document published prior to the international filing date but later than the priority date claimed</p> <p>"T" later document published after the international filing date or priority date and not in conflict with the application but cited to understand the principle or theory underlying the invention</p> <p>"X" document of particular relevance; the claimed invention cannot be considered novel or cannot be considered to involve an inventive step</p> <p>"Y" document of particular relevance; the claimed invention cannot be considered to involve an inventive step when the document is combined with one or more other such documents, such combination being obvious to a person skilled in the art.</p> <p>"A" document member of the same patent family</p>		
IV. CERTIFICATION		
Date of the Actual Completion of the International Search	Date of Mailing of this International Search Report	
15 SEPTEMBER 1993	24. 09. 93	
International Searching Authority	Signature of Authorized Officer	
EUROPEAN PATENT OFFICE	VANHEUSDEN J.	

**ANNEX TO THE INTERNATIONAL SEARCH REPORT
ON INTERNATIONAL PATENT APPLICATION NO.**

CA 9300007
SA 69000

This annex lists the patent family members relating to the patent documents cited in the above-mentioned international search report.
The members are as contained in the European Patent Office EDP file on
The European Patent Office is in no way liable for these particulars which are merely given for the purpose of information. 15/09/93

Patent document cited in search report	Publication date	Patent family member(s)	Publication date
FR-A-2328162	13-05-77	None	
DE-B-1095493		None	
FR-A-975320		None	