

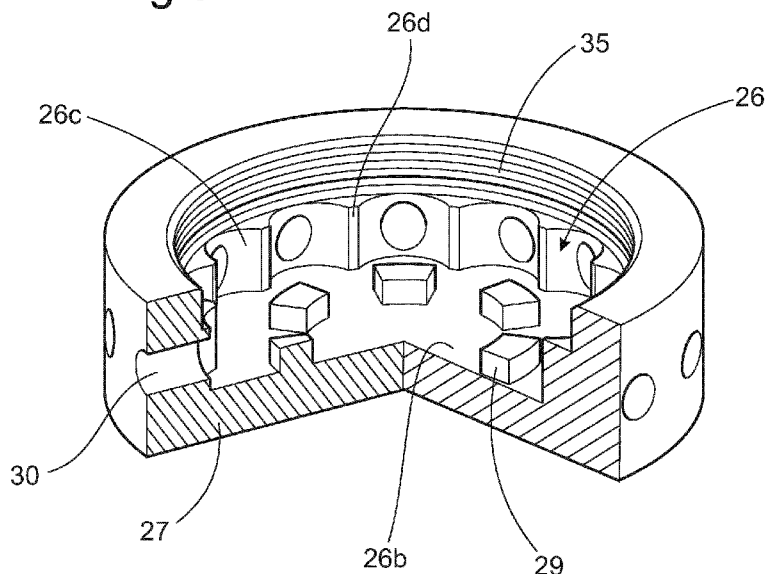


- (51) International Patent Classification:
E21B 34/08 (2006.01) *E21B 43/12* (2006.01)
- (21) International Application Number:
PCT/EP2011/067058
- (22) International Filing Date:
29 September 2011 (29.09.2011)
- (25) Filing Language: English
- (26) Publication Language: English
- (30) Priority Data:
PCT/EP2011/050471
14 January 2011 (14.01.2011) EP
- (71) Applicant (for all designated States except US):
STATOIL PETROLEUM AS [NO/NO]; Stavanger Norway, N-4035 Stavanger (NO).
- (72) Inventors; and
- (75) Inventors/Applicants (for US only): AAKRE, Haavard [NO/NO]; Lille Einaren 21, N-3744 Skien (NO). MATHIESEN, Vidar [NO/NO]; Øvaldvegen 14, N-3944 Porsgrunn (NO). WERSWICK, Bjørnar [NO/NO]; Barnaesens 24, N-3970 Langesund (NO).
- (74) Agent: ASQUITH, Julian; Marks & Clerk LLP, 4220 Nash Court Oxford Business Park South, Oxford Oxfordshire OX4 2RU (GB).
- (81) Designated States (unless otherwise indicated, for every kind of national protection available): AE, AG, AL, AM, AO, AT, AU, AZ, BA, BB, BG, BH, BR, BW, BY, BZ, CA, CH, CL, CN, CO, CR, CU, CZ, DE, DK, DM, DO, DZ, EC, EE, EG, ES, FI, GB, GD, GE, GH, GM, GT, HN, HR, HU, ID, IL, IN, IS, JP, KE, KG, KM, KN, KP, KR, KZ, LA, LC, LK, LR, LS, LT, LU, LY, MA, MD, ME, MG, MK, MN, MW, MX, MY, MZ, NA, NG, NI, NO, NZ, OM, PE, PG, PH, PL, PT, QA, RO, RS, RU, RW, SC, SD, SE, SG, SK, SL, SM, ST, SV, SY, TH, TJ, TM, TN, TR, TT, TZ, UA, UG, US, UZ, VC, VN, ZA, ZM, ZW.
- (84) Designated States (unless otherwise indicated, for every kind of regional protection available): ARIPO (BW, GH, GM, KE, LR, LS, MW, MZ, NA, RW, SD, SL, SZ, TZ, UG, ZM, ZW), Eurasian (AM, AZ, BY, KG, KZ, MD, RU, TJ, TM), European (AL, AT, BE, BG, CH, CY, CZ, DE, DK, EE, ES, FI, FR, GB, GR, HR, HU, IE, IS, IT, LT, LU, LV, MC, MK, MT, NL, NO, PL, PT, RO, RS, SE, SI, SK, SM, TR), OAPI (BF, BJ, CF, CG, CI, CM, GA, GN, GQ, GW, ML, MR, NE, SN, TD, TG).

[Continued on next page]

(54) Title: AUTONOMOUS VALVE

Fig.3



(57) Abstract: The invention relates to a method and apparatus for of controlling the flow of a fluid. The fluid comprises a liquid phase and a dissolved gas phase. The fluid passes through a valve: the valve comprising a fluid inlet and a movable body located in a flow path through the valve, the movable body being arranged to move freely relative to the opening of the inlet to vary the flow-through area through which the fluid flows by means of the Bernoulli effect. The dimensions of the valve are such that flow of the fluid past the movable body causes a drop in pressure to below the bubble point of the gas phase in the liquid phase, thereby increasing flow of the fluid through the valve.

WO 2012/095196 A3



Published:

(88) Date of publication of the international search report:

26 October 2012

- *with international search report (Art. 21(3))*
- *before the expiration of the time limit for amending the claims and to be republished in the event of receipt of amendments (Rule 48.2(h))*

INTERNATIONAL SEARCH REPORT

International application No
PCT/EP2011/067058

A. CLASSIFICATION OF SUBJECT MATTER
INV. E21B34/08 E21B43/12
ADD.
According to International Patent Classification (IPC) or to both national classification and IPC

B. FIELDS SEARCHED
Minimum documentation searched (classification system followed by classification symbols)
E21B
Documentation searched other than minimum documentation to the extent that such documents are included in the fields searched

Electronic data base consulted during the international search (name of data base and, where practicable, search terms used)
EPO-Internal, WPI Data

| C. DOCUMENTS CONSIDERED TO BE RELEVANT | | |
|--|--|-----------------------|
| Category* | Citation of document, with indication, where appropriate, of the relevant passages | Relevant to claim No. |
| X | WO 2010/053378 A2 (STATOIL ASA [NO]; OEVLAND SIGBJOERN [NO]) 14 May 2010 (2010-05-14) the whole document clarity objection claim 1 and 17 ----- | 1-17 |
| A | WO 98/20231 A1 (PETROENERGY LLC [US]) 14 May 1998 (1998-05-14) page 8, line 10 - page 9, line 5; figures 1-3 page 9, line 22 - page 16, line 21 device 1 is provided with means for transformation of the formation fluid into a finely-dispersed gas-liquid flow. ----- -/-- | 1-17 |

Further documents are listed in the continuation of Box C.

See patent family annex.

- * Special categories of cited documents :
- "A" document defining the general state of the art which is not considered to be of particular relevance
 - "E" earlier application or patent but published on or after the international filing date
 - "L" document which may throw doubts on priority claim(s) or which is cited to establish the publication date of another citation or other special reason (as specified)
 - "O" document referring to an oral disclosure, use, exhibition or other means
 - "P" document published prior to the international filing date but later than the priority date claimed
 - "T" later document published after the international filing date or priority date and not in conflict with the application but cited to understand the principle or theory underlying the invention
 - "X" document of particular relevance; the claimed invention cannot be considered novel or cannot be considered to involve an inventive step when the document is taken alone
 - "Y" document of particular relevance; the claimed invention cannot be considered to involve an inventive step when the document is combined with one or more other such documents, such combination being obvious to a person skilled in the art
 - "&" document member of the same patent family

| | |
|--|--|
| Date of the actual completion of the international search 28 August 2012 | Date of mailing of the international search report 04/09/2012 |
| Name and mailing address of the ISA/ European Patent Office, P.B. 5818 Patentlaan 2 NL - 2280 HV Rijswijk Tel. (+31-70) 340-2040, Fax: (+31-70) 340-3016 | Authorized officer van Berlo, André |

INTERNATIONAL SEARCH REPORT

International application No
PCT/EP2011/067058

| C(Continuation). DOCUMENTS CONSIDERED TO BE RELEVANT | | |
|--|--|-----------------------|
| Category* | Citation of document, with indication, where appropriate, of the relevant passages | Relevant to claim No. |
| X,P | MATHIESEN V ET AL: "The Autonomous RCP Valve - new Technology for inflow control in horizontal wells", SPE OFFSHORE EUROPE OIL AND GAS CONFERENCE AND EXHIBITION,, 6 September 2011 (2011-09-06), pages 1-10, XP007919559, [retrieved on 2011-10-10] the whole document | 1,17 |
| A | ----- WO 2008/004875 A1 (NORSK HYDRO AS [NO]; AAKRE HAAVARD [NO]; MATHIESEN VIDAR [NO]) 10 January 2008 (2008-01-10) cited in the application figure 5 the whole document figures 1,2 | 1-17 |
| A | ----- US 2003/094283 A1 (IVANNIKOV VLADIMIR IVANOVICH [RU] ET AL) 22 May 2003 (2003-05-22) the whole document liftgas production of oil-wells ----- | 1,17 |

INTERNATIONAL SEARCH REPORT

Information on patent family members

International application No

PCT/EP2011/067058

| Patent document cited in search report | Publication date | Patent family member(s) | Publication date | |
|--|------------------|-------------------------|------------------|------------|
| WO 2010053378 | A2 | 14-05-2010 | CA 2742952 A1 | 14-05-2010 |
| | | | GB 2477686 A | 10-08-2011 |
| | | | US 2011290326 A1 | 01-12-2011 |
| | | | WO 2010053378 A2 | 14-05-2010 |
| ----- | | | | |
| WO 9820231 | A1 | 14-05-1998 | AU 3893797 A | 29-05-1998 |
| | | | ID 18571 A | 23-04-1998 |
| | | | NZ 329097 A | 23-12-1998 |
| | | | US 5752570 A | 19-05-1998 |
| | | | US 6173784 B1 | 16-01-2001 |
| | | | WO 9820231 A1 | 14-05-1998 |
| ----- | | | | |
| WO 2008004875 | A1 | 10-01-2008 | AU 2007270180 A1 | 10-01-2008 |
| | | | CA 2657209 A1 | 10-01-2008 |
| | | | CN 101490360 A | 22-07-2009 |
| | | | EA 200900161 A1 | 30-06-2009 |
| | | | EC SP099075 A | 27-02-2009 |
| | | | EP 2049766 A1 | 22-04-2009 |
| | | | NO 331004 B1 | 05-09-2011 |
| | | | NZ 574261 A | 30-03-2012 |
| | | | US 2009218103 A1 | 03-09-2009 |
| | | | WO 2008004875 A1 | 10-01-2008 |
| | | | ZA 200900844 A | 30-12-2009 |
| ----- | | | | |
| US 2003094283 | A1 | 22-05-2003 | AU 4893901 A | 30-10-2001 |
| | | | US 2003094283 A1 | 22-05-2003 |
| | | | WO 0179656 A1 | 25-10-2001 |
| ----- | | | | |