

(19) World Intellectual Property Organization
International Bureau



(43) International Publication Date
11 November 2004 (11.11.2004)

PCT

(10) International Publication Number
WO 2004/096295 A3

(51) International Patent Classification⁷: **A61M 5/178**

(21) International Application Number:
PCT/US2004/013739

(22) International Filing Date: 23 April 2004 (23.04.2004)

(25) Filing Language: English

(26) Publication Language: English

(30) Priority Data:
60/466,005 25 April 2003 (25.04.2003) US
60/540,421 30 January 2004 (30.01.2004) US

(71) Applicant (for all designated States except US): **TYCO HEALTHCARE GROUP LP** [US/US]; 150 Glover Avenue, Norwalk, CT 06856 (US).

(72) Inventors; and

(75) Inventors/Applicants (for US only): **WENCHELL, Thomas** [US/US]; 73 Oak Terrace, Durham, CT 06422 (US). **GREENHALG, Skott** [US/US]; 7943 Pleasant Avenue, Wyndmoor, PA 19038 (US). **FARASCIONI, David** [US/US]; 30 Deepwood Drive, Bethel, CT 06801 (US).

(74) Agent: **PERRY, Kimberly**; U.S. Surgical, a division of Tyco Healthcare Group LP, 150 Glover Avenue, Norwalk, CT 06850 (US).

(81) Designated States (unless otherwise indicated, for every kind of national protection available): AE, AG, AL, AM, AT, AU, AZ, BA, BB, BG, BR, BW, BY, BZ, CA, CH, CN, CO, CR, CU, CZ, DE, DK, DM, DZ, EC, EE, EG, ES, FI, GB, GD, GE, GH, GM, HR, HU, ID, IL, IN, IS, JP, KE, KG, KP, KR, KZ, LC, LK, LR, LS, LT, LU, LV, MA, MD, MG, MK, MN, MW, MX, MZ, NA, NI, NO, NZ, OM, PG, PH, PL, PT, RO, RU, SC, SD, SE, SG, SK, SL, SY, TJ, TM, TN, TR, TT, TZ, UA, UG, US, UZ, VC, VN, YU, ZA, ZM, ZW.

(84) Designated States (unless otherwise indicated, for every kind of regional protection available): ARIPO (BW, GH, GM, KE, LS, MW, MZ, SD, SL, SZ, TZ, UG, ZM, ZW), Eurasian (AM, AZ, BY, KG, KZ, MD, RU, TJ, TM), European (AT, BE, BG, CH, CY, CZ, DE, DK, EE, ES, FI, FR, GB, GR, HU, IE, IT, LU, MC, NL, PL, PT, RO, SE, SI, SK, TR), OAPI (BF, BJ, CF, CG, CI, CM, GA, GN, GQ, GW, ML, MR, NE, SN, TD, TG).

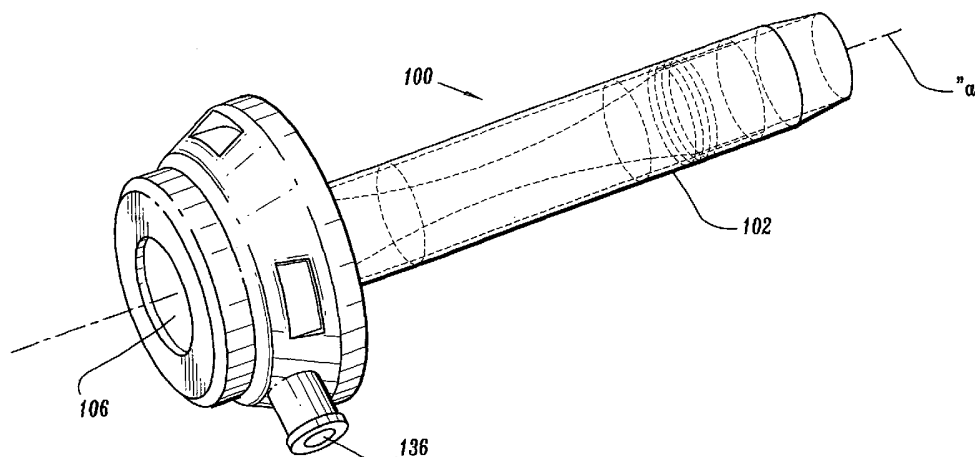
Published:

- with international search report
- before the expiration of the time limit for amending the claims and to be republished in the event of receipt of amendments

(88) Date of publication of the international search report:
30 March 2006

For two-letter codes and other abbreviations, refer to the "Guidance Notes on Codes and Abbreviations" appearing at the beginning of each regular issue of the PCT Gazette.

(54) Title: SURGICAL ACCESS APPARATUS



(57) Abstract: An access apparatus for use during a surgical procedure to provide access to the interior of the body includes an access member (100) defining a longitudinal axis and having a proximal end for being disposed at an exterior side of the body and a distal end for extending into the interior of the body. The access member has a bore therethrough dimensioned to permit passage of an object. A seal (128) is disposed within the bore of the access member. The seal includes a fabric material and an elastomeric material, and defines an internal passageway dimensioned to form a substantial sealing relation with an object inserted therethrough.

WO 2004/096295 A3

INTERNATIONAL SEARCH REPORT

International application No.

PCT/US04/13739

A. CLASSIFICATION OF SUBJECT MATTER

IPC(7) : A61M 5/178
 US CL : 604/167.01

According to International Patent Classification (IPC) or to both national classification and IPC

B. FIELDS SEARCHED

Minimum documentation searched (classification system followed by classification symbols)
 U.S. : 604/167.01-167.03

Documentation searched other than minimum documentation to the extent that such documents are included in the fields searched

Electronic data base consulted during the international search (name of data base and, where practicable, search terms used)

C. DOCUMENTS CONSIDERED TO BE RELEVANT

Category *	Citation of document, with indication, where appropriate, of the relevant passages	Relevant to claim No.
X	US 6,221,050 B1 (ISHIDA) 24 April 2001 (24.04.2001), see entire document.	52

Further documents are listed in the continuation of Box C. See patent family annex.

* Special categories of cited documents:		
"A"	document defining the general state of the art which is not considered to be of particular relevance	"T" later document published after the international filing date or priority date and not in conflict with the application but cited to understand the principle or theory underlying the invention
"E"	earlier application or patent published on or after the international filing date	"X" document of particular relevance; the claimed invention cannot be considered novel or cannot be considered to involve an inventive step when the document is taken alone
"L"	document which may throw doubts on priority claim(s) or which is cited to establish the publication date of another citation or other special reason (as specified)	"Y" document of particular relevance; the claimed invention cannot be considered to involve an inventive step when the document is combined with one or more other such documents, such combination being obvious to a person skilled in the art
"O"	document referring to an oral disclosure, use, exhibition or other means	
"P"	document published prior to the international filing date but later than the priority date claimed	"&" document member of the same patent family

Date of the actual completion of the international search 12 December 2005 (12.12.2005)	Date of mailing of the international search report 03 FEB 2006
--	---

Name and mailing address of the ISA/US Mail Stop PCT, Attn: ISA/US Commissioner for Patents P.O. Box 1450 Alexandria, Virginia 22313-1450 Facsimile No. (571) 273-3201	Authorized officer Catherine S. Williams Telephone No. 571-272-4970
---	---