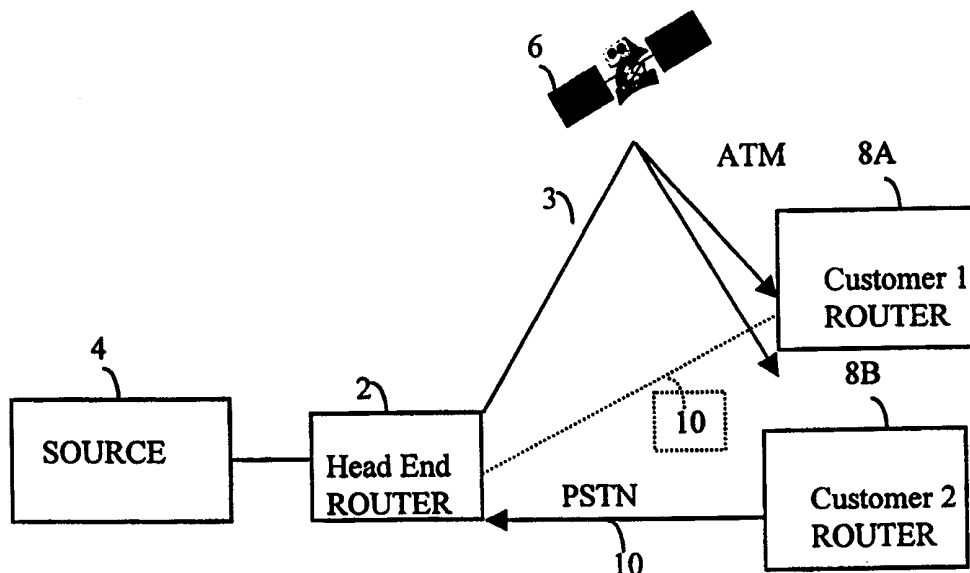




INTERNATIONAL APPLICATION PUBLISHED UNDER THE PATENT COOPERATION TREATY (PCT)

<p>(51) International Patent Classification <sup>6</sup> : <b>H04Q</b></p>	<p><b>A2</b></p>	<p>(11) International Publication Number: <b>WO 99/48301</b> (43) International Publication Date: 23 September 1999 (23.09.99)</p>
<p>(21) International Application Number: PCT/GB99/00757 (22) International Filing Date: 15 March 1999 (15.03.99) (30) Priority Data: 98301959.7 16 March 1998 (16.03.98) EP (71) Applicant (for all designated States except US): BRITISH TELECOMMUNICATIONS PUBLIC LIMITED COMPANY [GB/GB]; 81 Newgate Street, London EC1A 7AJ (GB). (72) Inventor; and (75) Inventor/Applicant (for US only): GIBBINGS, Christopher, John [GB/GB]; 38 Tovells Road, Ipswich, Suffolk IP4 4DY (GB). (74) Agent: BRADLEY, David, William; BT Group Legal Services, Intellectual Property Dept., 8th floor, Holborn Centre, 120 Holborn, London EC1N 2TE (GB).</p>		<p>(81) Designated States: AU, CA, US, European patent (AT, BE, CH, CY, DE, DK, ES, FI, FR, GB, GR, IE, IT, LU, MC, NL, PT, SE).  <b>Published</b> <i>Without international search report and to be republished upon receipt of that report.</i></p>

(54) Title: DATA TRANSPORT SYSTEM



(57) Abstract

Apparatus for an asymmetric data connection comprising a head end router (2) couplable to an ATM PVC, a PSTN modem coupled to the head end router, a plurality of downstream routers each couplable to the ATM PVC via respective ATM interfaces, a plurality of downstream PSTN modems each coupled to a respective downstream router via a respective serial interface, each ATM interface of each respective downstream router being allocated, in use, a respective IP address in a single subnet, and each serial interface of each respective downstream router being allocated, in use, a respective IP address in a single subnet. A method of establishing an asymmetric data connection is also described.

**FOR THE PURPOSES OF INFORMATION ONLY**

Codes used to identify States party to the PCT on the front pages of pamphlets publishing international applications under the PCT.

AL	Albania	ES	Spain	LS	Lesotho	SI	Slovenia
AM	Armenia	FI	Finland	LT	Lithuania	SK	Slovakia
AT	Austria	FR	France	LU	Luxembourg	SN	Senegal
AU	Australia	GA	Gabon	LV	Latvia	SZ	Swaziland
AZ	Azerbaijan	GB	United Kingdom	MC	Monaco	TD	Chad
BA	Bosnia and Herzegovina	GE	Georgia	MD	Republic of Moldova	TG	Togo
BB	Barbados	GH	Ghana	MG	Madagascar	TJ	Tajikistan
BE	Belgium	GN	Guinea	MK	The former Yugoslav Republic of Macedonia	TM	Turkmenistan
BF	Burkina Faso	GR	Greece	ML	Mali	TR	Turkey
BG	Bulgaria	HU	Hungary	MN	Mongolia	TT	Trinidad and Tobago
BJ	Benin	IE	Ireland	MR	Mauritania	UA	Ukraine
BR	Brazil	IL	Israel	MW	Malawi	UG	Uganda
BY	Belarus	IS	Iceland	MX	Mexico	US	United States of America
CA	Canada	IT	Italy	NE	Niger	UZ	Uzbekistan
CF	Central African Republic	JP	Japan	NL	Netherlands	VN	Viet Nam
CG	Congo	KE	Kenya	NO	Norway	YU	Yugoslavia
CH	Switzerland	KG	Kyrgyzstan	NZ	New Zealand	ZW	Zimbabwe
CI	Côte d'Ivoire	KP	Democratic People's Republic of Korea	PL	Poland		
CM	Cameroon	KR	Republic of Korea	PT	Portugal		
CN	China	KZ	Kazakstan	RO	Romania		
CU	Cuba	LC	Saint Lucia	RU	Russian Federation		
CZ	Czech Republic	LJ	Liechtenstein	SD	Sudan		
DE	Germany	LK	Sri Lanka	SE	Sweden		
DK	Denmark	LR	Liberia	SG	Singapore		
EE	Estonia						

**DATA TRANSPORT SYSTEM**

The present invention relates to apparatus for a data transport system and more particularly to such apparatus for an asymmetric data connection, and to a  
5 method of establishing an asymmetric data connection.

Increasingly, there is a need for high bandwidth data connections. Frequently, however, the high data bandwidth is only required in one direction. For example, in video-on-demand (unicast) or multicast applications, it is necessary to send high bandwidth video data from a central server to one or more remote users. However,  
10 the remote users only need to send low bandwidth signals, for example requesting a particular selection of video data, and thus do not need a high bandwidth return path to the server. In these circumstances, clearly economies may be made by providing a high bandwidth data path from the server at the head end), but providing a relatively low bandwidth return path for data from the remote site to the head end. Thus, the  
15 concept of an asymmetric data connection, where the data bandwidths in the outgoing and return paths are not the same, has arisen.

The present invention is particularly concerned with the type of asymmetric data connection where a high bandwidth path is provided via satellite (typically using asynchronous transfer mode (ATM)) and a low bandwidth return path from a remote  
20 site to the head end is provided typically using a PSTN modem.

It will be appreciated that a typical customer of an asymmetric data connection will not require a permanent high bandwidth connection. Thus, it is desirable to be able to switch the high bandwidth connection between different remote users on a time-distributed basis. For example, a user may wish to have a  
25 video feed for one hour a day, or may wish to transmit a large amount of data, perhaps to set up a new remote server, on a one-off basis.

Prior art asymmetric connection arrangements have introduced a significant re-configuration overhead where the identity of the remote receiver or remote user is to be changed. Thus, it has been uneconomic to permit frequent changes of the identity  
30 or location of the remote user.

According to the present invention there is provided a data transport system comprising a head end router coupled to a data source, a plurality of downstream routers each for connection to at least one addressable site and each coupled to the

head end router by a high bandwidth forward data path; each of the downstream routers being connectable by a switchable low bandwidth return path, the head end router selecting the return control path from downstream routers by causing set-up of the respective return path to one of the downstream routers.

5           According to a feature of the invention there is provided apparatus for an asymmetric data connection comprising a head end router couplable to an ATM permanent virtual circuit (PVC) a PSTN modem coupled to the head end router, a plurality of downstream routers each couplable to the ATM PVC via respective ATM interfaces. and a plurality of downstream PSTN modems each coupled to a respective  
10 downstream router via a respective serial interface, each ATM interface of each respective downstream router being allocated, in use, a respective IP address in a single subnet, and each serial interface of each respective downstream router being allocated, in use, a respective IP address in a single subnet.

By arranging for the ATM interfaces and the serial interfaces each to be  
15 allocated IP addresses in the same respective subnet IP routing is simplified. Thus, a changeover of intended recipient of data passing along the ATM PVC is readily achieved.

Preferably each downstream router is arranged to receive data over the same PVC, the IP address carried with the ATM data being used by each downstream  
20 router to determine whether the data is valid for that user. This avoids the need to change the configuration of the PVC each time a different customer at a downstream router requires data via the ATM connection. Since the ATM pipe between the head end router and the downstream routers is likely to pass through several switches, there would be a significant reconfiguration and checking overhead should the PVC  
25 need reconfiguring each time the user changed.

The head end router may include a modem address mapping table operable to map the IP address of each of the said serial interfaces to the respective downstream PSTN to which each serial interface is connected. This allows the head end router to dial the relevant PSTN modem connected to the serial interface of the downstream  
30 router when data for the IP address of the relevant serial interface is received.

By arranging for the head end router to dial the downstream router (rather than vice versa), the head end router has control over the PSTN link, which means that one customer's modem call does not block out the next customer's call. As a

corollary to this, the modems on the downstream routers should preferably be arranged not to attempt to dial the head end router since doing so could block calls being made from the head end router to another downstream router.

Preferably, the head end router is arranged to cause the head end PSTN  
5 modem to establish a connection with a predetermined one of the downstream PSTN modems using the modem address mapping table when, in use, a predetermined activation packet is received by the head end router for routing to the IP address of one of the serial interfaces.

Thus, to activate a connection with a particular downstream router, it is only  
10 necessary to send an activation packet to the head end router having an IP address of one of the serial interfaces of the downstream router. The activation packet may, for example, be a "ping" packet. Receipt by the head end router of the activation packet causes it to dial the relevant downstream router (via the PSTN modems) and establish a connection over the PSTN. Thereafter, the downstream router may request  
15 information using the PSTN link, and the information may be transmitted as data over the high bandwidth ATM link.

The particular advantage of this arrangement is that it is only necessary to send an activation packet in order to change which user is in control of the ATM link. The head end router may receive the activation packet, for example from a network  
20 management workstation.

Preferably the predetermined activation packets are supplied to the head end router according to a predetermined timetable. For example, a network management workstation may store a timetable which changes each user every hour. To achieve the changeover, a predetermined activation packet is sent to the head end router. In a  
25 preferred embodiment, the activation packets may be sent at predetermined intervals to ensure that the PSTN link has not been dropped. The head end router is configured to cause re-dialling of the downstream router if the PSTN link has been dropped. Alternatively, if the IP address of the activation packet is no different to the previous IP address, and the PSTN link is still active, the router need not re-dial but may simply  
30 send the activation packet along the already established PSTN link to the PSTN modem of the relevant downstream router.

Preferably, the head end router includes an ATM address mapping table operable to map the IP address of each of the said ATM interfaces to a predetermined

ATM virtual channel identifier (VCI) and virtual path identifier (VPI). In this way, all data addressed to the IP addresses of the ATM interfaces is directed along a single PVC by the head end router. This achieves the advantage of no PVC reconfiguration when users are changed as described above.

5           According to a second aspect of the feature, a method of establishing an asymmetric data connection comprises establishing a unidirectional ATM connection between a head end router and a plurality of downstream routers, all the downstream routers being connected to the head end router via the same ATM PVC, receiving a predetermined activation packet at the head end router, reading the IP address of the  
10 activation packet and extracting connection information from a modem mapping table using the IP address to index the table, and dialling from a PSTN modem connected to the head end router to a PSTN modem connected to one of the downstream routers using the connection information in order to establish a return data connection over the PSTN between the head end router and the downstream router.

15           Preferably, the ATM interfaces of the downstream routers are allocated respective IP addresses in a common subnet; and, similarly, the modem interfaces of the downstream routers may be allocated respective IP addresses in a common subnet. Preferably, the activation packet is received according to a predetermined timetable.

20           The invention will now be described, by way of example, with reference to the drawing of which:

Figure 1 is a schematic diagram of a head end router and downstream routers arranged in accordance with the invention; and

Figure 2 shows the arrangement of Figure 1 in greater detail.

25           With reference to Figure 1, a head end router 2 is connected to a data source 4 and, via an ATM Data Service Unit (DSU) (not shown), to a satellite 6. Downstream routers 8A, 8B are also coupled via ATM DSUs to the satellite 6 and to the head end router 2 via a PSTN return link 10.

30           In the drawing, the return link 10 between the downstream router 8A and head end router 2 is shown in dotted lines since this is a possible link between the two routers but is not active. The active link is that between the downstream router 8B and the head end router 2.

All downstream routers (only two downstream routers are shown, but this

should be taken to exemplify any number of downstream routers, for example, up to twenty) are set to listen on the same ATM PVC. The downstream routers 8A, 8B include modems which are set to receive incoming calls, but not to dial out.

The head end router 2 is configured so that it will dial the appropriate downstream modem when an activation packet is destined for that router's IP address. The activation packet typically will be a "ping" IP packet.

Activation packets are generated by the data source 4 which may, for example, include a network management workstation and are generated when it is desired to change the customer. Activation packets may also be generated on a periodic basis in order to ensure that the PSTN return link is still active.

By way of example, typical examples of IP address allocation for the head end router 2 are shown below.

For the ATM interface, one subnet is allocated with an IP number for the head end, and with an IP number for each potential customer. The mapping maps each IP address of the potential customers to only one PVC. The statements might be as follows:

```
ip      10.1.1.2 atm-vc 111 broadcast
lp      10.1.1.3 atm-vc 111 broadcast
20 ip    10.1.1.4 atm-vc 111 broadcast
```

Thus, all IP addresses of the ATM interfaces of the downstream routers 8A, 8B etc. are mapped to VC 111. The label "111" refers to a particular VCI/VPI combination defined elsewhere in the head end router configuration. This allows each of the downstream routers 8A, 8B etc. to "listen" only to one ATM PVC.

The serial (PSTN) interface of the head end router 2 is allocated with one subnet with an IP number for the head end, and with an IP number for each potential customer as shown below. #A. #B. #C etc. are the respective modem telephone numbers of the downstream PSTN modems. Thus, the sending of an activation packet causes the head end router 2 to dial the relevant telephone number of the relevant modem according to the above mapping. In this way, the PSTN return link is set up with a particular downstream router 8A, 8B etc.

```
dialer map ip 10.1.2.2 name A modem-script dnum #A
dialer map ip 10.1.2.3 name B modem-script dnum #B
dialer map ip 10.1.2.4 name C modem-script dnum #0
```

5           In use, to establish a link with a particular customer, an activation packet is sent to that customer's PSTN IP address to establish a return link 10. The customer may then make requests for desired data which will be returned to the customer over the ATM link via the satellite 6.

10           Since all customers are "listening" to the same ATM PVC, the only change which is required to enable a different customer to receive data via the satellite 6 is to send an activation packet having that customer's PSTN IP address. This causes the head end router 2 to dial an alternative modem, and to establish an alternative return link 10.

15           A range of subnets is allocated for Ethernet, and other interfaces on the downstream interfaces of the downstream routers 8A, 8B. IP routes are arranged to go via the appropriate ATM address. Thus a suitable mapping is:

```
ip route <A address range> 10.1.1.2
ip route <B address range> 10.1.1.3
```

20

25           This causes a particular IP address range to be routed via a particular downstream router using the IP address of the relevant ATM interface. Thus, data for downstream interfaces on a particular downstream router will automatically be routed via the correct ATM PVC to the correct downstream router. At the downstream router, all upstream subnets are routed to the modem port. This provides a router for data being send out from the router. However, all addresses allocated to other downstream routers are routed to null. Thus, if data is still being passed over the ATM link via the satellite 6, from a previous customer, the high bandwidth data is not returned over the low bandwidth PSTN link, but instead is routed to null.

30           The routing to null is necessary because, on changeover of customers, it is possible that a previous customer's data source will continue to send data over the ATM link (i.e. data having the IP address of a particular ATM interface of the customer's downstream router). For simplicity's sake, the head end router 2 does not

filter that data, but simply passes it along the ATM link. Thus, if a previous customer's source application is badly behaved, it may continue to send data after its access to the ATM link and its downstream router have ceased. If the downstream router of the present customer were to attempt to pass that data back via the PSTN modem, it would be necessary to buffer large amounts of data at the present customer's downstream router since the data flowing into the router from the ATM link will enter the downstream router at a much higher rate than it can be returned via the PSTN modem. Hence, the need to route all data destined for other downstream routers to null.

10 The apparatus may be used with multicast data. One feature of multicast data is that the protocol independent multicast (PIM) algorithm attempts to find the shortest route for data, and avoids duplicate routes. It will be appreciated that the router is configured such that the route back to upstream IP addresses is via the PSTN modem (as described above). The PIM algorithm, therefore, will discard  
15 multicast packets received via the ATM link, since it will prefer multicast packets received via the PSTN link which is configured as the direct route back to the source of the multicast packets. Clearly, this is undesirable, since the ATM link with its high bandwidth is much better suited to the transmission of multicast packets to the downstream router. In order to overcome this problem, multicast packets are  
20 "tunnelled", in the sense that those packets are wrapped inside unicast packets. This has the effect of allowing multicast packets to be routed along the ATM link without PIM discarding them on receipt.

A tunnel is allocated to each customer. Each tunnel runs from a common IP address on the head end router 2 to the loop back interface on each downstream  
25 router.

In operation, all tunnel and routes are left active all the time. To select a particular customer, a ping packet is sent to the relevant PSTN IP address. Once the line is active, the customer can route packets back to the head end. This means that unicast applications like FTP begin to work immediately. The tunnel interface  
30 mentioned above, becomes active as a PIM neighbour and multicast begins to work.

To select another customer, the head end router 2 pings the new customer, thereby disconnecting the first customer, because the return PSTN link is dropped when the new customer is dialled by the head end router.

To maintain the link to a particular customer for a desired length of time, the following three strategies may be used:

1. Set the time-out to be very long on the PSTN interface, and terminate sessions by pinging an alternative customer;
2. Set all traffic to be activation packets, so that the interface never times out, and again ping an alternative customer to terminate the first customer; or
3. Set the timer reasonably short, and keep the PSTN interface active by pinging at intervals shorter than the time-out of the interface.

10

At the customer end, when an incoming modem line becomes active, all unicast applications begin to work. After a short time delay (typically about 2 minutes), multicast applications will begin to work. The time delay is caused because three PIM updates are required before the network accepts that a new multicast node is active. The PIM updates are sent at 30 second intervals, and thus at least 90 seconds must elapse before multicast applications will begin to work.

It will be appreciated that PIM updates for other customers will be received over the ATM link, since all tunnels have a common start point at the head end. It will be noted, however, that the traffic level will be low as a result of these PIM updates, and also that all traffic for other downstream routers is routed to null as mentioned above.

Sensitive data may be encrypted, so that it cannot be read by other receivers, since it will also be appreciated that all routers receive data for all customers. However, the data will only be available outside the downstream router if it is destined for a downstream IP address according to the mapping described above. Thus, only if the security of the router is cracked, will customers be able to receive other customers' data. This also applies to multicast streams for other customers, since they will have the "wrong" unicast address, and cannot be received by another customer unless the router configuration is changed.

As mentioned above, if data is particularly sensitive, it may be encrypted and public keys may be exchanged between the head end router 2 or the data source 4 and the downstream router or data sink.

Optionally, multiple users may receive multicast broadcasts, although only one

user may have access to the PSTN return link and, therefore, will have control over what data is sent over the multicast link.

Thus it will be appreciated that the present invention avoids the need for complicated changeover procedures, it avoids the risks associated with frequent reconfigurations (which is especially difficult when reconfiguring remote sites), it makes efficient use of IP address space compared to individual subnets allocated to each downstream router, and it is able to cope with both unicast and multicast traffic.

Turning now to Figure 2, an information source 1 is connected, by way of a head-end router 2, to one or more routers 8A, 8B, for connection to individual customers. Each customer has an "IP address". IP addresses allow data to be directed to the appropriate user, and follow a hierarchical structure, in which individual users are allocated to individual addresses within "subnets". The downlink for transmitting information to the users is made by way of an ATM link 3, (typically via a satellite 6) but the return, control, channels are made by a PSTN link 10.

Typically, the system includes asymmetric routing for unicast packets. Multicast packets are "tunnelled" from the head end 2 to the downstream router 8A, 8B. Tunnelling is a process by which the multicast packets are made to appear to the network as ordinary packets, e.g. by "wrapping" them in normal header information. Return traffic over the PSTN modem link is at a relatively low level, and comprises PIM (protocol-independent multicast) updates, multicast requests, etc.)

In the time-shared user system shown in Figure 2, both customers 4,5 get the ATM feed 3 all the time, but only one can have access to the PSTN return path 6 at any given time.

There are several potential problems with time sharing. Firstly, the PSTN lines 6 must be managed to ensure that one customer's modem call does not block out the next customer's call. Secondly, customer lines will tend to be kept up by PIM updates, which are typically made every 30 seconds to identify whether the user is still on line. They have to be actively cut off if a second customer requires to use the line. Thirdly, if the mechanism for moving customers from one location to another involves configuration changes they will have to be completed in full and checked every single time, with a mechanism for dealing with problems, for example if the downstream router is accidentally configured so that the head end cannot dial in.

Fourthly, the permanent virtual circuit (PVC) 3 from the head end router 2 to the satellite 6 will potentially pass through several ATM switches. If the PVC is changed for each customer there could be many configuration changes a day and they will all have to be checked. Leaving one PVC 3 in place for each customer is undesirable as  
5 more ATM capacity is booked than is actually required.

For the sake of example, the system can be embodied using the following equipment, as shown in Figure 2. The head end router 2 may be a Cisco 4500 with an ATM interface, connected to an 8Mbit/s ATM DSU (data switching unit) 7 via a chain of Cisco LS1010 switches 21 (only one shown). The ATM signals are then  
10 sent over a unidirectional satellite circuit 3. At each receiving station there is a corresponding ATM DSU 9,10 which sends the data to another Cisco 4500 router 8A, 8B via switches 18. The head end router 2 and remote routers 8A, 8B are also connected via 28.8kbit/s PSTN modems 11, 12, 13. The server 1 is connected to the head end router by Ethernet or ATM. Client PCs 14,15 are connected to the  
15 downstream routers 8A, 8B by Ethernet.

**CLAIMS**

1. A data transport system comprising a head end router coupled to a data source, a plurality of downstream routers each for connection to at least one  
5 addressable site and each coupled to the head end router by a high bandwidth forward data path; each of the downstream routers being connectable by a switchable low bandwidth return path, the head end router selecting the return control path from downstream routers by causing set-up of the respective return path to one of the downstream routers.
- 10
2. A data transport system as claimed in claim 1 in which remote site user addresses are selected such that all of the remote sites being served are on a single subnet for the forward data path.
- 15
3. A data transport system as claimed in claim 1 or claim 2, in which user addresses are selected such that all of the remote sites being served are on a single subnet for the switchable return data path.
4. A data transport system as claimed in claim 1, claim 2 or claim 3, in which  
20 the high bandwidth forward data path is an asynchronous transfer mode (ATM) permanent virtual circuit (PVC).
5. A data transport system as claimed in claim 4, in which the PVC includes, at least in part, a link through a satellite broadcast channel.
- 25
6. A data transport system as claimed in any preceding claim, in which the switchable return path is a public switched telephone network (PSTN) path.
7. A data transport system as claimed in any preceding claim, in which the head  
30 end router packages multicast messages within an addressed data packet whereby multicast data is tunnelled from the head end to the respective or each respective remote site.

8. Apparatus for a data transport system using an asymmetric data connection, the apparatus comprising:
- a head end router couplable to an ATM PVC;
  - a PSTN modem coupled to the head end router;
- 5 a plurality of downstream routers each couplable to the ATM PVC via respective ATM interfaces; and
- a plurality of downstream PSTN modems each coupled to a respective downstream router via a respective serial interface, each ATM interface of each respective downstream router being allocated, in use, a respective IP address in a
- 10 single subnet, and each serial interface of each respective downstream router being allocated, in use, a respective IP address in a single subnet.
9. Apparatus according to claim 8, wherein each downstream router is arranged in queues to receive data from the head end router via the same ATM PVC.
- 15
10. Apparatus according to claim 8 or claim 9, in which the head end router includes a modem address mapping table operable to map the IP address of each of the said serial interfaces to the respective downstream PSTN modem to which each serial interface is connected.
- 20
11. Apparatus according to claim 10, wherein the head end router is arranged to cause the head end PSTN modem to establish a connection with a predetermined one of the downstream PSTN modems using the modem address mapping table when a predetermined activation packet is received by the head end router for routing to
- 25 the IP address of one of the serial interfaces.
12. Apparatus according to claim 11, wherein the predetermined activation packets are supplied to the head end router according to a predetermined timetable.
- 30 13. Apparatus according to any one of claims 8 to 12, wherein the head end router includes an ATM address mapping table operable to map the IP address of each of the said ATM interfaces to a predetermined ATM VCI and VPI.

14. A method of establishing an asymmetric data connection comprising establishing a unidirectional ATM connection between a head end router and a plurality of downstream routers all of the downstream routers being connected to the head end router via the same PVC, receiving a predetermined activation packet at the head end router, reading the IP address of the activation packet and extracting connection information from a modem mapping table using the IP address to index the table and dialling from a PSTN modem connected to the head end router to a PSTN modem connected to one of the downstream routers using the connection information in order to establish a return data connection over the PSTN between the head router and the downstream router.

15. A method according to claim 14, wherein the ATM interfaces of the downstream routers are allocated respective IP addresses in a common subnet.

16. A method according to claim 14 or claim 15, wherein the modem interfaces of the downstream routers are allocated respective IP addresses in a common subnet.

17. A method according to claim 14, claim 15 or claim 16, wherein the activation packet is received according to a predetermined timetable.

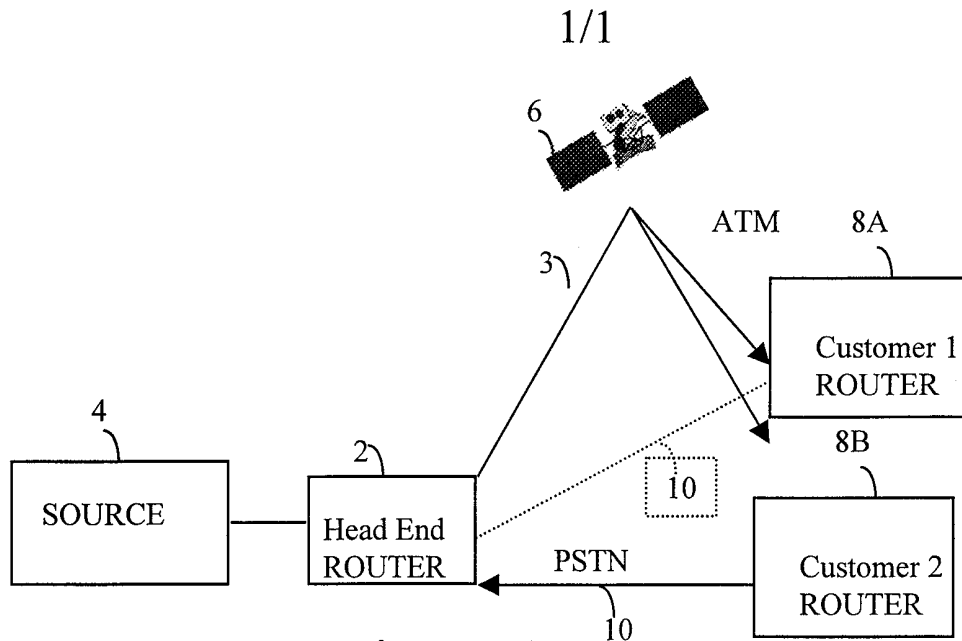


Figure 1

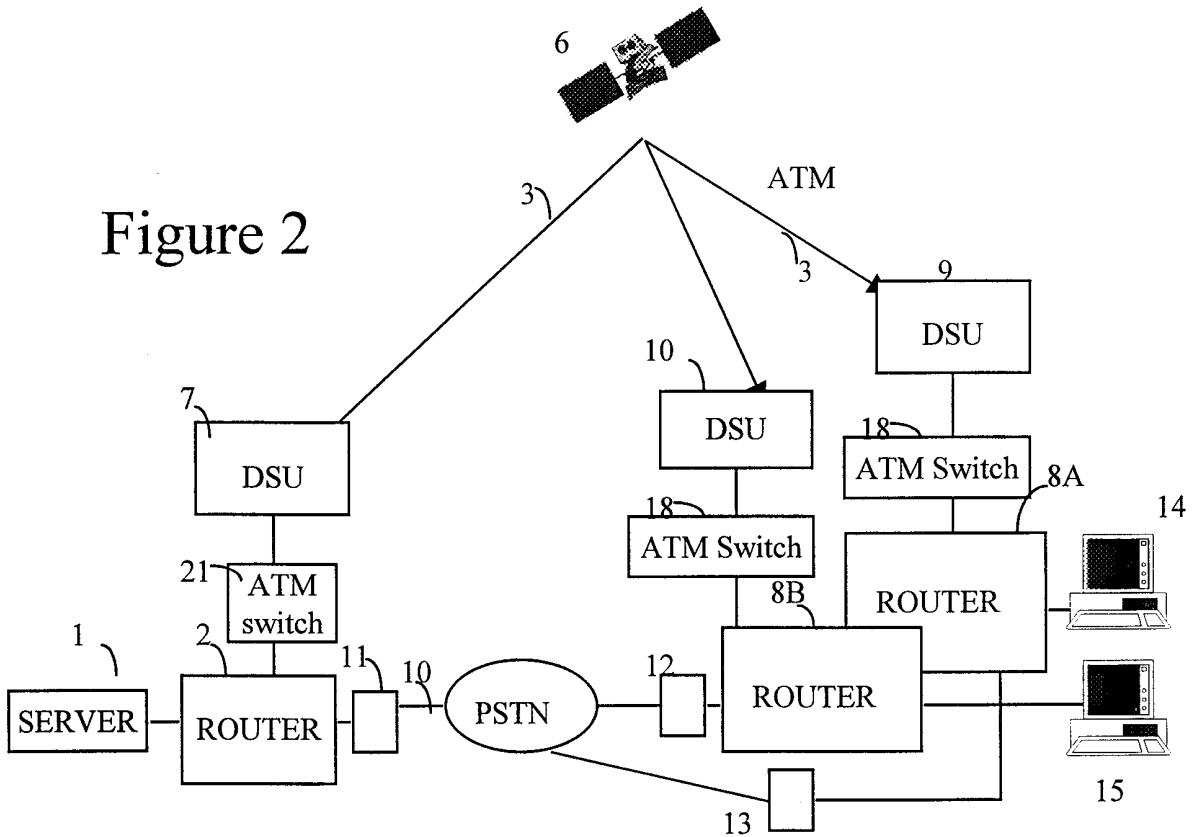


Figure 2