

CORRECTED VERSION

(19) World Intellectual Property Organization
International Bureau



(10) International Publication Number
WO 2017/176848 A8

(43) International Publication Date
12 October 2017 (12.10.2017)

(51) International Patent Classification:

F16L 3/12 (2006.01) F16L 3/137 (2006.01)
F16L 3/00 (2006.01) F16L 3/14 (2006.01)
F16L 3/02 (2006.01) F16L 3/22 (2006.01)
F16L 3/08 (2006.01)

(21) International Application Number:

PCT/US2017/026081

(22) International Filing Date:

05 April 2017 (05.04.2017)

(25) Filing Language:

English

(26) Publication Language:

English

(30) Priority Data:

62/319,730 07 April 2016 (07.04.2016) US

(71) Applicant: UNITED LAUNCH ALLIANCE, L.L.C.
[US/US]; 9501 East Panorama Circle, Englewood, CO
80112 (US).

(72) Inventor: NGUYEN, Anthony, Paul; 264 Grant Street,
Denver, CO 80203 (US).

(74) Agent: BLAKELY, Todd, P.; Sheridan Ross P.C., 1560
Broadway, Suite 1200, Denver, CA 80202 (US).

(81) Designated States (unless otherwise indicated, for every
kind of national protection available): AE, AG, AL, AM,
AO, AT, AU, AZ, BA, BB, BG, BH, BN, BR, BW, BY, BZ,
CA, CH, CL, CN, CO, CR, CU, CZ, DE, DJ, DK, DM, DO,
DZ, EC, EE, EG, ES, FI, GB, GD, GE, GH, GM, GT, HN,
HR, HU, ID, IL, IN, IR, IS, JP, KE, KG, KH, KN, KP, KR,
KW, KZ, LA, LC, LK, LR, LS, LU, LY, MA, MD, ME, MG,
MK, MN, MW, MX, MY, MZ, NA, NG, NI, NO, NZ, OM,
PA, PE, PG, PH, PL, PT, QA, RO, RS, RU, RW, SA, SC,
SD, SE, SG, SK, SL, SM, ST, SV, SY, TH, TJ, TM, TN, TR,
TT, TZ, UA, UG, US, UZ, VC, VN, ZA, ZM, ZW.

(84) Designated States (unless otherwise indicated, for every
kind of regional protection available): ARIPO (BW, GH,
GM, KE, LR, LS, MW, MZ, NA, RW, SD, SL, ST, SZ, TZ,
UG, ZM, ZW), Eurasian (AM, AZ, BY, KG, KZ, RU, TJ,
TM), European (AL, AT, BE, BG, CH, CY, CZ, DE, DK,
EE, ES, FI, FR, GB, GR, HR, HU, IE, IS, IT, LT, LU, LV,
MC, MK, MT, NL, NO, PL, PT, RO, RS, SE, SI, SK, SM,
TR), OAPI (BF, BJ, CF, CG, CI, CM, GA, GN, GQ, GW,
KM, ML, MR, NE, SN, TD, TG).

(54) Title: INTERIOR CHANNEL CABLE AND TUBE MANAGEMENT BRACKET

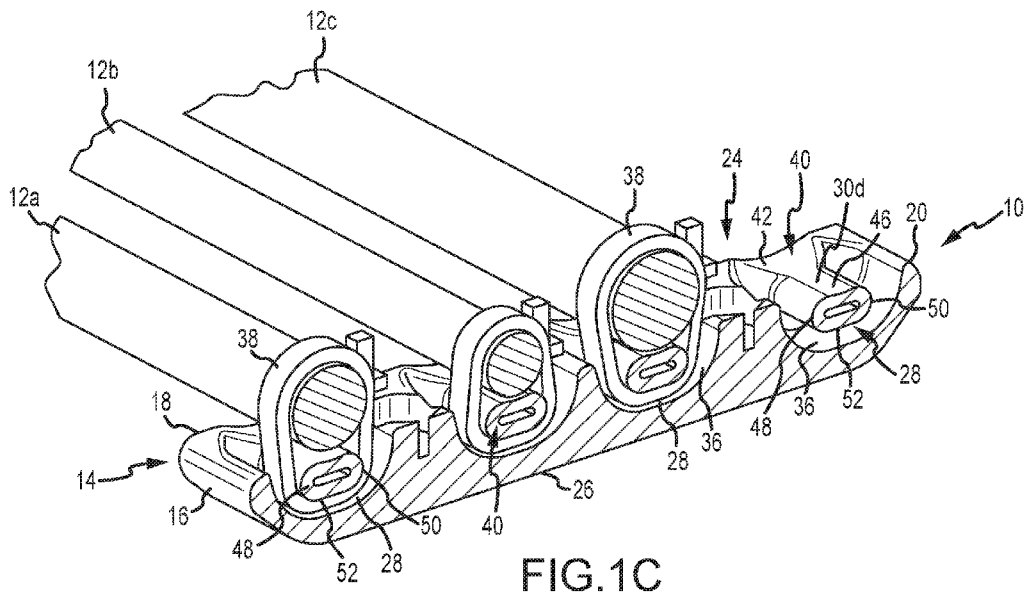
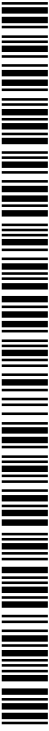


FIG.1C

(57) Abstract: A cable bracket having at least one cable support member and a subtending continuous fastener passageway with a first open end and a second open end spaced from the first open end is disclosed. The first and second open ends are oriented on the same side of the cable bracket to facilitate installation.



WO 2017/176848 A8

Published:

— *with international search report (Art. 21(3))*

(48) Date of publication of this corrected version:

11 May 2018 (11.05.2018)

(15) Information about Correction:

see Notice of 11 May 2018 (11.05.2018)