



US00D796703S

(12) **United States Design Patent**
Pratt

(10) **Patent No.:** **US D796,703 S**

(45) **Date of Patent:** **** Sep. 5, 2017**

(54) **LIGHT**

(71) Applicant: **Railblaza Limited**, Silverdale,
Auckland (NZ)

(72) Inventor: **Ross Gregory Pratt**, Auckland (NZ)

(73) Assignee: **Railblaza Limited** (NZ)

(**) Term: **15 Years**

(21) Appl. No.: **29/564,359**

(22) Filed: **May 12, 2016**

(30) **Foreign Application Priority Data**

Nov. 13, 2015 (AU) 201516060

(51) **LOC (10) Cl.** **26-04**

(52) **U.S. Cl.**
USPC **D26/2**

(58) **Field of Classification Search**

USPC D26/1-4; 313/313, 315, 316, 317, 318,
313/493; 315/52, 53, 56, 57, 58
CPC H01R 5/00; H01R 13/46; H01R 13/514;
H01R 31/048; H01R 31/02; H01J 5/00;
H01J 5/16; H01J 15/00; H01J 5/48; H01J
5/50; H01J 19/54; F21V 5/00

See application file for complete search history.

(56) **References Cited**

U.S. PATENT DOCUMENTS

| | | | | |
|--------------|---------|-----------|-------|-------|
| D581,556 S * | 11/2008 | To | | D26/2 |
| D600,367 S * | 9/2009 | Bertram | | D26/2 |
| D601,278 S * | 9/2009 | Takahashi | | D26/2 |
| D617,918 S * | 6/2010 | Yamamoto | | D26/2 |
| D651,326 S * | 12/2011 | Lai | | D26/2 |
| D663,869 S * | 7/2012 | Choi | | D26/2 |

* cited by examiner

Primary Examiner — Marcus Jackson

(74) *Attorney, Agent, or Firm* — Miskin & Tsui-Yip LLP;
Gloria Tsui-Yip, Esq.

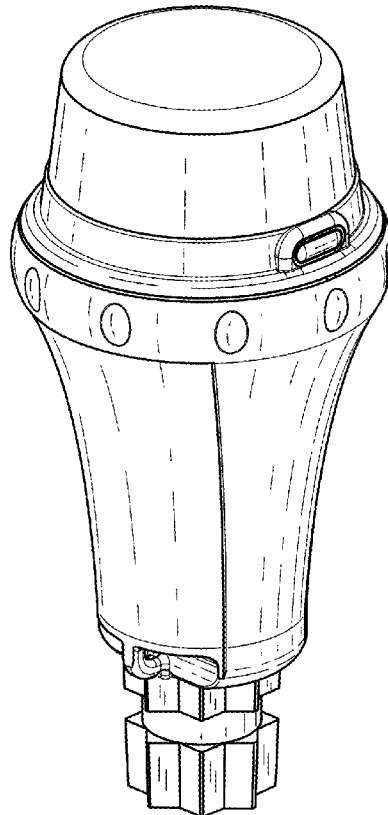
(57) **CLAIM**

The ornamental design for a light, as shown and described.

DESCRIPTION

FIG. 1 is a front elevational view of my new design;
FIG. 2 is a rear elevational view thereof;
FIG. 3 is a left side view thereof;
FIG. 4 is a right side view thereof;
FIG. 5 is a top plan view thereof;
FIG. 6 is a bottom plan view thereof;
FIG. 7 is a perspective view thereof; and,
FIG. 8 is another perspective view thereof.

1 Claim, 5 Drawing Sheets



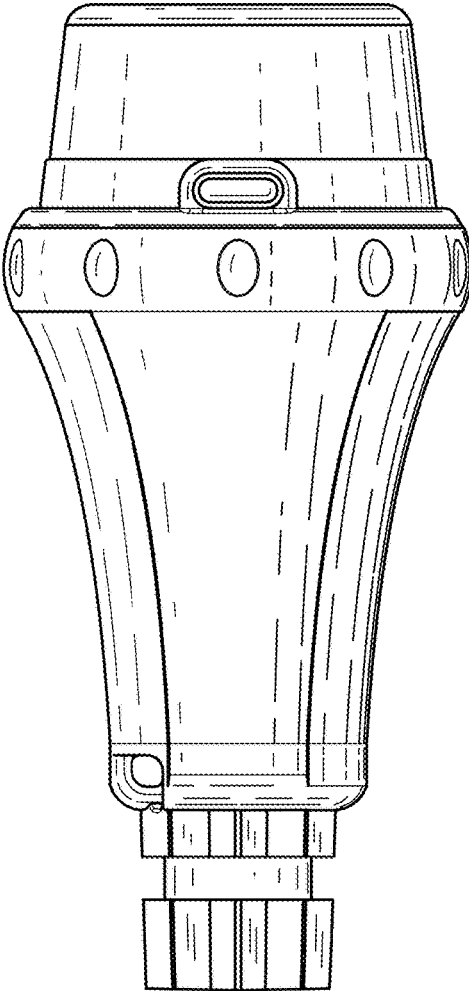


Fig.1

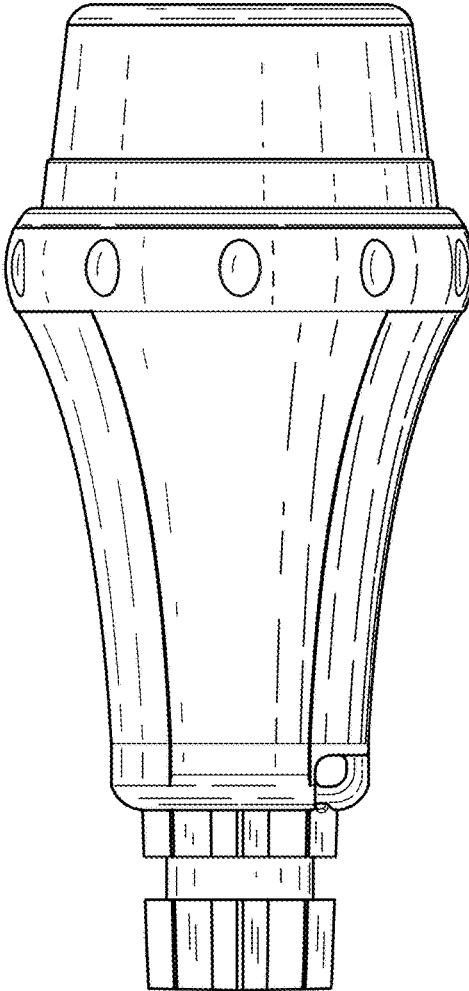


Fig.2

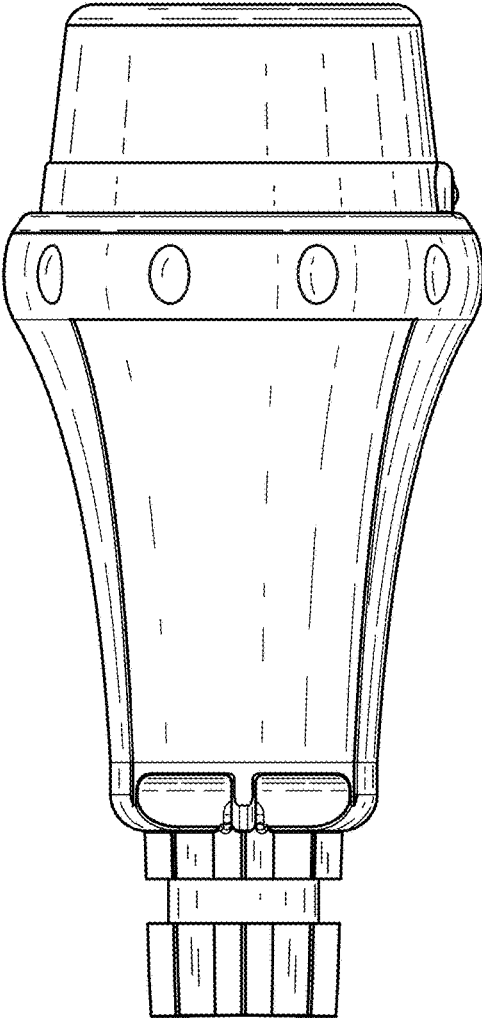


Fig.3

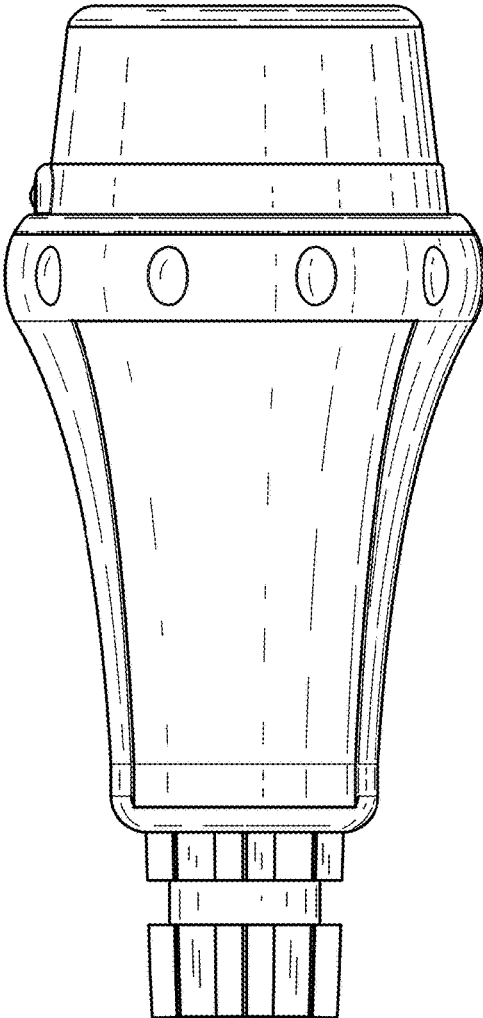


Fig.4

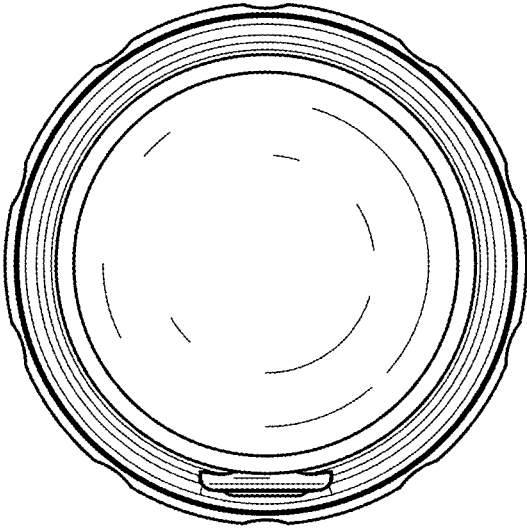


Fig.5

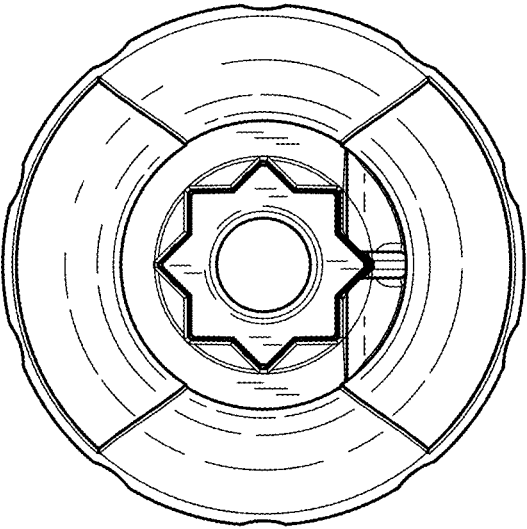


Fig.6

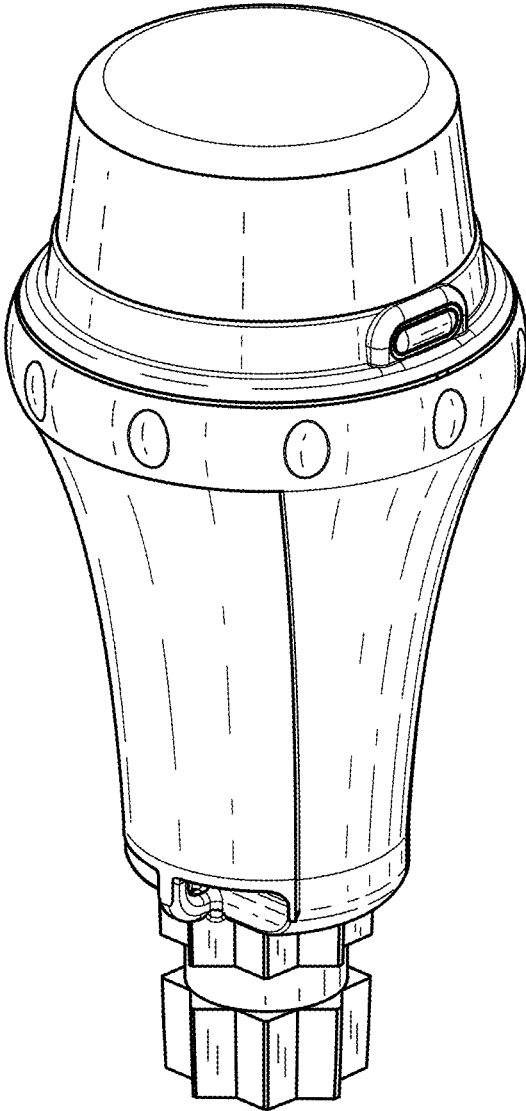


Fig.7

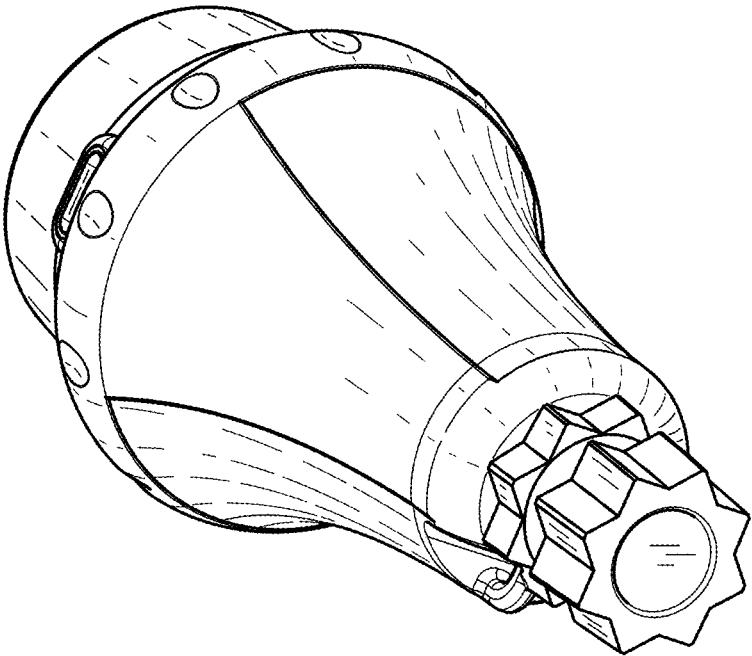


Fig.8