

(19) World Intellectual Property Organization
International Bureau



(43) International Publication Date
31 December 2008 (31.12.2008)

PCT

(10) International Publication Number
WO 2009/002057 A3

- (51) International Patent Classification:
B65D 41/34 (2006.01)
- (21) International Application Number:
PCT/KR2008/003549
- (22) International Filing Date: 20 June 2008 (20.06.2008)
- (25) Filing Language: Korean
- (26) Publication Language: English
- (30) Priority Data:
10-2007-0061400 22 June 2007 (22.06.2007) KR
10-2007-0069032 10 July 2007 (10.07.2007) KR
10-2007-0103524 15 October 2007 (15.10.2007) KR
- (71) Applicant and
(72) Inventor: **KWON, Si Joong** [KR/KR]; 56-14, Wonmi-dong, Wonmi-gu, Bucheon-si, Gyeonggi-do 420-110 (KR).
- (74) Agent: **BAE, Yong Cheol**; 100-305, Bucheon Techno-Park, 364, Samjung-Dong, Ojung-Gu, Bucheon City, Kyunggi-do 421-740 (KR).

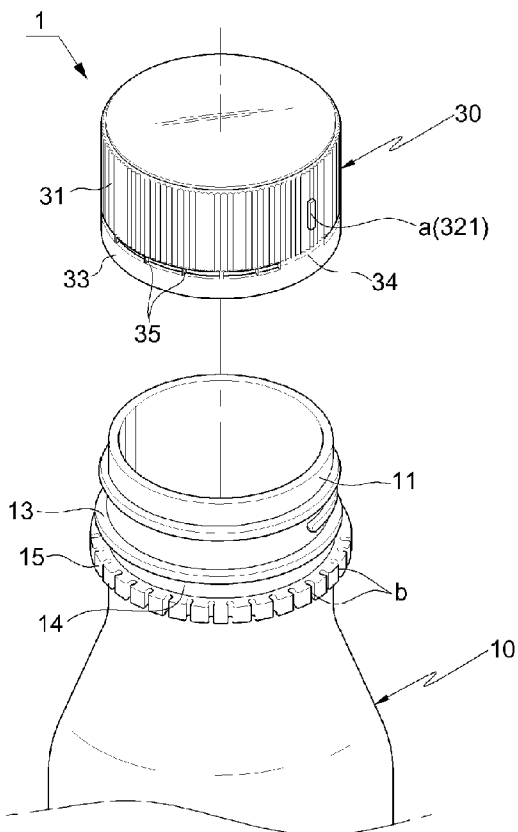
- (81) Designated States (*unless otherwise indicated, for every kind of national protection available*): AE, AG, AL, AM, AO, AT, AU, AZ, BA, BB, BG, BH, BR, BW, BY, BZ, CA, CH, CN, CO, CR, CU, CZ, DE, DK, DM, DO, DZ, EC, EE, EG, ES, FI, GB, GD, GE, GH, GM, GT, HN, HR, HU, ID, IL, IN, IS, JP, KE, KG, KM, KN, KP, KZ, LA, LC, LK, LR, LS, LT, LU, LY, MA, MD, ME, MG, MK, MN, MW, MX, MY, MZ, NA, NG, NI, NO, NZ, OM, PG, PH, PL, PT, RO, RS, RU, SC, SD, SE, SG, SK, SL, SM, SV, SY, TJ, TM, TN, TR, TT, TZ, UA, UG, US, UZ, VC, VN, ZA, ZM, ZW.
- (84) Designated States (*unless otherwise indicated, for every kind of regional protection available*): ARIPO (BW, GH, GM, KE, LS, MW, MZ, NA, SD, SL, SZ, TZ, UG, ZM, ZW), Eurasian (AM, AZ, BY, KG, KZ, MD, RU, TJ, TM), European (AT, BE, BG, CH, CY, CZ, DE, DK, EE, ES, FI, FR, GB, GR, HR, HU, IE, IS, IT, LT, LU, LV, MC, MT, NL, NO, PL, PT, RO, SE, SI, SK, TR), OAPI (BF, BJ, CF, CG, CI, CM, GA, GN, GQ, GW, ML, MR, NE, SN, TD, TG).

Published:
— with international search report

[Continued on next page]

(54) Title: CONTAINER WITH ANTI-LOSS AND ANTI-IDLE-ROTATION CAP

[Fig. 1]



(57) Abstract: Disclosed herein is a container with an anti-loss and anti-idle-rotation cap, which affords convenience and an improved sensation of use, in addition to preventing the contamination of the cap. The container includes a cap having a cap body, an indication ring, and a plurality of bridges, and a container body having a threaded fastening part, a ring stopping step, and an indication ring seat. The cap body and the indication ring are integrally coupled at a predetermined portion thereof with each other via a coupling part so that they are not separated from each other. A wedge and a wedge hole are provided on the cap body and the indication ring, or are provided on the cap body and the container body, so that the cap body is locked to the indication ring or the container body when the cap is opened to be adjacent to the coupling part.

WO 2009/002057 A3



— *before the expiration of the time limit for amending the claims and to be republished in the event of receipt of amendments*

(88) Date of publication of the international search report:
26 February 2009

A. CLASSIFICATION OF SUBJECT MATTER*B65D 41/34(2006.01)i*

According to International Patent Classification (IPC) or to both national classification and IPC

B. FIELDS SEARCHED

Minimum documentation searched (classification system followed by classification symbols)

IPC 8 B65D

Documentation searched other than minimum documentation to the extent that such documents are included in the fields searched

Electronic data base consulted during the international search (name of data base and, where practicable, search terms used)

eKIPASS(KIPO internal) & Keywords: cap, cover, closure, container, retain*, loss, miss, ring, captive, hook, coupling, wedge

C. DOCUMENTS CONSIDERED TO BE RELEVANT

Category*	Citation of document, with indication, where appropriate, of the relevant passages	Relevant to claim No.
X ---- Y	KR 200182811 Y1 (LEE, B.J.) 09 March 2000 See the whole documents	1-4 5-15
X	JP 60-50149 U (MASHITA, H.) 09 April 1985 See claim 1, figs. 1-7	1-4
Y	WO 96/26122 A1 (BOSL, U.) 29 August 1996 See abstract, claims 1, 5-6, figs. 1-3, 6	5-15
A	US 6474491 B1 (BENOIT-GONIN et. al.) 05 November 2002 See the whole documents	1-15

 Further documents are listed in the continuation of Box C. See patent family annex.

* Special categories of cited documents:

"A" document defining the general state of the art which is not considered to be of particular relevance

"E" earlier application or patent but published on or after the international filing date

"L" document which may throw doubts on priority claim(s) or which is cited to establish the publication date of citation or other special reason (as specified)

"O" document referring to an oral disclosure, use, exhibition or other means

"P" document published prior to the international filing date but later than the priority date claimed

"T" later document published after the international filing date or priority date and not in conflict with the application but cited to understand the principle or theory underlying the invention

"X" document of particular relevance; the claimed invention cannot be considered novel or cannot be considered to involve an inventive step when the document is taken alone

"Y" document of particular relevance; the claimed invention cannot be considered to involve an inventive step when the document is combined with one or more other such documents, such combination being obvious to a person skilled in the art

"&" document member of the same patent family

Date of the actual completion of the international search

31 DECEMBER 2008 (31.12.2008)

Date of mailing of the international search report

31 DECEMBER 2008 (31.12.2008)

Name and mailing address of the ISA/KR



Korean Intellectual Property Office
Government Complex-Daejeon, 139 Seonsa-ro, Seo-
gu, Daejeon 302-701, Republic of Korea

Facsimile No. 82-42-472-7140

Authorized officer

SEO, Eul Soo

Telephone No. 82-42-481-5444



INTERNATIONAL SEARCH REPORT

Information on patent family members

International application No.

PCT/KR2008/003549

Patent document cited in search report	Publication date	Patent family member(s)	Publication date
KR 200182811 Y1	09.03.2000	AU 2026401 A	18.06.200
		KR 182811 Y1	15.05.2000
		KR 20-0182-8110000	09.03.2000
		WO 01-42101 A1	14.06.2001
JP 60-50149 U	09.04.1985	None	
WO 96/26122 A1	29.08.1996	AT 173704 T	15.12.1998
		AU 1996-44799 B2	11.09.1996
		AU 4479996 A	11.09.1996
		AU 701971 B2	11.02.1999
		BR 9607515 A	30.12.1997
		CA 2210633 A1	29.08.1996
		CN 1175930 A	11.03.1998
		CN 1175930	11.03.1998
		DE 59600869 D1	07.01.1999
		EP 0810952 B1	25.11.1998
		EP 0810952 A1	10.12.1997
		EP 0810952 B1	25.11.1998
		ES 2124625 T3	01.02.1999
		HU 9702245 A2	30.03.1998
		IL 116937 A	30.10.1998
		JP 11-500091	06.01.1999
		KR 10-1998-0702295	15.07.1998
		NZ 300142 A	25.02.1999
		PL 321942 A1	05.01.1998
		TR 9700740 T1	21.02.1998
		US 5725115	10.03.1998
US 5725115 A	10.03.1998		
WO 96-26122 A1	29.08.1996		
ZA 9601311 A	06.09.1996		
US 6474491 B1	05.11.2002	US 6474491	05.11.2002
		AT 220633 T	15.08.2002
		AU 1999-63478 A1	22.05.2000
		AU 6347899 A	22.05.2000
		BR 9914851 A	03.07.2001
		DE 69902186 D1	22.08.2002
		DE 69902186 T2	03.04.2003
		EP 1124734 A1	22.08.2001
		EP 1124734 B1	17.07.2002
		EP 1124734 A1	22.08.2001
		EP 1124734 B1	17.07.2002
		ES 2178482 T3	16.12.2002
		FR 2785264 A1	05.05.2000
		FR 2785264 B1	05.01.2001
		PA 01004170 A	24.04.2002
		US 6474491 B1	05.11.2002
		WO 00-26108 A1	11.05.2000