

(19) World Intellectual Property Organization
International Bureau



(43) International Publication Date
13 March 2008 (13.03.2008)

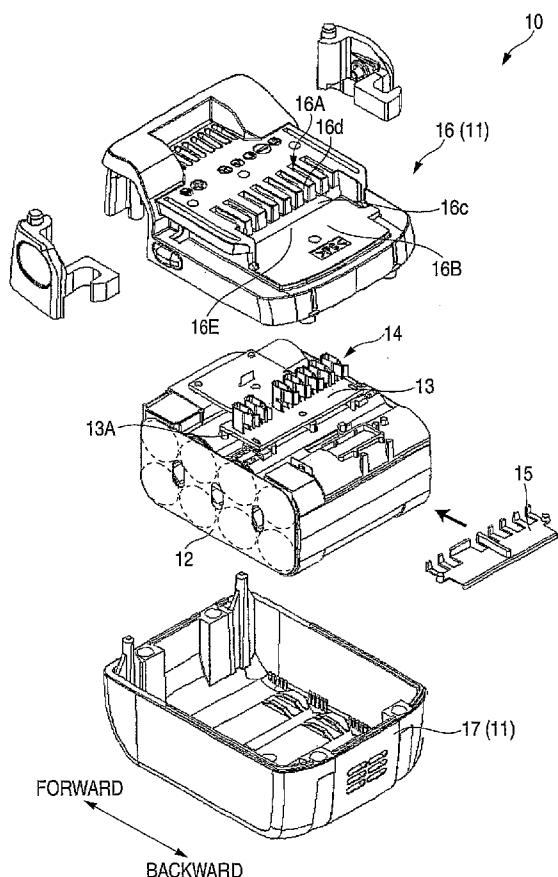
PCT

(10) International Publication Number
WO 2008/029958 A2

- (51) International Patent Classification:
H01M 2/30 (2006.01)
- (21) International Application Number:
PCT/JP2007/067893
- (22) International Filing Date:
7 September 2007 (07.09.2007)
- (25) Filing Language: English
- (26) Publication Language: English
- (30) Priority Data:
2006-243358 7 September 2006 (07.09.2006) JP
- (71) Applicant (for all designated States except US): Hitachi Koki Co., LTD. [JP/JP]; 15-1, Konan 2-chome, Minato-ku, Tokyo, 1086020 (JP).
- (72) Inventors; and
- (75) Inventors/Applicants (for US only): HANAWA, Hiroyuki. YOKOYAMA, Kousei. SAITOU, Keita.
- (74) Agents: NAITO, Teruo et al.; Shin-ei Patent Office, 7-13, Nishi-Shimbashi 1-chome, Minato-ku, Tokyo, 1050003 (JP).
- (81) Designated States (unless otherwise indicated, for every kind of national protection available): AE, AG, AL, AM, AT, AU, AZ, BA, BB, BG, BH, BR, BW, BY, BZ, CA, CH, CN, CO, CR, CU, CZ, DE, DK, DM, DO, DZ, EC, EE, EG, ES, FI, GB, GD, GE, GH, GM, GT, HN, HR, HU, ID, IL, IN, IS, KE, KG, KM, KN, KP, KR, KZ, LA, LC, LK, LR, LS, LT, LU, LY, MA, MD, ME, MG, MK, MN, MW, MX, MY, MZ, NA, NG, NI, NO, NZ, OM, PG, PH, PL, PT, RO, RS, RU, SC, SD, SE, SG, SK, SL, SM, SV, SY, TJ, TM, TN, TR, TT, TZ, UA, UG, US, UZ, VC, VN, ZA, ZM, ZW.
- (84) Designated States (unless otherwise indicated, for every kind of regional protection available): ARIPO (BW, GH, GM, KE, LS, MW, MZ, NA, SD, SL, SZ, TZ, UG, ZM, ZW), Eurasian (AM, AZ, BY, KG, KZ, MD, RU, TJ, TM), European (AT, BE, BG, CH, CY, CZ, DE, DK, EE, ES, FI, FR, GB, GR, HU, IE, IS, IT, LT, LU, LV, MC, MT, NL, PL,

[Continued on next page]

(54) Title: BATTERY PACK AND MOTOR-DRIVEN TOOL USING THE SAME



(57) Abstract: A battery pack (10) includes a housing (11), a group of cells (12), a board (13), a plurality of second terminals (14), and a cover (15). An opening (16c) is formed in the housing (11). The board (13) has a terminal arranging part (13A). A plurality of the second terminals (14) are arranged on the terminal arranging part (13A) of the board (13). The cover (15) has a plate-like shape, and covers an area of the board (13) which is positioned between the terminal arranging part (13A) and the opening (16c).

WO 2008/029958 A2



PT, RO, SE, SI, SK, TR), OAPI (BF, BJ, CF, CG, CI, CM,
GA, GN, GQ, GW, ML, MR, NE, SN, TD, TG).

Published:

— *without international search report and to be republished
upon receipt of that report*

DESCRIPTION

BATTERY PACK AND MOTOR-DRIVEN TOOL USING THE SAME

5 Technical Field

The present invention relates to a battery pack and a motor-driven tool employing the battery pack.

Background Art

10 Conventionally, there has been a motor-driven tool which is driven by a battery pack as a driving power, for the purpose of enhancing workability. This battery pack includes a housing formed with an opening, and a group of cells, a board, and a first terminal are contained
15 in the housing. The terminal is provided near the opening so as to be engaged with a second terminal of a body part of the motor-driven tool or a charger. The board is disposed at a position remote from the terminal and connected to the terminal by a lead wire.

20

Disclosure of the Invention

However, the conventional battery pack has had a complicated structure and an increased number of components, because the board and the terminal have been
25 positioned remote from each other. For this reason, the

battery pack has been expensive, and hence, the motor-driven tool employing the battery pack has been also expensive.

In view of the above, it is an object of the invention
5 to provide a battery pack which can be simplified in structure and can be produced at a low cost, and a motor-driven tool provided with the battery pack.

In order to attain the above described object, there is provided, according to the invention, a battery pack
10 including a housing formed with an opening through which a protective member for protecting a plurality of first terminals of an electric apparatus is adapted to be inserted, a board disposed in the housing and having a terminal arranging part, a plurality of second terminals
15 positioned in the housing and provided on the terminal arranging part of the board, the second terminals being adapted to be engaged with the first terminals, and a cover which covers an area of the board positioned between the terminal arranging part and the opening.

20 In this case, it would be preferable that the cover is clamped between the board and the housing.

Further, it would be preferable that the plurality of the second terminals includes a terminal with positive polarity and a terminal with negative polarity, and the
25 cover is provided with a protuberance between the terminal

with positive polarity and the terminal with negative polarity at a front side in a direction of inserting the first terminals.

Still further, it would be preferable that the cover
5 is provided with projected parts which are interposed between the adjacent terminals of the plurality of the second terminals.

Still further, it would be preferable that the cover is provided with erected parts which extend in a direction
10 perpendicular to the board, at a back side of the projected parts in the direction of inserting the first terminals.

Moreover, in order to attain the above described object, there is provided, according to an aspect of the invention, a motor-driven tool comprising a body part
15 having an output part, a grasping part extended from the body part, and a battery pack which is detachably mounted on the grasping part, characterized in that the battery pack includes a housing formed with an opening, a board disposed in the housing and having a terminal arranging
20 part, a plurality of terminals positioned in the housing and provided on the terminal arranging part of the board, and a cover which covers an area of the board positioned between the terminal arranging part and the opening.

According to another aspect of the invention,
25 because the cover which covers the area of the board

positioned between the terminal arranging part and the opening is provided on the relevant area, it is possible to restrain intrusion of a foreign material onto the board, and hence, damage of the board by the foreign material can be restrained. Moreover, because a plurality of the second terminals are mounted on the terminal arranging part of the board, and there is provided the cover which covers the area of the board positioned between the terminal arranging part and the opening, the structure of the battery pack can be simplified, and the battery pack can be produced at a low cost.

According to another aspect of the invention, because the cover is clamped between the board and the housing, it is possible to position the cover without providing a positioning member.

According to another aspect of the invention, because the cover is provided with the protuberance between the terminal with positive polarity and the terminal with negative polarity at the front side in the direction of inserting the first terminals, even in case where a nail or the like has entered into the opening of the housing, for example, it is possible to prevent a short circuit which will occur when the nail has come into contact with the terminal with positive polarity and the terminal with negative polarity at the same time.

Still further, according to another aspect of the invention, because the cover is provided with the projected parts which are interposed between the adjacent terminals of a plurality of the second terminals, it is possible to restrain intrusion of a foreign material onto the board through between the adjacent terminals, and hence, damage of the board by the foreign material can be restrained.

Still further, according to another aspect of the invention, because the cover is provided with the erected parts which extend in the direction perpendicular to the board, at the back side of the projected parts in the direction of inserting the first terminals, it is possible to restrain intrusion of a foreign material from a front side to a back side in the direction of inserting the first terminals through between the adjacent terminals.

Still further, according to another aspect of the invention, because the motor-driven tool has the battery pack which is provided with a plurality of the terminals on the terminal arranging part of the board, and the cover which covers the area of the board positioned between the terminal arranging part and the opening, it is possible to provide a low-cost motor-driven tool.

25 Brief Description of the Drawings

Fig. 1 is a perspective view of a motor-driven tool provided with a battery pack in an embodiment according to the invention.

Fig. 2 is a perspective view of a body part of the motor-driven tool in Fig. 1 in a state inverted upside
5 down.

Fig. 3 is a perspective view of the battery pack in the embodiment according to the invention.

Fig. 4 is an exploded perspective view of the battery
10 pack in the embodiment according to the invention.

Fig. 5 is a plan view showing a group of cells, a board and second terminals of the battery pack in the embodiment according to the invention.

Fig. 6 is a perspective view of a cover of the battery
15 pack in the embodiment according to the invention.

Fig. 7 is a view showing the cover in a state mounted on the group of cells, the board and the second terminals as shown in Fig. 5.

Fig. 8 is a perspective view of the group of cells,
20 the board, the second terminals, and the cover of the battery pack in the embodiment according to the invention.

Fig. 9 is a sectional view taken along a line IX-IX in Fig. 3.

25 Best Mode for Carrying Out the Invention

The battery pack and the motor-driven tool provided with the battery pack in an embodiment according to the invention will be described referring to Figs. 1 to 9. In the following description, the direction as shown in Figs. 1 to 8 will be referred to as the longitudinal direction. As shown in Fig. 1, a drill 1 as the motor-driven tool mainly includes a body part 2, a handle 3, and a battery pack 10.

A motor, which is not shown, is incorporated in the body part 2, and a tool holding part 2A which is an output part and to which a drill bit 4 can be fitted is provided at a distal end portion of the body part 2. The handle 3 is extended from a backward end area of the body part 2, and a trigger 3A is provided at a base end of the extended area. The trigger 3A will control electric power which is supplied from the battery pack 10 to the motor which is not shown. Moreover, as shown in Fig. 2, a plurality of first terminals 3B in a plate-like shape which are adapted to be engaged with a plurality of second terminals 14, which will be described below, are provided at an end of the handle 3 in the extended direction thereof.

The battery pack 10 is mounted to a distal end portion of the handle 3 in the extended direction so as to be attached or detached along the longitudinal direction of the drill 1. The battery pack 10 will be described

in detail referring to Figs. 3 to 8. The battery pack 10 includes a housing 11, a group of cells 12, a board 13, a plurality of the second terminals 14, and a cover 15. The housing 11 includes an upper housing 16 and a lower housing 17, and contains therein the group of cells 12, the board 13, a plurality of the second terminals 14, and the cover 15. The upper housing 16 mainly includes a terminal inserting part 16A and an opening defining part 16B. An opening 16c in a substantially rectangular shape is defined by the terminal inserting part 16A and the opening defining part 16B. The opening 16c serves as an insertion inlet into which a plate-shaped protective member for protecting a terminal of the charger, which is not shown, is to be inserted, when the battery pack 10 is charged by connecting it to the charger. The terminal inserting part 16A has a plurality of slots 16d which open backward.

As shown in Fig. 4, the group of cells 12 includes a plurality of cells. Each of the cells is a nickel metal hydride battery or a lithium-ion battery which can be charged and discharged at a plurality of times. The board 13 is provided above the group of cells 12 and electrically connected to the group of cells 12. As shown in Fig. 5, a terminal arranging part 13A extending along the longitudinal direction of the opening 16c is defined on

the board 13. Moreover, a backward end edge 13B of the board 13 is so arranged as to be opposed to a forward end edge 16E (See Fig. 4) of the opening defining part 16B of the upper housing 16.

5 A plurality of the second terminals 14 are arranged on the terminal arranging part 13A of the board 13 in parallel along the longitudinal direction of the opening 16c, and electrically connected to the board 13. A plurality of the second terminals 14 will be respectively
10 positioned in the slots 16d, when the battery pack 10 has been integrally assembled (See Fig. 9). Moreover, as shown in Fig. 5, each of the second terminals 14 has such a shape that a flat plate is bent into U-shape and both end portions of the flat plate are brought into
15 contact with each other so as to close an open end thereof. When the battery pack 10 is attached to the distal end portion of the handle 3, the first terminals 3B will be inserted into the slots 16d from the back, and pressure-fitted into the second terminals 14 in a manner
20 of spreading the open ends thereof, whereby the first terminals 3B will be engaged with the second terminals 14.

A plurality of the second terminals 14 includes a charging terminal with positive polarity 14A1, a
25 discharging terminal with positive polarity 14A2, a

charging and discharging terminal with negative polarity 14B, and signal transmitting terminals 14C1, 14C2. The terminals with positive polarity 14A1, 14A2 and the terminal with negative polarity 14B are positioned near
5 opposite ends of the terminal arranging part 13A, and the signal transmitting terminals 14C1 are positioned between them. The terminals with positive polarity 14A1, 14A2 and the terminal with negative polarity 14B will make a short circuit, when a nail or the like has come
10 into contact with them at the same time. On the other hand, the signal transmitting terminals 14C1, 14C2 are so constructed that they will not make a short circuit, even though a nail or the like has come into contact with them at the same time. The electric power stored in the
15 group of cells 12 will be supplied to the body part 2 through the board 13 and the second terminals 14. Moreover, the electric power will be supplied from the charger, which is not shown, to the group of cells 12 through the board 13 and the second terminals 14, whereby
20 the group of cells 12 will be charged.

The cover 15 will be described referring to Figs. 6 to 9. Fig. 7 shows the cover 15 in a state mounted on the board 13 and the second terminals 14 which are shown in Fig. 5. The cover 15 includes a board covering
25 part 15A, a pair of clamped parts 15B, a protuberance

15C, a plurality of projected parts 15D, and a plurality
of erected parts 15E. The board covering part 15A is
formed in a shape of a plate having a substantially same
width as a longitudinal length of the opening 16c. The
5 board covering part 15A covers an area of the board 13
which is positioned between the terminal arranging part
13A and the opening 16c.

The pair of the clamped parts 15B are respectively
provided at opposite ends of the board covering part 15A
10 in a lateral direction. As shown in Fig. 9, the clamped
parts 15B are clamped between the upper housing 16 and
the board 13. In this manner, the cover 15 is fixed and
positioned inside the housing 11. Moreover, as shown
in Figs. 7 and 8, the protuberance 15C is formed so as
15 to extend from a back side to a front side of the board
covering part 15A, at a position between the terminals
with positive polarity 14A1, 14A2 and the terminal with
negative polarity 14B.

As shown in Figs. 6 and 7, a plurality of the projected
20 parts 15D are respectively extended from a forward end
edge of the board covering part 15A up to almost forward
ends of a plurality of the second terminals 14 so as to
be interposed between the adjacent terminals of a
plurality of the second terminals 14. As shown in Figs.
25 6, 8, and 9, a plurality of the erected parts 15E are

respectively extended from forward ends of the projected parts 15D in a direction perpendicular to the board 13, up to the terminal inserting part 16A of the upper housing 16.

5 As described above, according to the battery pack 10 in this embodiment, the cover 15 is provided on the board 13, and the board covering part 15A covers the area of the board 13 which is positioned between the terminal arranging part 13A of the board 13 and the opening 16c. 10 Therefore, it is possible to restrain intrusion of a foreign material such as a nail onto the board 13 through the opening 16c, and damage of the board 13 by the foreign material can be restrained. Moreover, the cover 15 is clamped between the upper housing 16 and the board 13 15 by means of a pair of the clamped parts 15B. In this manner, the cover 15 is fixed and positioned inside the housing, and so, it is possible to position the cover 15 without particularly providing a positioning member.

 Further, the protuberance 15C is provided on the 20 board covering part 15A at a position between the terminals with positive polarity 14A1, 14A2 and the terminal with negative polarity 14B. Therefore, even in case where a nail or the like has entered into the opening 16c of the housing 11, for example, it is possible to prevent 25 a short circuit which will occur when the nail has come

into contact with the terminals with positive polarity 14A1, 14A2 and the terminal with negative polarity 14B at the same time. Still further, a plurality of the projected parts 15D are respectively interposed between
5 the adjacent terminals of a plurality of the second terminals 14. As the results, it is possible to restrain intrusion of a foreign material onto the board 13 through between the adjacent terminals, whereby damage of the board 13 by the foreign material can be restrained. Still
10 further, a plurality of the erected parts 15E are respectively extended from the forward ends of the projected parts 15D up to the terminal inserting part 16A of the upper housing 16. As the results, it is possible to restrain intrusion of a foreign material from the back
15 side to the front side of the second terminals 14 through between the adjacent terminals.

According to the battery pack 10 in this embodiment, a plurality of the second terminals 14 are provided on the terminal arranging part of the board 13, and there
20 is provided the cover 15 which covers the area of the board 13 positioned between the terminal arranging part 13A and the opening 16c. As the results, the battery pack 10 can be simplified in structure, and can be produced at a low cost. Moreover, according to the motor-driven
25 tool 1 in this embodiment, the motor-driven tool 1 is

provided with the low-cost battery pack 10. Consequently,
it is possible to provide a low-cost motor-driven tool
1.

The battery pack and the motor-driven tool provided
5 with the battery pack according to this invention is not
limited to the above described embodiment, but various
modifications and improvements can be made within a scope
as described in the scope of claims for patent.

CLAIMS

1. A battery pack, comprising

a housing formed with an opening through which a
5 protective member for protecting a plurality of first
terminals of an electric apparatus is adapted to be
inserted;

a board disposed in the housing and having a terminal
arranging part;

10 a plurality of second terminals positioned in the
housing and provided on the terminal arranging part of
the board, the second terminals being adapted to be engaged
with the first terminals, and

a cover which covers an area of the board positioned
15 between the terminal arranging part and the opening.

2. A battery pack as claimed in claim 1, wherein
the cover is clamped between the board and the housing.

20 3. A battery pack as claimed in claim 1 or 2,
wherein the plurality of the second terminals includes
a terminal with positive polarity and a terminal with
negative polarity, and

the cover is provided with a protuberance between
25 the terminal with positive polarity and the terminal with

negative polarity at a front side in a direction of inserting the first terminals.

4. A battery pack as claimed in any one of claims
5 1 to 3, wherein the cover is provided with projected parts
which are interposed between adjacent terminals of the
plurality of the second terminals.

5. A battery pack as claimed in any one of claims
10 1 to 4, wherein the cover is provided with erected parts
which extend in a direction perpendicular to the board,
at a back side of the projected parts in the direction
of inserting the first terminals.

15 6. A motor-driven tool comprising
a body part having an output part;
a grasping part extended from the body part; and
a battery pack which is detachably mounted on the
grasping part, the battery pack including;
20 a housing formed with an opening,
a board disposed in the housing and having
a terminal arranging part,
a plurality of terminals positioned in the
housing and provided on the terminal arranging
25 part of the board, and

a cover covering an area of the board positioned between the terminal arranging part and the opening.

FIG. 1

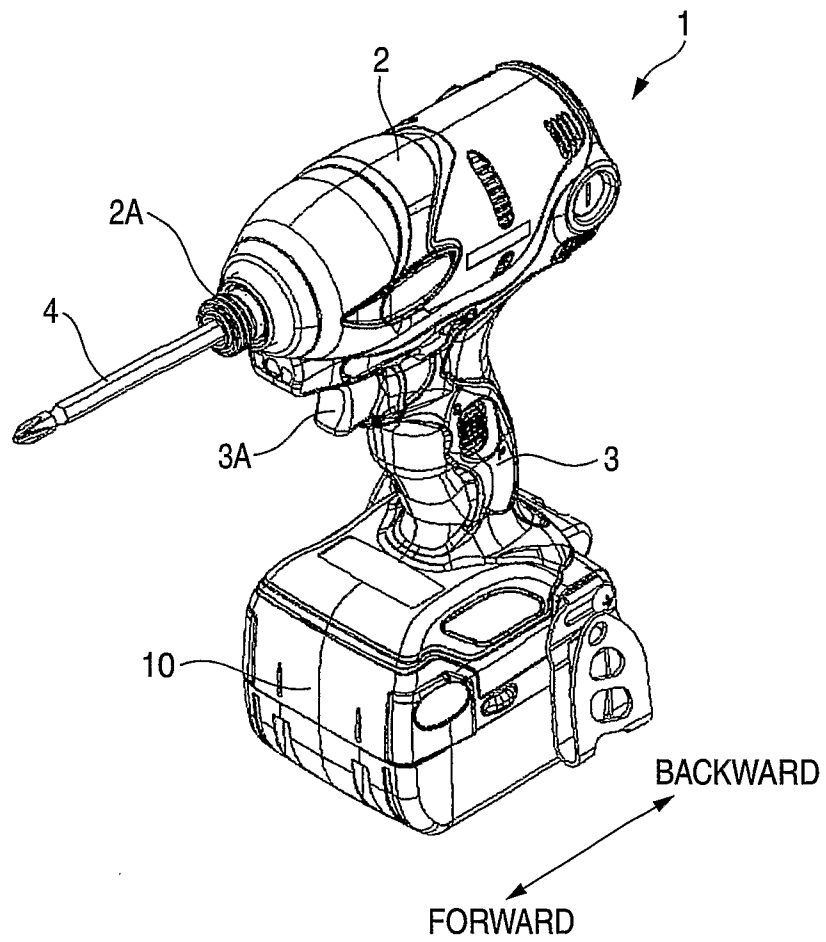


FIG. 2

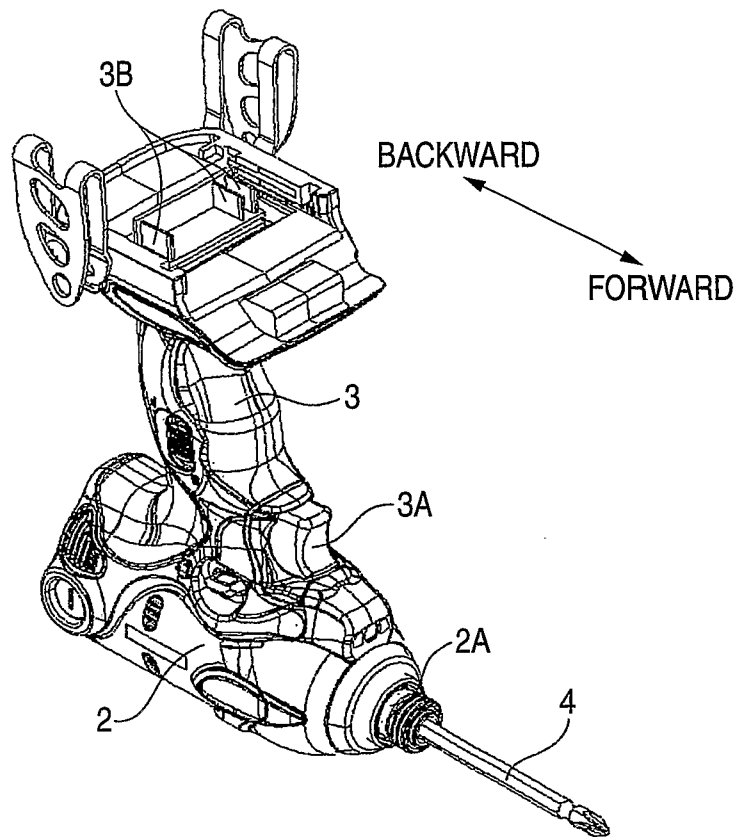


FIG. 3

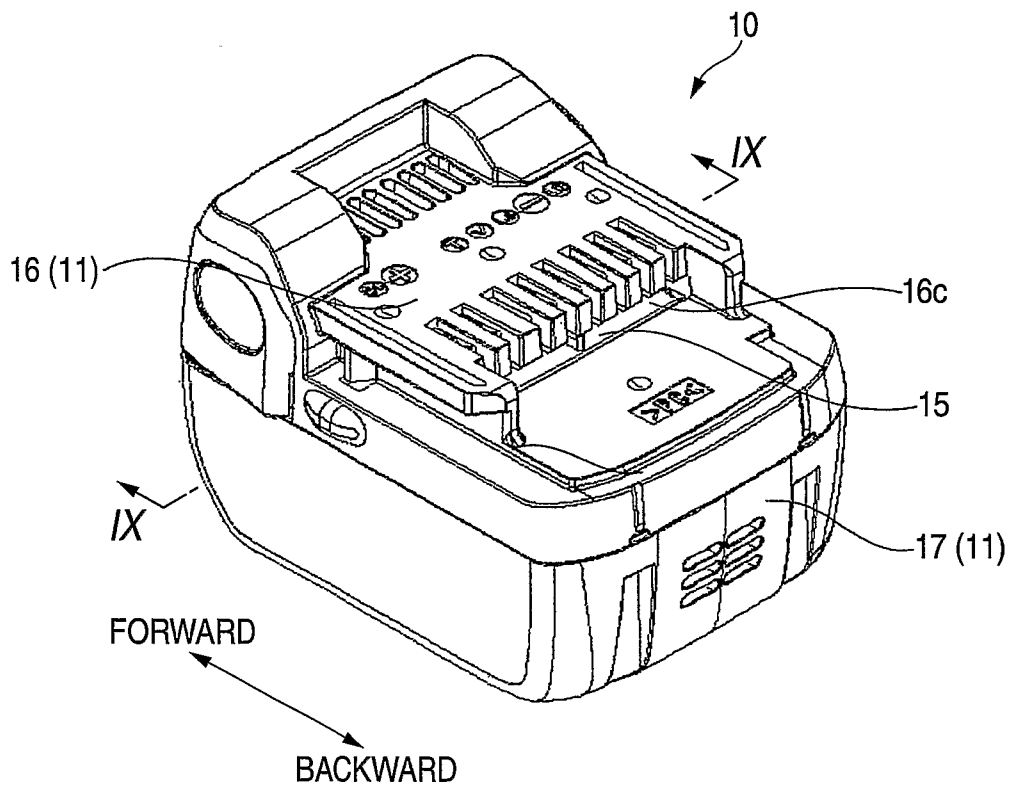


FIG. 4

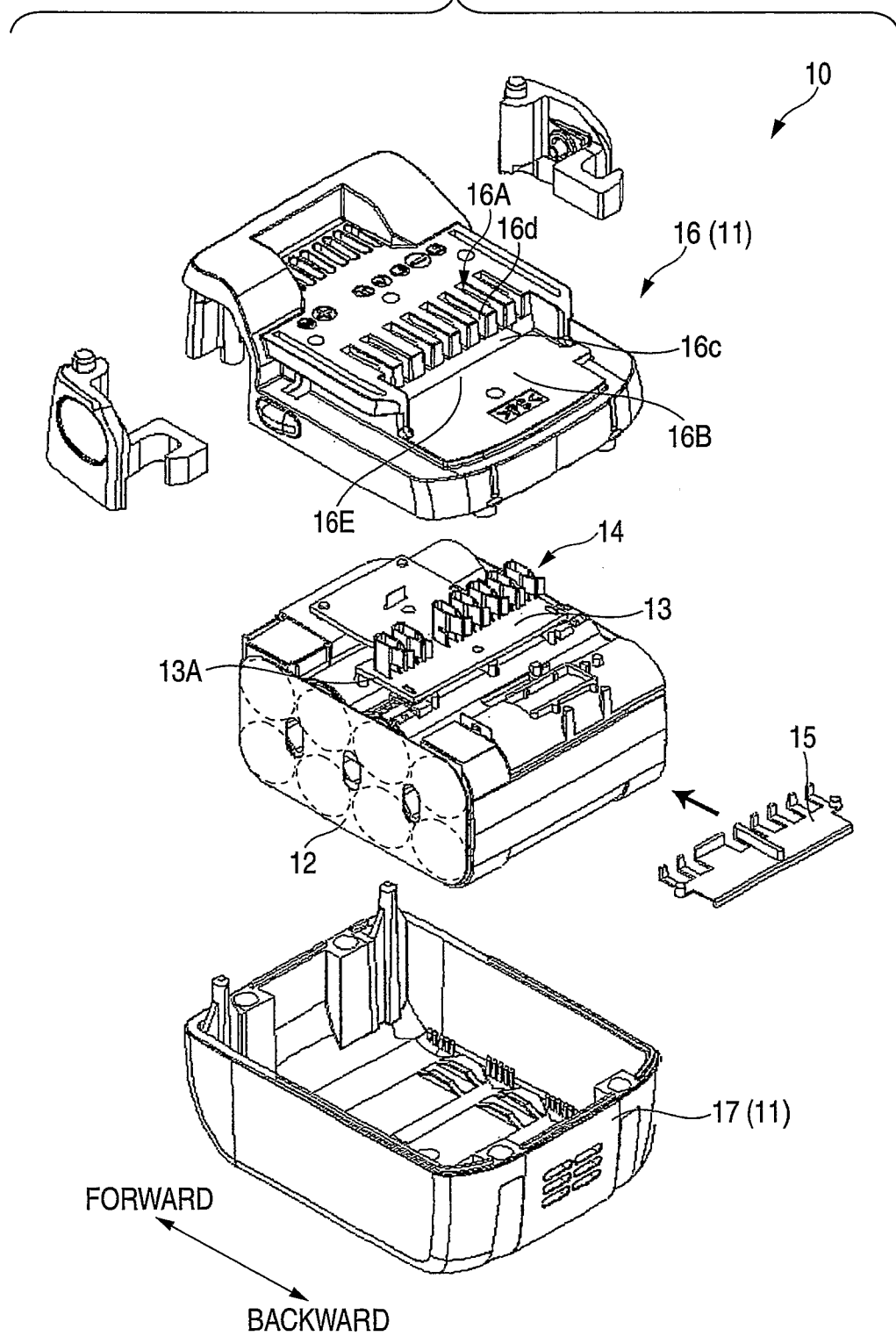


FIG. 5

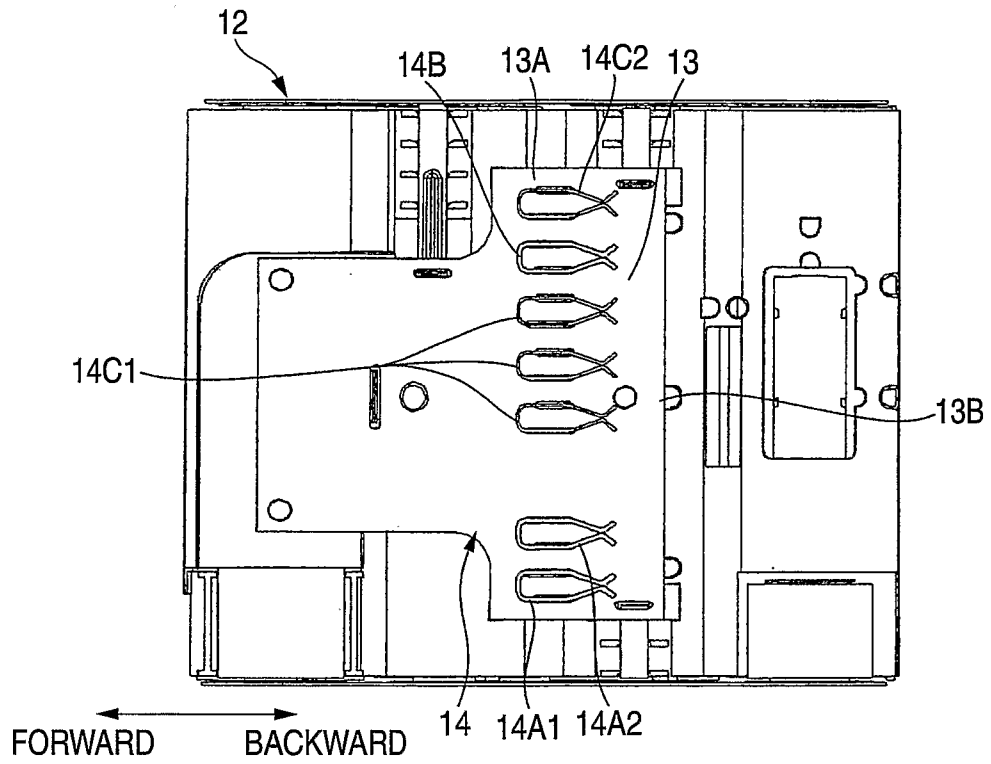


FIG. 6

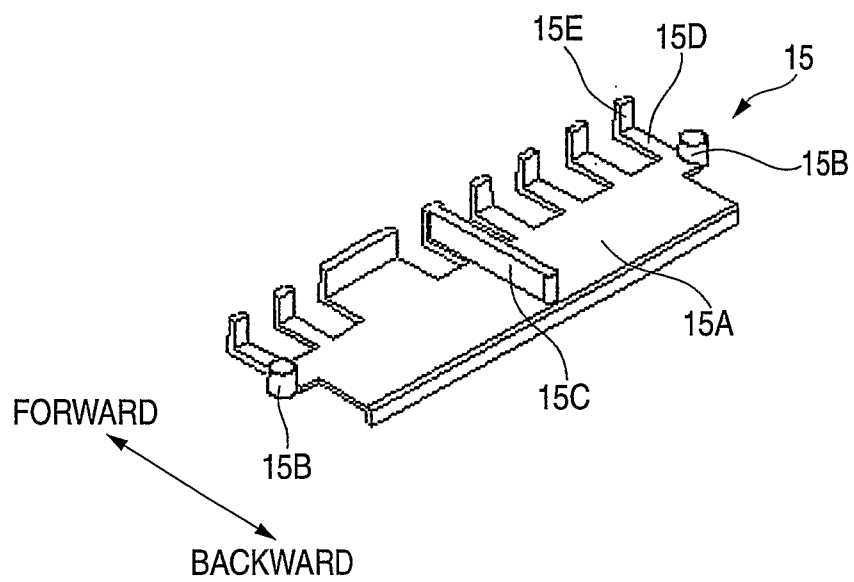


FIG. 7

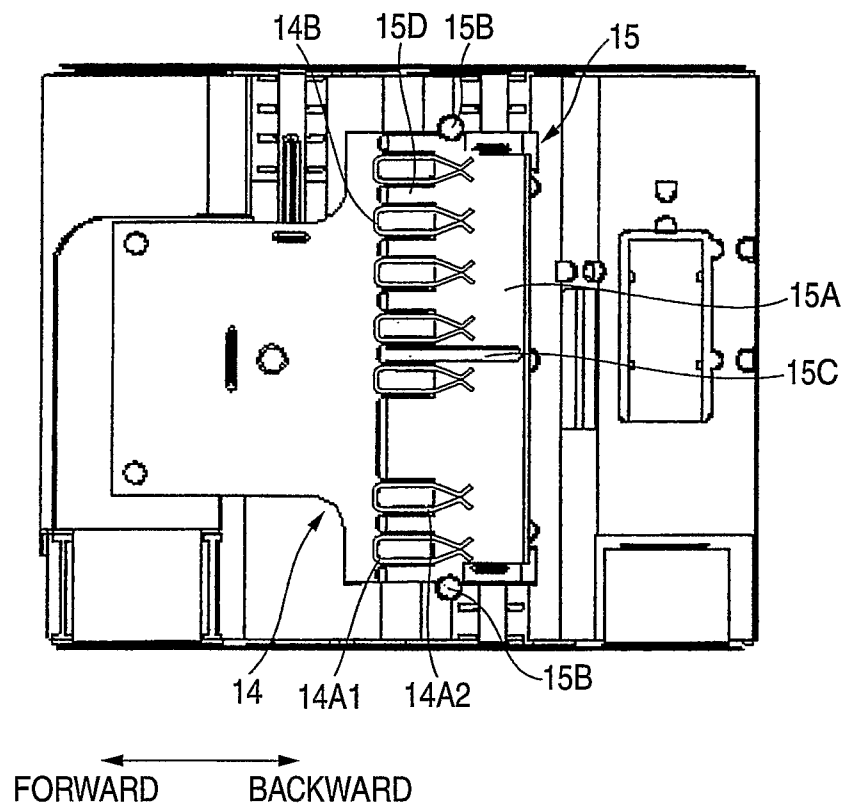


FIG. 8

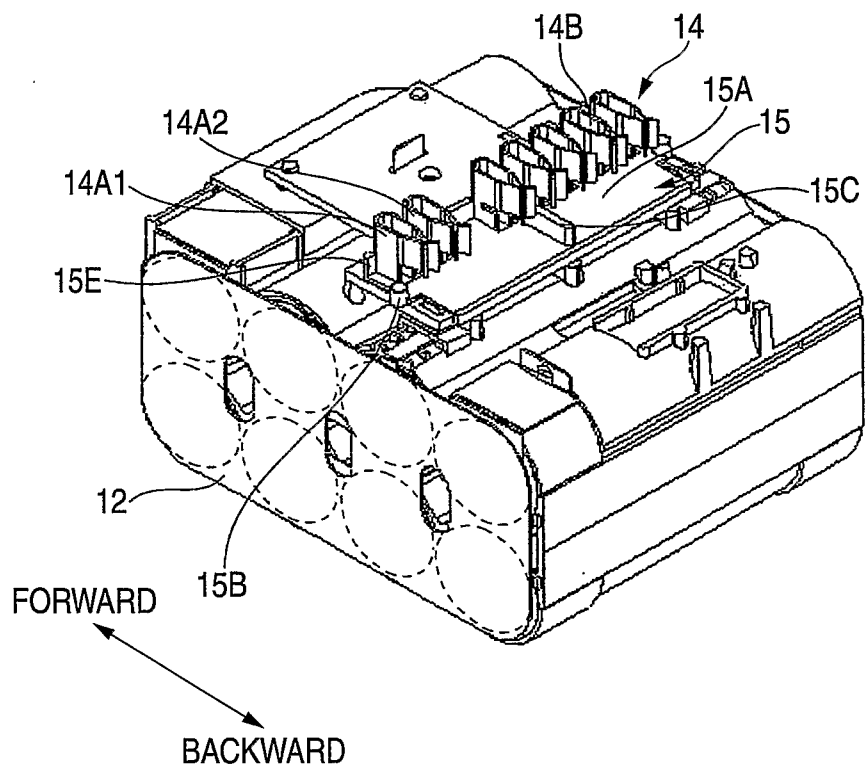


FIG. 9

