



US00D787111S

(12) **United States Design Patent**
Khanampornpan

(10) **Patent No.:** **US D787,111 S**

(45) **Date of Patent:** **** May 16, 2017**

(54) **LAMP HOLDER**

(71) Applicant: **Viroj Khanampornpan**, Bangkok (TH)

(72) Inventor: **Viroj Khanampornpan**, Bangkok (TH)

(73) Assignee: **Viroj Khanampornpan**, Bangkok (TH)

(**) Term: **15 Years**

(21) Appl. No.: **29/527,876**

(22) Filed: **May 22, 2015**

(51) **LOC (10) Cl.** **26-99**

(52) **U.S. Cl.**
USPC **D26/138**

(58) **Field of Classification Search**
USPC D13/133, 134, 135, 149, 154, 173, 180;
D26/2, 24, 25, 37, 40, 60, 61, 63, 73, 81,
D26/93, 110, 113, 118-124, 128, 138,
D26/140, 141, 142
CPC H01R 33/02; H01R 33/05; H01R 33/08;
H01R 33/0827; H01R 33/0836; H01R
33/20; H01R 4/4818; H01K 3/00; H01K
1/40; H01K 5/02

See application file for complete search history.

2,814,788 A * 11/1957 Godfrey H01R 33/0836
439/243

3,005,175 A * 10/1961 Pistey H01R 33/0827
439/242

3,351,884 A * 11/1967 Pistey H01R 33/08
439/244

3,466,594 A * 9/1969 Detch F21V 19/008
439/233

4,084,873 A * 4/1978 Grate H01R 33/08
439/226

D406,814 S * 3/1999 Henrici D13/134

6,290,522 B1 * 9/2001 Campolo H01R 33/0854
439/241

6,641,419 B1 * 11/2003 Richardson F21V 19/008
439/230

D491,890 S * 6/2004 Henrici D13/134

D550,884 S * 9/2007 Tufano D26/75

(Continued)

Primary Examiner — Garth Rademaker
Assistant Examiner — Richard Kearney
(74) *Attorney, Agent, or Firm* — Kim Winston LLP

(57) **CLAIM**
The ornamental design for a lamp holder, as shown and described.

DESCRIPTION

FIG. 1 is an exploded right side view of a lamp holder in accordance with the new design;
FIG. 2 is a top plan view of the lamp holder of FIG. 1;
FIG. 3 is a left side view of the lamp holder of FIG. 1;
FIG. 4 is a back side view of the lamp holder of FIG. 1;
FIG. 5 is a right side view of the lamp holder of FIG. 1;
FIG. 6 is a front side view of the lamp holder of FIG. 1;
FIG. 7 is a perspective view of the lamp holder of FIG. 1; and,
FIG. 8 is a bottom plan view of the lamp holder of FIG. 1.
The broken lines in FIGS. 1-7 illustrate portions of the lamp holder which form no part of the claimed design.

(56) **References Cited**
U.S. PATENT DOCUMENTS

2,247,117 A * 6/1941 De Reamer H01R 33/08
362/217.08

2,412,826 A * 12/1946 Mills H01R 33/02
200/51.09

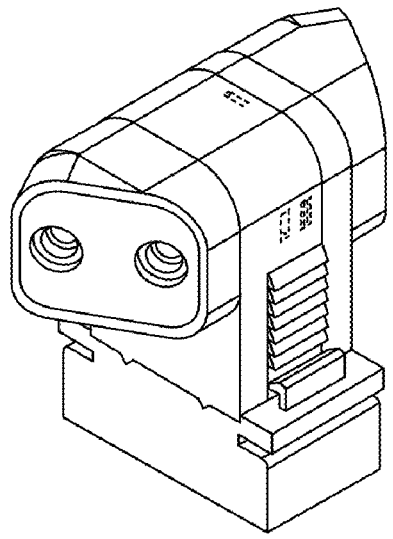
2,415,496 A * 2/1947 Ingwersen H01R 33/02
200/51 R

2,441,929 A * 5/1948 Burt H01R 33/08
439/241

2,604,505 A * 7/1952 De Reamer H01R 33/02
439/244

2,769,152 A * 10/1956 Fortin H01R 33/0836
439/241

1 Claim, 1 Drawing Sheet



(56)

References Cited

U.S. PATENT DOCUMENTS

7,597,575	B2 *	10/2009	Tufano	H01R 4/4818	439/239
7,862,357	B2 *	1/2011	Tufano	H01R 4/4818	439/239
8,038,458	B2 *	10/2011	Tufano	H01R 4/4818	439/239
D647,850	S *	11/2011	Osada	D13/134	
D647,851	S *	11/2011	Osada	D13/134	
8,308,497	B2 *	11/2012	Zayas	H01R 33/0854	439/236
8,333,602	B2 *	12/2012	Galluccio	H01R 33/0836	439/241
2010/0081339	A1 *	4/2010	Galluccio	H01R 33/08	439/699.2
2011/0003497	A1 *	1/2011	Pornpan	H01R 33/08	439/226
2011/0317408	A1 *	12/2011	Chen	F21V 19/0085	362/217.14

* cited by examiner

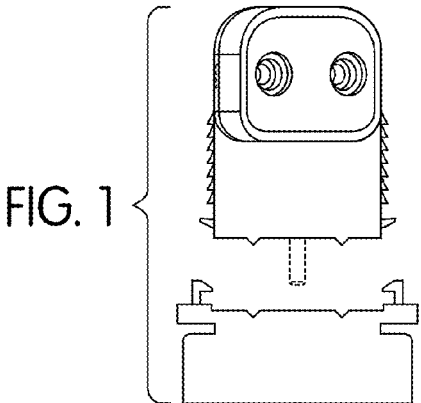


FIG. 1

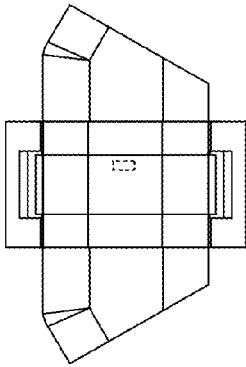


FIG. 2

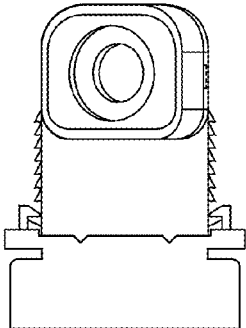


FIG. 3

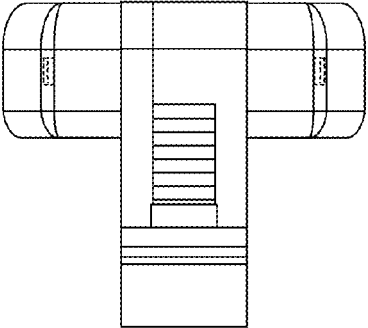


FIG. 4

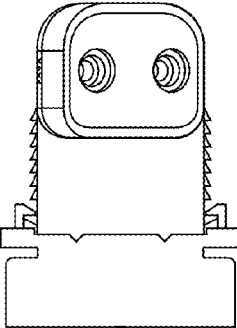


FIG. 5

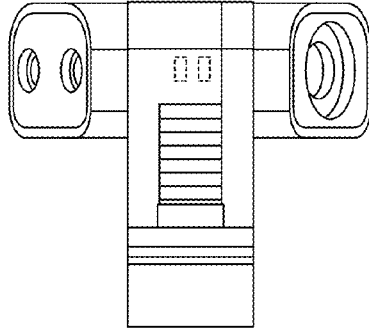


FIG. 6

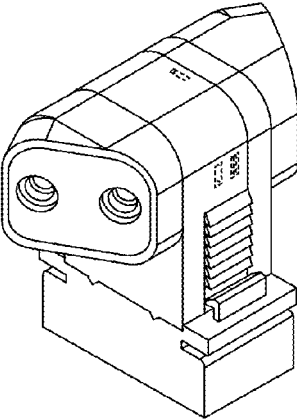


FIG. 7

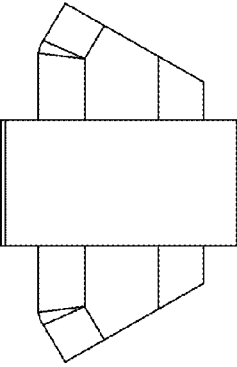


FIG. 8