



US00D855175S

(12) **United States Design Patent**
Epple

(10) **Patent No.:** **US D855,175 S**

(45) **Date of Patent:** **** Jul. 30, 2019**

- (54) **PURGE CASSETTE OF A CATHETER PUMP**
- (71) Applicant: **CARDIOBRIDGE GMBH**, Hechingen (DE)
- (72) Inventor: **Klaus Epple**, Rangendingen (DE)
- (**) Term: **15 Years**
- (21) Appl. No.: **35/503,115**
- (22) Filed: **Dec. 9, 2016**

5,807,075 A *	9/1998	Jacobsen	A61M 5/142
			417/313
5,899,674 A *	5/1999	Jung	A61M 1/0058
			417/477.2
D471,274 S *	3/2003	Diaz	D24/111
D557,803 S *	12/2007	Muri	D24/111
D585,543 S *	1/2009	Yodfat	D24/111
D677,783 S *	3/2013	Naef	D24/111
D781,413 S *	3/2017	Medugorac	D24/111
D815,731 S *	4/2018	Medugorac	D24/111
2004/0034331 A1 *	2/2004	Toman	A61M 5/14216
			604/500

* cited by examiner

Primary Examiner — Darlington Ly

- (80) **Hague Agreement Data**
- Int. Filing Date: **Dec. 9, 2016**
- Int. Reg. No.: **DM/094072**
- Int. Reg. Date: **Dec. 9, 2016**
- Int. Reg. Pub. Date: **Jun. 9, 2017**

(57) **CLAIM**

The ornamental design for a purge cassette of a catheter pump, as shown and described.

- (51) **LOC (11) Cl.** **24-02**
- (52) **U.S. Cl.**
- USPC **D24/111**
- (58) **Field of Classification Search**
- USPC D24/108, 110, 111, 127-130
- CPC A61M 3/0258; A61M 5/14228; A61M 2205/12
- See application file for complete search history.

DESCRIPTION

1. Purge cassette of a catheter pump

FIG. 1.1 is a front perspective view of a purge cassette of a catheter pump showing my new design;

FIG. 1.2 is a rear perspective view thereof;

FIG. 1.3 is a front elevation view thereof;

FIG. 1.4 is a rear elevation view thereof;

FIG. 1.5 is a left side elevation view thereof;

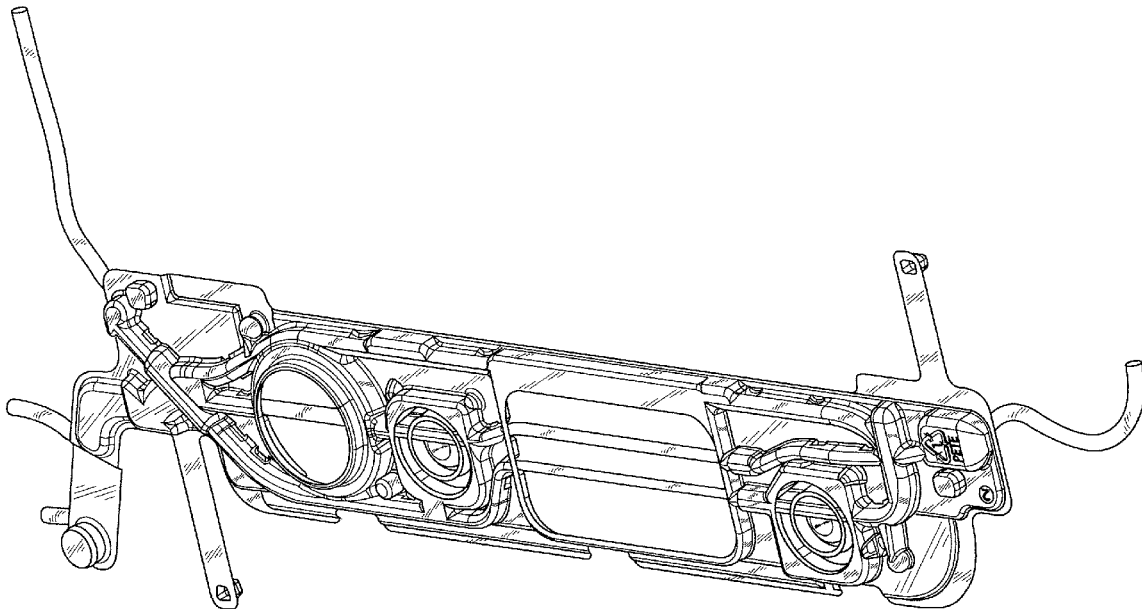
FIG. 1.6 is a right side elevation view thereof;

FIG. 1.7 is a top plan view thereof; and

FIG. 1.8 is a bottom plan view thereof.

1 Claim, 8 Drawing Sheets

- (56) **References Cited**
- U.S. PATENT DOCUMENTS**
- D305,150 S * 12/1989 Pastrone D24/111
- 5,743,878 A * 4/1998 Ross A61M 5/14244
- 604/131



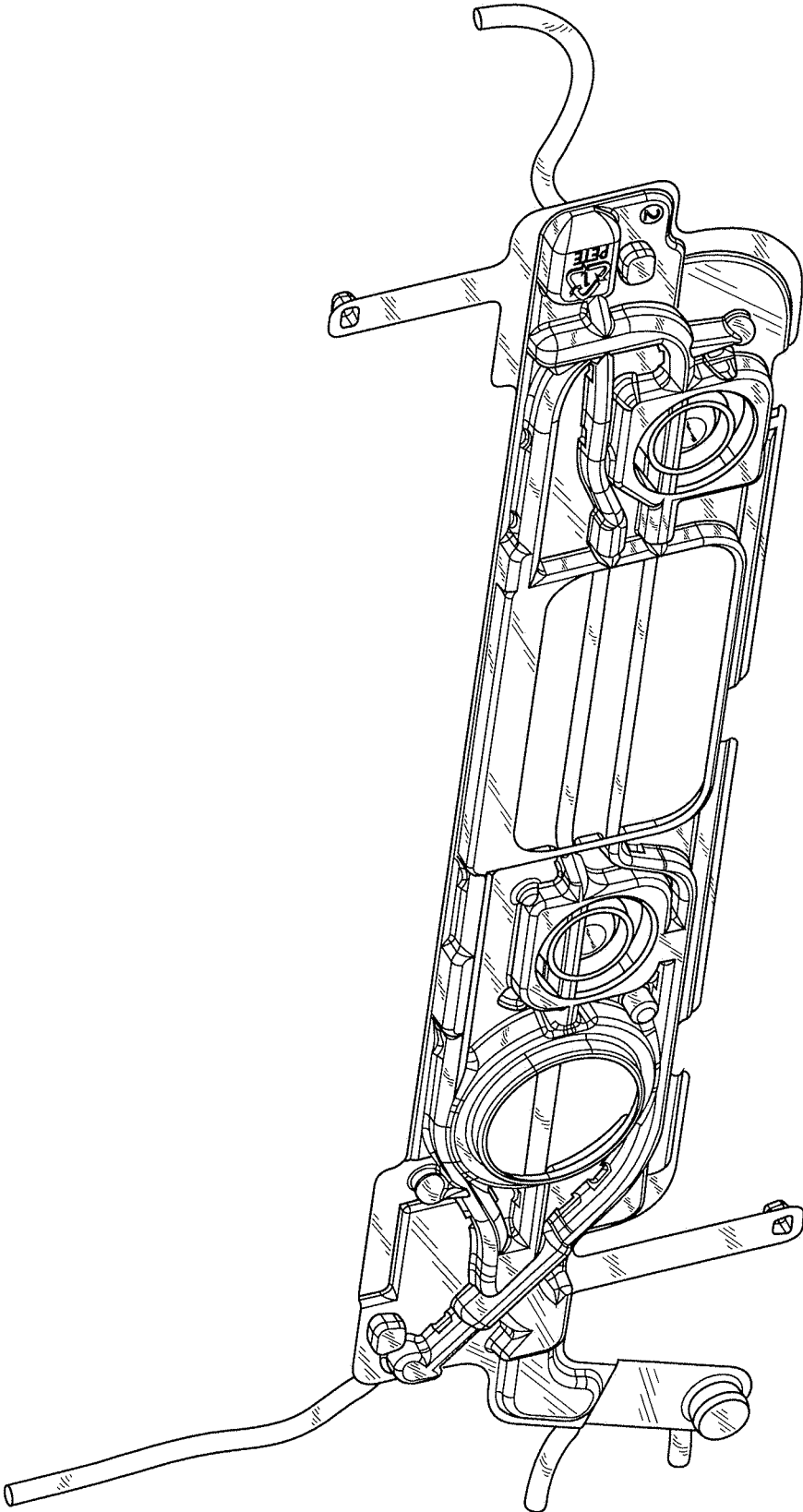


FIG. 1.1

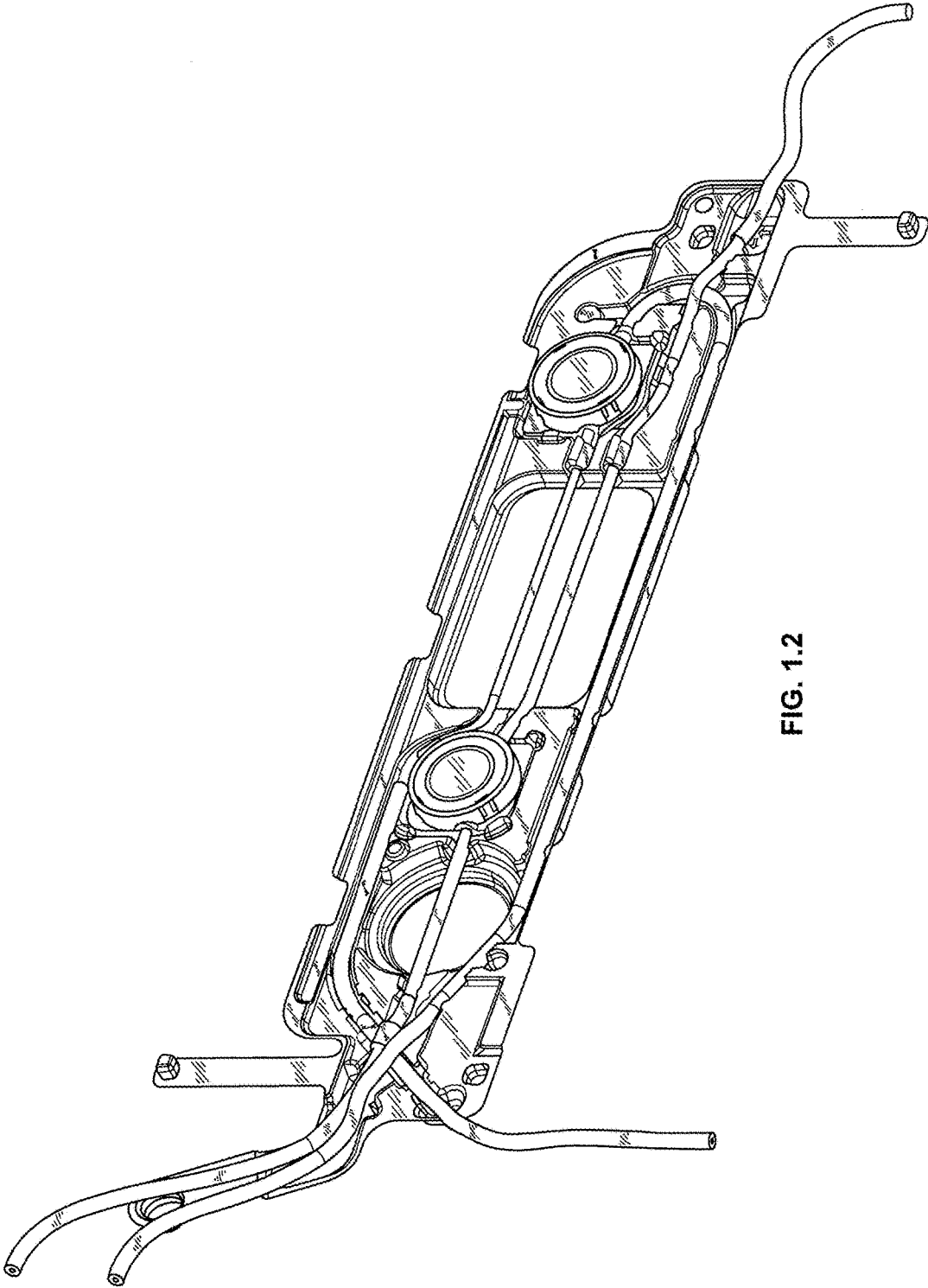


FIG. 1.2

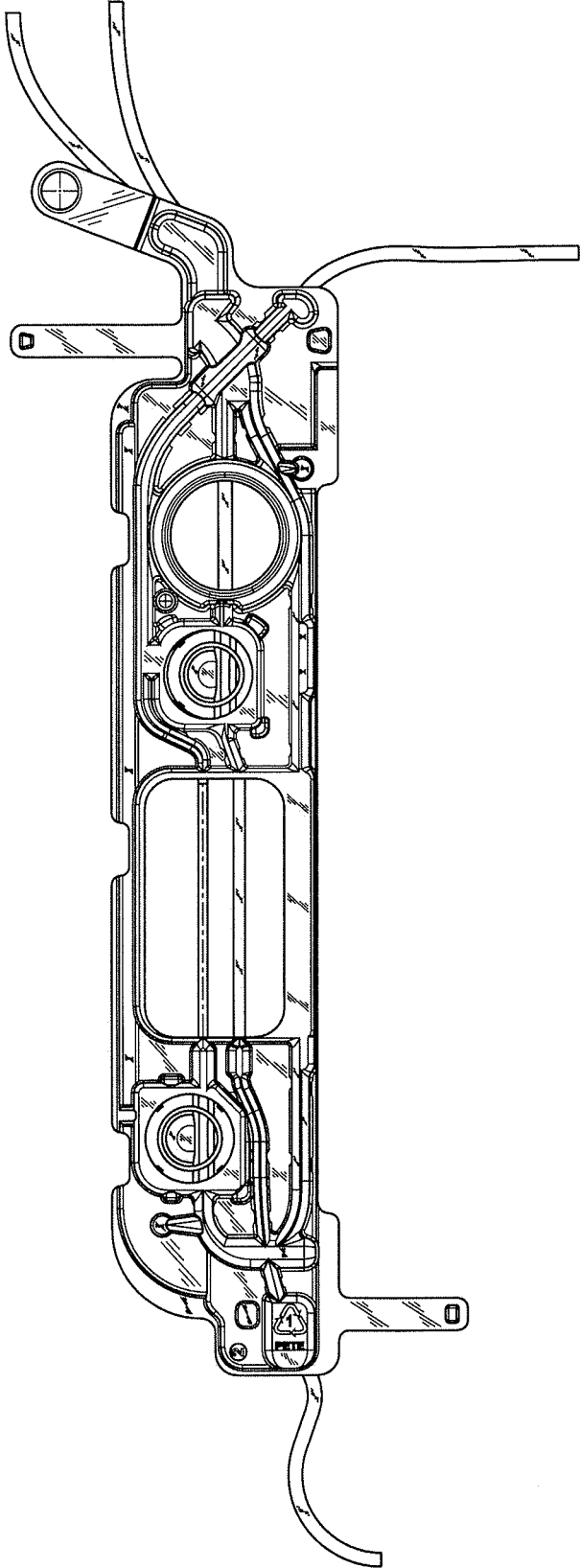


FIG. 1.3

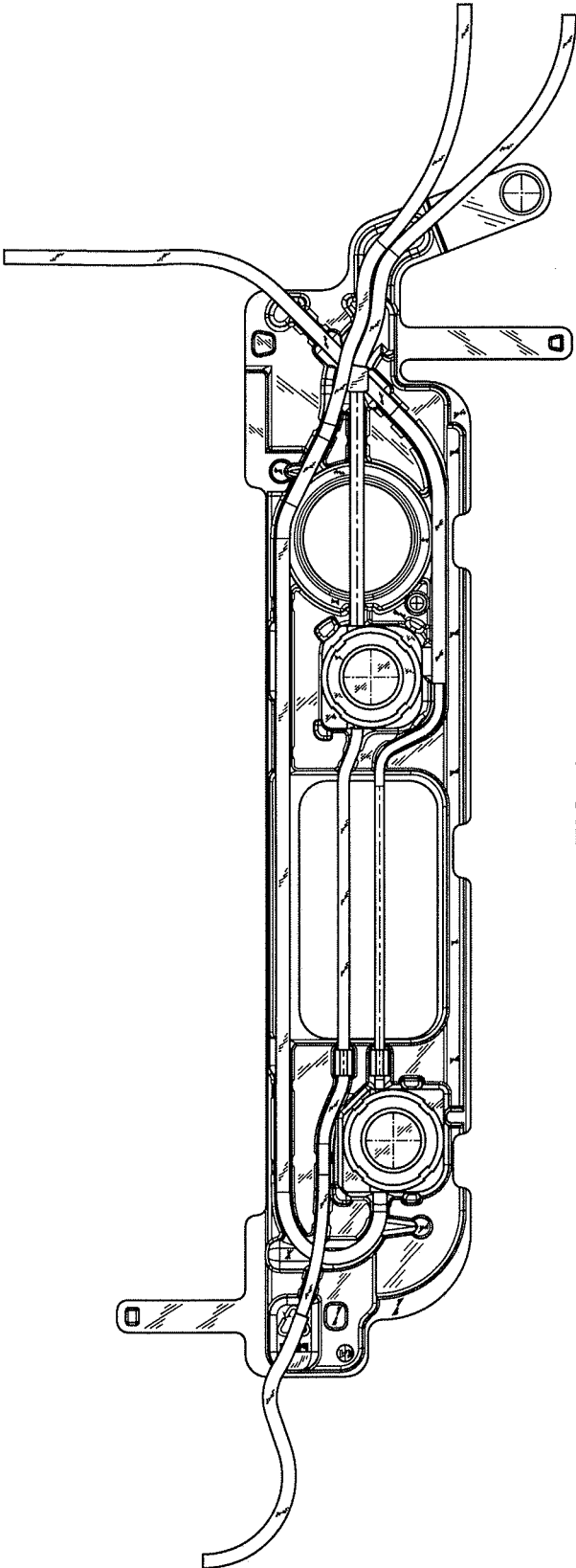


FIG. 1.4

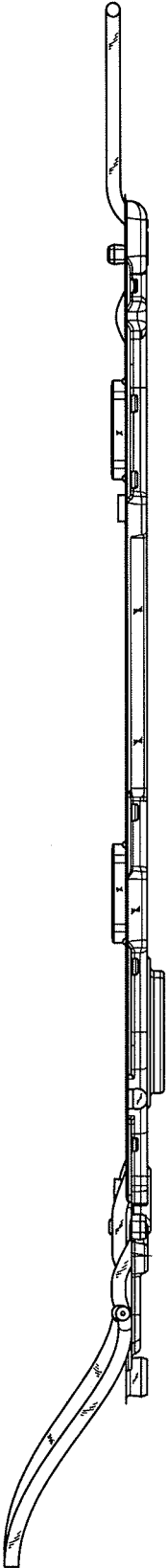


FIG. 1.5

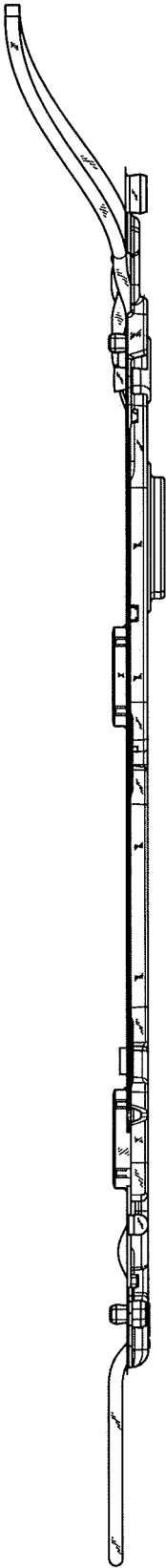


FIG. 1.6

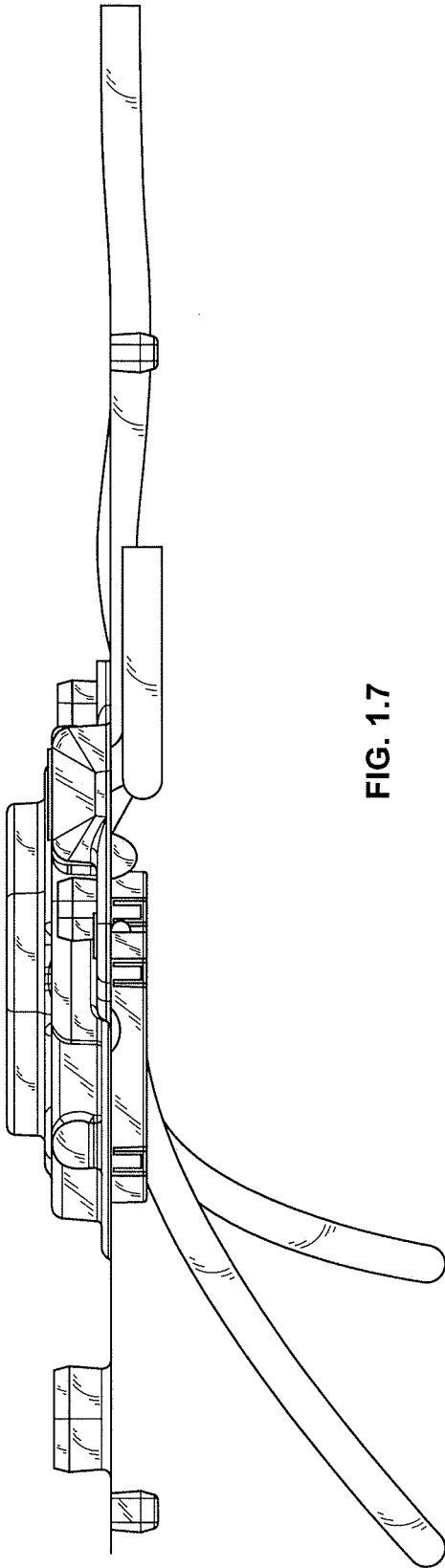


FIG. 1.7

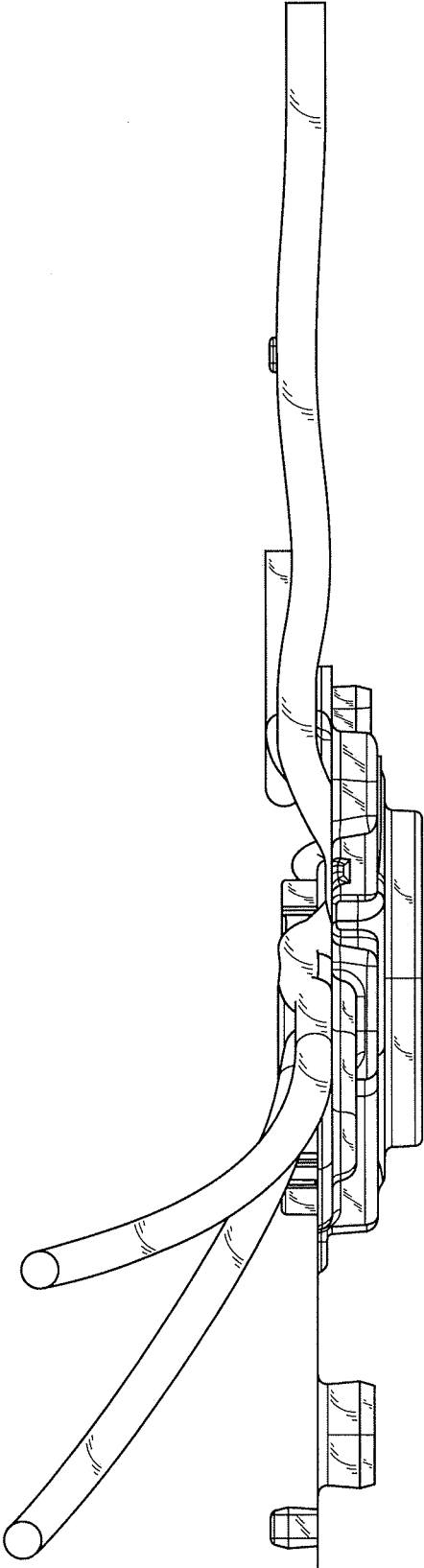


FIG. 1.8