



US00D358486S

United States Patent [19]

[11] Patent Number: **Des. 358,486**

Loew

[45] Date of Patent: **** May 23, 1995**

- [54] SET OF BRISTLES FOR A TOOTHBRUSH
- [75] Inventor: **Christopher Loew, San Francisco, Calif.**
- [73] Assignee: **Gillette Canada Inc., Kirkland, Canada**
- [**] Term: **14 Years**
- [21] Appl. No.: **1,055**
- [22] Filed: **Nov. 2, 1992**
- [52] U.S. Cl. **D4/104**
- [58] Field of Search D4/101, 104-114, D4/129, 130, 132-134, 136; 15/159.1, 160, 167.1, 167.2, 207.2, DIG. 5, DIG. 6; 401/268
- [56] **References Cited**

4,894,880 1/1990 Aznovoorian D4/104 X
 5,046,212 9/1991 O'Conke 15/105

FOREIGN PATENT DOCUMENTS

818794 5/1952 Germany 15/167.1

OTHER PUBLICATIONS

Sample of "Ortho" brush, manufactured and sold by Oral-B Laboratories, Redwood City, Calif. (1989).

Primary Examiner—James M. Gandy
Assistant Examiner—Lavone D. Tabor
Attorney, Agent, or Firm—Chester Cekala

[57] CLAIM

The ornamental design for a set of bristles for a toothbrush, as shown and deccribed.

DESCRIPTION

FIG. 1 is a top, front and right side perspective view of a set of bristles for a toothbrush showing my new design (unclaimed environmental structure being shown in broken lines);

FIG. 2 is a top plan view thereof (unclaimed environmental structure being shown in broken lines);

FIG. 3 is a front elevational view thereof (unclaimed environmental structure being shown in broken lines);

FIG. 4 is a right side elevational view thereof where the left side view is a mirror image (unclaimed environmental structure being shown in broken lines);

FIG. 5 is a rear elevational view thereof (unclaimed environmental structure being shown by broken lines);

FIG. 6 is a perspective view of a second embodiment as seen from the top front and right side (unclaimed environmental structure being shown by broken lines);

FIG. 7 is a top plan view thereof (unclaimed environmental structure being shown by broken lines);

FIG. 8 is a right side elevational view thereof (unclaimed environmental structure being shown by broken lines);

FIG. 9 is a top, rear and left side perspective view of the set of bristles for a toothbrush of FIG. 1, (unclaimed environmental structure being shown in broken lines); and,

FIG. 10 is a top, rear and left side perspective view of the set of bristles for a toothbrush of FIG. 6 (unclaimed environmental structure being shown in broken lines). The broken lines showing the toothbrush head and neck structure is for illustrative purposes only and forms no part of the claimed design.

U.S. PATENT DOCUMENTS

- D. 49,472 8/1916 Dierke D4/105
- D. 201,867 8/1965 Newman D4/104
- D. 239,221 3/1976 Wasserman D4/104
- D. 248,696 8/1978 Greenberg D4/104
- D. 259,976 7/1981 Seelig D4/104
- D. 272,688 2/1984 Stocchi D4/110
- D. 272,689 2/1984 Stocchi D4/110
- D. 272,690 2/1984 Stocchi D4/110
- D. 273,635 5/1984 Stocchi D4/104
- D. 289,703 5/1987 Yaffe D4/104
- D. 292,448 10/1987 Vianello D4/104
- D. 319,148 8/1991 Emily D4/104
- D. 334,288 3/1993 Witzig-Jaggi D4/104
- 335,345 2/1886 Estabrook 15/167.1
- 669,402 3/1901 Rose 15/167.1
- 1,018,927 2/1912 Sarrazin D4/104 X
- 1,337,173 4/1920 White 15/167.1 X
- 1,440,785 1/1923 Levis 15/167.1
- 1,456,535 5/1923 Cartwright D4/104 X
- 1,639,880 8/1927 Butler 15/167.1
- 1,642,465 9/1927 Sheetz 15/167.1
- 1,927,365 9/1933 Frolio 15/167.1
- 2,312,828 3/1943 Adamsson 401/268
- 3,188,673 6/1965 Newman 15/167.1
- 3,378,870 4/1968 Matsunaga 15/167.1
- 3,678,528 7/1972 Haije 15/167.1
- 3,722,020 3/1973 Hills 15/167.1
- 3,742,549 7/1973 Scopp et al. 15/167.1
- 4,020,521 5/1977 Velasquez 15/167.1
- 4,570,282 2/1986 Kaufman et al. 15/167.1
- 4,712,267 12/1987 Cheng 15/172
- 4,800,608 1/1989 Key 15/167.1
- 4,847,936 7/1989 Moglianese et al. 15/167.1
- 4,882,803 11/1989 Rogers et al. 15/167.1

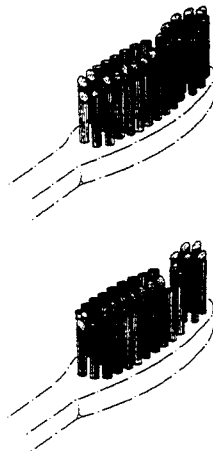
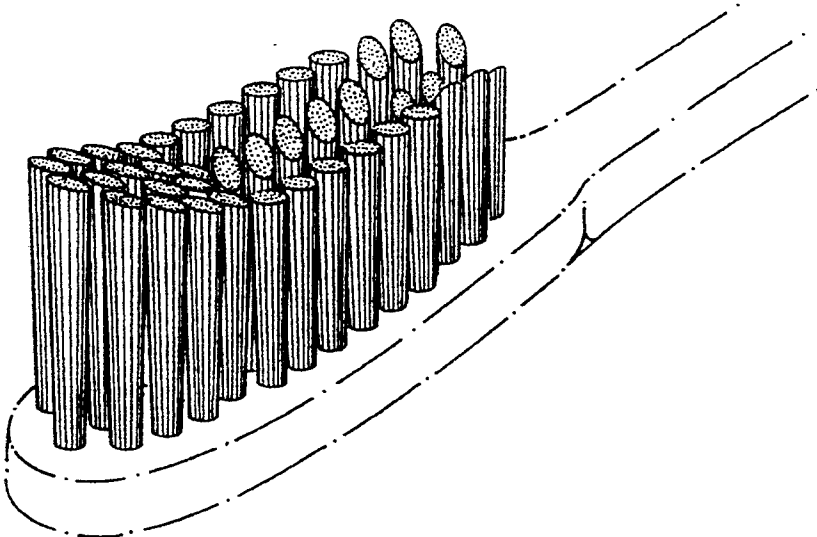


FIG-1



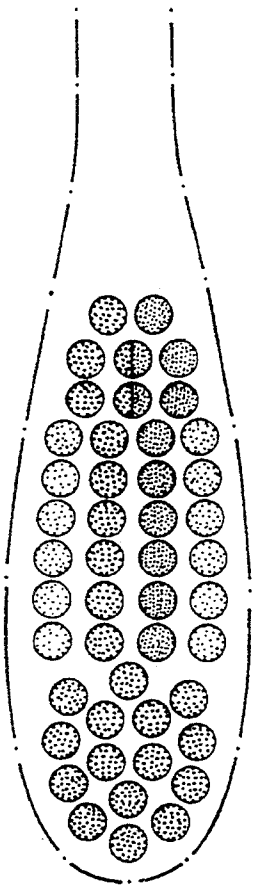


FIG-2

FIG-3

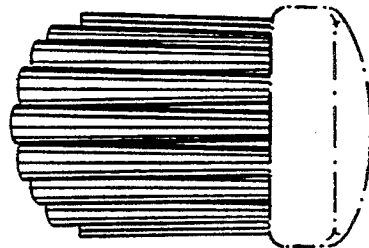


FIG-4

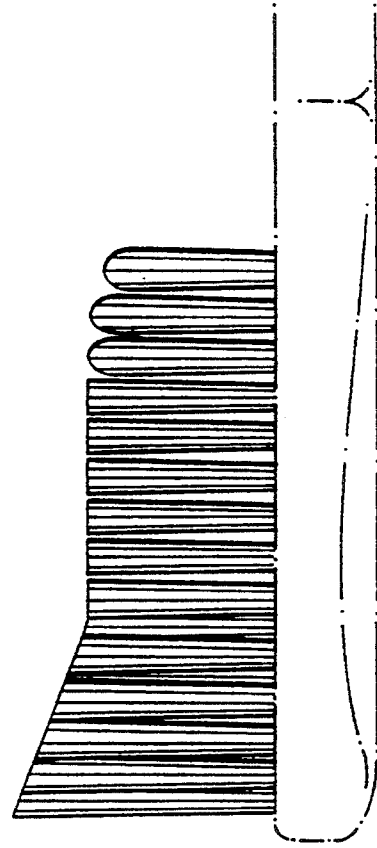


FIG-5

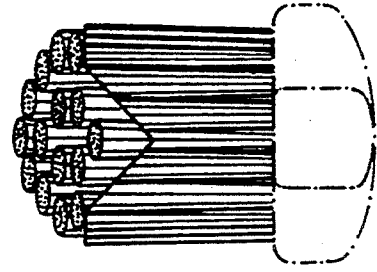


FIG-6

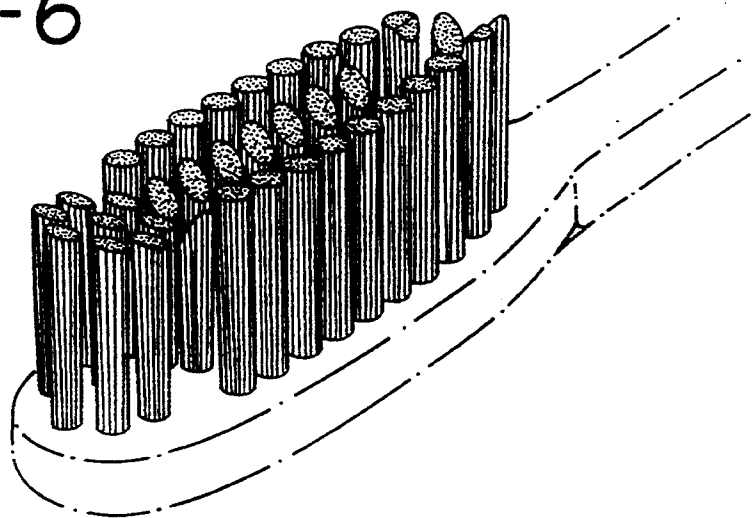


FIG-7

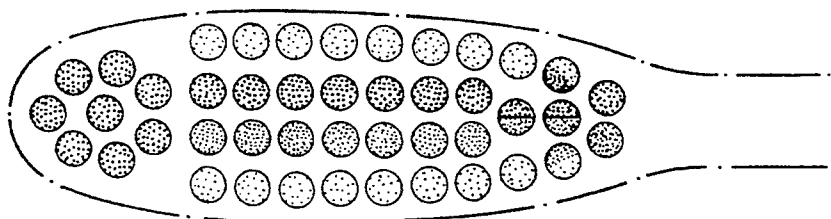


FIG-8

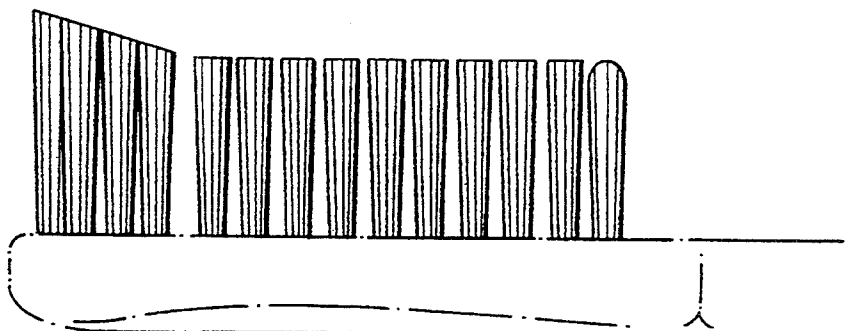


FIG-9

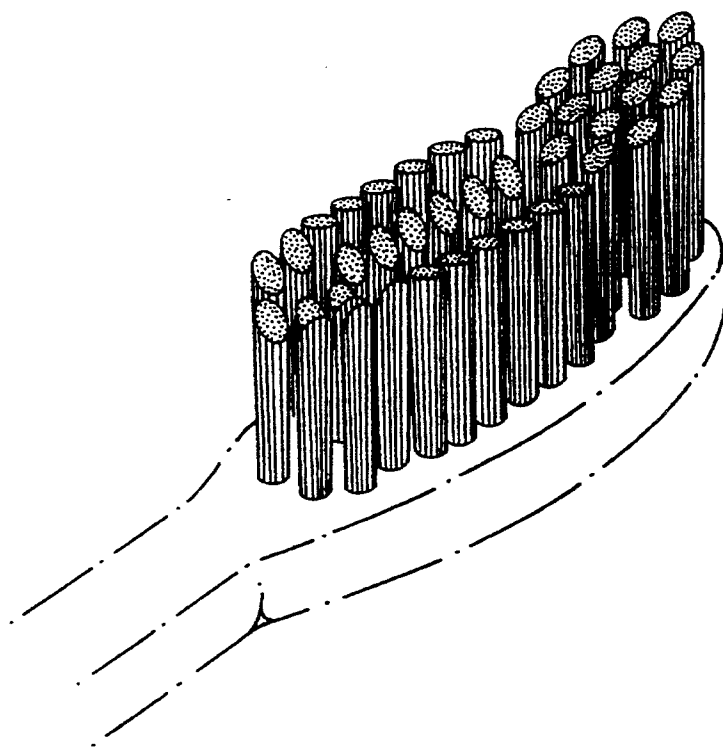


FIG-10

