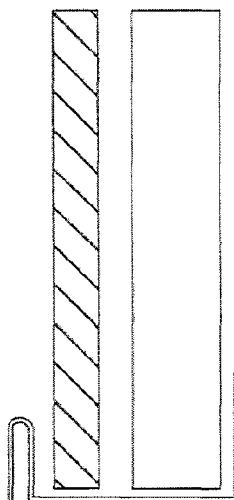




(86) **Date de dépôt PCT/PCT Filing Date:** 2014/06/13  
 (87) **Date publication PCT/PCT Publication Date:** 2014/12/18  
 (45) **Date de délivrance/Issue Date:** 2020/06/02  
 (85) **Entrée phase nationale/National Entry:** 2015/12/14  
 (86) **N° demande PCT/PCT Application No.:** US 2014/042381  
 (87) **N° publication PCT/PCT Publication No.:** 2014/201403  
 (30) **Priorité/Priority:** 2013/06/14 (US61/835,383)

(51) **Cl.Int./Int.Cl. F24C 15/20** (2006.01),  
**B01D 46/00** (2006.01), **F24F 13/28** (2006.01)  
 (72) **Inventeur/Inventor:**  
SALPIETRA, JORDAN, US  
 (73) **Propriétaire/Owner:**  
SALPIETRA, JORDAN, US  
 (74) **Agent:** KIRBY EADES GALE BAKER

(54) **Titre : FILTRES, SUPPORTS ET PROCEDES DE MONTAGE DE FILTRES**  
 (54) **Title: FILTERS, MOUNTS AND METHODS OF MOUNTING FILTERS**



(57) **Abrégé/Abstract:**

A bracket to mount a filter in an exhaust hood includes clip portion, a restraint portion, and a support portion. The clip portion includes a first wall and a second wall that are substantially parallel to each other with a space formed therebetween. The support portion is disposed between the clip portion and the restraint portion, and the support portion includes a hole formed therein. The filter includes an external support frame embedded with a filter pad, the external support frame being configured to provide support to the filter pad to maintain the filter pad in a generally flat configuration. The filter pad includes fibers selected from the group consisting of: wool fibers, wood-based viscose fibers, and cellulose-based synthetic fibers, the fibers configured to absorb grease particulates.

(12) INTERNATIONAL APPLICATION PUBLISHED UNDER THE PATENT COOPERATION TREATY (PCT)

(19) World Intellectual Property  
Organization  
International Bureau(10) International Publication Number  
**WO 2014/201403 A3**(43) International Publication Date  
18 December 2014 (18.12.2014)(51) International Patent Classification:  
F24C 15/20 (2006.01)

(21) International Application Number:

PCT/US2014/042381

(22) International Filing Date:

13 June 2014 (13.06.2014)

(25) Filing Language:

English

(26) Publication Language:

English

(30) Priority Data:

61/835,383

14 June 2013 (14.06.2013)

US

(72) Inventor; and

(71) Applicant : SALPIETRA, Jordan [US/US]; 670 Southern Trace Parkway, Shreveport, LA 71106 (US).

(74) Agent: GOLDBERG, Brian, J. Esq.; Baker Botts, LLP, 2001 Ross Avenue, Suite 600, Dallas, TX 75201 (US).

(81) Designated States (unless otherwise indicated, for every kind of national protection available): AE, AG, AL, AM, AO, AT, AU, AZ, BA, BB, BG, BH, BN, BR, BW, BY, BZ, CA, CH, CL, CN, CO, CR, CU, CZ, DE, DK, DM, DO, DZ, EC, EE, EG, ES, FI, GB, GD, GE, GH, GM, GT,

HN, HR, HU, ID, IL, IN, IR, IS, JP, KE, KG, KN, KP, KR, KZ, LA, LC, LK, LR, LS, LT, LU, LY, MA, MD, ME, MG, MK, MN, MW, MX, MY, MZ, NA, NG, NI, NO, NZ, OM, PA, PE, PG, PH, PL, PT, QA, RO, RS, RU, RW, SA, SC, SD, SE, SG, SK, SL, SM, ST, SV, SY, TH, TJ, TM, TN, TR, TT, TZ, UA, UG, US, UZ, VC, VN, ZA, ZM, ZW.

(84) Designated States (unless otherwise indicated, for every kind of regional protection available): ARIPO (BW, GH, GM, KE, LR, LS, MW, MZ, NA, RW, SD, SL, SZ, TZ, UG, ZM, ZW), Eurasian (AM, AZ, BY, KG, KZ, RU, TJ, TM), European (AL, AT, BE, BG, CH, CY, CZ, DE, DK, EE, ES, FI, FR, GB, GR, HR, HU, IE, IS, IT, LT, LU, LV, MC, MK, MT, NL, NO, PL, PT, RO, RS, SE, SI, SK, SM, TR), OAPI (BF, BJ, CF, CG, CI, CM, GA, GN, GQ, GW, KM, ML, MR, NE, SN, TD, TG).

Published:

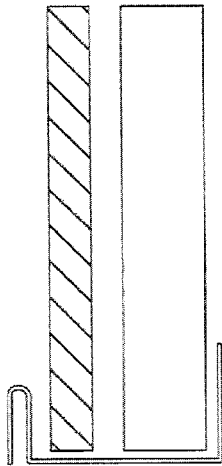
— with international search report (Art. 21(3))

— before the expiration of the time limit for amending the claims and to be republished in the event of receipt of amendments (Rule 48.2(h))

[Continued on next page]

(54) Title: FILTERS, MOUNTS AND METHODS OF MOUNTING FILTERS

(57) Abstract: A bracket to mount a filter in an exhaust hood includes clip portion, a restraint portion, and a support portion. The clip portion includes a first wall and a second wall that are substantially parallel to each other with a space formed therebetween. The support portion is disposed between the clip portion and the restraint portion, and the support portion includes a hole formed therein. The filter includes an external support frame embedded with a filter pad, the external support frame being configured to provide support to the filter pad to maintain the filter pad in a generally flat configuration. The filter pad includes fibers selected from the group consisting of: wool fibers, wood-based viscose fibers, and cellulose-based synthetic fibers, the fibers configured to absorb grease particulates.

**FIG. 9**
  
 WO 2014/201403 A3

**WO 2014/201403 A3** 

---

**(88) Date of publication of the international search report:**  
13 August 2015

## FILTERS, MOUNTS AND METHODS OF MOUNTING FILTERS

### BACKGROUND OF THE INVENTION

#### Field of the Invention

[0001] The invention relates generally to filters, mounts or brackets for mounting filters, and methods of mounting filters.

### SUMMARY OF THE INVENTION

[0002] Filters may be employed in canopies or hoods overlying relatively large grills, broilers, ranges, stoves and like equipment in kitchens of restaurants and other facilities where food is prepared. Such filters may be typically provided with a rectangular frame to which rows of baffles are secured in staggered relation to form a grease and/or flame retarding filter for a kitchen exhaust/ventilation system. Nevertheless, there remains a need for a disposable grease filter pad, which is removable and replaceable, and which may be sandwiched inside of a separate UL1046 listed grease filter. The disposable grease filter pad may be in place for extracting grease from grease-laden exhaust air and removed for permitting direct cleaning of all other filter surfaces.

[0003] Grease filters and/or grease removal devices may be installed in exhaust hoods above various types of cooking equipment including, for example, deep-fat fryers, grills, griddles, and ovens where excess heat and flame may occur. In applications using existing wool or fiber-based filters, problems may be encountered due to excessive heat or flame. Unless stainless steel heat shields are placed in front of the wool filters, there is the possibility that concentrations of heat (*e.g.*, from exhaust of the cooking equipment) may degrade the wool fibers and cause a hole to form in the filter. Similarly, flames may make

holes in the filter if they come in direct contact with the filter which can happen above griddles and grills with a grease flare-up. This is a major draw-back since a hole in the filter renders it ineffective and requires that the filter be replaced.

**[0004]** Existing wool filters often require a separate support frame and an additional frame cover made of metal, which is both costly, labor intensive, heavy for the operator to use, and susceptible to damage, often requiring costly replacement. This assembly, often along with an optional heat shield, causes the current wool-based system to be not only expensive to make but it can be difficult for the user to operate. In addition, there are existing wool filters that include a non-metallic support frame that is embedded inside of a filter mat, but this does not allow for reuse of the support frame, making the replacement filters very expensive for operations.

**[0004.1]** Certain exemplary embodiments can provide a filter assembly comprising: a reusable external support frame embedded with a filter pad, the external support frame being configured to provide support to the filter pad to maintain the filter pad in a generally flat configuration; a filter pad comprising fibers selected from the group consisting of: wool fibers, wood-based viscose fibers, and cellulose-based synthetic fibers, the fibers configured to absorb grease particulates; wherein the filter pad is tucked into backside edges of the reusable external support frame; wherein a portion of the filter pad extends beyond an edge of the support frame.

**[0004.2]** Certain exemplary embodiments can provide a grease filter for installation within an aperture of an exhaust hood overlying kitchen equipment where heat or flame may occur, the grease filter comprising: an external frame assembly, a first perforated insert disposed within the external frame assembly, wherein the external frame assembly and the first

perforated insert define a downstream portion of the grease filter and an upstream portion of the grease filter on opposing sides of the first perforated insert; a baffle filter disposed within the downstream portion of the grease filter, the baffle filter being secured within the external frame assembly; a second perforated insert configured to move from a first position to a second position; and; a filter pad disposed within the upstream portion of the grease filter adjacent the second perforated insert; wherein: the first position permits installation of the filter pad within the grease filter and the second position does not permit installation of the filter pad within the grease filter; and the upstream portion of the grease filter comprises the first perforated insert.

**[0004.3]** Certain exemplary embodiments can provide a grease filter for installation within an aperture of an exhaust hood overlying kitchen equipment where heat or flame may occur, the grease filter comprising: an external frame assembly defining a pathway for airflow therethrough and partially defining a upstream portion of the grease filter and a downstream portion of the grease filter; a baffle filter disposed within the downstream portion of the grease filter, the baffle filter being secured within the external frame assembly; and a first perforated insert configured to move from a first position to a second position, wherein the first position permits installation of a filter pad within the grease filter and the second position does not permit installation of the filter pad within the grease filter; and wherein: the upstream portion of the grease filter comprises the first perforated insert.

**[0004.4]** Certain exemplary embodiments can provide a grease filter for installation within an aperture of an exhaust hood overlying kitchen equipment where heat or flame may occur, the grease filter comprising: an external frame assembly; a first housing element disposed within the external frame assembly, wherein the external frame assembly and the first housing

element define a downstream portion of the grease filter and an upstream portion of the grease filter on opposing sides of the first housing element; a baffle filter disposed within the downstream portion of the grease filter, the baffle filter being secured within the external frame assembly; a second housing element disposed within the upstream portion of the grease filter; a filter pad comprising fibers configured to absorb grease particulates, the filter pad being disposed within the upstream portion of the grease filter and positioned between the first housing element and the second housing element, wherein the first housing element and the second housing element provide support to the filter pad to maintain the filter pad in a generally flat configuration.

**[0004.5]** Certain exemplary embodiments can provide a grease filter for installation within an aperture of an exhaust hood overlying kitchen equipment where heat or flame may occur, the grease filter comprising: an external frame assembly comprising a non-combustible material, the external frame assembly defining a pathway for airflow therethrough and partially defining an upstream portion of the grease filter and a downstream portion of the grease filter; a baffle filter disposed within the downstream portion of the grease filter, the baffle filter being secured within the external frame assembly; and a first housing element positioned within the upstream portion of the grease filter, the first housing element being configured to provide support to a filter pad to maintain the filter pad in a generally flat configuration.

**[0005]** According to another embodiment of the invention, a filter may have upper and lower baffle assemblies on one side, a removable perforated insert, a disposable grease filter pad, and a single baffle assembly on the other side, to define a tortuous path for exhaust air flowing there through. Further, a kitchen ventilation system may be provided that includes a food preparation apparatus such as a grill, a broiler, a range, or a stove, and a canopy located above the apparatus for exhausting air rising upwardly from the apparatus and laden with grease and/or oil vapors. A grease filter according to embodiments of the invention may be mounted within a mouth of the canopy and may be removable therefrom for cleaning.

**[0006]** According to another embodiment of the invention, a filter assembly may include a reusable external support frame embedded with a filter pad, the reusable support frame being configured to provide support to the filter pad to maintain the filter pad in a generally flat configuration and the filter pad comprising fibers configured to absorb grease particulates such as, for example, wool fibers, wood-based viscose fibers, and cellulose-based synthetic

fibers. The filter pad may be tucked into the reusable external support frame's backside edges.

**[0007]** In an embodiment of the invention, a filter assembly may include a filter pad comprising fibers including natural, synthetic, and/or hybrid fibers. The filter pad may be tucked into the respective edges of the non-combustible reusable support frame's backside edges. The reusable support frame may be configured to provide support to the filter pad to maintain the filter pad in a generally flat configuration. In accordance with a particular embodiment, the filter pad may be comprised of at least first and second fibrous mats being coupled together. This united filter pad may be tucked into the respective edges of the non-combustible reusable support frame's backside.

**[0008]** Thus, embodiments of the invention provide a filter assembly that has a reusable external support frame that does not consist of multiple pieces. In addition, the filter assembly is effective at removing or reducing grease particulates from grease laden air. Accordingly, baffle filters may remain cleaner for a longer period of time, thereby being an even more effective fire barrier since the fuel source (e.g., grease particulates) has been decreased from the airflow prior to reaching any baffle filters and/or ductwork. In addition, the filter assembly may distribute flame more evenly across a baffle filter, when the filter assembly is located upstream from a baffle filter. Accordingly, baffle filters may be protected from fire and damage, perform better, and remain cleaner for a longer period of time.

**[0009]** According to other embodiments of the invention, a clip-on bracket may create an internal vertical support for metal and fiber-based grease filters in commercial kitchen exhaust hoods, or the like. The bracket may be made of metal and may include perforated holes spaced throughout the trough of the bracket for draining of fats, oils, grease, or the like that may collect in the trough. The profile of the bracket may include a u-shaped edge, which may function as a type of hanger or clip. The u-shaped edge may straddle the bottom lip of

the exhaust hood's aperture opening, and may be oriented so that the trough of the bracket is protruding downstream to the airflow. This configuration allows all types of grease filters to rest inside the aperture opening, without requiring any welding or structural modifications. The clip-on bracket may be easily removed for cleaning and/or maintenance, and mounted in place using a simple clip-on installation procedure.

**[0010]** In an embodiment of the invention, a removable clip-on bracket may create a support channel for grease filters, or the like, on the inside of an aperture opening of a commercial kitchen exhaust hood, or the like.

**[0011]** In another embodiment of the invention, a process of mounting a filter comprises inserting a disposable grease filter inside the aperture opening of a commercial kitchen exhaust hood such that the installation process does not require welding or any other type of structural modification in the existing exhaust hood canopy. A process of mounting a filter comprises inserting a disposable grease filter in the same filter channel as a metal, baffle-type grease filter.

**[0012]** In still another embodiment of the invention, a process of mounting a filter comprises placing a disposable grease pre-filter in front of a metal baffle-type grease filter and inside the aperture opening of a commercial kitchen exhaust hood. In such a configuration, no additional external or internal brackets are required to hold the disposable grease pre-filter in place.

**[0013]** In yet another embodiment of the invention, a metal L-bracket may be mounted to the bottom of a baffle-type grease filter for use in commercial kitchen exhaust hoods. The L-bracket may be held in place via weld, screw, glue, or the like. This configuration creates a space in front of the baffle-type grease filter due to the front face of the baffle-type grease filter being held further back. Thus, a pre-filter may rest in front, or upstream, of the metal

baffle-type grease filter with both filters in the same support channel. The L-bracket may comprise perforated holes as drain holes for draining fats, oils, grease, or the like.

[0014] Other objects, features, and advantages of the present invention are apparent to persons of ordinary skill in the art in view of the following detailed description of the invention and the accompanying drawings.

#### BRIEF DESCRIPTION OF THE DRAWINGS

[0015] For a more complete understanding of the embodiments of the present invention, needs satisfied thereby, and the objects, features, and advantages thereof, reference now is made to the following description taken in connection with the accompanying drawings.

[0016] **Fig. 1** is an elevation view of the right side of the bracket, including exemplary dimensions, according to an embodiment of the invention.

[0017] **Fig. 2** is an elevation view of the left side of the bracket, including exemplary dimensions, according to an embodiment of the invention.

[0018] **Fig. 3** is a top view of the bracket, including exemplary dimensions, according to an embodiment of the invention.

[0019] **Fig. 4** is an isometric view from the right side of the bracket, according to an embodiment of the invention.

[0020] **Fig. 5** is a perspective view depicting where the bracket is clipped into the commercial kitchen exhaust hood, according to an embodiment of the invention.

[0021] **Fig. 6** is a perspective view depicting the bracket in its final resting position after being clipped or hung onto the bottom lip of the aperture opening, according to an embodiment of the invention.

[0022] **Fig. 7** is an elevation view of the right side of the bracket, depicting how the clip-on bracket may support a metal baffle filter that is, for example, a nominal two inches in thickness, according to an embodiment of the invention.

[0023] **Fig. 8** is an elevation view of the right side of the bracket, depicting how the clip-on bracket may support a metal baffle filter that is, for example, less than a nominal two inches in thickness, according to an embodiment of the invention.

[0024] **Fig. 9** is an elevation view of the right side of the bracket, depicting how the clip-on bracket may support a metal baffle filter that is, for example, between .75 inches and 1.5 inches along with a disposable grease filter on the upstream airflow side of the metal baffle filter, according to an embodiment of the invention.

[0025] **Fig. 10** is a front side view of an L-bracket, including exemplary dimensions, according to an embodiment of the invention.

[0026] **Fig. 11** is a right side view of the L-bracket, including exemplary dimensions, according to an embodiment of the invention.

[0027] **Fig. 12** is a right side view of the assembly between the L-bracket and metal baffle-type grease filter. #1 corresponds to the L-bracket, #2 corresponds to the metal baffle-type grease filter, and #3 corresponds to the area of connection between #1 and #2, according to an embodiment of the invention.

[0028] **Fig. 13** is a right isometric view of the completed L-bracket and filter assembly, according to an embodiment of the invention.

[0029] **Fig. 14** is a perspective view depicting the L-bracket and baffle filter combination in its final resting position inside the aperture opening of a commercial kitchen exhaust hood, according to an embodiment of the invention.

[0030] **Fig. 15** is a right side view of the disposable grease pre-filter (#1) in its final resting position in front of the metal baffle-type grease filter (#2) and inside the aperture opening (#3) of a commercial kitchen exhaust hood, according to an embodiment of the invention.

[0031] **Fig. 16** is a perspective view of a grill and exhaust system utilizing a grease filter, according to an embodiment of the invention.

[0032] **Fig. 17** is a cross-sectional view of the grease filter along line 2-2 of **Fig. 16**.

[0033] **Fig. 18** is an alternative cross-sectional view of the grease filter along line 2-2 of **Fig. 16**.

[0034] **Fig. 19** is a perspective view of a grill and exhaust system utilizing the grease filter, according to an embodiment of the invention.

[0035] **Fig. 20** is a front elevation view of the front side of the filter assembly, excluding exemplary dimensions, according to an embodiment of the invention.

[0036] **Fig. 21** is a left elevation view of the left side of the filter assembly, excluding exemplary dimensions, according to an embodiment of the invention,

[0037] **Fig. 22** is a top elevation view of the top side of the filter assembly, excluding exemplary dimensions, according to an embodiment of the invention.

[0038] **Fig. 23** is a right elevation view of the right side of the filter assembly, excluding exemplary dimensions, according to an embodiment of the invention.

[0039] **Fig. 24** is a bottom elevation view of the bottom side of the filter assembly, excluding exemplary dimensions, according to an embodiment of the invention.

[0040] **Fig. 25** is a back elevation view of the back side of the filter assembly, excluding exemplary dimensions, according to an embodiment of the invention.

[0041] **Fig. 26** is a cross-sectional view of the grease filter along line 108-108 of **Fig. 20**.

[0042] **Fig. 27** is a cross-sectional view of the grease filter along line 107-107 of **Fig. 20**.

[0043] **Fig. 28** is a side view of a support frame, according to an embodiment of the invention.

[0044] **Fig. 29** is a perspective view of the support frame, according to an embodiment of the invention.

[0045] **Fig. 30** is a side view of a support frame in an exhaust hood, according to an embodiment of the invention.

[0046] **Fig. 31** is a side view of a support frame with a metal wire frame and retaining member, according to an embodiment of the invention.

[0047] **Fig. 32** is a perspective view of a support frame with a wire frame and retaining member, according to an embodiment of the invention.

[0048] **Fig. 33** is a front view of a support for a filter, according to an embodiment of the invention.

[0049] **Fig. 34** is a front view of a support frame with a filter, according to an embodiment of the invention.

[0050] **Fig. 35** is a side view of a support frame, according to an embodiment of the invention.

[0051] **Fig. 36** is a side view of a support frame with a baffle filter, according to an embodiment of the invention.

[0052] **Fig. 37** is a perspective view of a support frame with a filter and wire frame, according to an embodiment of the invention.

[0053] **Fig. 38** is a perspective view of a support frame with a filter and wire frame secured with a retaining member, according to an embodiment of the invention.

[0054] **Fig. 39** is a side view of a support frame with a disposable filter and baffle filter in an exhaust hood including an expanded view of a support frame clip, according to an embodiment of the invention.

[0055] **Fig. 40** is a side view of a support frame with a disposable filter and baffle filter, according to an embodiment of the invention.

[0056] **Fig. 41** is a side view of a support frame with a disposable filter secured with a retaining member and baffle filter, according to an embodiment of the invention.

## DETAILED DESCRIPTION OF EMBODIMENTS OF THE INVENTION

[0057] Embodiments of the present invention, and their features and advantages, may be understood by referring to **Figs. 1-41**, like numerals being used for corresponding parts in the various drawings.

[0058] In an embodiment of the present invention, a clip-on bracket may fit inside of an exhaust hood's aperture opening, allowing the clip-on bracket to support any type of grease filter in place. The clip-on bracket may comprise three bends, one of which is bent and configured to clip-on to a vertical or angled upright portion. The clip-on bracket may be designed to support grease filters in commercial kitchen exhaust hoods, and may comprise a continuous and rigid sheet of metal that includes three bends in the metal. **Fig. 1** depicts an elevation view of the right side of the bracket, including exemplary dimensions, according to an embodiment of the invention. The left portion of the bracket in **Fig. 1** comprises two bends in the metal, giving production to the clip-on section of the bracket. The far right edge of the bracket in **Fig. 1** may serve as a horizontal restraint for any grease filter that rests in the trough of the bracket.

[0059] An embodiment of the present invention may be configured to support grease filters on the inside of the aperture opening of commercial kitchen exhaust hoods. Once the bracket according to an embodiment of the present invention is in position, it may support any size baffle filter, with the option of also inserting a disposable grease filter upstream of the baffle filter within the same clip-on bracket. The bracket may comprise three bends, one of which is bent and configured to clip-on to a vertical or angled upright portion.

[0060] The clip-on bracket may create an internal vertical support for metal and fiber-based grease filters in commercial kitchen exhaust hoods, or the like. The bracket may comprise metal and may include perforated holes, which may be spaced throughout the

trough of the bracket for draining of fats, oils, grease, or the like that may collect in the trough. The profile of the bracket may include a u-shaped edge, which may function as a type of hanger or clip. The u-shaped edge may straddle the bottom lip of the exhaust hood's aperture opening, and may be oriented so that the trough of the bracket is protruding downstream to the airflow. This configuration may allow for all types of grease filters to rest inside the aperture opening, without requiring any welding or structural modifications. The clip-on bracket may be easily removed for cleaning and/or maintenance, and may be mounted in place using a simple clip-on installation procedure. Thus, the removable clip-on bracket may create a support channel for grease filters, or the like, on the inside of an aperture opening of a commercial kitchen exhaust hood, or the like.

**[0061]** A process of mounting a filter may comprise inserting a disposable grease filter inside the aperture opening of a commercial kitchen exhaust hood, such that the installation process does not require welding, or the like, or any other type of structural modification in the existing exhaust hood canopy. A process of mounting a filter may comprise inserting a disposable grease filter in the same filter channel as a metal, baffle-type grease filter.

**[0062]** A process of mounting a filter may comprise placing a disposable grease pre-filter in front of a metal, baffle-type grease filter inside the aperture opening of a commercial kitchen exhaust hood. In such a configuration, no additional external or internal brackets may be required to hold the disposable grease pre-filter in place.

**[0063]** A process of mounting a filter may comprise mounting a metal L-bracket to the bottom of a baffle-type grease filter for use in commercial kitchen exhaust hoods. The L-bracket may be held in place via weld, screw, glue, or the like. This configuration creates a space in front of the baffle-type grease filter due to the front face of the baffle-type grease filter being held further back. Thus, a pre-filter may rest in front, or upstream, of the metal

baffle-type grease filter with both filters in the same support channel. The L-bracket may comprise perforated holes as drain holes for draining fats, oils, grease, or the like.

**[0064]** A process of mounting a filter may comprise placing a disposable grease pre-filter in front of a metal baffle-type grease filter inside the aperture opening of a commercial kitchen exhaust hood. No additional external or internal brackets may be required to hold the disposable grease pre-filter in place.

**[0065]** **Fig. 2** depicts an elevation view of the left side of the bracket, including exemplary dimensions, according to an embodiment of the invention. The right portion of the bracket in **Fig. 2** comprises two bends in the metal, forming the clip-on section of the bracket. The far left edge of the bracket in **Fig. 2** may serve as a horizontal restraint for any grease filter that rests in the support portion of the bracket that is disposed between the clip and the restraint.

**[0066]** **Fig. 3** depicts a top view of the bracket, including exemplary dimensions, according to an embodiment of the invention. As depicted in **Fig. 3**, a hole may be formed in the bracket. Further, a plurality of holes may be formed in the bracket and may be spaced apart by a predetermined distance along the longitudinal direction of the bracket. The plurality of holes may be equally spaced apart or may have varied spacing. **Fig. 4** depicts an isometric view from the right side of the bracket, according to an embodiment of the invention.

**[0067]** **Fig. 5** is a perspective view depicting where the bracket is clipped into a commercial kitchen exhaust hood, according to an embodiment of the invention. The bracket may attach to a ledge portion of the exhaust hood. Alternatively, the bracket may attach to a protruding portion in the exhaust hood.

**[0068]** **Fig. 6** is a perspective view depicting the bracket in its final resting position after being clipped or hung onto the bottom lip of the aperture opening, according to an

embodiment of the invention. Filters may be inserted into the bracket, such that a channel portion of the bracket supports the filters.

[0069] **Fig. 7** is an elevation view of the right side of the bracket, depicting how the clip-on bracket may support a metal baffle filter that is, for example, a nominal two inches in thickness, according to an embodiment of the invention.

[0070] **Fig. 8** is an elevation view of the right side of the bracket, depicting how the clip-on bracket may support a metal baffle filter that is, for example, less than a nominal two inches in thickness, according to an embodiment of the invention.

[0071] **Fig. 9** is an elevation view of the right side of the bracket, depicting how the clip-on bracket may support a metal baffle filter that is, for example, between .75 inches and 1.5 inches along with a disposable grease filter on the upstream airflow side of the metal baffle filter, according to an embodiment of the invention. The disposable grease filter, or pre-filter, may be inserted adjacent to the baffle-type filter, such that the bracket supports the pre-filter and the baffle-type filter.

[0072] **Fig. 10** depicts a front side view of an L-bracket, including exemplary dimensions, according to an embodiment of the invention.

[0073] **Fig. 11** depicts a right side view of the L-bracket, including exemplary dimensions, according to an embodiment of the invention. The right edge of the bracket in **Fig. 11** may comprise a restraint portion. The lower edge of the bracket in **Fig. 11** may comprise a support portion.

[0074] **Fig. 12** depicts a right side view of the assembly between the L-bracket and metal baffle-type grease filter. #1 corresponds to the L-bracket, #2 corresponds to the metal baffle-type grease filter, and #3 corresponds to the area of connection between #1 and #2, according to an embodiment of the invention.

[0075] **Fig. 13** depicts a right isometric view of the completed L-bracket and filter assembly, according to an embodiment of the invention. #1 corresponds to the L-bracket, #2 corresponds to the metal baffle-type grease filter supported by the L-bracket. The direction of airflow is indicated by the arrow labeled “airflow.”

[0076] **Fig. 14** is a perspective view depicting the L-bracket and baffle filter combination in its final resting position inside the aperture opening of a commercial kitchen exhaust hood and the process of mounting, according to an embodiment of the invention. Step 1 depicts the original baffle channel of the exhaust hood with a baffle filter that extends beyond the ledge of the exhaust hood, creating an unsupported portion of the filter. Step 2 depicts the exhaust hood comprising the ledge, without a filter installed therein. Step 3 depicts the L-bracket, according to an embodiment of the invention, with a filter mounted thereon, and the L-bracket/filter combination being inserted into the exhaust hood.

[0077] **Fig. 15** depicts a right side view of the disposable grease pre-filter (#1) in it's final resting position in front of the metal baffle-type grease filter (#2) and inside the aperture opening (#3) of a commercial kitchen exhaust hood, according to an embodiment of the invention.

[0078] In addition, a system for exhausting grease and/or oil laden hot air from a kitchen or like area may be provided. An example of such a system is depicted in **Fig. 16** in which a canopy **10** extends above food preparation apparatus **12** for receiving grease laden air rising therefrom. The apparatus **12** may include, for example, a grill, a stove, a broiler, a range, or the like, and the canopy **10** may have a mouth **14** providing an exhaust path for air to exit the area. Fans (not shown) or the like may be located upstream of the mouth **14** in the ventilation system to pull air through the mouth **14**.

[0079] One or more grease filters **16a** may be disposed in the mouth **14** of the canopy **10**. Each grease filter **16a** may provide a tortuous path “P” for air laden with grease, oil and like

contaminants so that the contaminants adhere to the surfaces of the grease filter **16a** and are thereby removed from the air. The grease filters **16a** may be disposed on a slant within the mouth **14** of the canopy **10** so that when grease or like substance accumulates within any of the plurality of gutter-shaped elongate baffles **18** of the grease filter **16a**, the grease may slide down the baffles **18** and may be directed to a holding reservoir (not shown). Any remaining airborne grease may pass through the disposable filter pad **15** for future removal.

**[0080]** Periodically, the grease filters **16a** may require cleaning. Thus, according to embodiments of the invention, the grease filters **16a** may be removable from the canopy **10** and may be able to be cleaned in an efficient manner before being re-installed in the canopy **10**.

**[0081]** As depicted in **Fig. 17**, the grease filter **16a** may include a front baffle assembly **20**, a middle baffle assembly **21**, an upper baffle assembly **22**, a disposable filter pad **30**, a removable perforated insert **32**, and a middle divider tab **34a**. The assembly may include an enclosed frame **24**, which may support an array of baffles **18** in a central opening thereof. In **Fig. 17**, the grease filter **16a** may define tortuous paths "P" that may enter the filter **16a** via spacing provided between the array of baffles **18a** of the front baffle assembly **20**, then through the disposable filter pad **30**, then through removable perforated insert **32**, then through the spacing provided between the array of baffles **18b** that are deflected downwardly into the baffles **18b** by baffles **18c** of the upper baffle assembly **22**, and that are then directed upwardly between the baffles **18c** and out of the filter **16a**. To create these paths, the baffles in each assembly may be laterally spaced-apart providing openings therebetween, and the baffles in the opposed assemblies may be staggered relative to one another to eliminate any paths for grease laden air to pass directly through the grease filter **16a** without impinging upon at least one baffle.

[0082] The majority of the grease may be filtered from the airflow by the disposable filter pad **15**. Any remaining grease carried in passing air may adhere to surfaces **40** of baffles **18c** and drip onto surfaces **42** of baffles **18b**, or adhere directly to surfaces **42**. Thereafter, baffles **18b** may function as a channel, or gutter, and direct the accumulation of grease under the force of gravity to an end wall **32** of the grease filter **16a**. The end wall **32** may have a series of drainage apertures **34a** through which the grease may travel on its way to a holding reservoir (not shown).

[0083] The grease filter **16a** may be made of, for example, stainless steel, galvanized steel, aluminum, or a like material. The grease filter **16a** may be rectangular with dimensions of, for example, about one to three feet by about one to three feet by about several inches. Of course, the grease filter may be made to any dimensions, as desired. A pair of handles **62** may be pivotally connected to the peripheral frame **24** of the lower baffle assembly **20** enabling ready handling of the grease filters **16a** during installation and removal relative to the canopy **10**. Each baffle may have an elongated base wall **54** with opposite sidewalls **56** and **58** extending transversely therefrom to define a channel, or gutter, which may extend from end wall **46** to end wall **32** of the grease filter **16a**.

[0084] According to another embodiment of the invention a method of efficiently and effectively cleaning a grease filter **16a** of a kitchen ventilating system is provided. The grease filter **16a** may be removed from the mouth **14** of the canopy **10** which is located above food preparation apparatus **12**. The grease filter **16a** may have upper and lower baffle assemblies **20** and **22** which, in a closed position, define tortuous paths "P" for exhausting air therethrough. The grease filter **16a** also may have a disposable filter pad **15** in the middle of the grease filter **16a**, with the perforated insert **32** resting on the back side of the disposable filter pad **15**.

[0085] After the removable assembly, **15** and **32**, has been taken out, the grease filter **16a** may be manually cleaned, for example, with soap and a brush or may be cleaned in an automatic dishwasher or pot sink. After the grease filter **16a** is cleaned, the removable assembly, **15** and **32**, may be reinserted in the grease filter **16a** so that the grease filter **16a** may be reinserted into the mouth **14** of the canopy **10**. Alternatively, as depicted in **Fig. 18**, the grease filter **16b** may be modified by replacing the front baffle assembly **20** (from **Fig. 17**) with another removable perforated insert **32b**.

[0086] An embodiment of the invention relates to a system for exhausting grease and/or oil laden hot air from a kitchen or like area. An example of such a system is depicted in **Fig. 19** in which a canopy **10** extends above food preparation apparatus **12** for receiving grease laden air rising therefrom. The apparatus **12** may include, for example, a grill, a stove, a broiler, a range or the like, and the canopy **10** may have a mouth **14** providing an exhaust path for air to exit the area. Fans (not shown) or the like may be located upstream of the mouth **14** in the ventilation system to pull air through the mouth **14**.

[0087] To assemble the grease filter **16**, as depicted in **Figs. 20-27**, the reusable external support frame **101** may be flipped over to reveal the folded back edges **103** of the reusable external support frame **101**. The edges of the filter pad **102** may be pushed underneath the exposed reusable external support frame's **101** folded back edges **103**. With the assembly of the grease filter **16** completed, the reusable external support frame **101** may provide support to the filter pad **102** to maintain the filter pad **102** in a generally flat configuration, while keeping the filter pad **102** from being seen from the kitchen floor.

[0088] One or more grease filters **16** may be disposed outside or inside the mouth **14** of the canopy **10**. Each grease filter **16** may provide a tortuous path "P" for air laden with grease, oil and like contaminants so that the contaminants adhere to the surfaces of the grease filter **16** and are thereby removed from the air. Any remaining grease may be exposed to: (i) a

UL 1046 listed grease filter **22** (as depicted in **Fig. 20**) that may be positioned behind the grease filter **16**; and/or (ii) ductwork associated with vent hood (not shown) that is configured to remove the air from the cooking area (with or without an associated exhaust fan(s)).

**[0089]** Periodically, the reusable external support frame **101** may require cleaning, while the filter pad **102** may sometimes need to be replaced. Thus, according to embodiments of the invention, the grease filters **16** may be removable from the canopy **10** and may be able to be cleaned/replaced in an efficient manner before being re-installed in the canopy **10**.

**[0090]** The reusable external support frame **101** can be made of, for example, stainless steel, galvanized steel, aluminum, or a like material. The reusable external support frame **101** may be square or rectangular with dimensions of, for example, about one to three feet by about one to three feet by about several inches. Of course, the grease filter may be made to any dimensions, as desired. A pair of handles **62** may be pivotally connected to the peripheral frame **24** of the lower baffle assembly **20** enabling ready handling of the grease filters **16** during installation and removal relative to the canopy **10**.

**[0091]** **Fig. 28** depicts a side view of a support frame **300**, according to an embodiment of the invention. Support frame **300** may include a top bracket portion **303**, which may be configured to straddle a ledge of an exhaust hood and secure support frame **300** to restrict or prevent horizontal movement. Support frame **300** may include a bottom edge **301** which may have a folded or bent end portion to provide a pivot point for a filter and wire frame, described in more detail below. Alternatively, bottom edge **301** may include a rigid hinged connection for coupling with the wire frame and filter. Support frame **300** may include a back portion **310** with open sides and perforated holes **306** formed therein. At or near where back portion **310** meets bottom edge **301**, drain holes **302** may be formed in support frame **300** to allow captured grease to be drained and collected.

[0092] Referring to **Fig. 29**, which depicts a perspective view of support frame 300, perforated holes 306 formed in back portion 310 allow for airflow through support frame 300. Non-perforated portions 304 may be disposed along back portion 310, for example in a strip-like manner, at which air is restricted from flowing through support frame 300. Because airflow is restricted at non-perforated portions 304, an installed filter will be prevented from accumulating grease such that non-perforated portions 304 may serve as a visual indicator for the useable life of the installed filter. For example, the portions of the installed filter corresponding to non-perforated portions 304 may serve as a reference point to compare the rest of the filter to and determine the level of use of the filter. One or more retaining members 305, such as clips, clamps, or the like, may be disposed on or near the front face of top bracket portion 303. Retaining member 305 may be used to secure a frameless filter pad and wire cover to back portion 310, as described in more detail below.

[0093] **Fig. 30** depicts a side view of a support frame in an exhaust hood 320. Air flows into the exhaust hood, passing through support frame 300 and installed filters. As depicted in **Fig. 30**, an alternative bottom clip portion 307 may be provided to connect with a bottom edge of exhaust hood 320 while providing support for an installed filter. Bottom clip portion 307 may be substantially L-shaped extending from the bottom of back portion 310 of support frame 300.

[0094] **Fig. 31** depicts a side view of a support frame 300 with a wire frame 401 and retaining member 305. A frameless filter pad 400 may be secured between support frame 300 and wire frame 401. Wire frame 401 may be comprised of metal and/or any alternative suitable material. Retaining member 305 may secure wire frame 401 with support frame 300 such that the bottom of wire frame 401 is disposed within bottom edge 301 of support frame 300.

[0095] **Fig. 32** depicts a perspective view of a support frame 300 with wire frame 401 and retaining member 305. As depicted in **Fig. 33**, wire frame 401 may include a perimeter support 404 and a horizontal support 403. Vertical portions 402 may be provided and may have a thickness that blocks or prevents grease from accumulating on corresponding portions of a filter that are disposed behind vertical portions 402. Thus, in an alternative arrangement, vertical portions 402 may provide a visual indicator for the useable life of the installed filter. For example, the portions of the installed filter corresponding to vertical portions 402 may serve as a reference point to compare the rest of the filter to and determine the level of use of the filter.

[0096] **Fig. 34** depicts a front view of support frame 300 with a frameless fiber filter pad 400 installed therein, according to an embodiment of the invention. As depicted in **Fig. 34**, a portion of filter pad 400 may extend past open sides of back portion 310, such that when installed in an exhaust hood, a metal-to-metal seal may be formed between filter pads. Further, filter pad 400 is secured in support frame 300 with wire frame 401 retained with retaining member 305.

[0097] **Fig. 35** depicts a side view of a support frame 300 with additional channels provided, according to an embodiment of the invention. In an alternative arrangement, support frame 300 may include a top channel 405 provided on the back of support frame 300 and a bottom channel 406 provided on the back of support frame 300, corresponding to top channel 405. Each of top channel 405 and bottom channel 406 may be substantially U-shaped and configured to support a baffle filter, for example, a UL 1046 metal baffle filter 407, or the like, as depicted in **Fig. 36**

[0098] **Figs. 37-41** depict a filter assembly having a support frame 300, a frameless filter pad 400, a baffle filter 407, and a wire frame 502 as a front cover that may pivot or be hinged. **Fig. 37** depicts a perspective view of a support frame 300 with a filter pad 400 and

wire frame 502, according to an embodiment of the invention. Retaining members 305 may selectively secure and allow movement of wire frame 502, which may pivot outward and downward or be hinged to move in such a manner. **Fig. 38** depicts a perspective view of support frame 300 with a filter pad 400 and wire frame 502 secured with retaining members 305 and support frame 300 supporting a baffle filter 407.

**[0099]** **Fig. 39** depicts a side view of a support frame 300 with a filter pad 400 and baffle filter 501 in an exhaust hood 520, including an expanded view of a support frame clip 505, according to an embodiment of the invention. Support frame clip 505 may be disposed at or near a bottom portion of support frame 300 and may be substantially L-shaped extending from support frame 300. Support frame clip 505 may be configured to be coupled with or secured to a bottom lip 506 of exhaust hood 520. A pivot point or hinge 504 may be provided at or near the bottom portion of support frame 300 to allow swinging movement of wire frame 502.

**[00100]** **Figs. 40** and **41** depict a side view of a support frame 300 with a frameless filter pad 400 and baffle filter 501 with wire frame 502 in an open position and a closed position, respectively. Support frame 300 may include a top bracket portion 507 that may serve to couple support frame 300 to an upper lip of exhaust hood 520 while also retaining a top portion of filter pad 400 therein.

**[00101]** While the invention has been described in connection with several embodiments, it will be understood by those of ordinary skill in the art that other variations and modifications of the preferred embodiments described above may be made without departing from the scope of the invention. Other embodiments will be apparent to those of ordinary skill in the art from a consideration of the specification or practice of the invention disclosed herein. The specification and the described examples are considered as exemplary only, with the true scope and spirit of the invention indicated by the following claims.

## CLAIMS

1. A grease filter for installation within an aperture of an exhaust hood overlying kitchen equipment where heat or flame may occur, the grease filter comprising:

an external frame assembly,

a first perforated insert disposed within the external frame assembly, wherein the external frame assembly and the first perforated insert define a downstream portion of the grease filter and an upstream portion of the grease filter on opposing sides of the first perforated insert;

a baffle filter disposed within the downstream portion of the grease filter, the baffle filter being secured within the external frame assembly;

a second perforated insert configured to move from a first position to a second position; and;

a filter pad disposed within the upstream portion of the grease filter adjacent the second perforated insert;

wherein:

the first position permits installation of the filter pad within the grease filter and the second position does not permit installation of the filter pad within the grease filter;

and

the upstream portion of the grease filter comprises the first perforated insert.

2. The grease filter of claim 1, wherein the baffle filter comprises at least first and second rows of baffles, the first and second rows of baffles in staggered relation to each other.

3. The grease filter of claim 2, wherein the baffle filter is approximately 1.905 to 3.81 cm thick.

4. The grease filter of claim 1, wherein the filter pad comprises fibers comprising one or more of:

wool fibers;

wood-based viscose fibers; and

cellulose-based synthetic fibers.

5. The grease filter of claim 1, wherein the filter pad comprises at least one surface configured to be removably coupled to the second perforated insert.

6. The grease filter of claim 1, wherein the second perforated insert is coupled to the external frame assembly via a hinge mechanism.

7. The grease filter of claim 1, wherein the first perforated insert is secured to one or more divider tabs of the external frame assembly.

8. The grease filter of claim 1, wherein one or more handles are pivotally connected to the external frame assembly.

9. The grease filter of claim 2, wherein each of the first and second rows of baffles include a plurality of baffles spaced apart from each other to provide openings therebetween for the flow of air therethrough.

10. A grease filter for installation within an aperture of an exhaust hood overlying kitchen equipment where heat or flame may occur, the grease filter comprising:

an external frame assembly defining a pathway for airflow therethrough and partially defining a upstream portion of the grease filter and a downstream portion of the grease filter;

a baffle filter disposed within the downstream portion of the grease filter, the baffle filter being secured within the external frame assembly; and

a first perforated insert configured to move from a first position to a second position, wherein the first position permits installation of a filter pad within the grease filter and the second position does not permit installation of the filter pad within the grease filter; and

wherein:

the upstream portion of the grease filter comprises the first perforated insert.

11. The grease filter of claim 10, wherein the filter pad, when installed, is disposed within the upstream portion of the grease filter adjacent to the first perforated insert.

12. The grease filter of claim 11, the first perforated insert being configured to provide support to the filter pad to maintain the filter pad in a generally flat configuration.

13. The grease filter of claim 10, wherein the baffle filter comprises at least first and second rows of baffles, the first and second rows of baffles in staggered relation to each other.

14. The grease filter of claim 13, wherein the baffle filter is approximately 1.905 to 3.81 cm thick.

15. The grease filter of claim 11, wherein the filter pad comprises fibers comprising one or more of:

wool fibers;

wood-based viscose fibers; and

cellulose-based synthetic fibers.

16. The grease filter of claim 11, wherein the filter pad comprises at least one surface configured to be removably coupled to the first perforated insert.

17. The grease filter of claim 10, wherein the first perforated insert is coupled to the external frame assembly via a hinge mechanism.

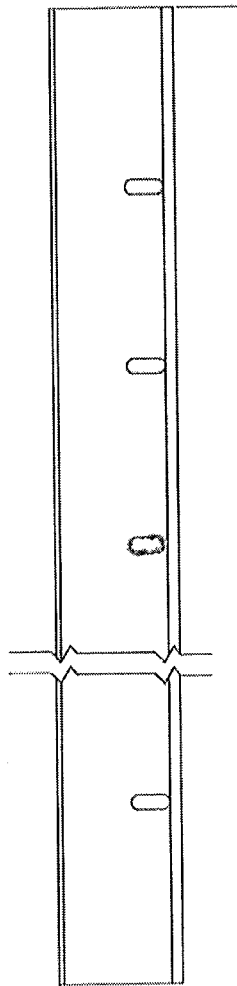
18. The grease filter of claim 10, further comprising a second perforated insert disposed within the external frame assembly and secured to one or more divider tabs of the external frame assembly.

19. The grease filter of claim 10, wherein one or more handles are pivotally connected to the grease filter.

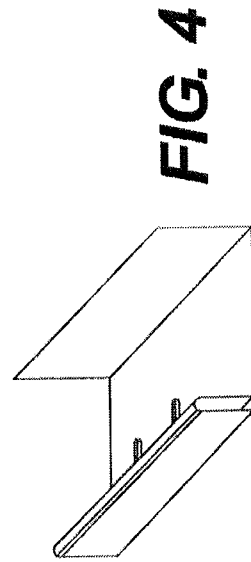
20. The grease filter of claim 13, wherein each of the first and second rows of baffles include a plurality of baffles spaced apart from each other to provide openings therebetween for the flow of air therethrough.



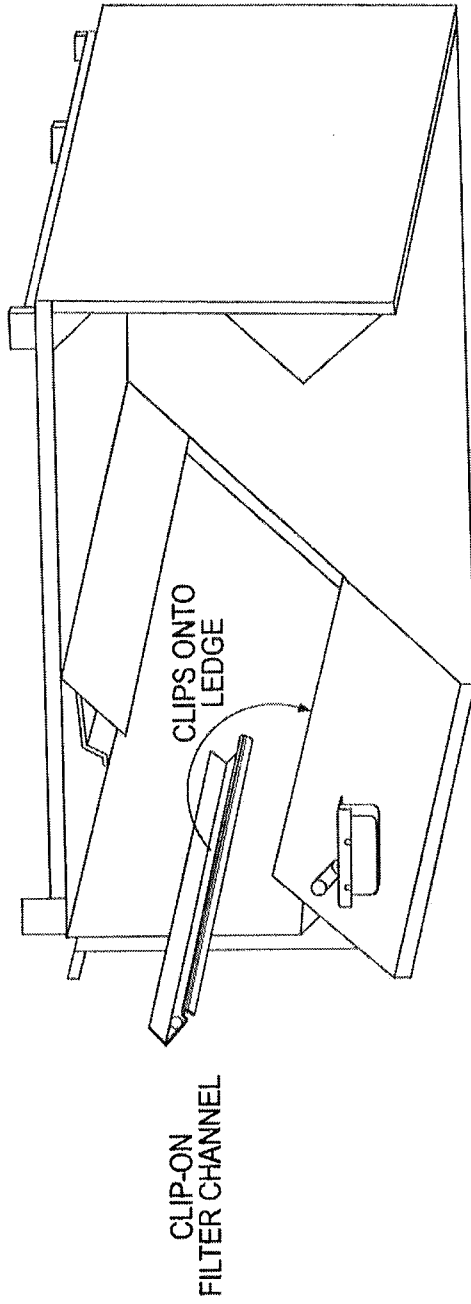
**FIG. 1**  
**FIG. 2**



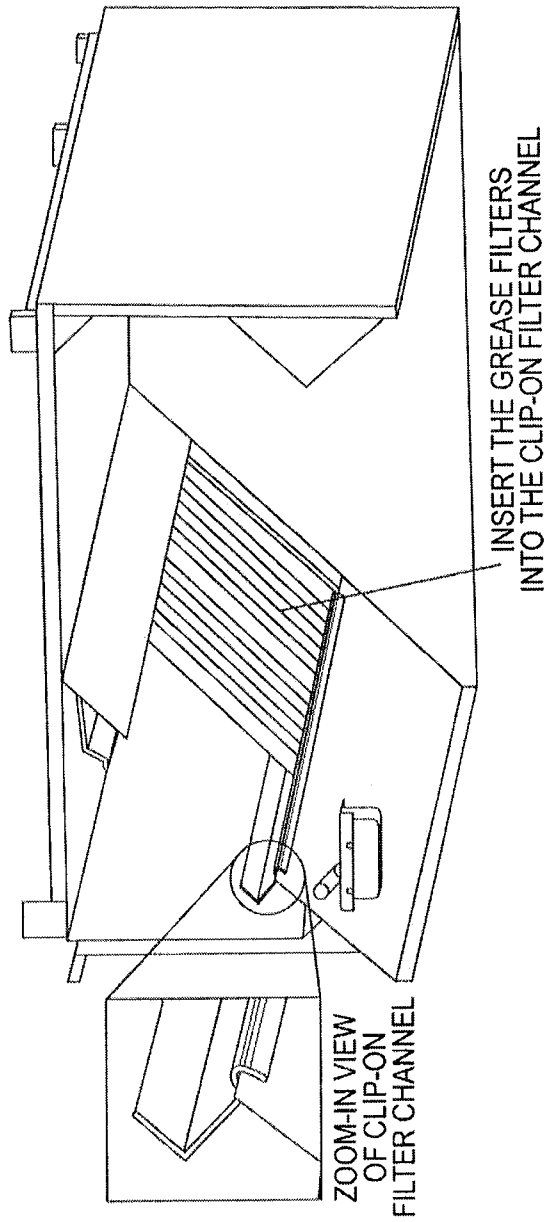
**FIG. 3**



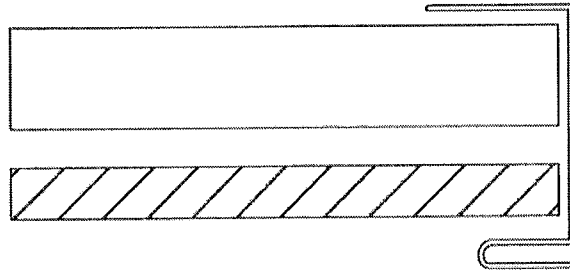
**FIG. 4**



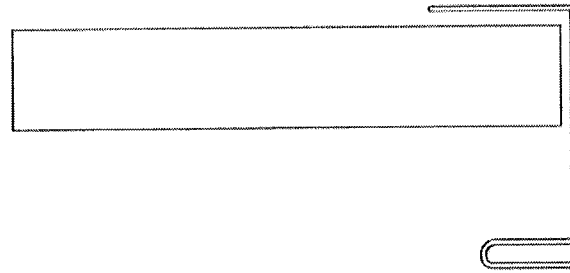
**FIG. 5**



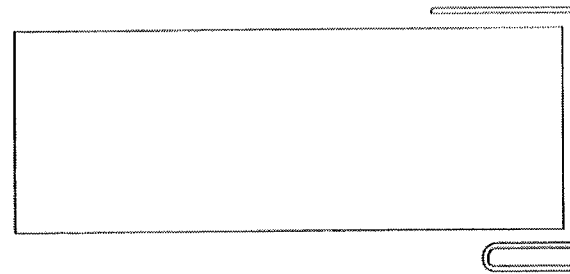
**FIG. 6**



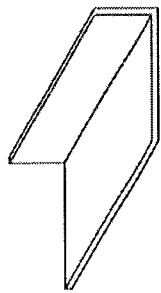
**FIG. 9**



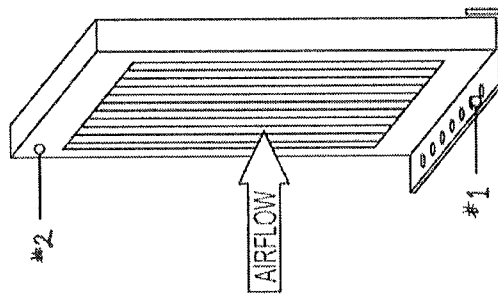
**FIG. 8**



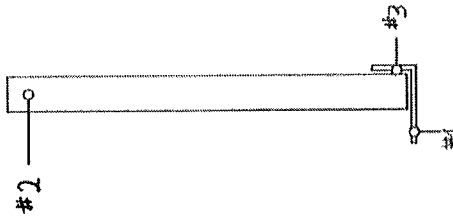
**FIG. 7**



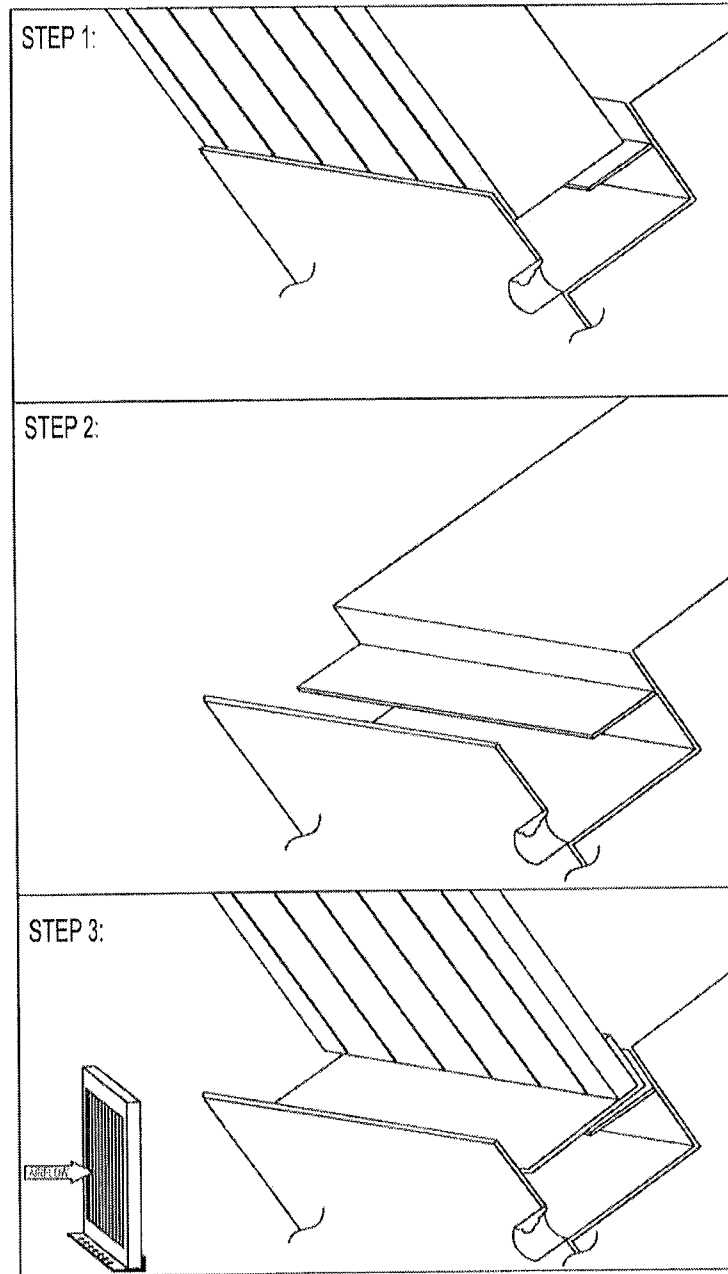
**FIG. 10**



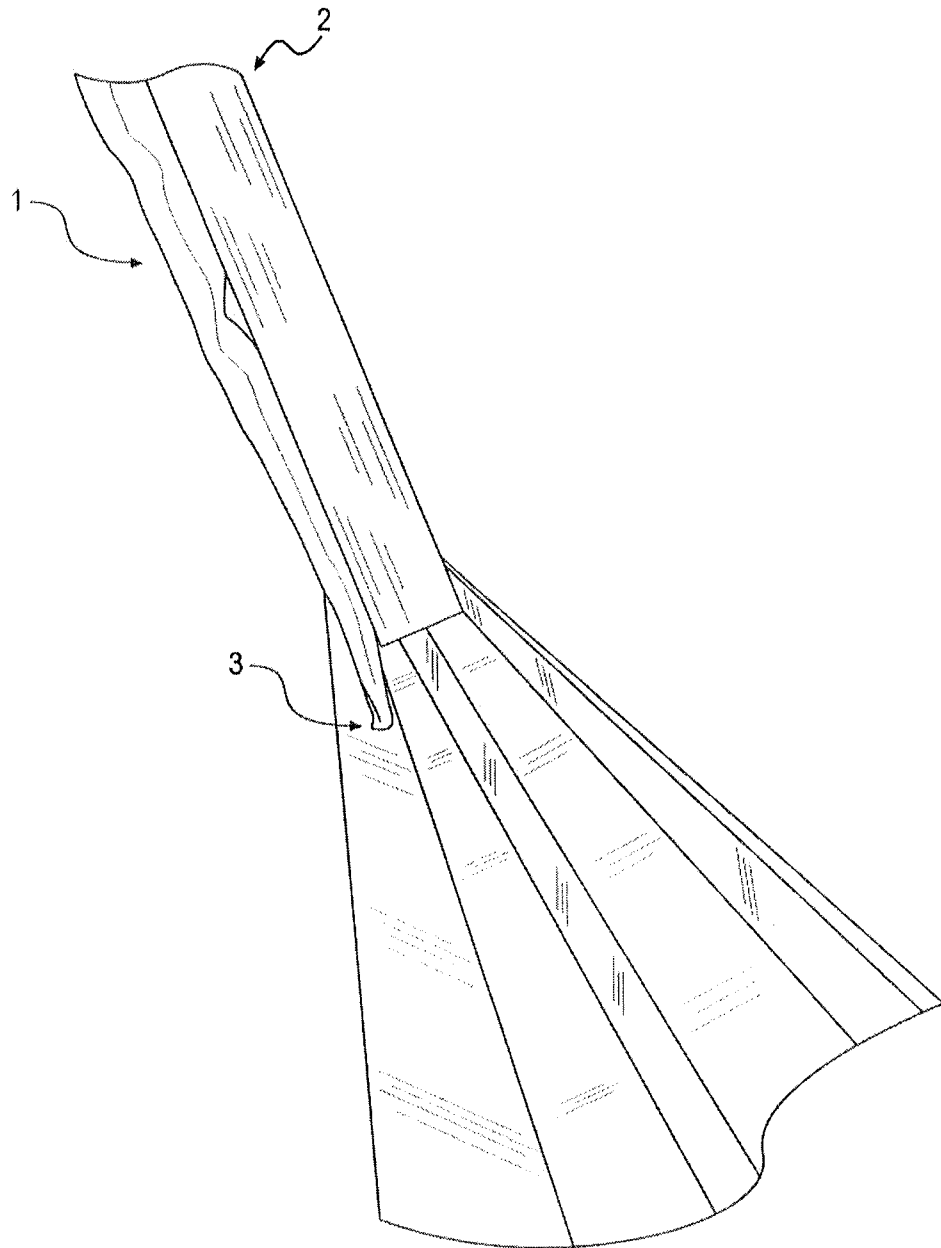
**FIG. 12**



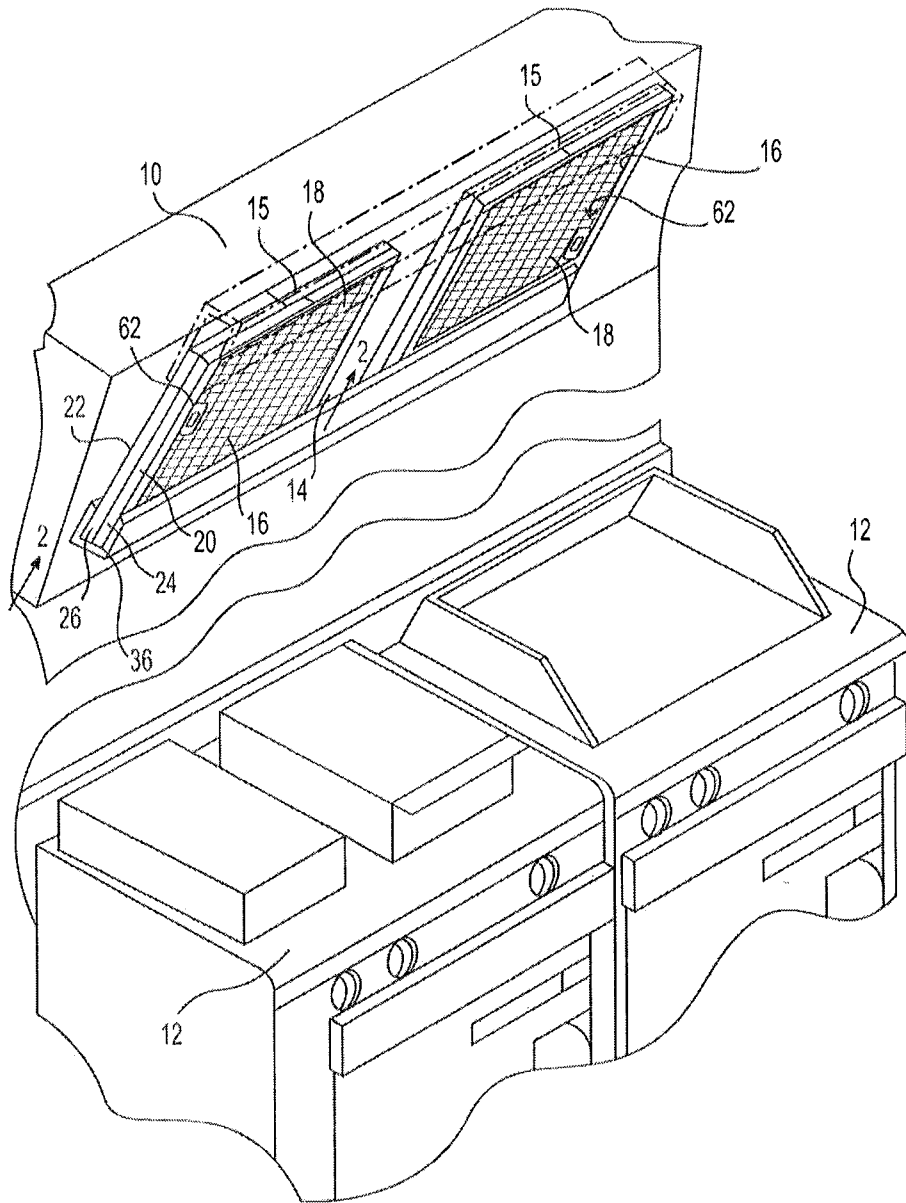
**FIG. 13**



**FIG. 14**

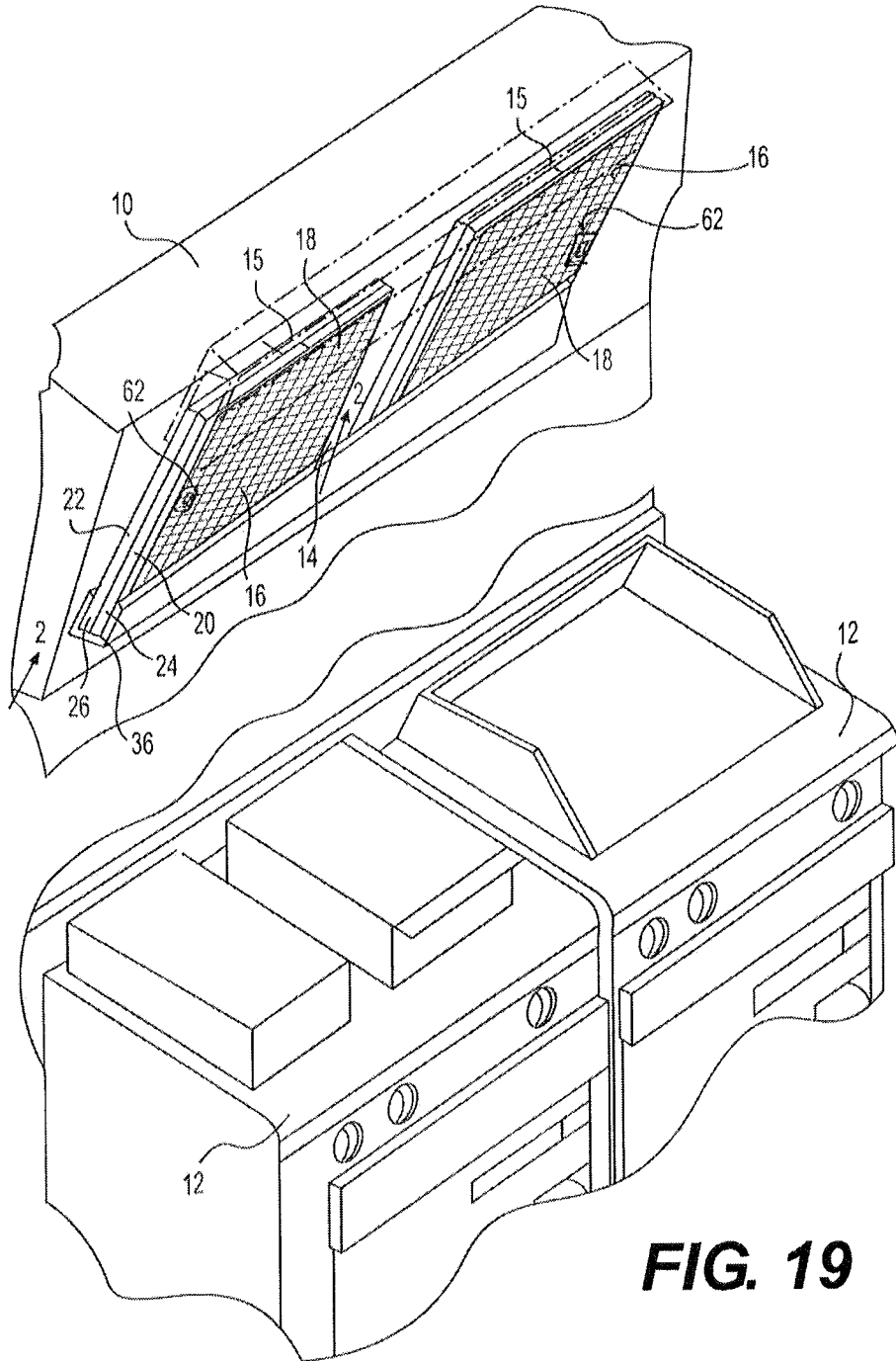


**FIG. 15**

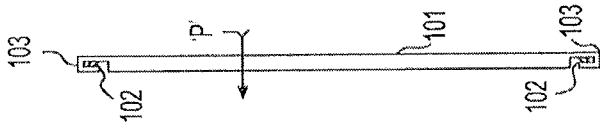


**FIG. 16**

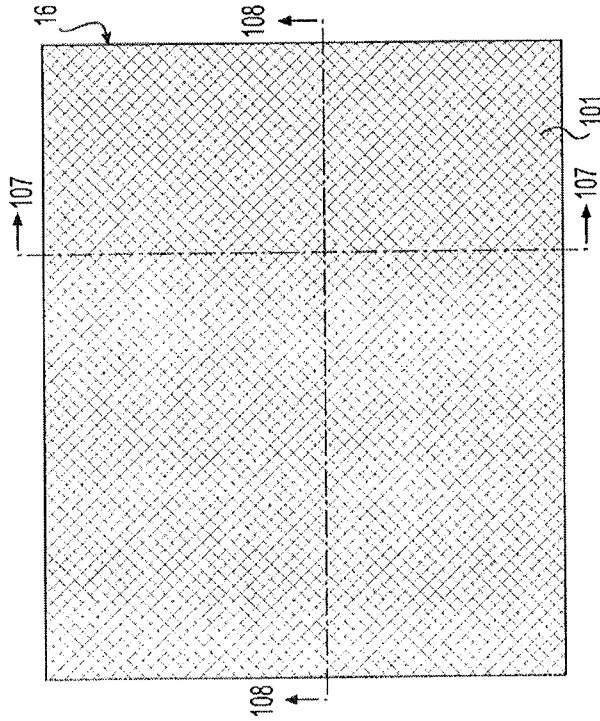




**FIG. 19**



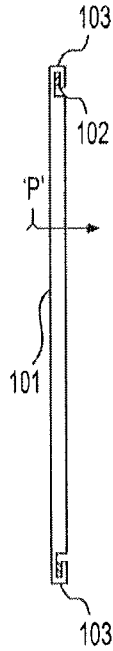
**FIG. 21**



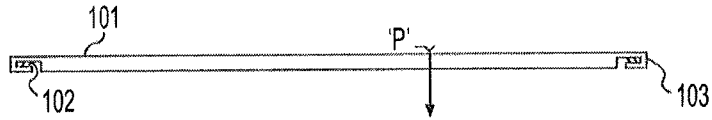
**FIG. 20**



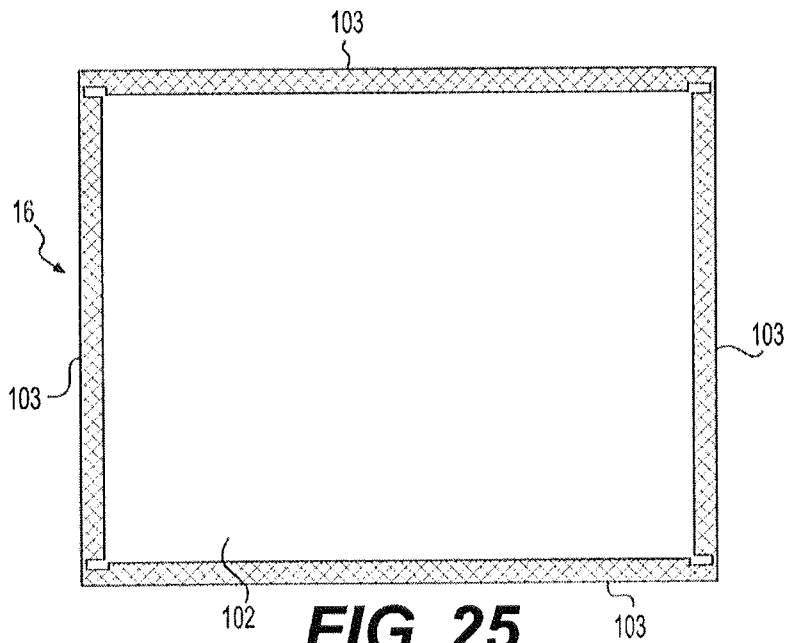
**FIG. 22**



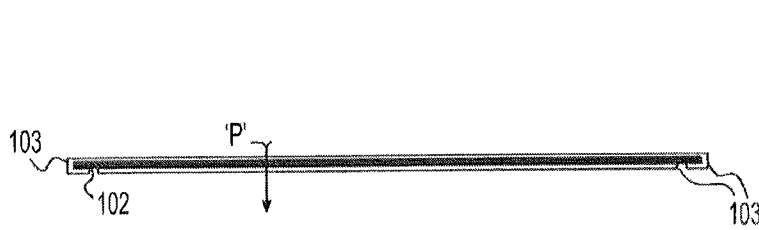
**FIG. 23**



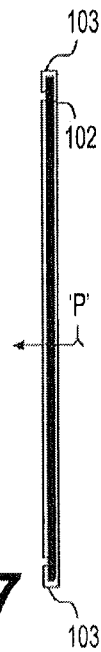
**FIG. 24**



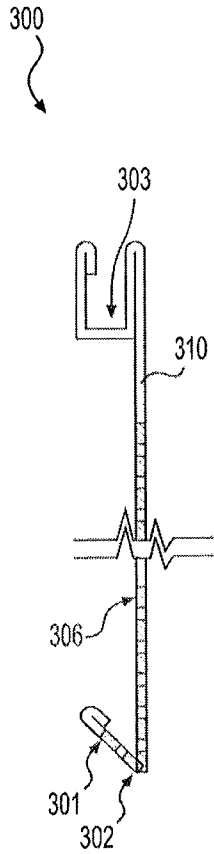
**FIG. 25**



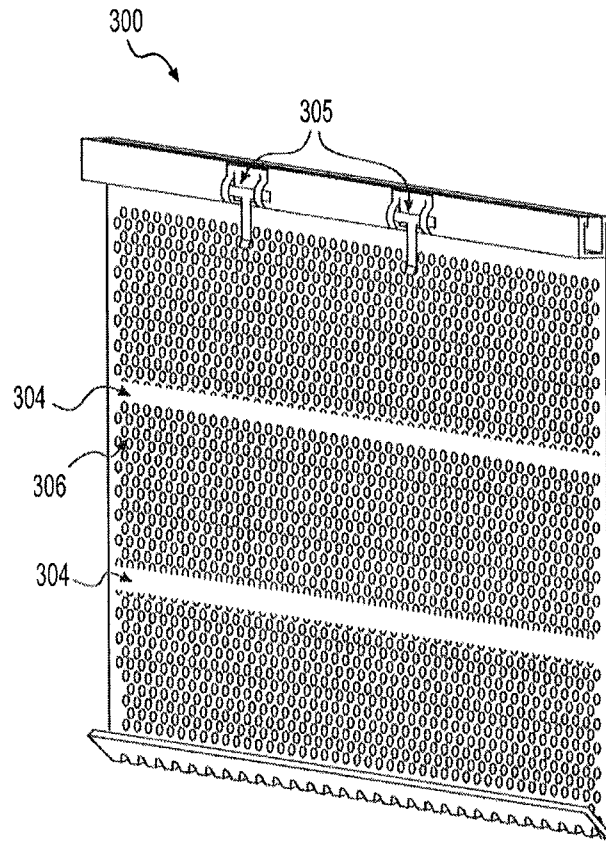
**FIG. 26**



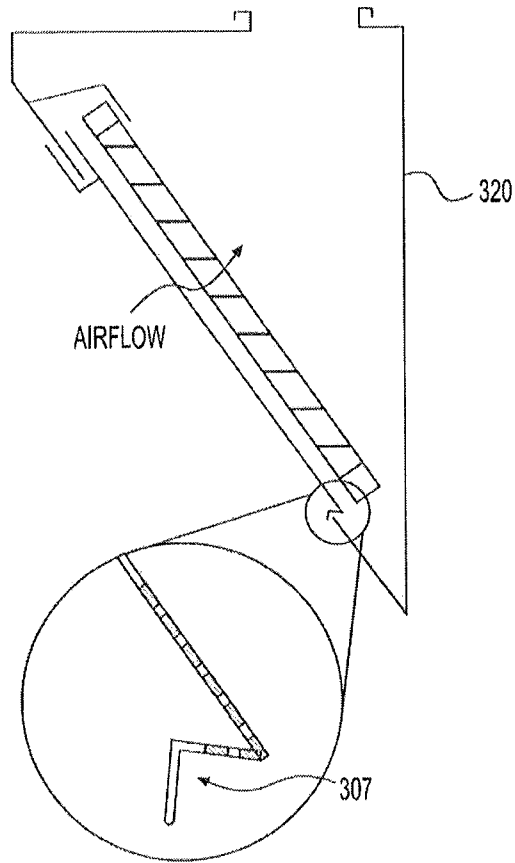
**FIG. 27**



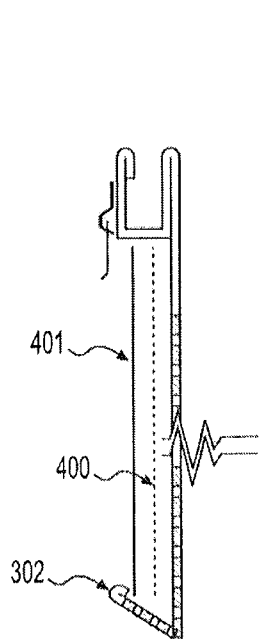
**FIG. 28**



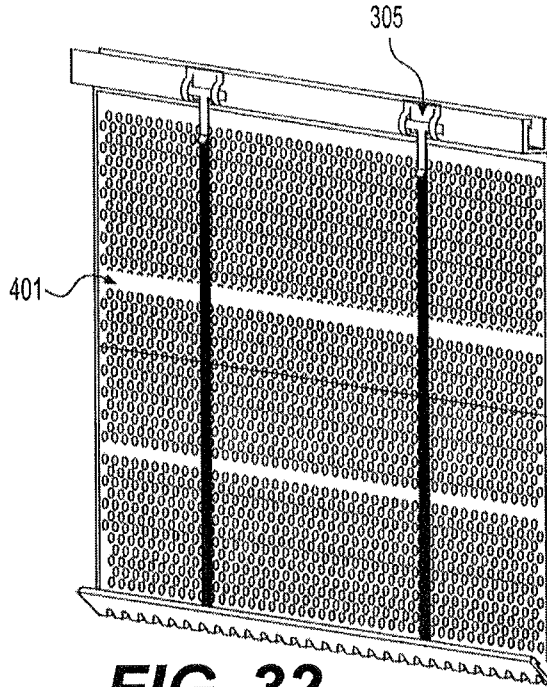
**FIG. 29**



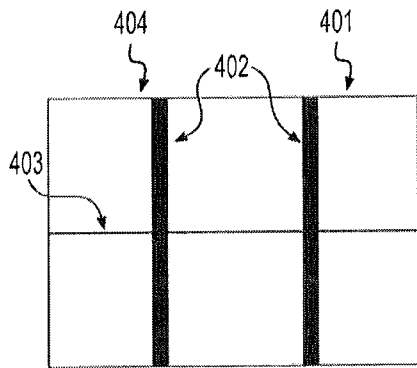
**FIG. 30**



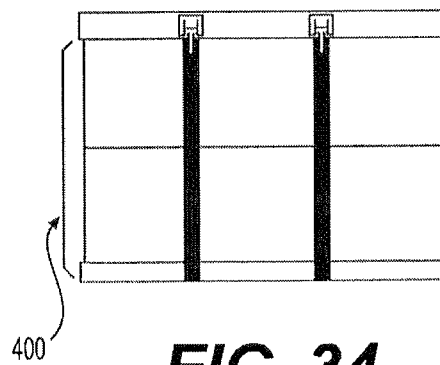
**FIG. 31**



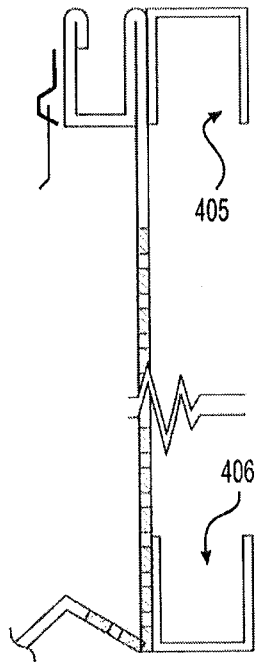
**FIG. 32**



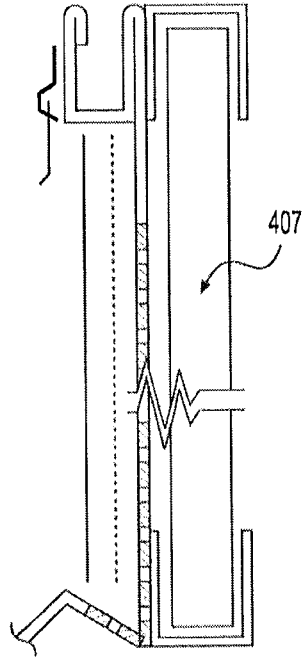
**FIG. 33**



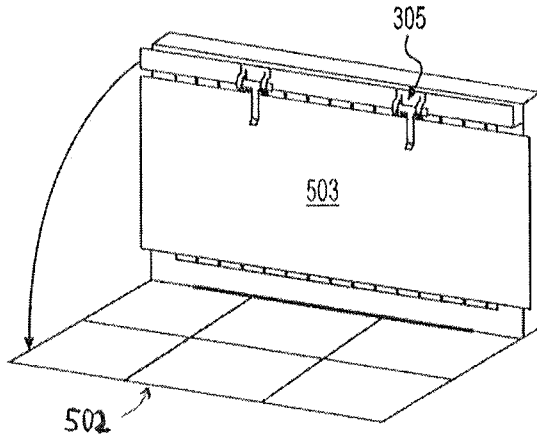
**FIG. 34**



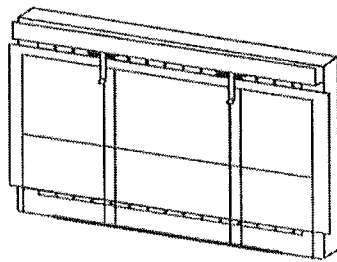
**FIG. 35**



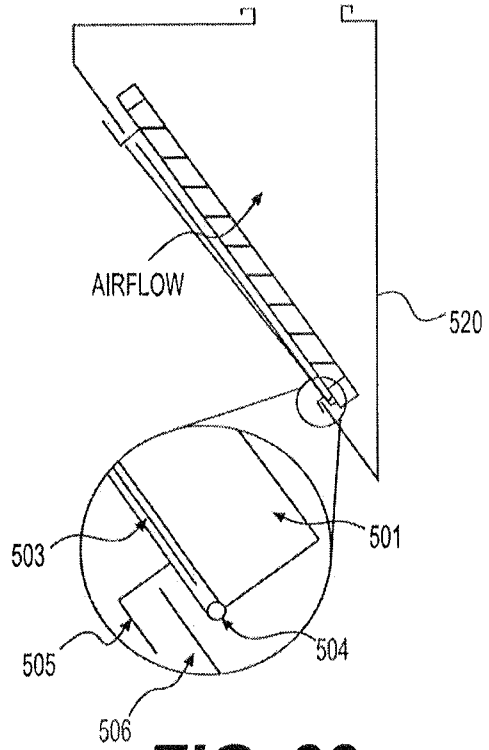
**FIG. 36**



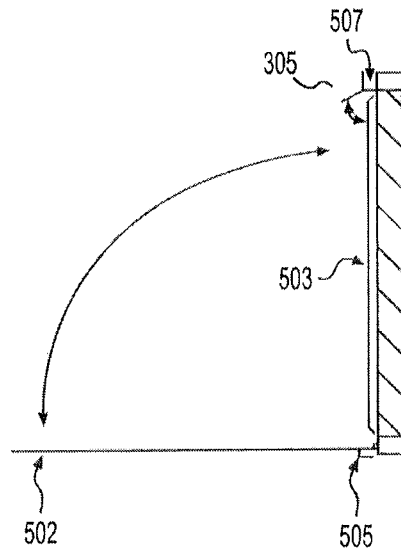
**FIG. 37**



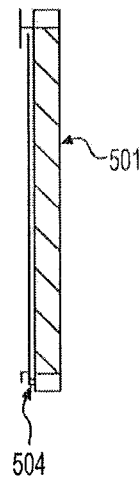
**FIG. 38**



**FIG. 39**



**FIG. 40**



**FIG. 41**

