

(19) World Intellectual Property Organization
International Bureau



(43) International Publication Date
21 December 2007 (21.12.2007)

PCT

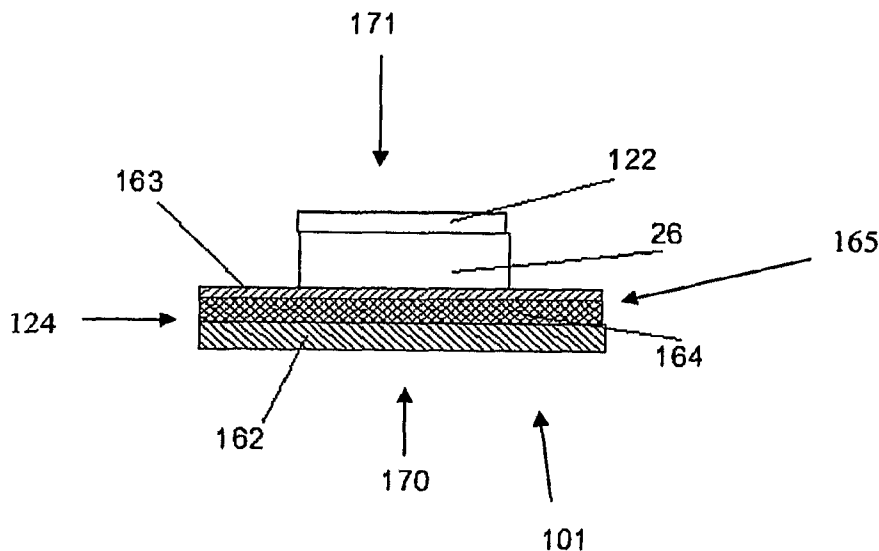
(10) International Publication Number
WO 2007/146149 A3

- (51) International Patent Classification:
A61F 13/15 (2006.01)
- (21) International Application Number:
PCT/US2007/013545
- (22) International Filing Date: 7 June 2007 (07.06.2007)
- (25) Filing Language: English
- (26) Publication Language: English
- (30) Priority Data:
60/811,580 7 June 2006 (07.06.2006) US
- (71) Applicant (for all designated States except US): **THE PROCTER & GAMBLE COMPANY** [US/US]; One Procter & Gamble Plaza, Cincinnati, Ohio 45202 (US).
- (72) Inventors; and
- (75) Inventors/Applicants (for US only): **AUTRAN, Jean-Philippe, Marie** [FR/US]; 217 Hillcrest Drive, Wyoming, Ohio 45215 (US). **ROE, Donald, Carroll** [US/US]; 6324 Emberwood Court, West Chester Township, Ohio 45069 (US). **YOUNG, Terrill, Alan** [US/US]; 3925 Brockton Drive, Cincinnati, Ohio 45251 (US). **MOONEY, Joan, Helen** [US/US]; 2432 Carol Drive, Reading, Ohio 45215 (US). **DESAI, Fred, Naval** [US/US]; 6383 Jamesfield Court, Fairfield, Ohio

- 45014 (US). **EHRNSPERGER, Bruno, Johannes** [US/US]; 3343 Cooper Road, Evendale, Ohio 45241 (US). **SAURER, Andrew James** [US/US]; 8705 Constitution Drive, Cincinnati, OH 45215 (US).
- (74) Common Representative: **THE PROCTER & GAMBLE COMPANY**; c/o Eileen L. Hughett, The Procter & Gamble Company, Winton Hill Business Center, 6250 Center Hill Road, Cincinnati, Ohio 45224 (US).
- (81) Designated States (unless otherwise indicated, for every kind of national protection available): AE, AG, AL, AM, AT, AU, AZ, BA, BB, BG, BH, BR, BW, BY, BZ, CA, CH, CN, CO, CR, CU, CZ, DE, DK, DM, DO, DZ, EC, EE, EG, ES, FI, GB, GD, GE, GH, GM, GT, HN, HR, HU, ID, IL, IN, IS, JP, KE, KG, KM, KN, KP, KR, KZ, LA, LC, LK, LR, LS, LT, LU, LY, MA, MD, ME, MG, MK, MN, MW, MX, MY, MZ, NA, NG, NI, NO, NZ, OM, PG, PH, PL, PT, RO, RS, RU, SC, SD, SE, SG, SK, SL, SM, SV, SY, TJ, TM, TN, TR, TT, TZ, UA, UG, US, UZ, VC, VN, ZA, ZM, ZW.
- (84) Designated States (unless otherwise indicated, for every kind of regional protection available): ARIPO (BW, GH, GM, KE, LS, MW, MZ, NA, SD, SL, SZ, TZ, UG, ZM, ZW), Eurasian (AM, AZ, BY, KG, KZ, MD, RU, TJ, TM), European (AT, BE, BG, CH, CY, CZ, DE, DK, EE, ES, FI, FR, GB, GR, HU, IE, IS, IT, LT, LU, LV, MC, MT, NL, PL,

[Continued on next page]

(54) Title: STRETCHABLE OUTER COVER FOR AN ABSORBENT ARTICLE AND PROCESS FOR MAKING THE SAME



(57) Abstract: A stretchable outer cover for use with an absorbent article including an elastomeric film. The elastomeric film includes at least one skin layer that is less tacky than at least one core layer. The outer cover can include a nonwoven layer different structural combinations of spunbond fibers, meltblown fibers, and/or nanofibers. The combination of plastic and elastic components results in an outer cover that has favorable mechanical, physical, and aesthetic properties. The outer cover can be rendered either uniaxially or biaxially stretchable via a mechanical activation process.

WO 2007/146149 A3



PT, RO, SE, SI, SK, TR), OAPI (BF, BJ, CF, CG, CI, CM,
GA, GN, GQ, GW, ML, MR, NE, SN, TD, TG).

Published:

— *with international search report*

(88) Date of publication of the international search report:

28 February 2008

INTERNATIONAL SEARCH REPORT

International application No

PCT/US2007/013545

A. CLASSIFICATION OF SUBJECT MATTER
 INV. A61F13/15

According to International Patent Classification (IPC) or to both national classification and IPC

B. FIELDS SEARCHED

Minimum documentation searched (classification system followed by classification symbols)
 A61F

Documentation searched other than minimum documentation to the extent that such documents are included in the fields searched

Electronic data base consulted during the international search (name of data base and, where practical, search terms used)

EPO-Internal, WPI Data

C. DOCUMENTS CONSIDERED TO BE RELEVANT

Category*	Citation of document, with indication, where appropriate, of the relevant passages	Relevant to claim No.
X	WO 2005/102682 A (FIRST QUALITY NONWOVENS INC [US]) 3 November 2005 (2005-11-03) paragraph [0069]; claim 58; figure 4a -----	1, 5, 7, 8, 10
A	WO 98/15399 A (TREDEGAR IND INC [US]) 16 April 1998 (1998-04-16) page 21, line 7 - line 11; figure 2 -----	1-10
A	US 2002/019616 A1 (THOMAS OOMMAN PAINUMOOTIL [US]) 14 February 2002 (2002-02-14) claims 1,13; figure 1 -----	1-10



Further documents are listed in the continuation of Box C.



See patent family annex.

* Special categories of cited documents :

- *A* document defining the general state of the art which is not considered to be of particular relevance
- *E* earlier document but published on or after the international filing date
- *L* document which may throw doubts on priority claim(s) or which is cited to establish the publication date of another citation or other special reason (as specified)
- *O* document referring to an oral disclosure, use, exhibition or other means
- *P* document published prior to the international filing date but later than the priority date claimed

- *T* later document published after the international filing date or priority date and not in conflict with the application but cited to understand the principle or theory underlying the invention
- *X* document of particular relevance; the claimed invention cannot be considered novel or cannot be considered to involve an inventive step when the document is taken alone
- *Y* document of particular relevance; the claimed invention cannot be considered to involve an inventive step when the document is combined with one or more other such documents, such combination being obvious to a person skilled in the art.
- *&* document member of the same patent family

Date of the actual completion of the international search

20 November 2007

Date of mailing of the international search report

06/12/2007

Name and mailing address of the ISA/

European Patent Office, P.B. 5818 Patentlaan 2
 NL - 2280 HV Rijswijk
 Tel. (+31-70) 340-2040, Tx. 31 651 epo nl,
 Fax: (+31-70) 340-3016

Authorized officer

Westermayer, Wilhelm

INTERNATIONAL SEARCH REPORT

Information on patent family members

International application No PCT/US2007/013545

Patent document cited in search report	A	Publication date	Patent family member(s)	Publication date
WO 2005102682	A	03-11-2005	CA 2563319 A1	03-11-2005
			CN 1997786 A	11-07-2007
			EP 1740749 A2	10-01-2007
WO 9815399	A	16-04-1998	AU 744099 B2	14-02-2002
			AU 7404198 A	16-09-1999
			BR 9712287 A	31-08-1999
			CA 2268431 A1	16-04-1998
			CN 1248937 A	29-03-2000
			CN 1605452 A	13-04-2005
			DE 69722947 D1	24-07-2003
			DE 69722947 T2	19-05-2004
			EA 2839 B1	31-10-2002
			EP 0930962 A1	28-07-1999
			ES 2201273 T3	16-03-2004
			JP 2001501883 T	13-02-2001
			KR 20050061611 A	22-06-2005
			PL 333111 A1	08-11-1999
TR 9900793 T2	21-11-2001			
US 2002019616	A1	14-02-2002	US 2005106971 A1	19-05-2005