



US00D748890S

(12) **United States Design Patent**
Castelluccio

(10) **Patent No.:** **US D748,890 S**

(45) **Date of Patent:** **** Feb. 2, 2016**

- (54) **SAFE IN THE FORM OF A BRICK**
- (71) Applicant: **Christopher T Castelluccio**, Chestnut Ridge, NY (US)
- (72) Inventor: **Christopher T Castelluccio**, Chestnut Ridge, NY (US)
- (73) Assignee: **Christopher T. Castelluccio**, Chestnut Ridge, NY (US)
- (**) Term: **14 Years**
- (21) Appl. No.: **29/507,391**
- (22) Filed: **Oct. 27, 2014**
- (51) **LOC (10) Cl.** **99-00**
- (52) **U.S. Cl.**
USPC **D99/37**
- (58) **Field of Classification Search**
USPC D99/28, 34, 35, 36, 37, 41, 43, 99
CPC E05B 65/0075; E05G 1/00; E05G 1/005; E05G 1/024; E05G 1/026; E05G 5/00; E05G 2700/00; E05G 2700/02; E07D 11/0006; E07D 11/0009; G07D 9/00; G07D 9/002; G07D 9/004; G07D 9/008; G07F 9/06; G07F 17/10; G07F 17/105; G07F 17/12
See application file for complete search history.

D498,895 S *	11/2004	Lynch	D99/28
D516,768 S *	3/2006	Walker	D99/28
D516,769 S *	3/2006	Walker	D99/28
D517,269 S *	3/2006	Walker	D99/28
D517,770 S *	3/2006	Walker	D99/28
7,175,071 B1 *	2/2007	Slagle	A47G 29/16 220/833
7,918,362 B2 *	4/2011	Schmitt	B65D 55/145 220/324
D651,785 S *	1/2012	Martin	D99/28
D669,245 S *	10/2012	Skinner	D99/28
D671,705 S *	11/2012	Edmondson	D99/28
2008/0196637 A1 *	8/2008	Howell	E05G 1/005 109/38
2009/0189497 A1 *	7/2009	Stenbakken	A47G 1/06 312/248

* cited by examiner

Primary Examiner — Elizabeth J Oswecki

(57) **CLAIM**

The ornamental design for a safe in the form of a brick, as shown and described.

DESCRIPTION

FIG. 1 is a perspective view of a safe in the form of a brick, showing my new Design, in a used condition in a brick wall shown in broken lines;

FIG. 2 is an enlarged front elevation view thereof;

FIG. 3 is a rear elevation view thereof;

FIG. 4 is a left side elevation view thereof, the right side elevation view being a mirror image thereof;

FIG. 5 is a top plan view thereof, the bottom plan view being a mirror image thereof;

FIG. 6 is an exploded perspective view thereof, illustrating a front cover of the safe removed; and,

FIG. 7 is another exploded perspective view thereof, with the front cover of the safe removed and the safe door in an open configuration.

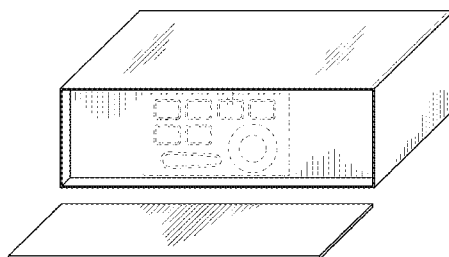
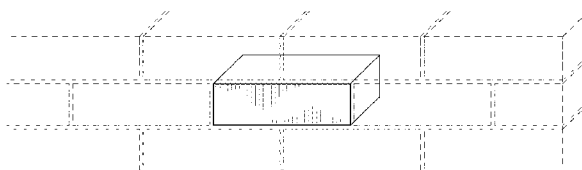
The broken lines showing a brick wall in FIG. 1 and a locking mechanism in FIGS. 6 and 7 depict environmental matter and form no part of the claimed design.

1 Claim, 3 Drawing Sheets

(56) **References Cited**

U.S. PATENT DOCUMENTS

1,908,831 A *	5/1933	Edward	E04H 13/003 16/389
D132,962 S *	7/1942	Salomon	D6/705
4,391,204 A *	7/1983	Mitchell	G07F 17/12 109/39
4,669,394 A *	6/1987	Fogleman	E05G 1/02 109/59 T
D291,019 S *	7/1987	Druihet	D8/302
D308,279 S *	5/1990	Hill	D99/28
D485,041 S *	1/2004	Paris	D99/28
D495,113 S *	8/2004	Lynch	D6/705.5



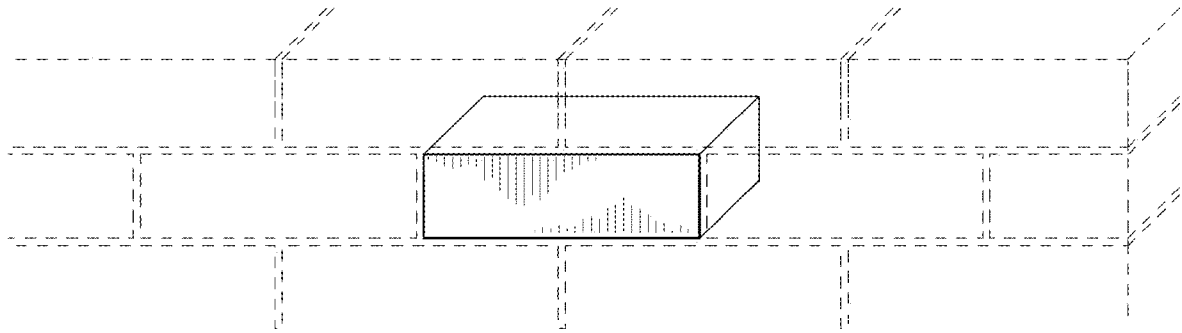


FIG. 1

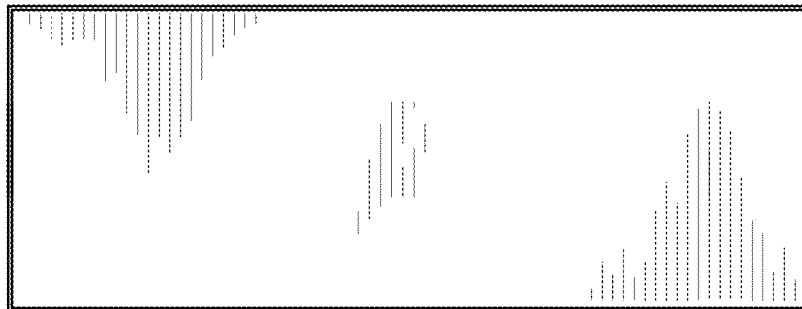


FIG. 2

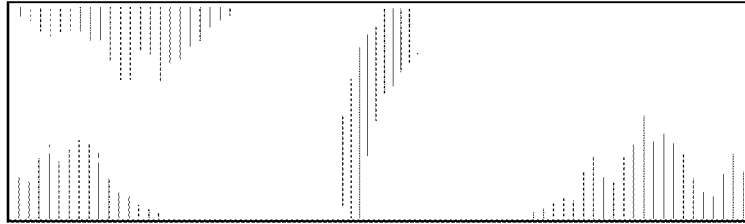


FIG. 3

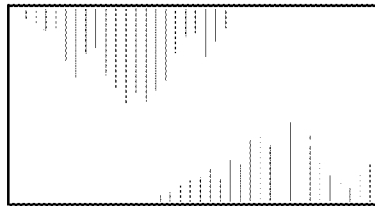


FIG. 4

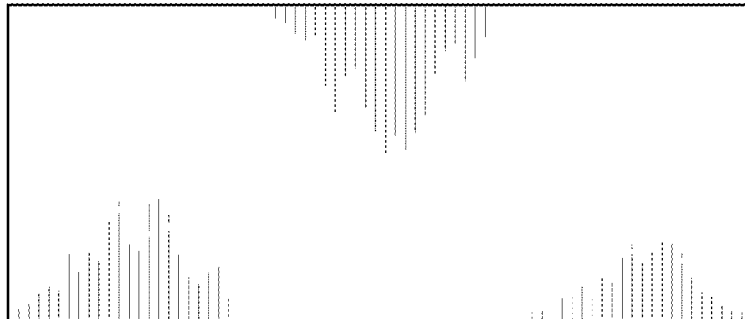


FIG. 5

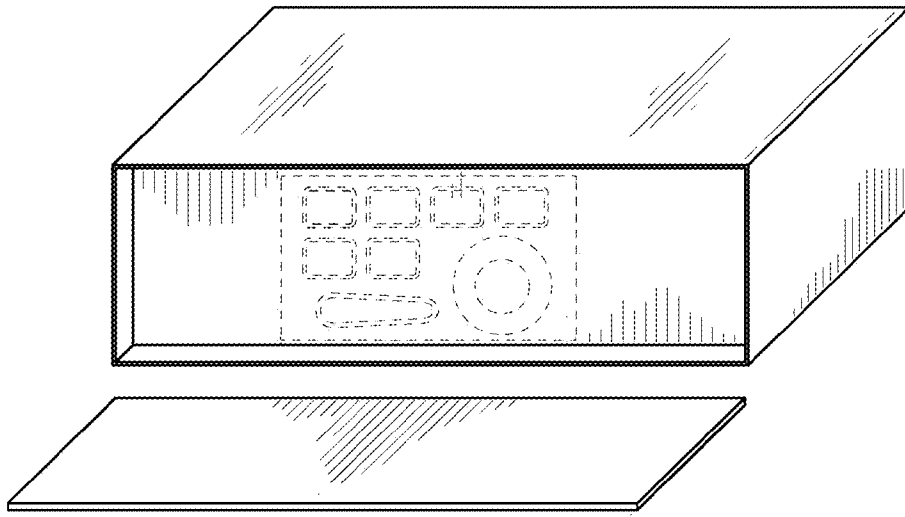


FIG. 6

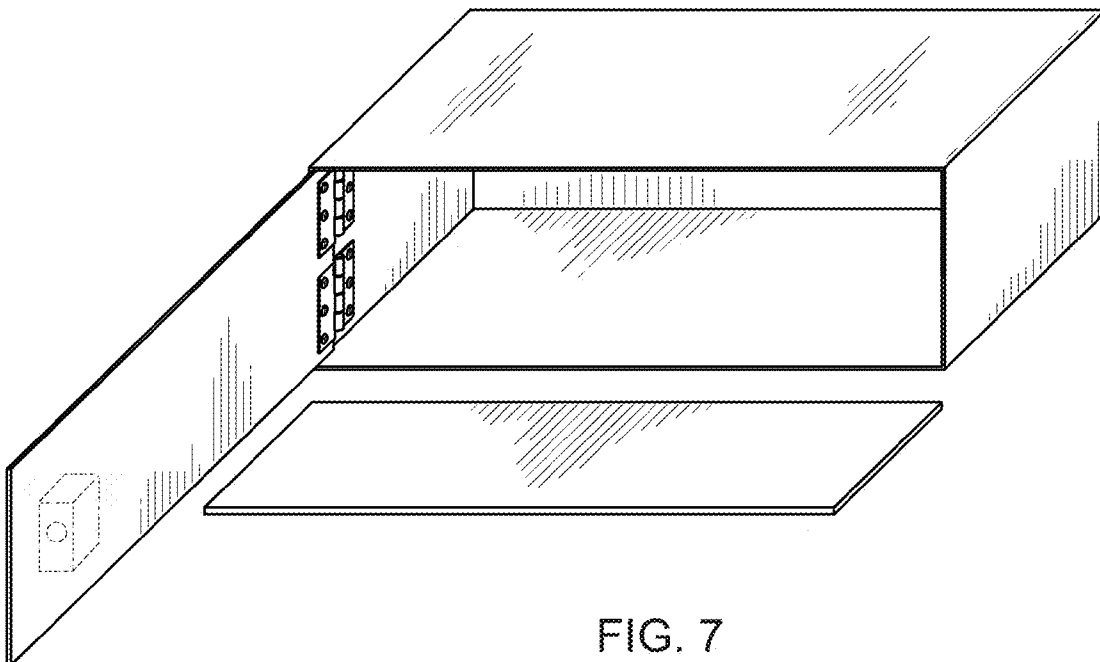


FIG. 7