



(22) Date de dépôt/Filing Date: 1997/09/24
(41) Mise à la disp. pub./Open to Public Insp.: 1999/03/24
(45) Date de délivrance/Issue Date: 2003/11/25

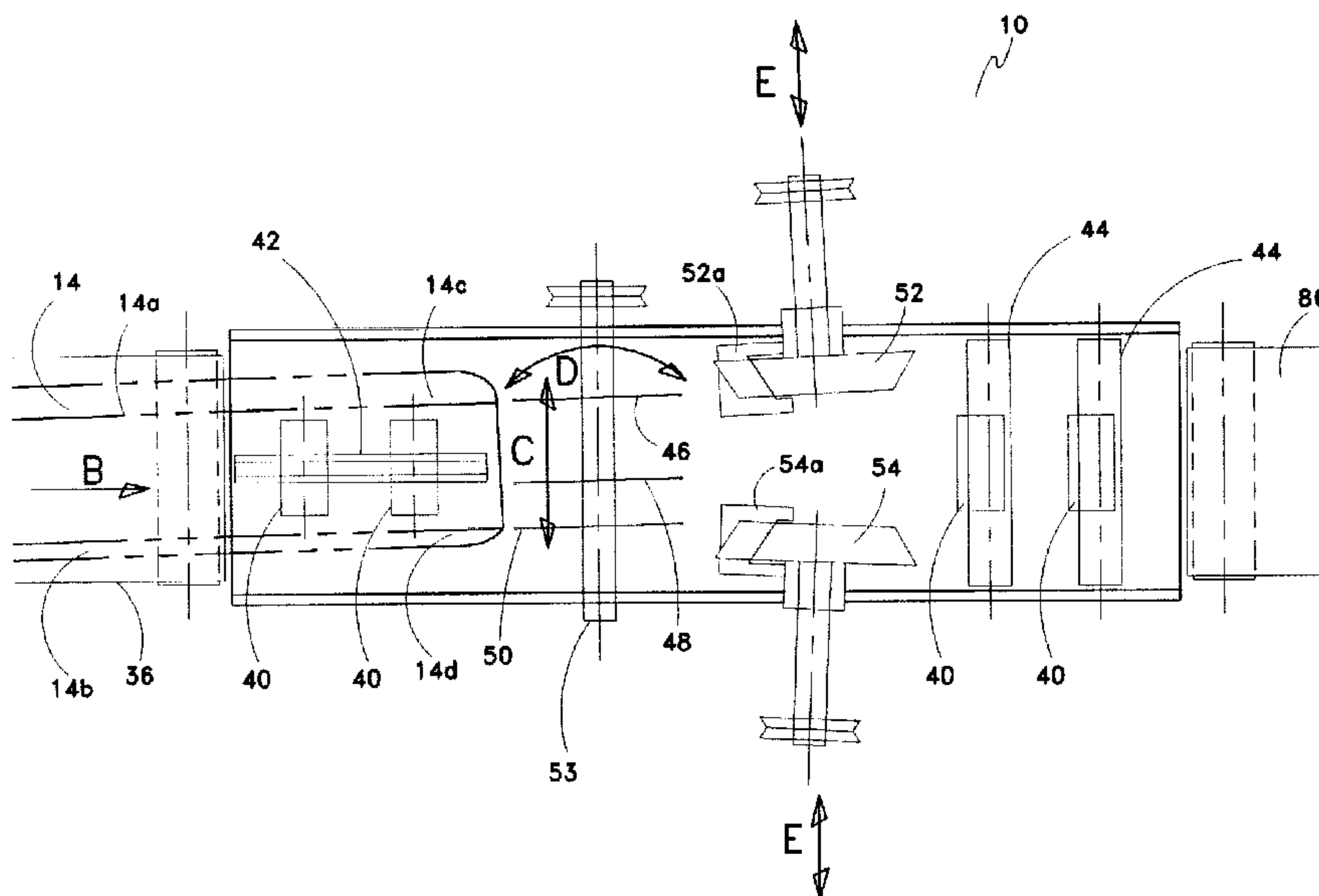
(51) Cl.Int.⁶/Int.Cl.⁶ B27B 3/18

(72) Inventeurs/Inventors:
MICHELL, STEVEN W., CA;
NEWNES, WILLIAM R., CA;
STROUD, BRIAN T., CA

(73) Propriétaire/Owner:
COE NEWNES/MCGEHEE ULC, CA

(74) Agent: EDWARDS, ANTONY C.

(54) Titre : METHODE ET APPAREIL DE DETECTION, D'OPTIMISATION ET D'ELIGNAGE DE PLANCHE AVEC UNE SCIE A DELIGNER ACTIVE
(54) Title: METHOD AND APPARATUS FOR SCANNING, OPTIMIZING AND EDGING A BOARD WITH AN ACTIVE EDGER



(57) Abrégé/Abstract:

An active edger includes an actively positionable gangsaw or a first end saw either mounted on an arbor mounted within a stationary saw box, wherein the gangsaw or first end saw is actively positionable relative to the saw box, or mounted on an arbor in fixed translational and skewing relation relative to, and within, an actively positionable saw box. In the latter embodiment the actively positionable gangsaw is selectively actively laterally translatable and selectively actively rotatable so as to skew the gangsaw relative to the saw box. In both embodiments, the saw box receives a workpiece, longitudinally conveyed in a downstream direction, longitudinally into the gangsaw or first end saw from an upstream position. A first chipping head, mounted to a first side of the saw box adjacent and downstream of the first end saw or a first end saw in the gangsaw is, in the first embodiment, selectively actively laterally positionable so as to align with a first feed line corresponding to the first end saw in unison with active positioning of the gangsaw, relative to the workpiece. In both embodiments, the first chipping head actively corresponds, in a lateral chipping depth, to a lateral edging dimension of a sawn edging sawn from the workpiece. The sawn edging is chipped as the workpiece is conveyed from, once sawn by, the gangsaw, longitudinally past the first chipping head.

Abstract of the Disclosure

An active edger includes an actively positionable gangsaw or a first end saw either mounted on an arbor mounted within a stationary saw box, wherein the gangsaw or first end saw is actively positionable relative to the saw box, or mounted on an arbor in fixed translational and skewing relation relative to, and within, an actively positionable saw box. In the latter embodiment the actively positionable gangsaw is selectively actively laterally translatable and selectively actively rotatable so as to skew the gangsaw relative to the saw box. In both embodiments, the saw box receives a workpiece, longitudinally conveyed in a downstream direction, longitudinally into the gangsaw or first end saw from an upstream position. A first chipping head, mounted to a first side of the saw box adjacent and downstream of the first end saw or a first end saw in the gangsaw is, in the first embodiment, selectively actively laterally positionable so as to align with a first feed line corresponding to the first end saw in unison with active positioning of the gangsaw, relative to the workpiece. In both embodiments, the first chipping head actively corresponds, in a lateral chipping depth, to a lateral edging dimension of a sawn edging sawn from the workpiece. The sawn edging is chipped as the workpiece is conveyed from, once sawn by, the gangsaw, longitudinally past the first chipping head.

METHOD AND APPARATUS FOR SCANNING, OPTIMIZING AND EDGING A BOARD WITH AN ACTIVE EDGER

Field of the Invention

5

This invention relates to a method and an apparatus for lineal or horizontal scanning and edging of boards or flitches including skewed flitches, for lumber, and in particular relates to a board edging system, for the edging (rip sawing) of a board according to an optimized profile in an active edger having with saws and chippers so as to eliminate a tailing device.

10

Background of the Invention

A board, or "flitch", by definition has first and second opposed cut planar faces and first and second opposed waned edges. In the prior art, flitches would be scanned and sequenced horizontally, positioned in the desired skew, if any, and then clamped by feed rolls to be feed linearly into a conventional edger. Alternatively, the flitches would be symmetrically centered in the direction of flow, fed through a linear scanner, and then, in the same direction of flow, into an edger capable of skewing and laterally translating. The first approach is effective, but the system is quite expensive and the positioning of the flitch can take up time. The second approach, such as is taught in US patent 4,599,929 to Dutina, works fine, but the system does not take full advantage of modern automatic controls and does not teach the requisite mechanics to do so.

20

Different lineal scanning and positioning methods have been used. US patent number 4,239,072, to Meriläinen, discloses a lineal scanning and skew edging process, but does not allow for multiple saws. US patent number 4,449,557, to Mäkelä, discloses a similar process to that of Meriläinen '072, but lacks the ability to reduce the edgings to chips, and also does not allow for multiple saws.

25

US patent number 5,429,161 to Allard discloses a linear scanning resawing process.

The apparatus positions the workpiece while the workpiece is moving by means of two pair of tandem, opposed top and bottom, clamp rollers that skew the workpiece as it is translated for resawing. This process relies on twisting the workpiece as it moves through the roller clamps.

5 This causes skidding of the workpiece between the rollers as they are skewed. The variance in friction between different workpieces and the rollers and the difference in the direction of the rollers' axis and the direction of the workpiece as it travels through the roller clamps, may cause a margin of error that reduces the recovery percentage. It is well known in the industry that roll feed edgers are not that accurate.

10

Summary of the Invention

The method and apparatus for scanning, optimizing and edging a board with an active edger, and control thereof, consists of, first, an unscrambler that receives and separates the

15 flitches from the mill. The unscrambler feeds the flitches onto an even ending roll case having a live fence. The ending rolls even-end the flitches against the live fence, and then transfer the flitches to a flitch sequencing transfer table, or, for timed release, on to a variable speed lugged transfer table. The transfer table gathers and advances the flitches. The profiles of the flitches are scanned at this point if using a transverse scanning system. The flitches are advanced for timed

20 release, so as to queue the flitches for release onto a chain feed, or other type of feed table, where the flitches are roughly positioned to "zero far side" against a fence (also known as a line bar). The flitches are advanced, perpendicular to the flow of the transfer table, straight towards the active edger. The feed table feeds the flitches singly on to a wide circulating belt, or belt conveyor, separated only by the distance needed to queue up the next flitch on to the roll case.

25 When using a lineal scanner, the belt conveyor moves the flitches through the lineal scanner where the scanner reads the profiles of the flitches and sends the data to a decision processor system.

The advantage of “zero far side” positioning is to allow for the simplest possible positioning of a flitch on the feed table for feeding to the edger. This also allows the corresponding edger far side saw and/or chip head to remain in a localized area while the opposite edger saw(s) and chip head are adjusted to obtain the desired board width(s). This reduces the tailing solution needed behind the edger, thus reducing the complexity of the tailer and the time needed to make the adjustments of the tailer.

In the decision processor an optimizing algorithm generates a three dimensional model from the flitch's measurements and calculates the optimized edging solution. Data is then transmitted to a programmable logic controller (PLC) that in turn sends motion control information related to the optimum breakdown solution to the active edger, which sets the start position and controls the movement of the saws and chip heads using a motion controller, which may be position based.

The flitch moves from the scanner, along the belt conveyor, to a sharpchain positioned just in front of the active edger. Overhead driven press rolls above the sharpchain press the flitch down against the top of the sharpchain as the flitch feeds straight into the active edger. The overhead pressrolls cooperate with the circulating sharpchain in the infeed area of the active edger to control the direction and accuracy of straight feeding. The active edger feed area may also have split bedrolls in the infeed area. Non-split bedrolls may be provided in the outfeed area, also having overhead pressrolls. The flitch is pressed down by the overhead pressrolls onto the lower infeed sharpchain and bedrolls as the flitch is fed straight into and through the edger saws and chip heads. The saws and chip heads actively follow the optimum path unique to the flitch, the saws reducing the flitch to boards, the chip heads reducing the edgings to chips.

The sawing device rotates the guides and saws on an axis perpendicular to the flow, and simultaneously translates the guides and saws transversely to the flow to accomplish active cutting of a workpiece. The chip heads clean up the edgings.

The efficiency of lumber production from flitches, and in particular for irregular or crooked flitches, is improved by placing the flitch against a fence to the "zero far side" of a conveyor. The conveyor then moves the flitch through a lineal scanner, if not already scanned on a transverse scanner. The flitch is moved straight in the direction of flow through the edger, where the saws and chip heads skew and actively translate in unison to saw and chip the flitch. Conical chip heads can be mounted with a toe-in equal to the maximum skew of any given flitch, which allows the chip heads to remain substantially perpendicular to the direction of flow as the chip heads translate perpendicular to the flow along with the saws, which must skew and translate to cut the skewed flitch as desired. By attaching chip heads immediately behind the saws and in the saw feed line, and translating the chip heads along with the saws, the need to handle the edgings after they exit the edger is eliminated.

The efficiency of lumber production from flitches, and in particular for irregular or crooked flitches, is also improved by employing position-based motion controls for use with the active edger, which motion controls follow the cutting solution for each flitch as determined by both the optimizer from the scanned profile of the flitch and the desired lumber prerequisites.

Controlling the saws through the guides, as set out in more detail below, by cutting a gentle curve along the profile of a given flitch, in certain situations and given sawmill requisites, allows for increased board length and thus increased recovery percentage. This is achieved by accurate control of the saws by means of the saw guiding system described below and the position based motion controls working in cooperation with the optimizer which can be programmed to recognize a situation where a gentle curve may improve recovery percentage.

By the edger saws skewing and translating, and the edger chip heads translating in unison with the saws, so as to traverse the skew of the flitch as the flitch moves through the edger, the flitch only moves through the edger straight, in the direction it was scanned. The edger saws

and chip heads adjust for width and skew for starting position, and then translate together actively, to traverse the flitch by translating the saws and chip heads as the flitch moves through the edger so as to cut along the optimized path that has been determined by the optimizer.

5 An infeed anvil may be positioned tightly adjacent the bottom of the chip head(s). The anvil directs the edgings into the chip head(s) and prevents the edgings from being deflected down by the chip head(s) rotational cutting forces. The chip head(s) may be conical or drum-like, and may have compound angled knives that slice rather than chop the edgings, thus producing better quality chips. The infeed anvil and the chip heads may be positioned in the saw feed line
10 and close to the rear, that is, the downstream end of the saw blades, and may be attached to the same positioner cylinders for simultaneous translation of the chip heads and the saws. Outfeed vertical faced anvils may also be placed behind the chip heads to counteract any forces that the opposing chip head may cause. An opposing roller may be provided, cushioned and adjustable, so as to inhibit the zero far side chip head forces from pushing the flitch off the feed line, when using
15 only one chip head on the far side.

In an alternate chipper disc configuration, V-shaped wing knives are provided which prevent edging slivers from being forced between the chipping disc and the board.

20 The chip heads are used to reduce the edgings of the flitch so that there is no need to handle the edgings behind the edger.

In summary, and not so as to exclude the above, the active edger in a first embodiment of the present invention includes an actively positionable gangsaw or a first end saw
25 mounted on an arbor mounted within a stationary saw box, wherein the gangsaw or first end saw is actively positionable relative to the saw box. In a second embodiment, the gangsaw or first end saw is mounted on an arbor in fixed translational and skewing relation relative to, and within, an actively positionable saw box. The actively positionable gangsaw is selectively actively laterally

translatable and selectively actively rotatable so as to skew the gangsaw relative to the saw box. In both embodiments, the saw box receives a workpiece, longitudinally conveyed in a downstream direction, longitudinally into the gangsaw or first end saw from an upstream position. A first chipping head, mounted to a first side of the saw box adjacent and downstream of the first end saw
5 or a first end saw in the gangsaw is, in the first embodiment, selectively actively laterally positionable so as to align with a first feed line corresponding to the first end saw in unison with active positioning of the gangsaw, relative to the workpiece. In both embodiments, the first chipping head actively corresponds, in a lateral chipping depth, to a lateral edging dimension of a sawn edging sawn from the workpiece. The sawn edging is chipped as the workpiece is conveyed
10 from, once sawn by, the gangsaw, longitudinally past the first chipping head.

In one aspect of the present invention, the active edger further comprises a second actively laterally positionable chipping head mounted to a second side of the saw box, where the second side is opposite to the first side of the saw box. The second chipping head may be
15 downstream of a second end saw mounted on the arbor in the saw box, and actively laterally positionable so as to actively align with a second feed line corresponding to the second end saw, and so as to actively laterally position in unison with the second end saw. The second chipping head may be adjacent the second end saw and mounted in generally opposed facing relation to the first chipping head, or may be staggered, relative to the first chipping head, in a downstream
20 direction. Advantageously, in the first embodiment, the first and second chipping heads are aligned with toe-in relative to the alignment of the first and second end saws.

In a further aspect of the invention the saws are positioned by positioning saw guides corresponding to saws on the gangsaw. The saw guides are selectively rotatable about
25 corresponding generally vertical axes of rotation whereby rotating the guides skews the saws. The guides are positioned by selectively rotatable generally vertical shafts corresponding to the guides, and rigidly mounted thereto. Selective rotation means selectively rotate the shafts about their

longitudinal axes to thereby rotate the guides and the saws. The selective rotation means may be actuator driven worms and mating worm gears for selective rotation of the shafts.

5 The active edger of the present invention advantageously further includes means for cantilevering the workpiece over a gap in a workpiece conveyor. The gap is downstream of the active edger. The cantilever means is a means for cantilevered supporting of the workpiece, but not the sawn edging, whereby the sawn edging may fall into the gap as the workpiece is conveyed over the gap by the workpiece conveyor.

10 The invention provides other advantages which will be made clear in the description of the preferred embodiments.

Brief Description of the Drawings

15 The invention will be better understood by reference to drawings, wherein:

Figure 1 is a plan view according to a preferred embodiment of the invention;

Figure 2 is an enlarged partially cut away plan view of a portion of Figure 1.

20

Figure 3 is a plan view according to an alternative embodiment of the invention, showing one saw blade and staggered chip heads.

25 Figure 4 is a plan view according to a further alternative embodiment of the invention, showing a translating and skewing saw box with two chip heads.

Figure 5 is a plan view according to a further alternative embodiment of the invention, showing a translating and skewing saw box with one chip head.

Figure 6 is an elevation view according to the preferred embodiment of the invention, taken along section line 6-6 in Figure 1.

5 Figure 7 is an elevation view according to an alternative embodiment of the invention.

Figure 8 is an enlarged partially cut away view of a portion of Figure 6.

10 Figure 9 is a section view along line 9-9 in Figure 8, showing worm gears within the guide block.

Figure 10 is an elevation view of the simplified tailer.

15 Figure 11 is a plan view of the simplified tailer of Figure 10.

Figure 12 is a plan view of an alternative chip head.

20 Figure 12a is an elevation view of the alternative chip head of Figure 12.

Figure 13 is an enlarged partially cut away view of a portion of Figure 1 with the feed table modified as an alternative embodiment.

25 Figure 14 is, in perspective view, a block schematic diagram showing the relationship of the electronic devices.

Detailed Description of Preferred Embodiment

Referring to the drawing figures wherein similar characters of reference represent corresponding parts in each view, or preferred embodiment of the active edger apparatus is generally indicated by the reference numeral 10 and is best seen in Figures 1, 2 and 6.

As illustrated in Figure 1, unscrambler 12 receives flitches 14 from the mill in direction A. Flitches 14 are separated by unscrambler 12 and then fed onto an even ending roll case 16 which ends the flitches onto live fence 16a. Flitches 14 are then transferred on to a flitch transfer table 18, or a dropout 19. Dropout 19 allows the operator to reject a flitch before it moves on to transfer table 18. Transfer table 18 advances flitches 14 by the use of duckers. Duckers are rows of retractable stops which pivot on common shafts to insert stop arms into the flow of flitches. The duckers allow control, in a stop/start manner, of the flow of flitches across the transfer table. Thus on transfer table 18 the flitches transfer to ducker A20 which, when raised, stop further movement of the flitch. When ducker B22 on transfer table 18 becomes available, flitch 14 is sequenced from ducker A20 to ducker B22 where once again the flitch may be stopped. When ducker C24 on transfer table 18 becomes available, flitch 14 is sequenced from ducker B22 to ducker C24. When ducker D26 on transfer table 18 becomes available, flitch 14 is sequenced from ducker C24 to ducker D26. When ducker E28 on transfer table 18 becomes available, flitch 14 is sequenced from ducker D26 to ducker E28.

In an alternative embodiment, a variable speed lugged transfer table with lugged transfer chains (not shown) may also be employed. Timing skids (not shown), mounted near dropout 19, would hold back the flow of flitches 14 for timed release on to the lugged transfer table.

Feed table 30 receives flitches, one at a time, 14 from ducker E28. Feed table 30 moves flitch 14 against fence 32. Once flitch 14 contacts fence 32, feed table 30 begins to

translate flitch 14 in direction B. Flitch 14 moves from feed table 30 and fence 32, onto a wide circulating belt 36, which continues to translate flitch 14 in direction B. A driven overhead press roll 34, mounted near the upstream end of belt 36, assist in accelerating flitch 14 on to belt 36. Flitch 14 translates on belt 36 through lineal profile scanner 38. Lineal profile scanner 38 obtains
5 an image of flitch 14.

In an alternative embodiment an x-ray grade scanner 39 may be mounted adjacent, that is, in opposed relation above and below belt 36, upstream or downstream of lineal profile scanner 38. This X-ray grade scanner 39 may be of the type described in US patent 4,879,752 to
10 Jan Aune. The incorporation of X-ray grade scanner 39 in this manner may provide better optimization of the breakdown of flitch 14.

As best seen in Figures 2 and 6, a plurality of driven pressrolls 40, each actuated by pressroll cylinders 40a, receive flitch 14 prior to flitch 14 entering active edger 10. Pressrolls 40
15 press down to hold flitch 14 against the sharpchain 42, and onto split bedrolls 44 if so provided. Driven pressrolls 40 and sharpchain 42 drive flitch 14 in a straight line in direction B into active edger 10. Saws 46, 48 and 50, and chip heads 52 and 54 translate in direction E as flitch 14 moves through edger 10. Chip heads 52 and 54 are shown with toe-in of approximately 2.5 degrees. Toe-in allows chip heads 52 and 54 to traverse flitch 14 without the need to actively skew chip
20 heads. Active edger 10 includes saw guides 56, which contact both sides of saws 46, 48 and 50 to provide stability to the saws as flitch 14 passes through the active edger.

Within active edger 10, saws 46, 48 and 50 are rotated by, and are translatable on splined saw arbor 53. Saw blades 46, 48 and 50, via saw guides 56 translates saw blades
25 46, 48 and 50 in direction C and skew in direction D.

As best seen in Figures 8 and 9, saw guides 56 are attached to, and skewed, by shaft 58, shown in dotted outline in Figure 8, within saw guide block 60. Saw guide shaft 58 rotates

saw guides 56, thus skewing saw guides 56 and saws 46, 48 and 50 to the correct angle, that is, corresponding to the skewed flitch 14. Worm gear 62 and corresponding worm 64 within saw guide blocks 60, mate shaft 58 to shaft 66 so that rotation of shaft 66 rotates shaft 58. Spine or keyway 66a allow worm 64 to slide on shaft 66, while rotating with shaft 66. Shaft 66 is rotated
5 by Temposonic™ cylinder 67 (cylinder 67 may also be rotated by other means of precise controlled translation, such as stepper motors), through linkage 67a. Shaft 66 remotely actively skews the array of saw guides 56 corresponding to saws 46, 48 and 50 to follow the skew of flitch 14 as flitch 14 is translated through the saws. Saw guide blocks 60 are translated laterally by Temposonic™ cylinder shafts 70, 72 and 74 to first set saw spacing and then to actively translate
10 saws 46, 48 and 50 with spacing set to the optimizer decision which corresponds to the skew of flitch 14, thereby allowing saws 46, 48 and 50 to actively traverse skewed flitch 14, or to gently curve edge flitch 14, as the case may be, (cylinder shafts 70, 72 and 74 may also be translated by other means of precise controlled translation, such as stepper motors).

15 In an alternate embodiment, as best seen in Figure 3, active edger 10 has only one saw 46 on arbor 53, and chip heads 52 and 54 are staggered. As flitch 14 enters active edger 10, saw 46 and chip heads 52 and 54 translate into position in direction E, and continue to actively translate so as to follow the profile of flitch 14 as flitch 14 passes through active edger 10. Saw 46
20 saws the far side of flitch 14. Chip head 52 then chips the sawn edging as flitch 14 passes chip head 52. Side cushioned roller 52b adjusts to confirm the position of flitch 14. As flitch 14 passes chip head 52, the far side edge 14a is steadied by anvil roller 52b, which steadies flitch 14 as flitch 14 moves into chip head 54. Chip head 54 chips the near side edge 14b off flitch 14. This embodiment may be used in a single board solution, where only one board is produced from flitch 14.

25

An alternative embodiment feed table 30 is shown in Figure 13. Feed table 30 is used in conjunction with a transverse scanner (not shown), where flitch 14 is scanned as flitch 14 moves across transfer table 18 to feed table 30. A plurality of positioner cylinders 31 are provided

to replace fence 32. The number of positioner cylinders depends on the lengths of flitches the system can process. Positioner cylinders 31 are in line with transverse scanner lasers (not shown) mounted to the transverse scanner, spaced apart in equally spaced transverse array, the transverse scanner mounted for example transversely across the transfer table. Positioner cylinders 31 may
5 be set to position flitch 14 so that minimal movement of saws in edger 10 are needed. Positioner cylinders may extend a little after flitch 14 has been placed on feed table 30, thereby insuring the position of flitch 14 is known, even if the flitch has bounced. In this case, positioner cylinders 31 are set back the anticipated distance corresponding to the desired bounce correction, (flitch sizes may vary the extension of positioner cylinders from one system to another). Thus, flitch 14 may
10 be positioned on the desired feed line on feed table 30.

Positioner cylinders 31 may be simple air cylinders that stroke out to insure that the position of flitch 14 is known and accurate (as scanned). Alternatively, positioner cylinders 31 may be Temposonic™ type cylinders, (or by other means of precise controlled translation, such as
15 stepper motors). Temposonic™ type positioner cylinders 31 may be used to straighten a skewed flitch 14 to thereby reduce the need for edger 10 to skew. Temposonic™ type positioner cylinders 31 may be programmed to actively decelerate flitch 14, to thereby reduce edge crush, which causes a loss of recovery percentage, at the same time (i) allowing for increased speed of flitch placement on feed table 30 and, (ii) also thereby eliminating flitch bounce. Use of Temposonic™ cylinders
20 may allow the manufacture of a single type of active edger, independent of the method of scanning (transverse or lineal) employed. This reduces the number of types of edgers, and thus reduces their cost.

In further alternative embodiment, as best seen in Figure 4 and 7, active edger 10
25 skews in direction D on pivot axis 76. Active edger 10 skews in direction D and translates in direction E to position saw 46 and chip head 52 to begin edging a skewed flitch 14. The skew is then fixed. Concurrently, the spacing of saws 48 and 50 is set. The near side chip head 54 spacing is set along with near side saw 50. Thereafter, the active translation of active edger 10 in direction

E follows the optimum line to edge the board as flitch 14 reaches saws 46, 48 and 50. Active skewing of edger 10 may be required for sawing a gentle curve when edging of a flitch if desired.

5 In another embodiment as best seen in Figure 5, active edger 10 skews in direction D on pivot axis 76. Active edger 10 skews in direction D and translates in direction E, positioning saw 46 and chip head 52 for edging the skew of flitch 14. The skew is fixed, the saw spacing of saws 48 and 50 set, and then only the translation of active edger 10 in direction E occurs to follow the optimum line to edge the board. The active skewing of edger 10 may be needed for sawing a gentle curve when edging of a flitch. In this embodiment only one chip head 52 is used and an
10 adjustable cushioned roller 54b on the near side 14b may be employed. Roller 54b helps ensure the position of flitch 14, as flitch 14 is moved through edger 10 in direction B. Out feed anvil 52d may be provided where the far side edge 14a, which has just been sawn, further assisting to stabilize position of flitch 14 as it moves through edger 10.

15 Referring again to the embodiment seen in Figure 2, as flitch 14 moves through edger 10, the edgings (not shown), to be formed by the cutting away of waned edge slabs 14c and 14d by saws 46 and 50, are directed at chip heads 52 and 54 as the edgings move along with flitch 14 in direction B. Infeed anvils 52a and 54a assist in reducing the edgings created by saws 46 and 50 to chips, by directing edgings into chip heads 52 and 54. The chips created fall away on to a
20 sawdust and chip conveyor (not shown). Driven pressrolls 40 continue pressing flitch 14 on to bed rolls 44 on the outfeed of edger 10. Pressrolls 40 are lifted, by actuation of cylinders 40a, as the trailing end of the flitch 14 passes through edger 10 onto outfeed belt 86. As shown in Figure 12 and 12a, anvil 52a may include side fence 52b to redirect any loose edgings back into chipping head 52. Loose edgings may otherwise move off to the side, away from chipping head 52.
25 Similarly, anvil 54 may include side fence 54b (not shown).

Figure 12 and 12a also illustrate an improved chip head 80 having V-shaped wing knives 82. V-shaped wing knives 82 direct the edgings into the mid portion of chip head 80, to

prohibit slivers being forced between the chip head and sawn edge of flitch 14. The illustrated angle 82a of V-shaped wing knives 82 is not to scale, although angle 82a should have a defined angle akin to the angle shown. The rest of the chip head may be a cone or drum-like.

5 A simplified tailer 84 is seen in Figure 10 and 11. Tailer 84 works in conjunction with the above embodiments when only one chip head 52 is used on the far side 14a. Tailer 84 cooperates with edger outfeed belt 86. Edger outfeed belt 86 has an overhead press roll 88 adjacent its downstream end, downstream in the direction of flow, direction B. Pressroll 88 holds flitch 14 (now a board, or boards) down on to belt 86. Roller 90 under belt 86 prevents the action
10 of overhead press roll 88 pressing on flitch 14 from slowing outfeed belt 86. Overhead press roll 88 cantilevers flitch 14 over a gap 92. The near side edging of flitch 14 falls through gap 92 onto a conveyor (not shown). Because of the shape of the edgings and because that they are not supported by the overhead press roll 88, the edgings simply fall off to the side of flitch 14. Overhead press roll 88 may be adjustable in direction E depending on mill requisites. Depending
15 on how long and how wide the boards coming out of the edger are, and what their skew maximum is, dictates whether there is a need for a side to side adjustment of overhead press roll 88. Secondary outfeed belt 94 cooperates with a secondary outfeed hold down means such as pressroll 96. Secondary outfeed hold down 96 supports board(s) as they are moving over gap 92. Near side fence 98 redirects board(s) back into the direction of flow, direction B. Near side fence 98 is
20 needed when the lengths of flitch 14, in combination with flitch 14 skew maximums, cause board(s) to move off track. Secondary outfeed belt 94 can be an adjustable belt, adjustable in direction E or direction B if needed, again depending on mill requisites, where lengths and skew maximums require greater machine flexibilities.

25 As best seen in Figure 14, an optimizer decision processor 100 and the scanner 38 communicate on a common scanner local area network 102. There is an ethernet local area network (LAN) 104 and a network server 106 for network communications, and a modem 108 for

external communications. The man-machine interface 110 and primary workstation 112 also communicate over the ethernet LAN 104.

5 The optimizer decision processor 100 and associated network server 106, man-machine interface 110, programmable logic controller (PLC) 114 and primary work station 112 communicate across a common ethernet LAN 104 which is available as a connection point to existing mill networks. This connection point allows workstations within the existing mill offices (with appropriate software) access to all flitch optimization functions. A dedicated communications link 116 may exist between the optimizer decision processor 100 and the
10 programmable logic controller (PLC) 114. All workstations and the network server 106 contain applications which provide mill personnel the tools they require to define their environment (scanner, optimizer, machine center, products, shift schedules, reports) to the flitch optimizer system; pre-generate various start-up configurations; start, stop and load the system; visually monitor the flitch 14 as it proceeds through the machine centers and monitor the operation for
15 unusual conditions. The operators console 118 allows the operator to stop the movement of flitches 14 or divert a flitch through dropout 19.

Modem 108 attached to the network server 106 and the primary workstation 112 using remote access software and appropriate controls, allows remote dial-up access to the mill
20 site for software reprogramming and remote operation of almost every application and function as well as retrieval of statistics and flitch summaries for off-site service analysis. The man-machine interface 110 provides operator input and allows the operator access to various levels of machine operation and control. The PLC 114 and motion controllers 120, share the task of monitoring speed and position of the flitch 14 and controlling positioners. Encoders (not shown) on belt 36,
25 provide tracking information relative to the movement of the flitch 14.

It is apparent then that variations and modifications of the invention can be made without departing from the spirit or scope thereof. Such variations might include, zero near side

positioning, which would essentially apply the same rules as "zero far side" positioning, except the action of the feeding table 30 would be slightly different than that depicted herein. Such variations and modifications are meant to be comprehended within the scope of the invention.

5 As will be apparent to those skilled in the art in the light of the foregoing disclosure, many alterations and modifications are possible in the practice of this invention without departing from the spirit or scope thereof. Accordingly, the scope of the invention is to be construed in accordance with the substance defined by the following claims.

WHAT IS CLAIMED IS:

1. An active edger comprising:

5 an actively positionable gangsaw mounted on an arbor mounted within a stationary saw box, said gangsaw actively positionable relative to said saw box, said gangsaw for receiving a workpiece, longitudinally conveyed in a downstream direction, longitudinally into said gangsaw from an upstream position,

10 a first chipping head, mounted to a first side of said saw box adjacent and downstream of a first end saw in said gangsaw, said first chipping head selectively actively laterally positionable, so as to align with a first feed line corresponding to said first end saw in unison with active positioning of said gangsaw, relative to said workpiece, to thus actively correspond, in a lateral chipping depth, to a lateral dimension of a sawn edging sawn from
15 said workpiece, in chipping engagement with said sawn edging of said workpiece as said workpiece is conveyed from, once sawn by, said gangsaw and longitudinally past said first chipping head so as to reduce said sawn edging into chips.

20 2. The active edger of claim 1 further comprising a second actively laterally positionable chipping head mounted to a second side of said saw box, opposite to said first side of said saw box.

25 3. The active edger of claim 2 wherein said second chipping head is downstream of a second end saw in said gangsaw, actively laterally positionable so as to actively align with a second feed line corresponding to said second end saw, and so as to actively laterally position in unison with said second end saw.

4. The active edger of claim 3 wherein said second chipping head is adjacent said second end saw and mounted in generally opposed facing relation to said first chipping head.
5. The active edger of claim 2 wherein said second chipping head is staggered, relative to
5 said first chipping head, in a downstream direction.
6. The active edger of claim 4 wherein said first and second chipping heads are aligned with toe-in relative to alignment of said first and second end saws.
- 10 7. The active edger of claim 5 wherein said first and second chipping heads are aligned with toe-in relative to alignment of said first and second end saws.
8. An active edger comprising:
15 a gangsaw mounted on an arbor within an actively positionable saw box, said gangsaw for receiving a workpiece, longitudinally conveyed in a downstream direction, longitudinally into said gangsaw from an upstream position, said saw box actively positionable by selective lateral translation and selective rotation relative to said longitudinal conveyance of said workpiece in said downstream direction, a first chipping head, mounted to a first
20 side of said saw box adjacent and downstream of a first end saw in said gangsaw, said first chipping head to align with a first feed line corresponding to said first end saw and actively positionable in unison with said first end saw of said gangsaw, relative to said workpiece, to thus actively correspond, in a lateral chipping depth, to a lateral dimension of a sawn edging sawn from said workpiece, in chipping engagement with said sawn edging of said
25 workpiece as said workpiece is conveyed from, once sawn by, said first end saw within said gangsaw and longitudinally past said first chipping head so as to reduce said sawn edging into chips.

9. The active edger of claim 8 further comprising a second actively laterally positionable chipping head mounted to a second side of said saw box, opposite to said first side of said saw box.
- 5 10. The active edger of claim 9 wherein said second chipping head is downstream of a second end saw in said gang saw, mounted on said arbor, actively laterally positionable so as to actively align with a second feed line corresponding to said second end saw, and so onto actively laterally position in unison with said second end saw.
- 10 11. The active edger of claim 10 wherein said second chipping head is adjacent said second end saw and mounted in generally opposed facing relation to said first chipping head.
12. The active edger of claim 9 wherein said second chipping head is staggered, relative to said first chipping head, in a downstream direction.
- 15 13. The active edger of claim 1 wherein said actively positionable gang saw is selectively actively laterally translatable and selectively actively rotatable so as to skew said gang saw relative to said saw box, and wherein saw guides corresponding to saws within said gang saw, and mounted in guiding engagement thereon, are selective rotatable about
20 corresponding generally vertical axes of rotation whereby rotating said guides skews said saws.
- 25 14. The active edger of claim 13 further comprising selective rotatable generally vertical shafts corresponding to said guides, and rigidly mounted thereto, selective rotation means for selectively rotating said shafts about their longitudinal axes to thereby rotate said guides and said saws.

15. The active edger of claim 14 wherein said selective rotation means are actuator driven worms and mating worm gears for selective rotation of said shafts.
- 5 16. The active edger of claim 1 or 8 wherein said first chipping head comprises V-shaped chipping head knives mounted thereon.
17. The active edger of claim 1 or 8 further comprising an anvil cooperating with said first chipping head so as to direct said sawn edgings into said chipping head.
- 10 18. The active edger of claim 17 wherein said anvil further comprises a side fence mounted laterally outward on said anvil so as to register with said sawn edging whereby said edging is forced back into said feed line.
- 15 19. An active edger comprising:
an actively positionable first end saw mounted on an arbor, said arbor mounted within a stationary saw box, said first end saw actively positionable relative to said saw box, said first end saw for receiving a workpiece, longitudinally conveyed in a downstream direction, longitudinally into said first end saw from an upstream position,
20 a first chipping head, mounted to a first side of said saw box adjacent and downstream of said first end saw said first chipping head selectively actively laterally positionable, so as to align with a first feed line corresponding to said first end saw, in unison with active positioning of said first end saw, relative to said workpiece, to thus actively correspond, in
25 a lateral chipping depth, to a lateral dimension of a sawn edging sawn from said workpiece, in chipping engagement with said sawn edging of said workpiece as said workpiece is conveyed from, once sawn by, said first end saw and longitudinally past said first chipping head so as to reduce said sawn edging into chips.

20. The active edger of claim 19 further comprising a second actively laterally positionable chipping head mounted to a second side of said saw box, opposite to said first side of said saw box.
- 5 21. The active edger of claim 20 wherein said second chipping head is downstream of a second end saw mounted on said arbor, actively laterally positionable so as to actively align with a second feed line corresponding to said second end saw, and so as to actively laterally position in unison with said second end saw.
- 10 22. The active edger of claim 21 wherein said second chipping head is adjacent said second end saw and mounted in generally opposed facing relation to said first chipping head.
23. The active edger of claim 20 wherein said second chipping head is staggered, relative to said first chipping head, in a downstream direction.
- 15 24. The active edger of claim 22 wherein said first and second chipping heads are aligned with toe-in relative to alignment of said first and second end saws.
25. The active edger of claim 23 wherein said first and second chipping heads are aligned with toe-in relative to alignment of said first and second end saws.
- 20 26. An active edger comprising:
- 25 a first end saw mounted on an arbor, said arbor mounted within an actively positionable saw box, said first end saw for receiving a workpiece, longitudinally conveyed in a downstream direction, longitudinally into said first end saw from an upstream position, said saw box actively positionable by selective lateral translation and selective rotation relative to said longitudinal conveyance of said workpiece in said downstream direction, a

first chipping head, mounted to a first side of said saw box adjacent and downstream of a first end saw in said saw box, said first chipping head aligned with a first feed line corresponding to said first end saw, and actively positionable in unison with said first end saw, relative to said workpiece, to thus actively correspond, in a lateral chipping depth, to a lateral dimension of a sawn edging sawn from said workpiece, in chipping engagement with said sawn edging of said workpiece as said workpiece is conveyed from, once sawn by, said first end saw and longitudinally past said first chipping head so as to reduce said sawn edging into chips.

5
10 27. The active edger of claim 26 further comprising a second actively laterally positionable chipping head mounted to a second side of said saw box, opposite to said first side of said saw box.

15 28. The active edger of claim 27 wherein said second chipping head is downstream of a second end saw mounted on said arbor actively laterally positionable so as to actively align with a second feed line corresponding to said second end saw, and so onto actively laterally position in unison with said second end saw.

20 29. The active edger of claim 28 wherein said second chipping head is adjacent said second end saw and mounted in generally opposed facing relation to said first chipping head.

30. The active edger of claim 27 wherein said second chipping head is staggered, relative to said first chipping head, in a downstream direction.

25 31. The active edger of claim 19 wherein said actively positionable first end saw is selectively actively laterally translatable and selectively actively rotatable so as to skew said first end saw relative to said saw box, and wherein saw guides corresponding to first end saw, and

mounted in guiding engagement thereon, are selectively rotatable about corresponding generally vertical axes of rotation whereby rotating said guides skews said first end saw.

5 32. The active edger of claim 31 further comprising selective rotatable generally vertical shafts corresponding to said guides, and rigidly mounted thereto, selective rotation means for selectively rotating said shafts about their longitudinal axes to thereby rotate said guides and said saws.

10 33. The active edger of claim 32 wherein said selective rotation means are actuator driven worms and mating worm gears for selective rotation of said shafts.

34. The active edger of claim 19 or 26 wherein said first chipping head comprises V-shaped chipping head knives mounted thereon.

15 35. The active edger of claim 19 or 26 further comprising an anvil cooperating with said first chipping head so as to direct said sawn edgings into said chipping head.

20 36. The active edger of claim 35 wherein said anvil further comprises a side fence mounted laterally outward on said anvil so as to register with said sawn edging whereby said edging is forced back into said feed line.

25 37. The active edger of claim 1, 8, 19 or 26 further comprising means for cantilevering said workpiece, once sawn into a sawn workpiece and said sawn edging, over a gap in a workpiece conveyor, said gap downstream of said active edger, said cantilever means for cantilevered supporting of only said sawn workpiece whereby said sawn edging is unsupported over said gap as said sawn workpiece is conveyed over said gap by said workpiece conveyor.

FIG. 1

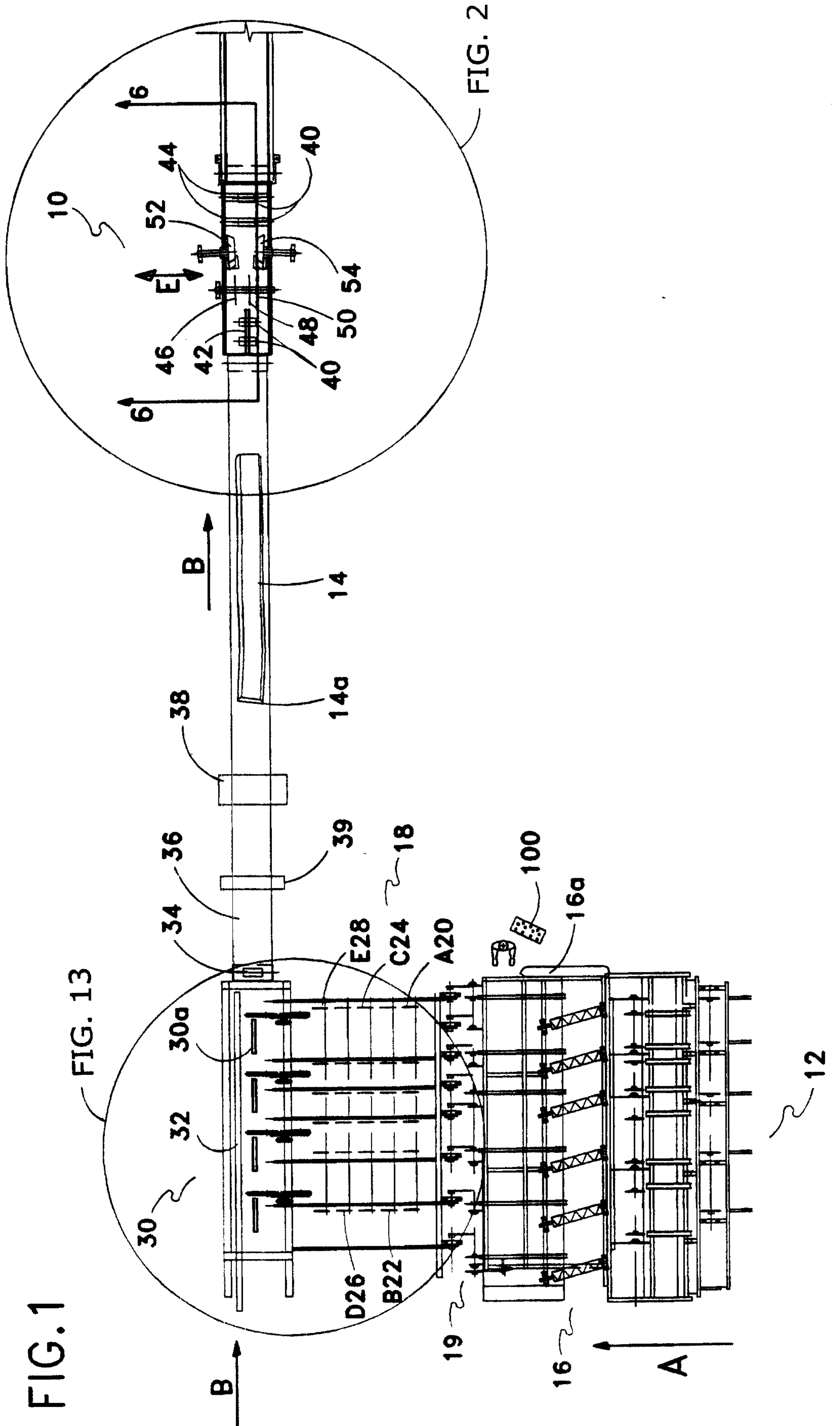


FIG. 2

FIG. 13

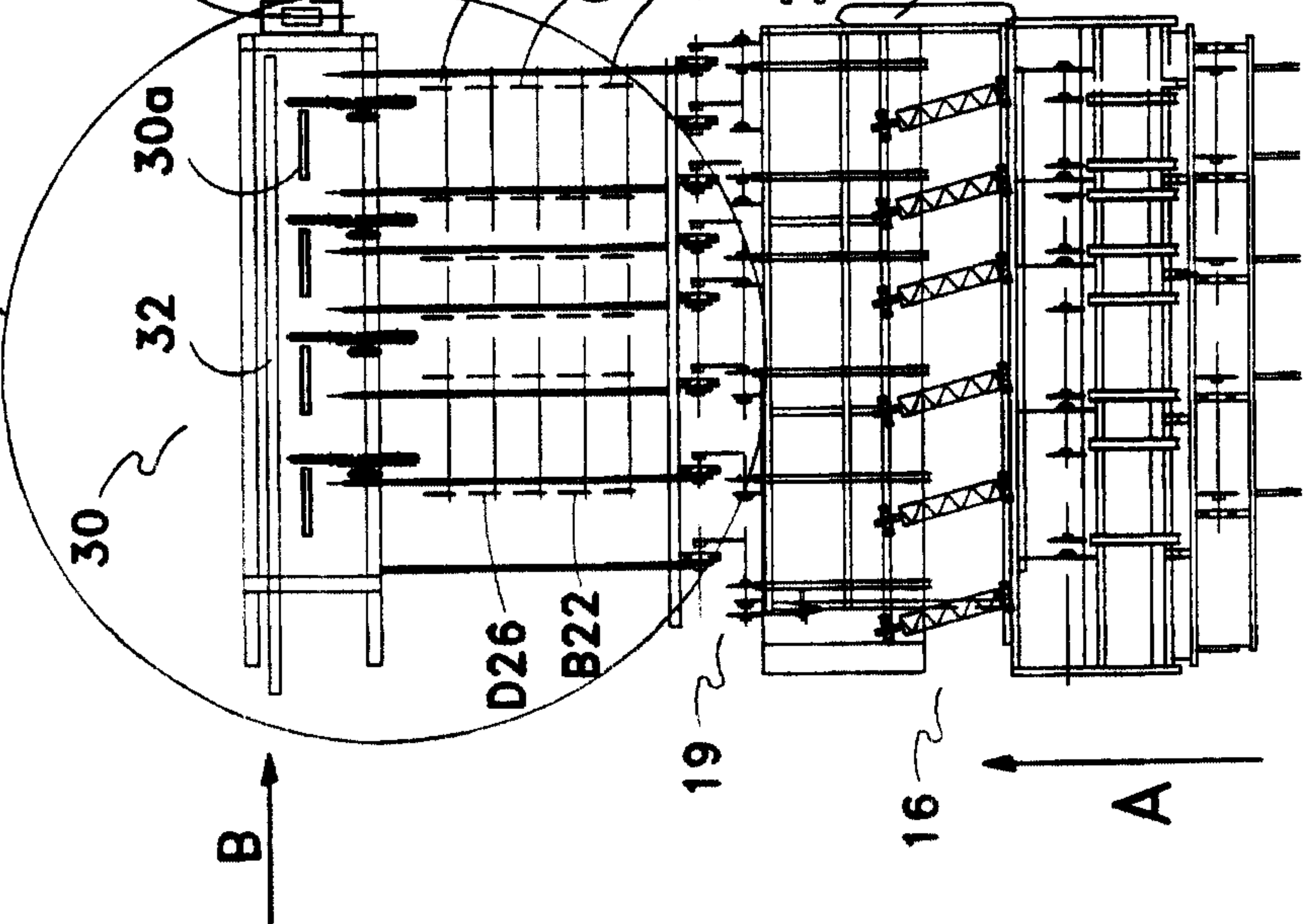


FIG. 2

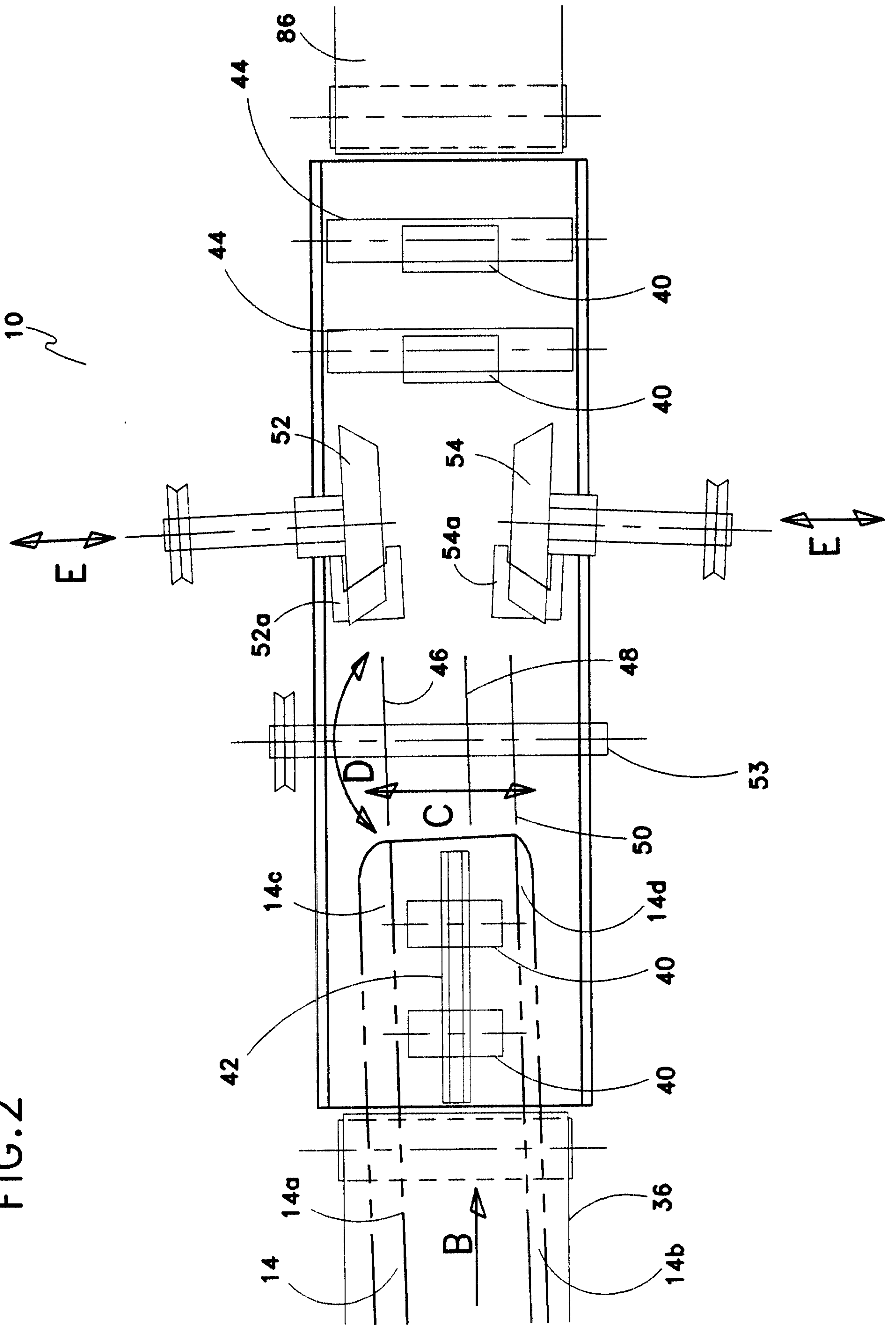


FIG. 3

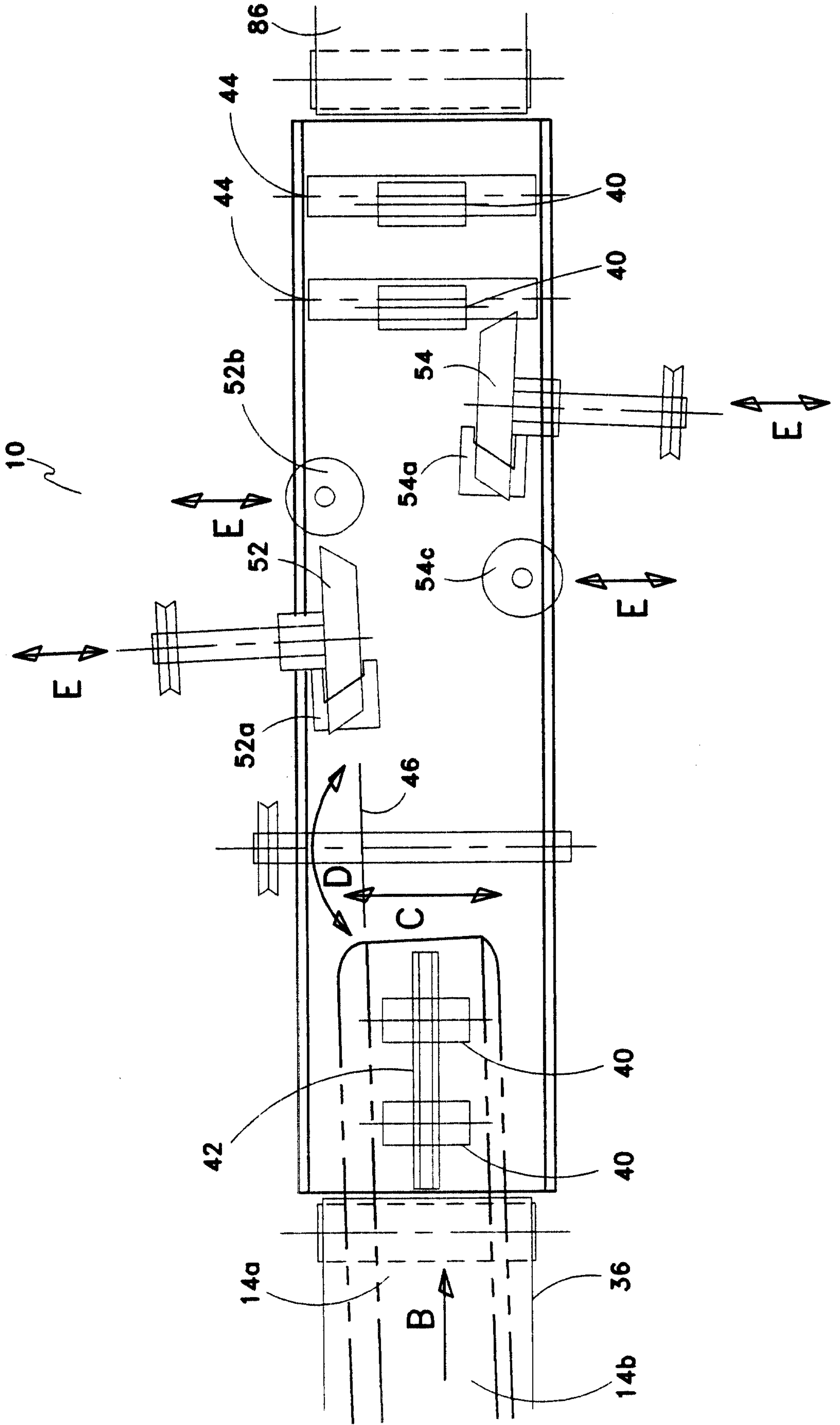


FIG.4

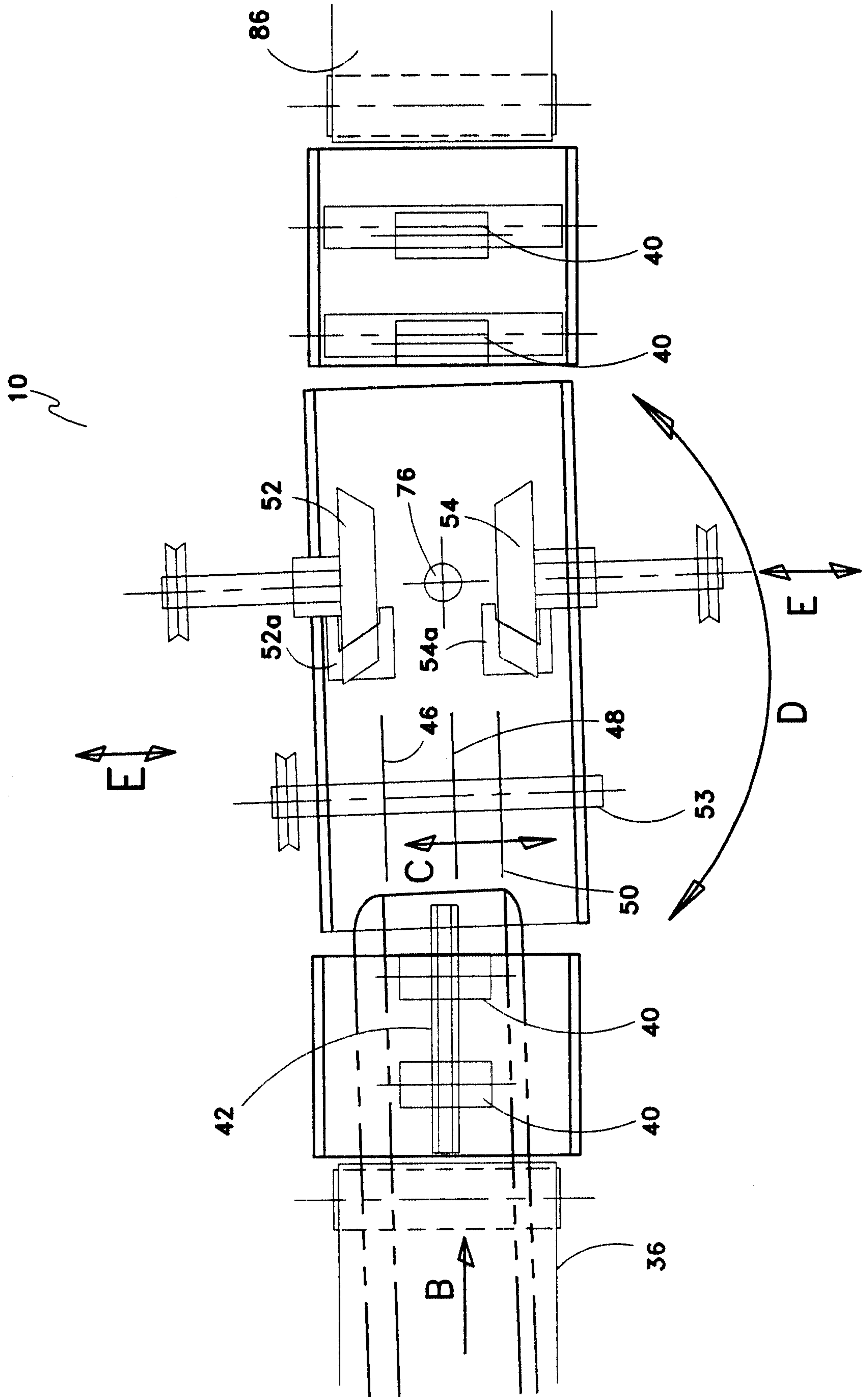


FIG. 5

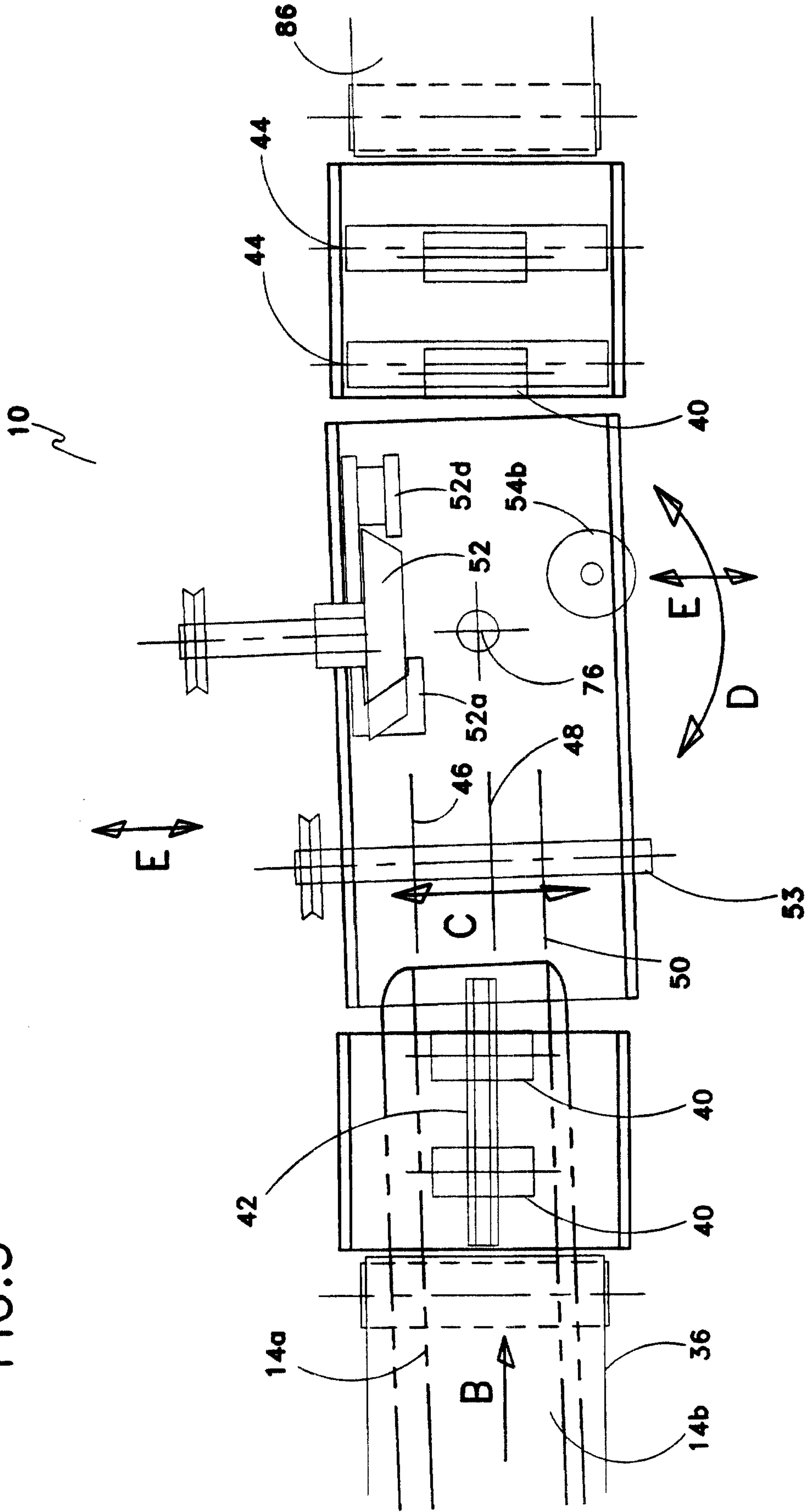


FIG. 6

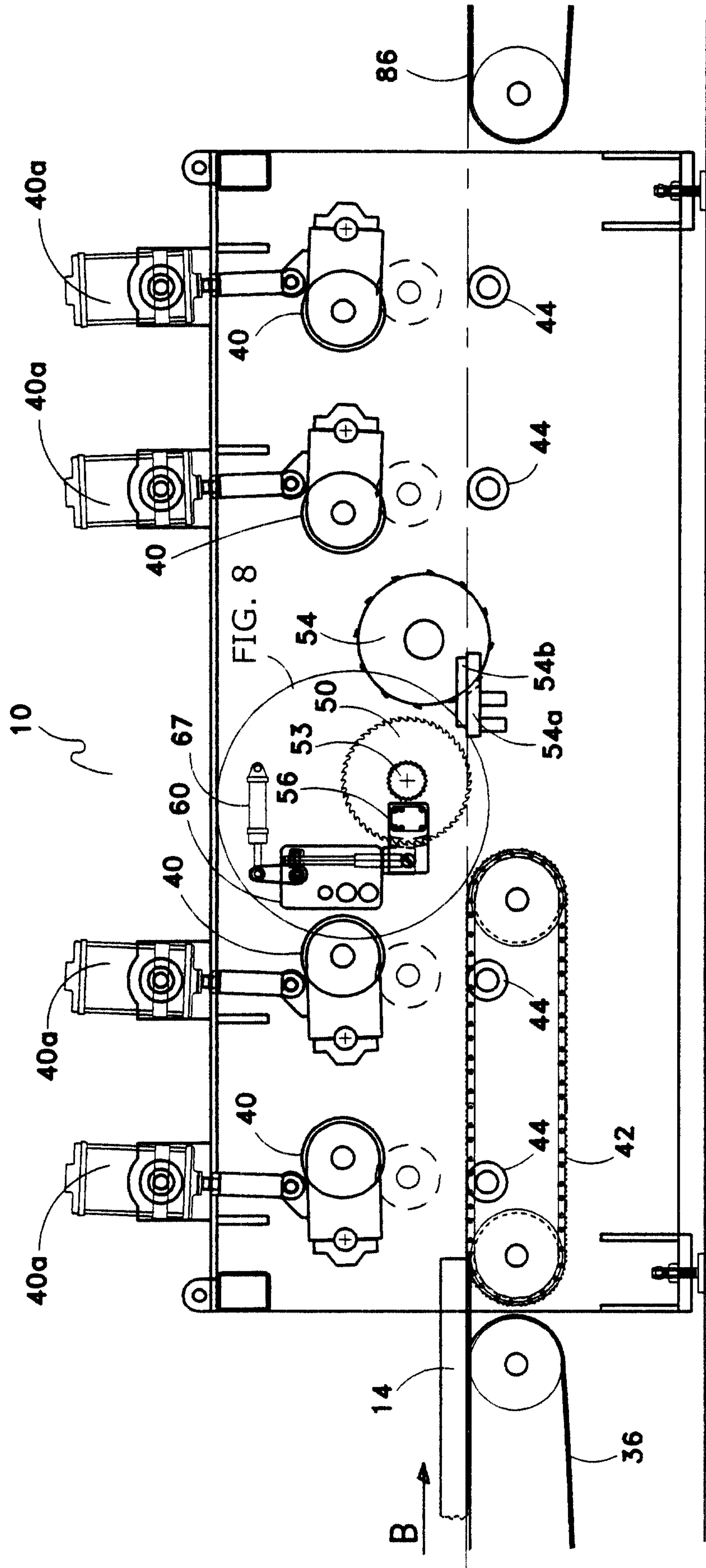


FIG.7

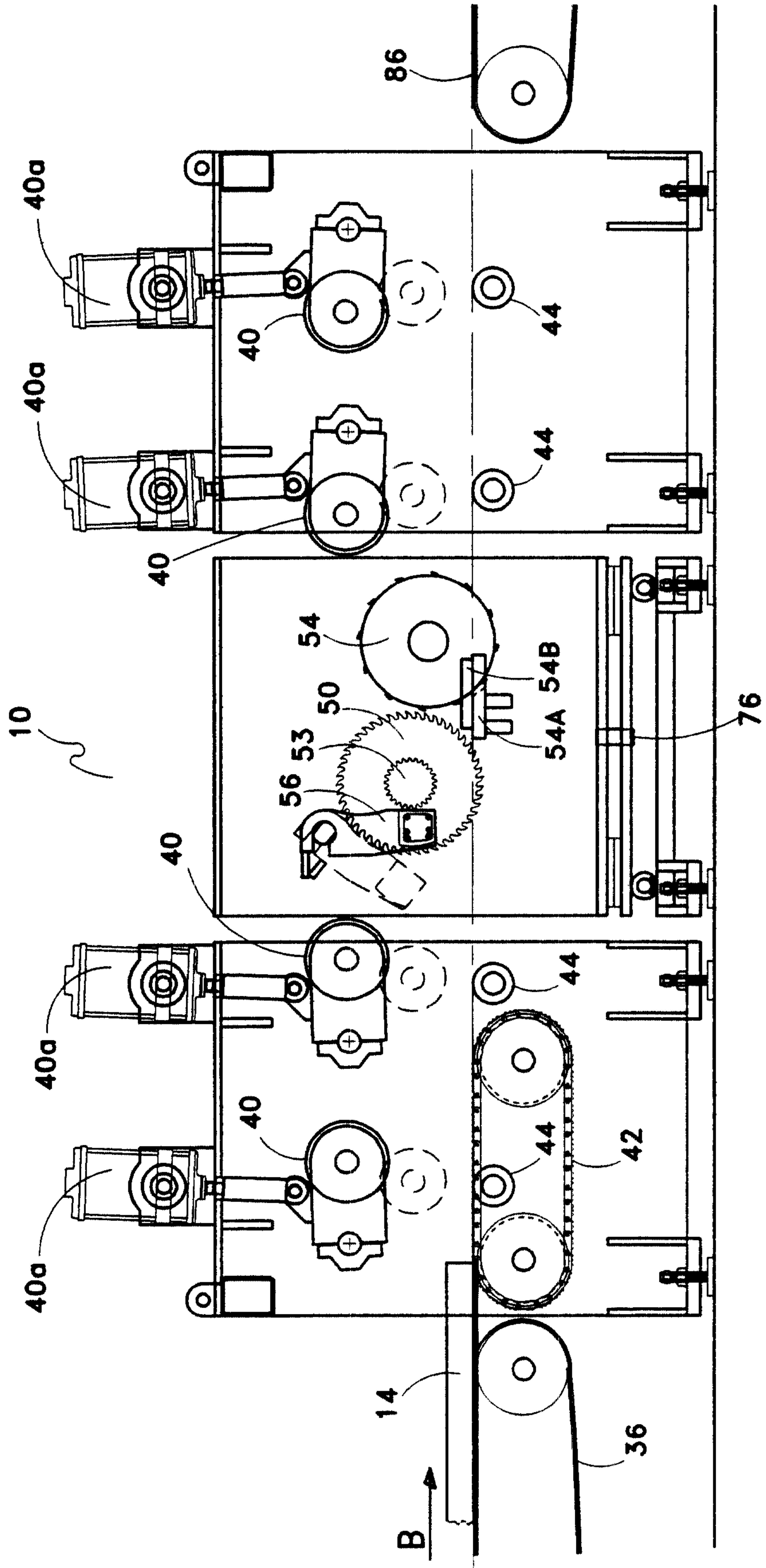


FIG. 8

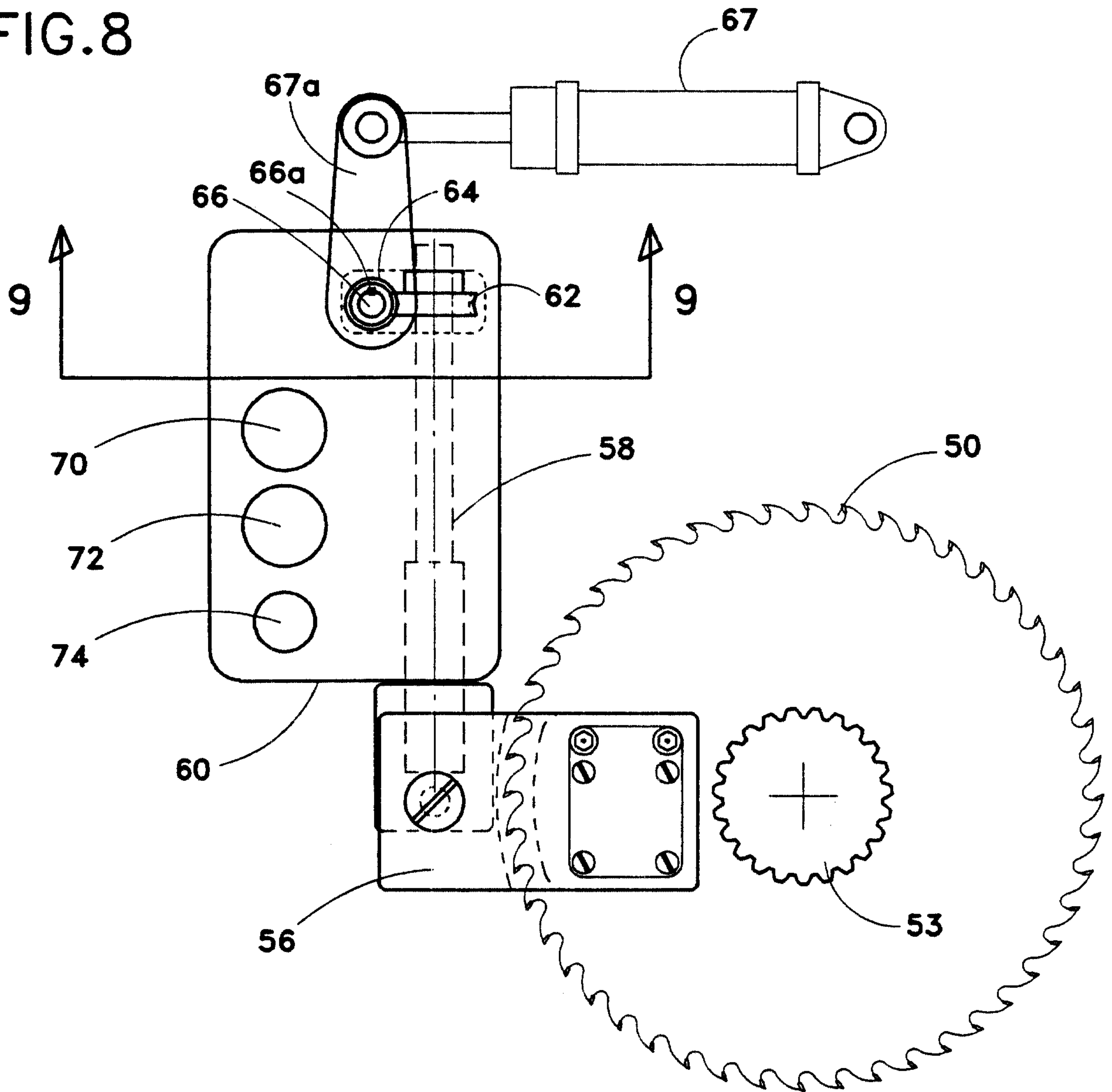


FIG. 9

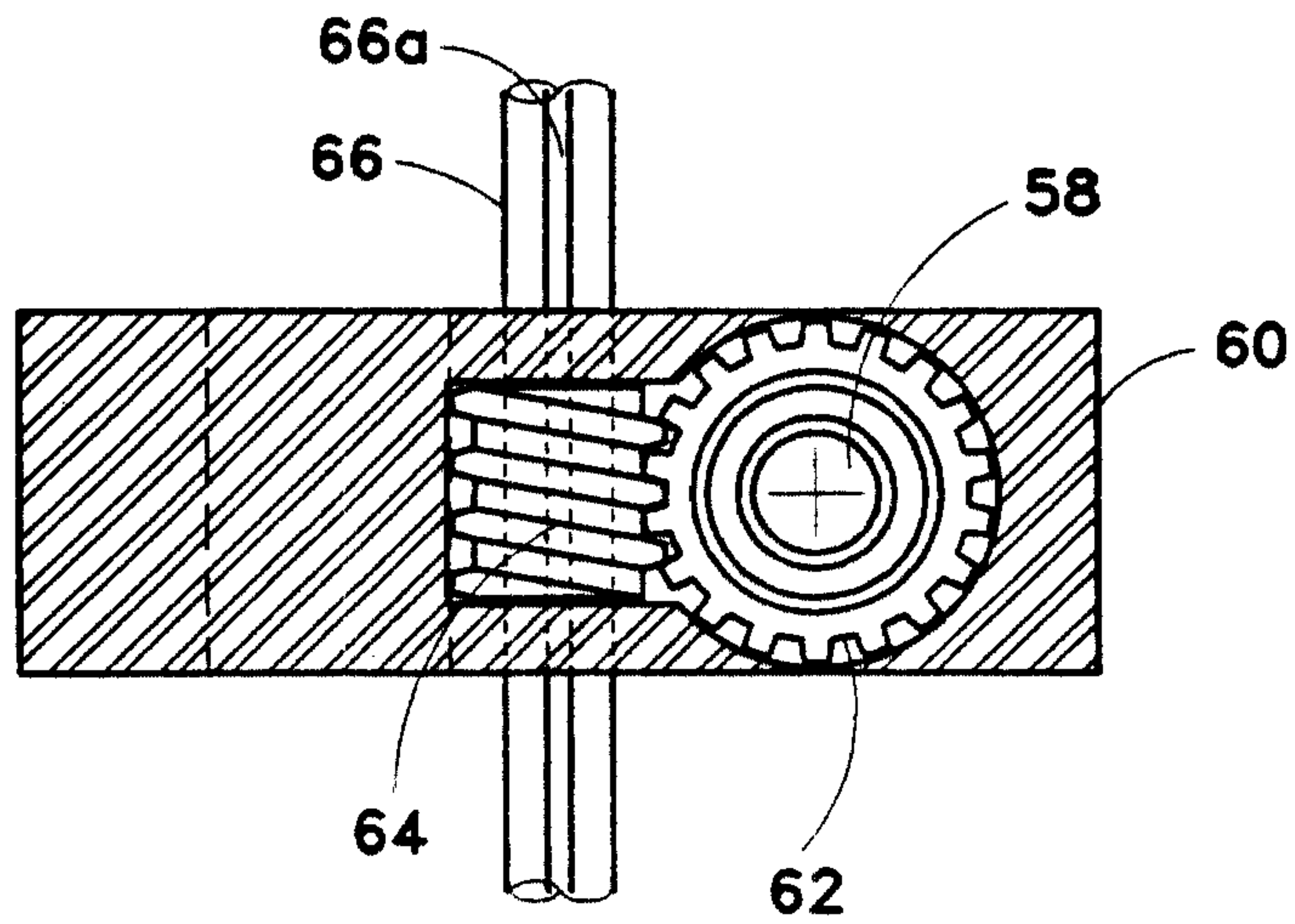


FIG. 10

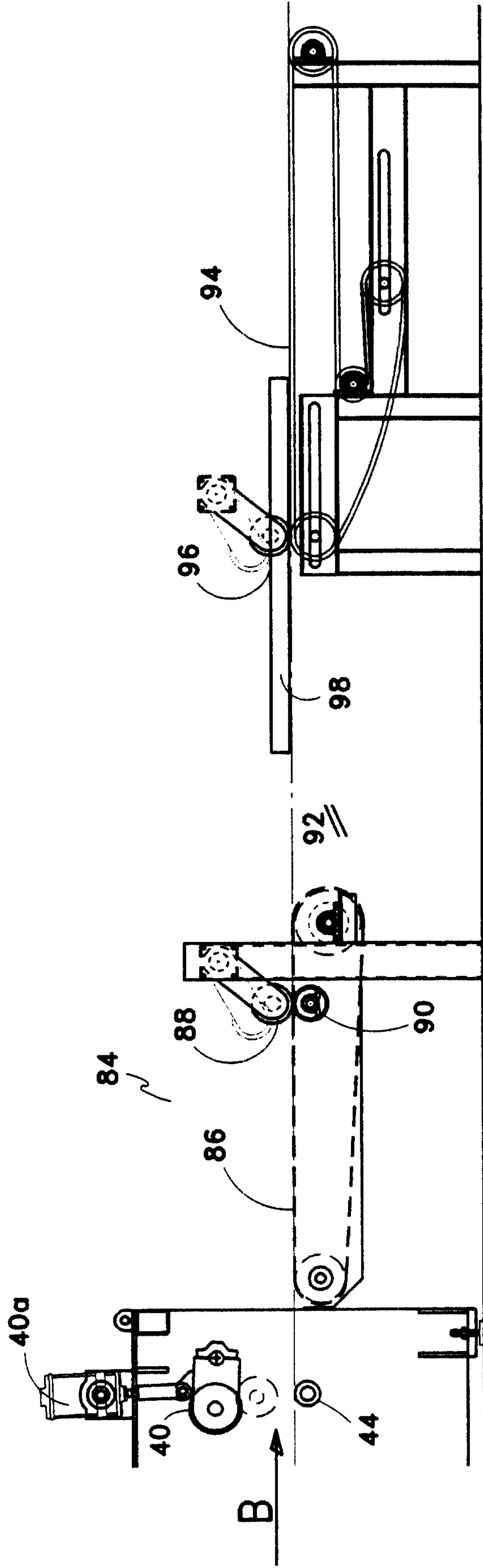


FIG. 11

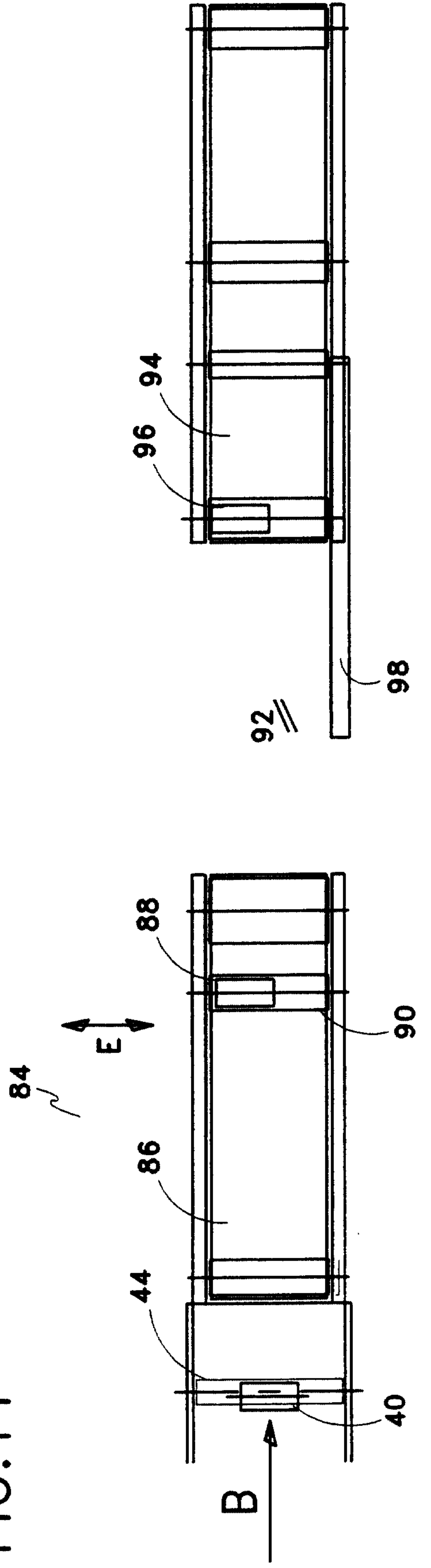


FIG. 12

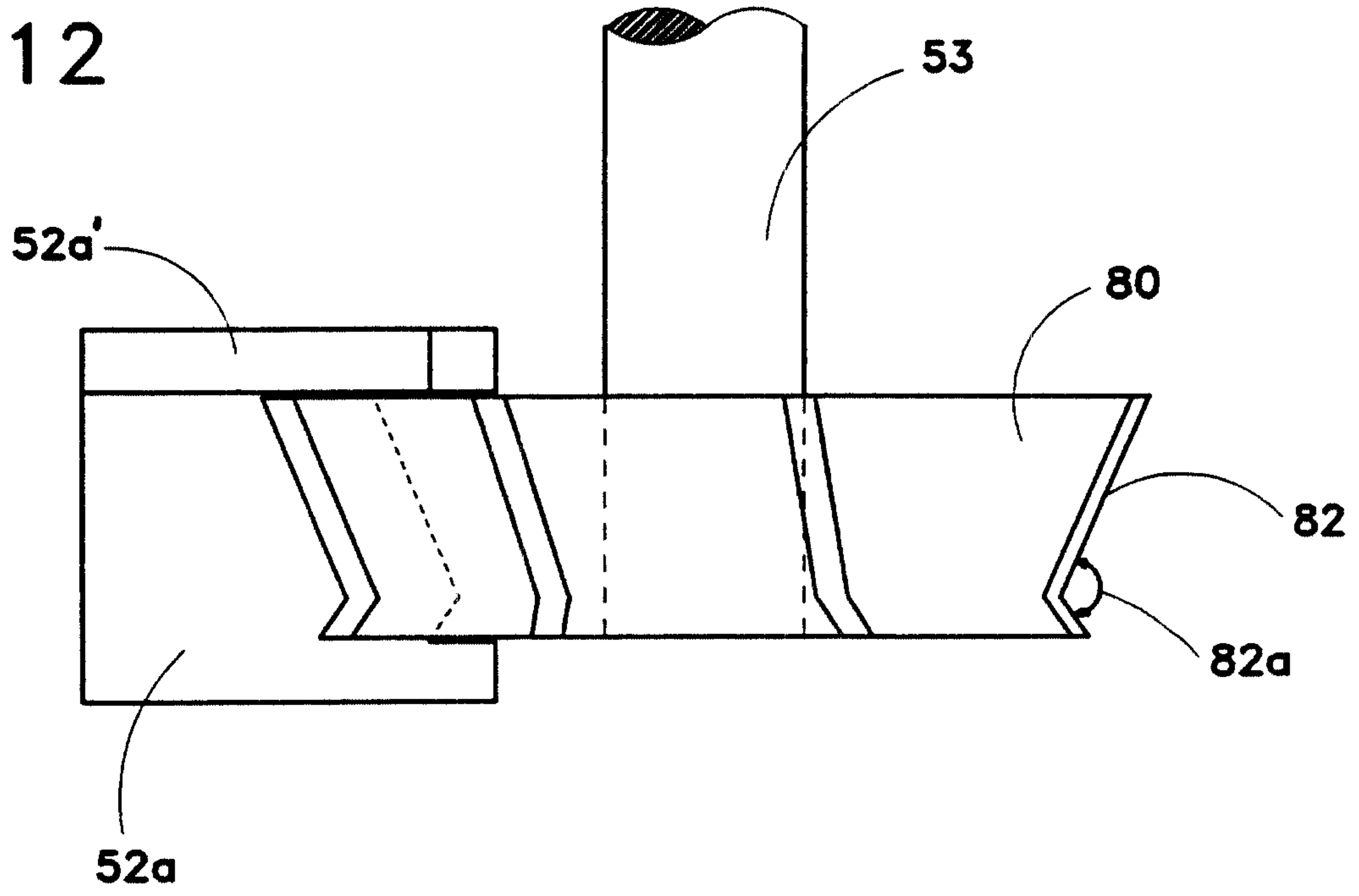
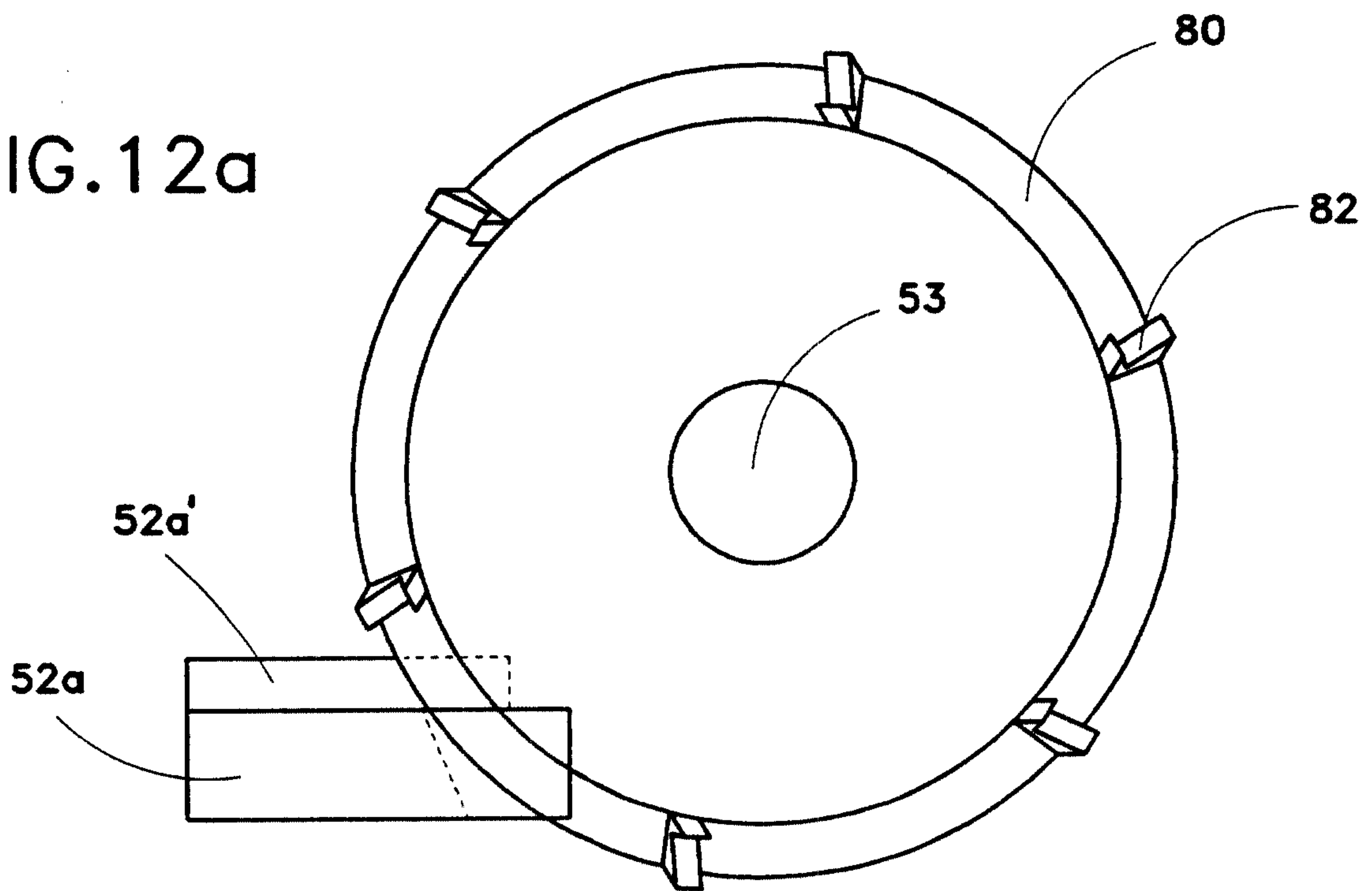


FIG. 12a



10

FIG. 13

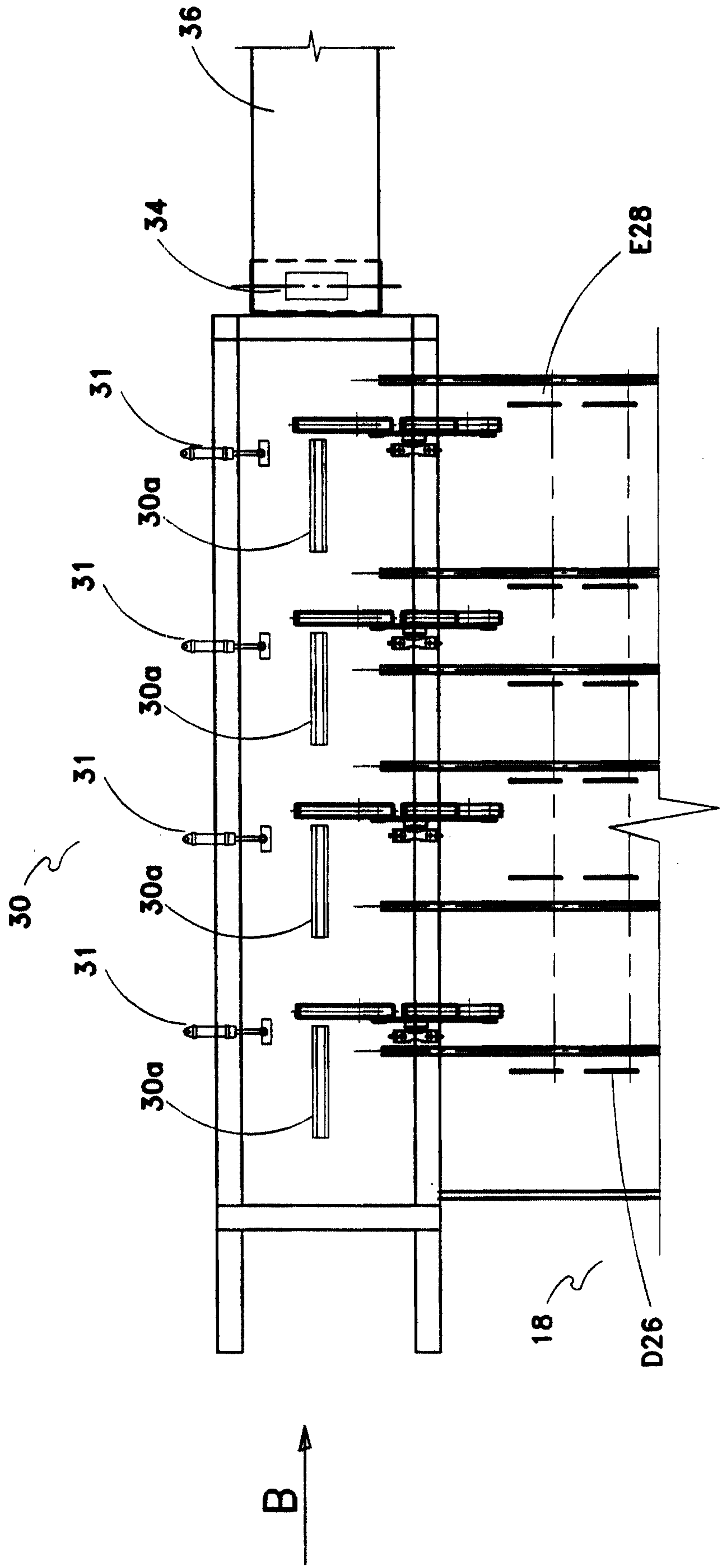


FIG.14

