



US00D547219S

(12) **United States Design Patent**
Kajimoto et al.

(10) **Patent No.:** **US D547,219 S**

(45) **Date of Patent:** **** Jul. 24, 2007**

(54) **BODY COMPOSITION METER**

(75) Inventors: **Hiroshi Kajimoto**, Tokyo (JP);
Tatsutoshi Kobayakawa, Tokyo (JP)

(73) Assignee: **Tanita Corporation**, Tokyo (JP)

(**) Term: **14 Years**

(21) Appl. No.: **29/258,672**

(22) Filed: **Apr. 26, 2006**

(30) **Foreign Application Priority Data**

Oct. 28, 2005 (JP) 2005-031646

(51) **LOC (8) Cl.** **10-04**

(52) **U.S. Cl.** **D10/92**

(58) **Field of Classification Search** D10/87-95;
177/4, 25.12-25.16, 177, 199, 210 R, 238-245,
177/DIG. 3, 262, 210 C, 30, 126-127; 324/692,
324/512, 515, 806; 600/506, 547

See application file for complete search history.

(56) **References Cited**

U.S. PATENT DOCUMENTS

- D503,899 S * 4/2005 Yamada et al. D10/92
- D520,893 S * 5/2006 Sato D10/94
- D524,672 S * 7/2006 Yamada et al. D10/92
- D525,547 S * 7/2006 Yamada et al. D10/92

- D531,534 S * 11/2006 Motomizu et al. D10/92
- D531,535 S * 11/2006 Yamada et al. D10/92
- D532,329 S * 11/2006 Yamada et al. D10/92

* cited by examiner

Primary Examiner—Antoine D. Davis

(74) *Attorney, Agent, or Firm*—McDermott Will & Emery LLP

(57) **CLAIM**

The ornamental design for a body composition meter, as shown and described.

DESCRIPTION

FIG. 1 is a front perspective view of the body composition meter showing the new design;

FIG. 2 is a front view of the body composition meter;

FIG. 3 is a rear view of the body composition meter;

FIG. 4 is a side view of the body composition meter;

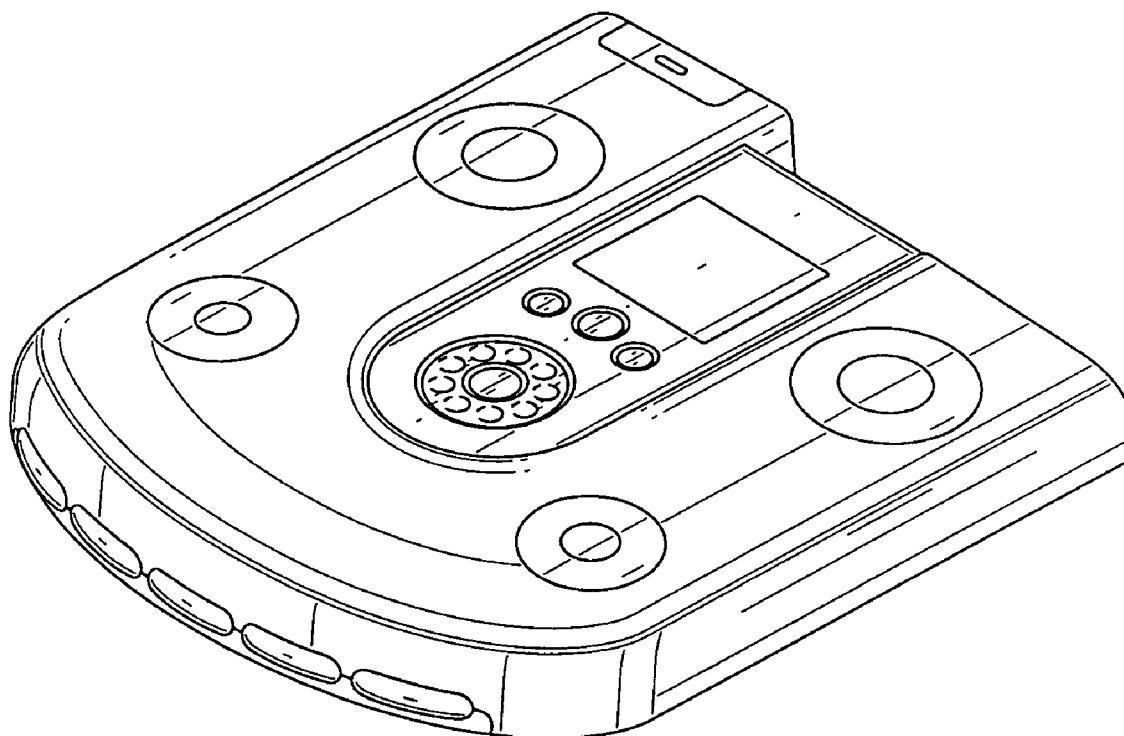
FIG. 5 is another side view of the body composition meter;

FIG. 6 is a top view of the body composition meter; and,

FIG. 7 is a bottom view of the body composition meter.

The broken line showing of various scale portions are included for the purpose of illustrating unclaimed subject matter and forms no part of the claimed design.

1 Claim, 5 Drawing Sheets



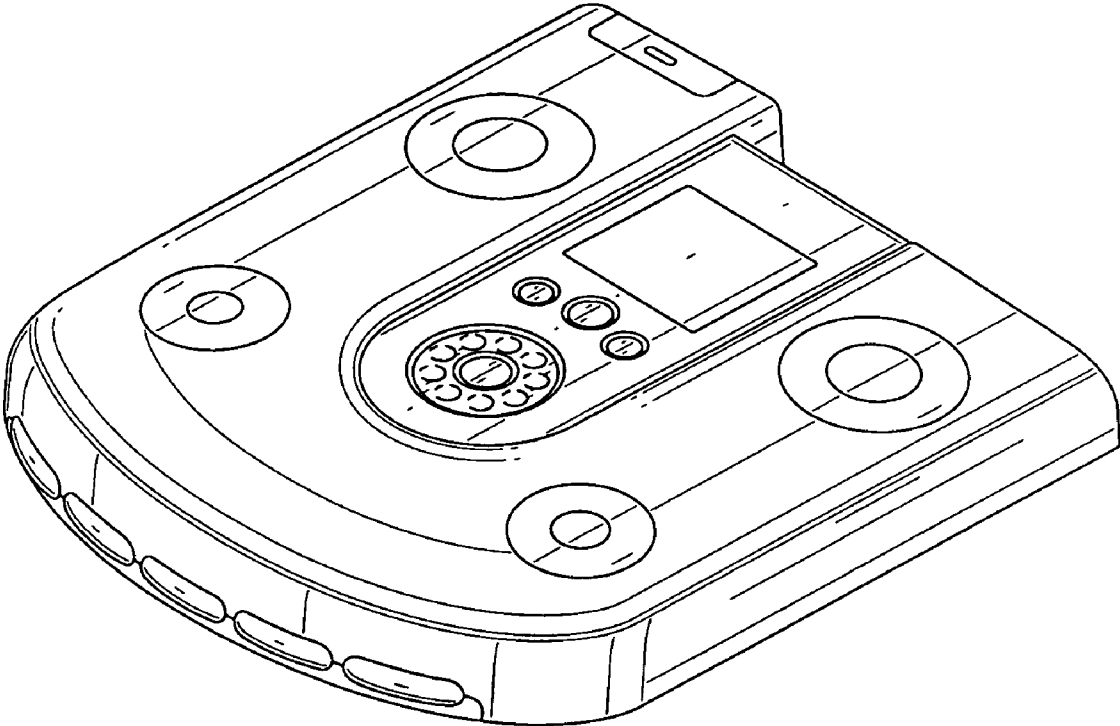


FIG. 1

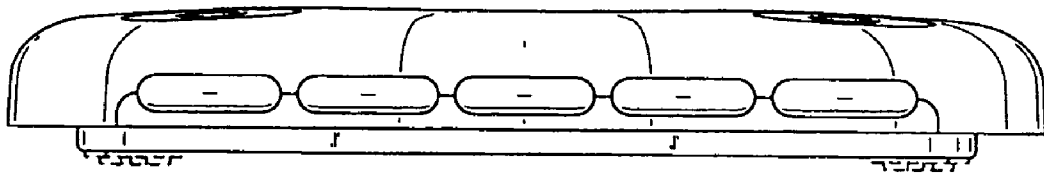


FIG. 2

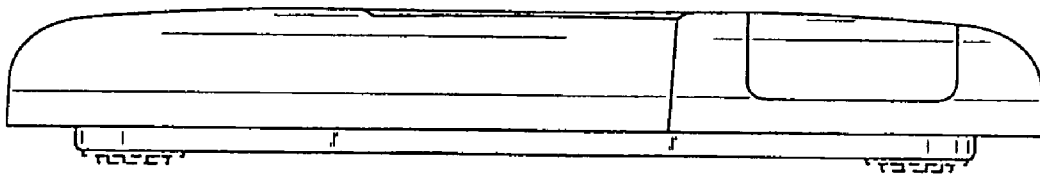


FIG. 3

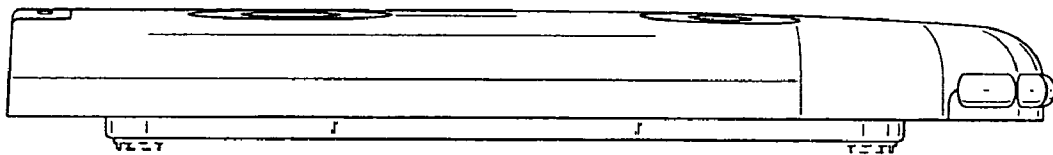


FIG. 4

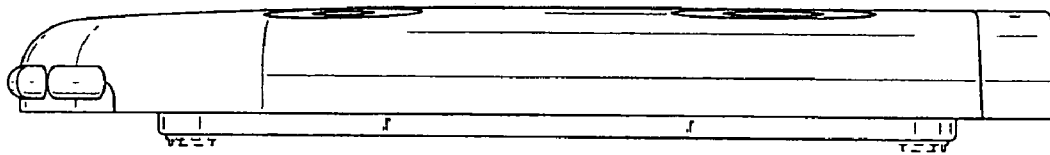


FIG. 5

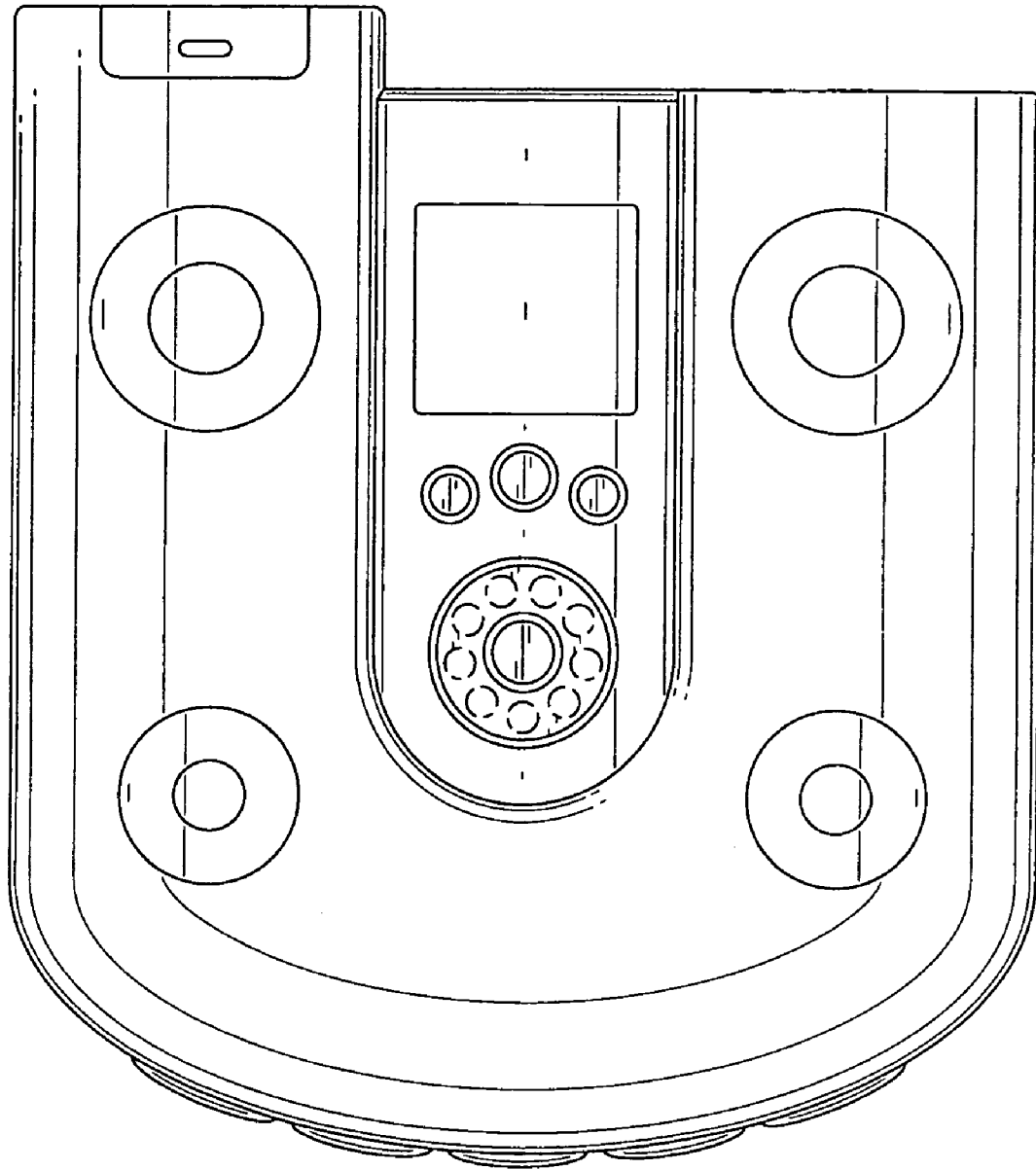


FIG. 6

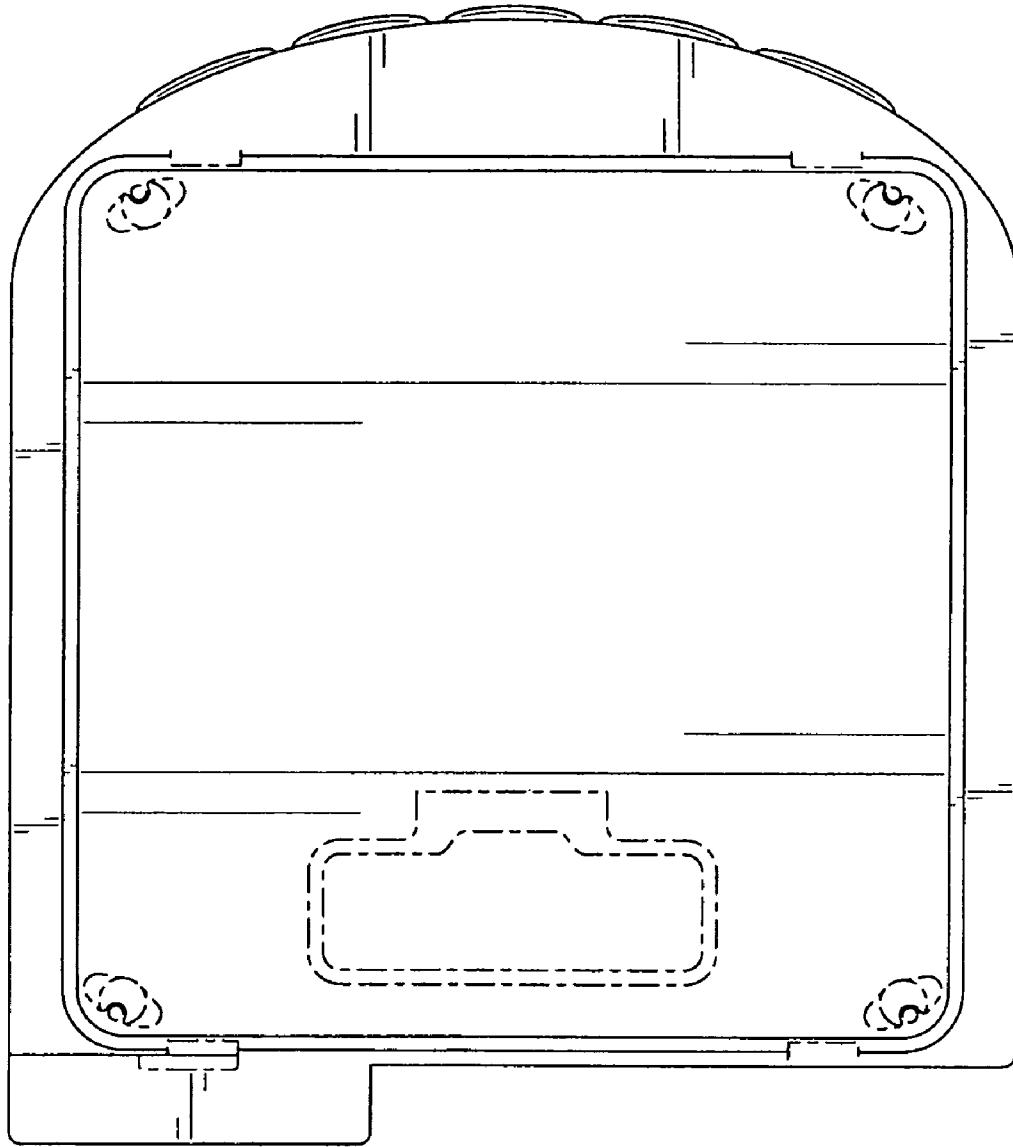


FIG. 7