



US00D780299S

(12) **United States Design Patent**
Novara et al.

(10) **Patent No.:** **US D780,299 S**

(45) **Date of Patent:** **** Feb. 28, 2017**

(54) **VANITY**

(71) Applicant: **Graff Faucets**, Milwaukee, WI (US)

(72) Inventors: **Alberto Novara**, Seregno (IT);
Ambrogio Matteo Nespoli, Seregno (IT)

(73) Assignee: **Graff Faucets**, Milwaukee, WI (US)

(**) Term: **15 Years**

(21) Appl. No.: **29/542,591**

(22) Filed: **Oct. 15, 2015**

(51) **LOC (10) Cl.** **23-02**

(52) **U.S. Cl.**
USPC **D23/286**

(58) **Field of Classification Search**
USPC D23/270–273, 285–287, 293.1, 303, 308;
D6/300, 306, 655, 655.1, 656, 664.1, 668,
D6/709.22, 709
CPC E03C 1/00; E03C 1/14; E03C 1/16;
E03C 1/18
See application file for complete search history.

(56) **References Cited**

U.S. PATENT DOCUMENTS

D141,620 S * 6/1945 Stanitz D23/271
D370,796 S * 6/1996 Beck D6/655.1

D531,822 S * 11/2006 Massaud D6/310
D585,118 S * 1/2009 Ziemann D23/286
D619,683 S * 7/2010 Bouroullec D23/284
D727,477 S * 4/2015 Mayer D23/286
D727,478 S * 4/2015 Mayer D23/286
D727,995 S * 4/2015 Vilcovsky D6/310
D728,761 S * 5/2015 Mayer D23/286

* cited by examiner

Primary Examiner — Robert Delehanty

(74) *Attorney, Agent, or Firm* — Boyle Fredrickson, S.C.

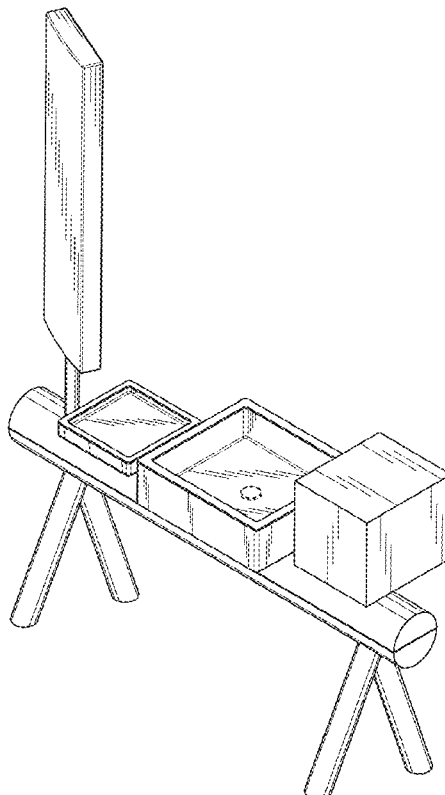
(57) **CLAIM**

The ornamental design for a vanity, as shown and described.

DESCRIPTION

FIG. 1 is a perspective view of a vanity incorporating a first embodiment of our new design, viewed from in front of, above, and from the right side of the vanity;
FIG. 2 is a perspective view of a vanity incorporating a first embodiment of our new design, viewed from in front of, above, and from the left side of the vanity;
FIG. 3 is a right-side elevation view thereof;
FIG. 4 is a left-side elevation view thereof
FIG. 5 is a front elevation view thereof;
FIG. 6 is a rear elevation view thereof;
FIG. 7 is a top plan elevation view thereof; and,
FIG. 8 is a bottom plan view thereof.
The broken lines in FIGS. 1-8 are for illustrative purposes only and form no part of the claimed design.

1 Claim, 8 Drawing Sheets



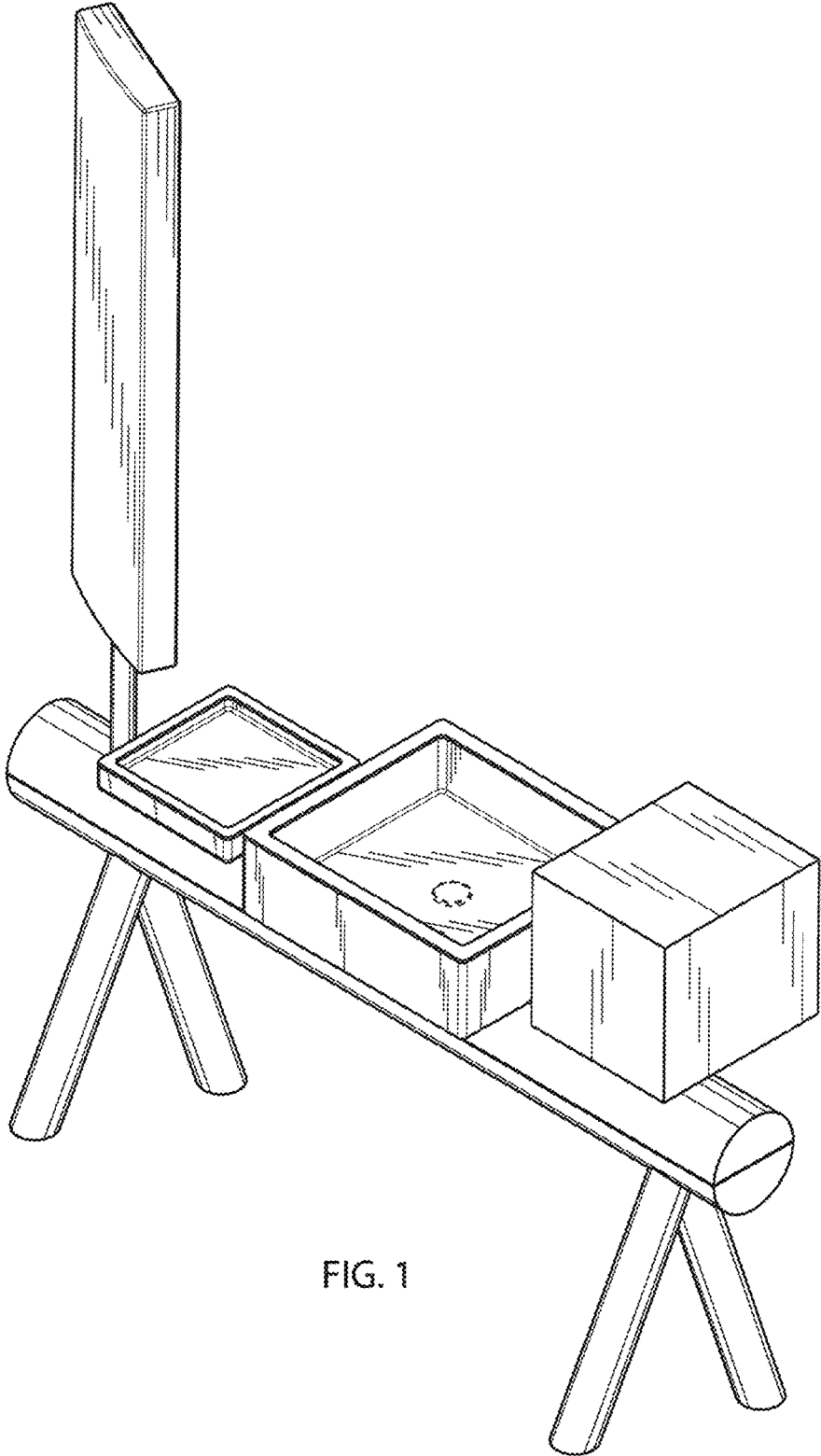


FIG. 1

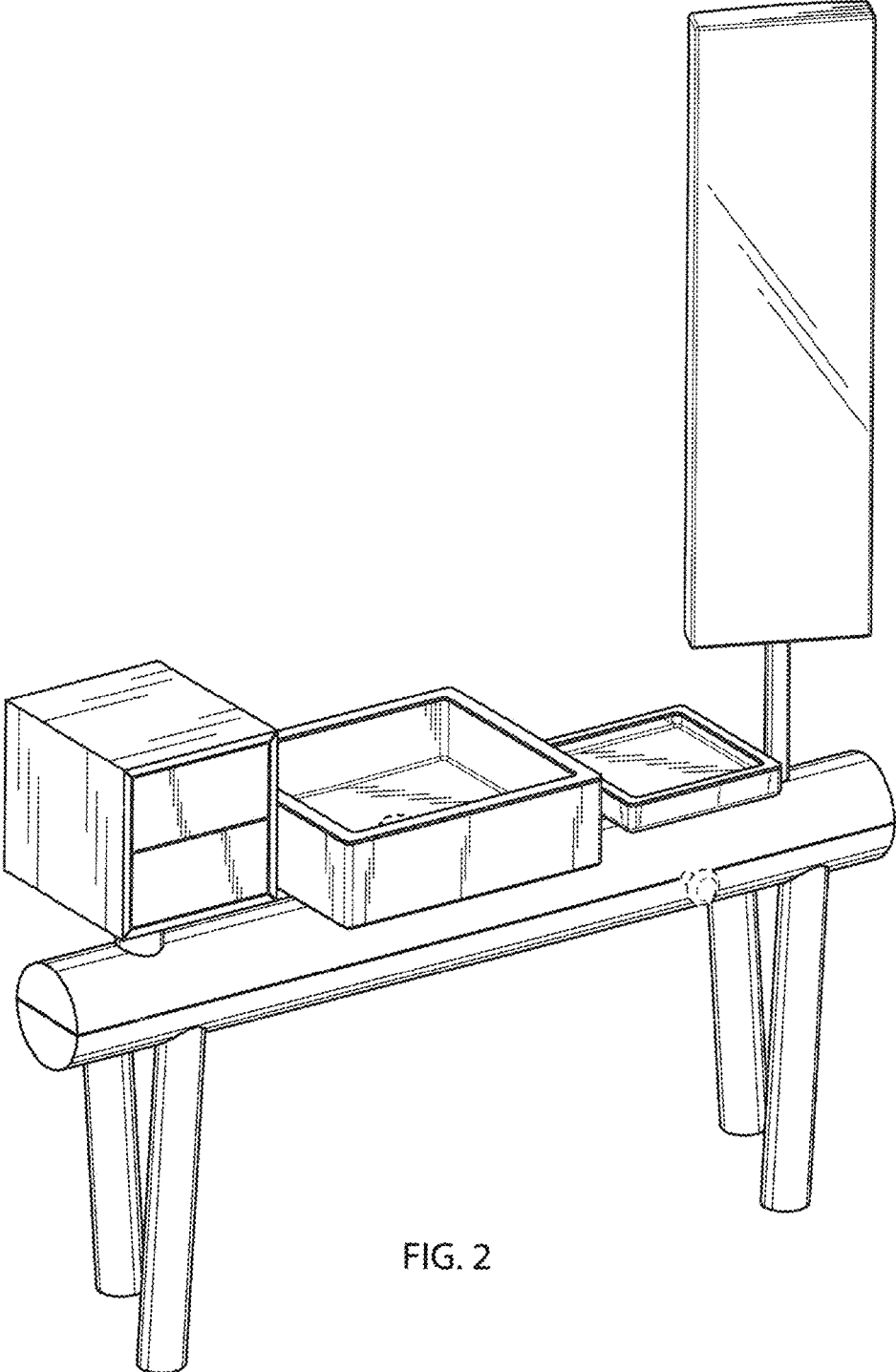


FIG. 2

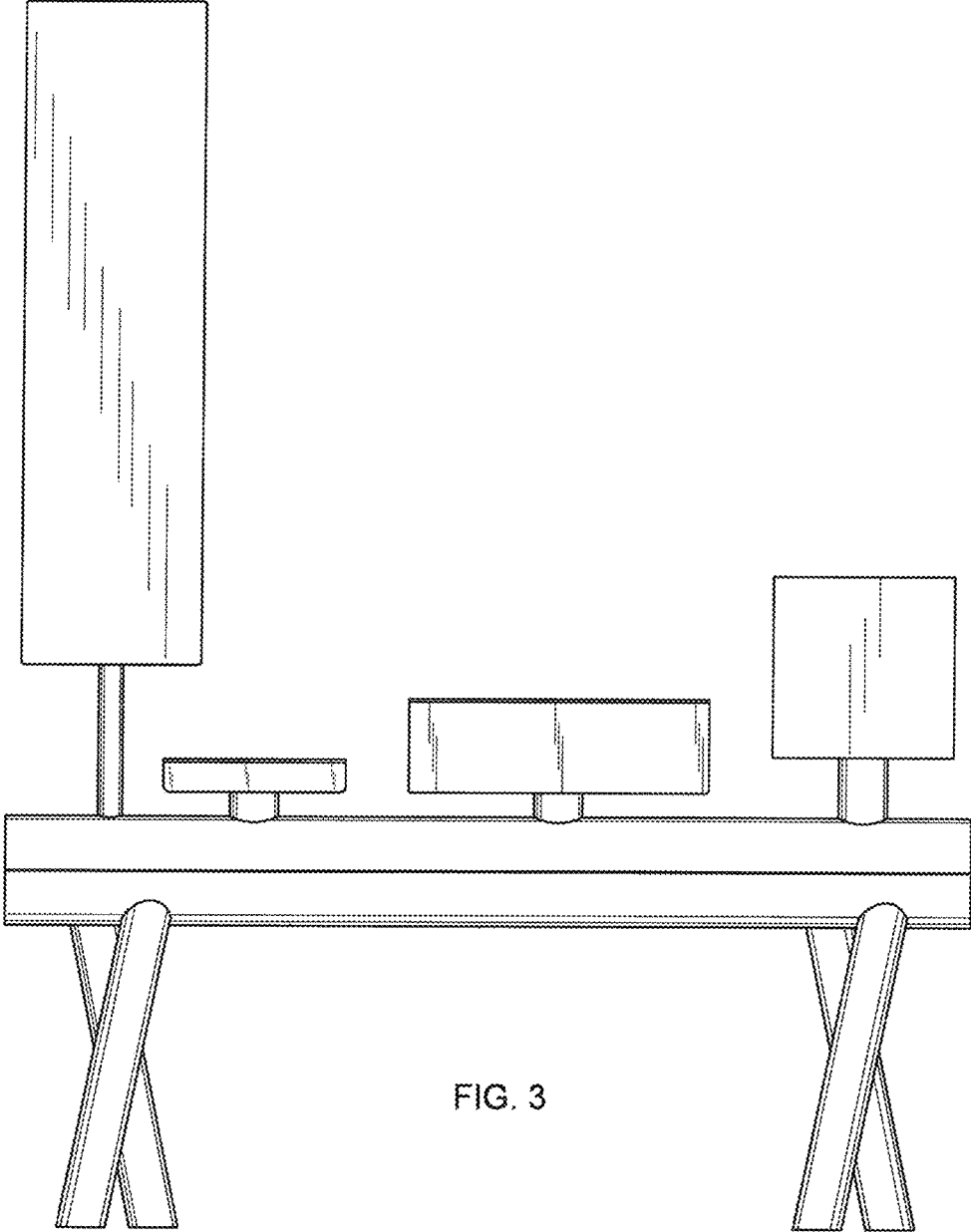
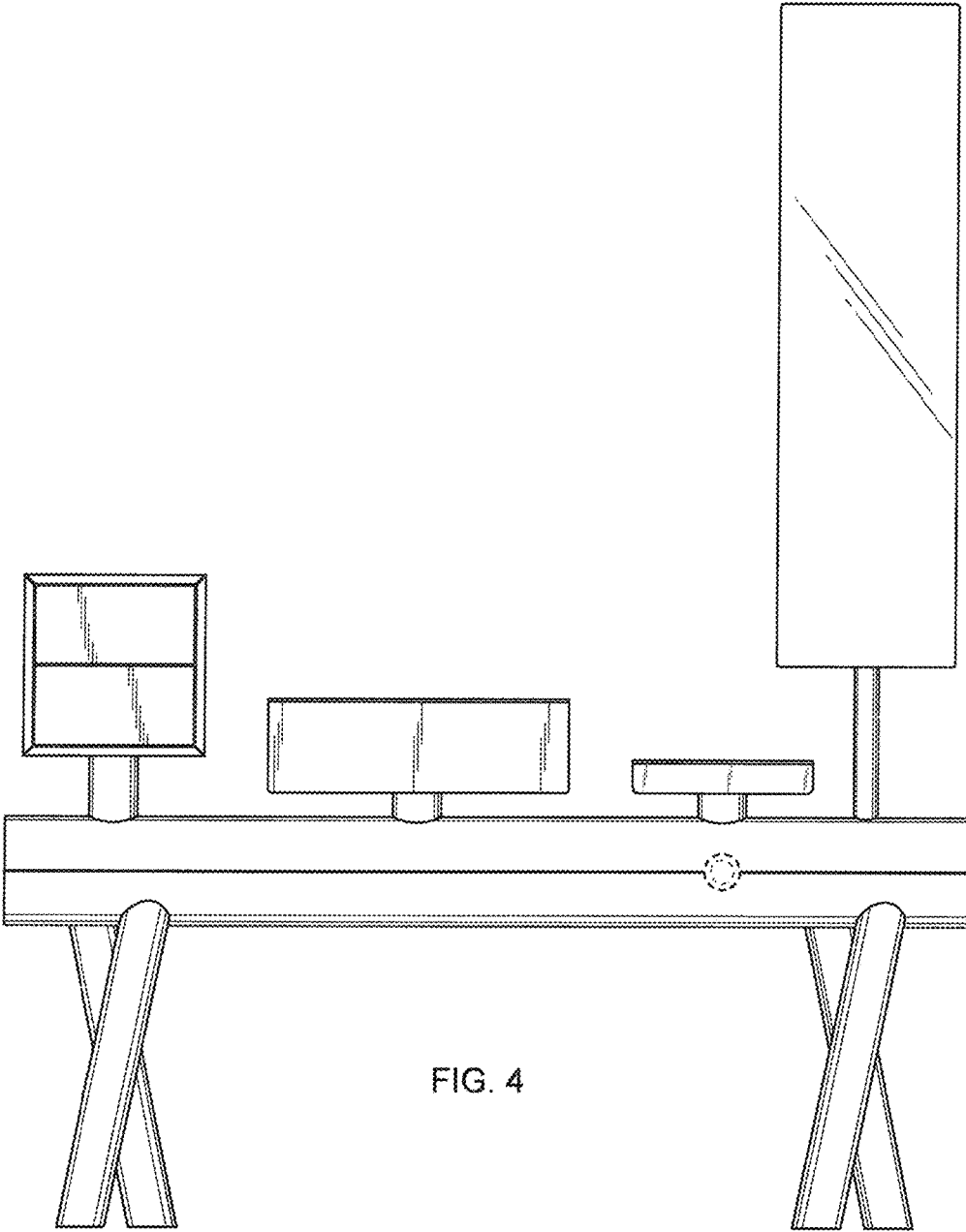


FIG. 3



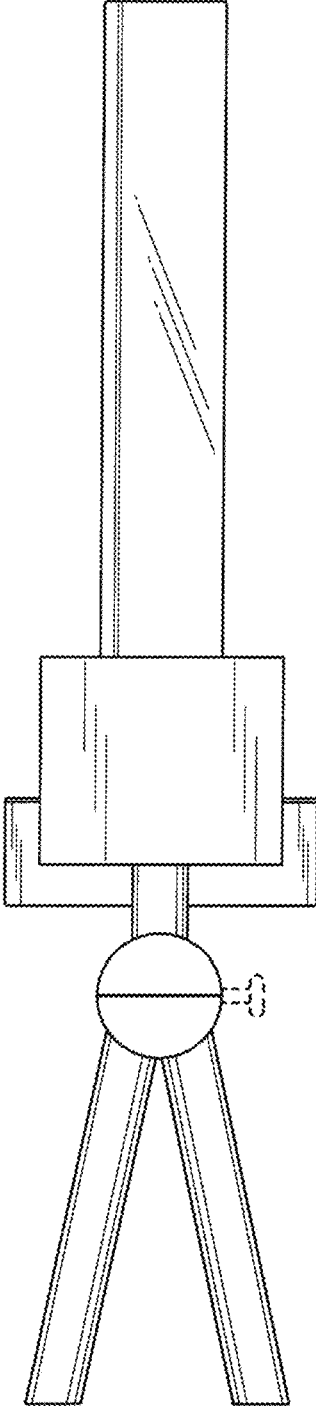


FIG. 5

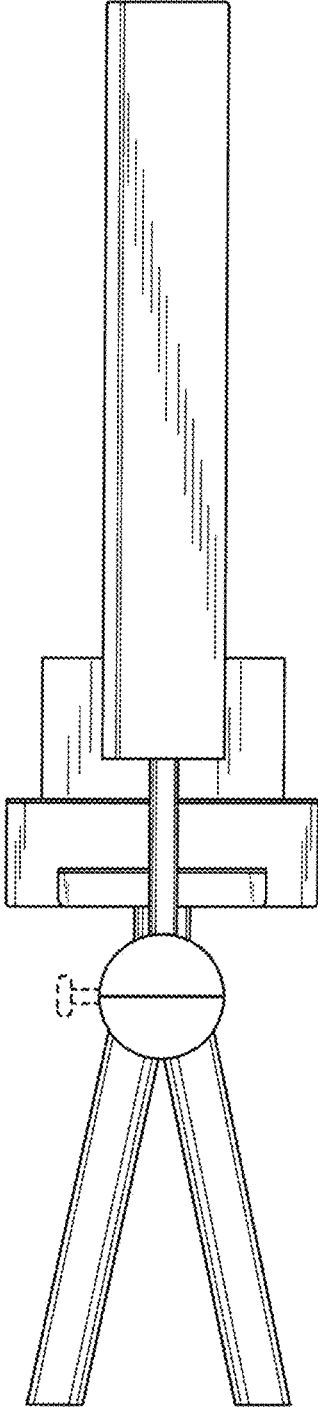


FIG. 6

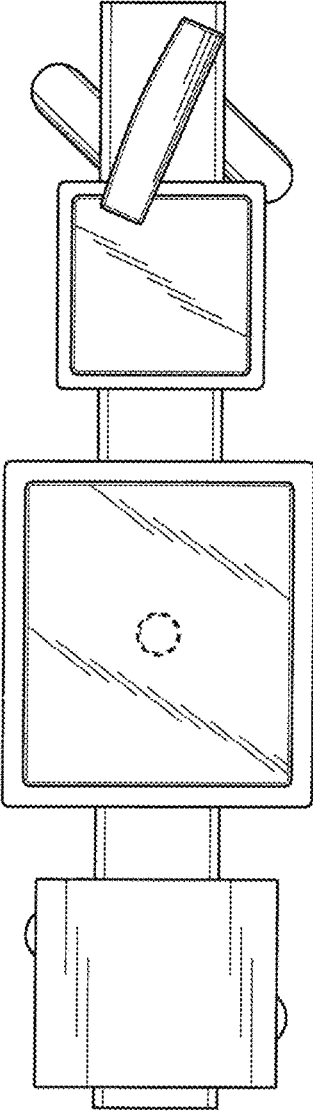


FIG. 7

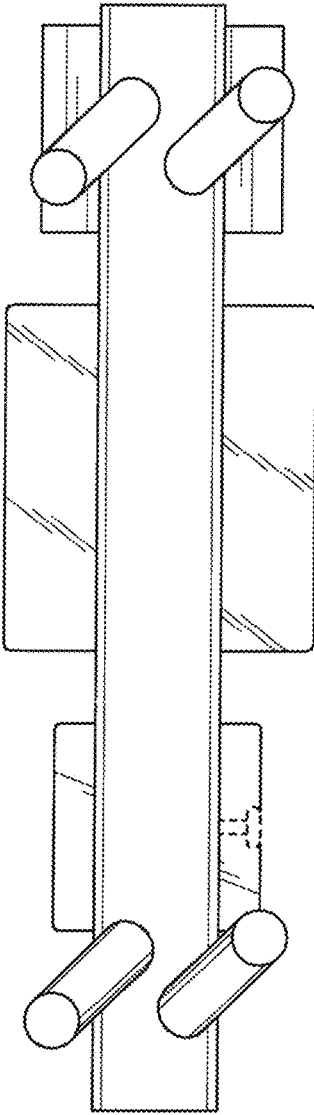


FIG. 8