



- (51) International Patent Classification: *B21D 51/26* (2006.01)
- (21) International Application Number: PCT/US2012/070979
- (22) International Filing Date: 20 December 2012 (20.12.2012)
- (25) Filing Language: English
- (26) Publication Language: English
- (30) Priority Data: 61/579,196 22 December 2011 (22.12.2011) US
- (71) Applicant: **ALCOA INC.** [US/US]; Alcoa Corporate Center, 201 Isabella Street, Pittsburgh, Pennsylvania 15212-5858 (US).
- (72) Inventors: **FEDUSA, Anthony J.**; 273 White Oak Drive, Lower Burrell, Pennsylvania 15068 (US). **MYERS, Gary L.**; 313 Primrose Drive, Sarver, Pennsylvania 16055 (US). **HUNKER, Gary L.**; 1805 Wilson Avenue, North Apollo, Pennsylvania 15673 (US). **DICK, Robert E.**; 21 Park Drive, Cheswick, Pennsylvania 15024 (US).
- (74) Agents: **SANKUS, Mauri Aven** et al.; Greenberg Traurig, LLP, c/o Alcoa Technical Center, 100 Technical Drive, Alcoa Center, Pennsylvania 15069-0001 (US).
- (81) Designated States (unless otherwise indicated, for every kind of national protection available): AE, AG, AL, AM, AO, AT, AU, AZ, BA, BB, BG, BH, BN, BR, BW, BY, BZ, CA, CH, CL, CN, CO, CR, CU, CZ, DE, DK, DM, DO, DZ, EC, EE, EG, ES, FI, GB, GD, GE, GH, GM, GT, HN, HR, HU, ID, IL, IN, IS, JP, KE, KG, KM, KN, KP, KR, KZ, LA, LC, LK, LR, LS, LT, LU, LY, MA, MD, ME, MG, MK, MN, MW, MX, MY, MZ, NA, NG, NI, NO, NZ, OM, PA, PE, PG, PH, PL, PT, QA, RO, RS, RU, RW, SC, SD, SE, SG, SK, SL, SM, ST, SV, SY, TH, TJ, TM, TN, TR, TT, TZ, UA, UG, US, UZ, VC, VN, ZA, ZM, ZW.
- (84) Designated States (unless otherwise indicated, for every kind of regional protection available): ARIPO (BW, GH, GM, KE, LR, LS, MW, MZ, NA, RW, SD, SL, SZ, TZ, UG, ZM, ZW), Eurasian (AM, AZ, BY, KG, KZ, RU, TJ, TM), European (AL, AT, BE, BG, CH, CY, CZ, DE, DK, EE, ES, FI, FR, GB, GR, HR, HU, IE, IS, IT, LT, LU, LV, MC, MK, MT, NL, NO, PL, PT, RO, RS, SE, SI, SK, SM,

[Continued on next page]

(54) Title: METHOD FOR EXPANDING THE DIAMETER OF A METAL CONTAINER

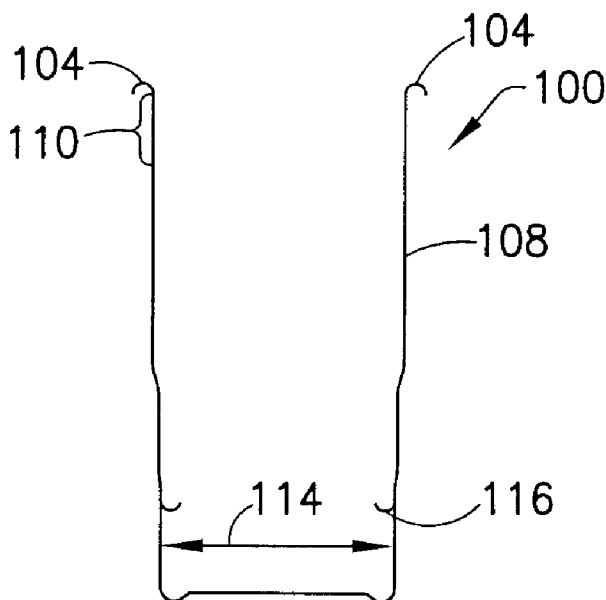


FIG. 2

(57) Abstract: A method of forming a metal container comprises: curling outward a top edge of the metal container to form a curl and expanding a diameter of a first section of the metal container to form a first expanded section; wherein at least part of the first expanded section is below the curl. In some embodiments, the steps of curling outward a top edge of the metal container to form a curl and expanding a diameter of a first section of the metal container to form a first expanded section are performed in a single stroke of a single die. In some embodiments, the step of expanding a diameter of a first section of the metal container to form an expanded section is performed after the step of curling outward a top edge of the metal container to form a curl.





TR), OAPI (BF, BJ, CF, CG, CI, CM, GA, GN, GQ, GW, ML, MR, NE, SN, TD, TG).

Published:

Declarations under Rule 4.17:

- *as to applicant's entitlement to apply for and be granted a patent (Rule 4.17(ii))*
- *as to the applicant's entitlement to claim the priority of the earlier application (Rule 4.17(iii))*

- *with international search report (Art. 21(3))*
- *before the expiration of the time limit for amending the claims and to be republished in the event of receipt of amendments (Rule 48.2(h))*

(88) Date of publication of the international search report:

15 August 2013

INTERNATIONAL SEARCH REPORT

International application No
PCT/US2012/070979

A. CLASSIFICATION OF SUBJECT MATTER
INV. B21D51/26
ADD.

According to International Patent Classification (IPC) or to both national classification and IPC

B. FIELDS SEARCHED
Minimum documentation searched (classification system followed by classification symbols)
B21D

Documentation searched other than minimum documentation to the extent that such documents are included in the fields searched

Electronic data base consulted during the international search (name of data base and, where practicable, search terms used)
EPO-Internal, WPI Data

C. DOCUMENTS CONSIDERED TO BE RELEVANT

Category*	Citation of document, with indication, where appropriate, of the relevant passages	Relevant to claim No.
X	JP H03 161129 A (MAEDA SEISAKUSHO) 11 July 1991 (1991-07-11) figures 2,4,6 -----	1-14
X A	DE 30 41 001 A1 (WILHELM BENDER & SOEHNE BLECHW [DE]) 19 May 1982 (1982-05-19) claim 1; figures 1-4 -----	1-5,8-14 6,7
X A	US 6 442 991 B1 (ROJEK ARNALDO [BR]) 3 September 2002 (2002-09-03) figures 1-5 -----	1-5,8, 10-14 6,7
X A	US 4 102 168 A (BROOKES FREDERICK D ET AL) 25 July 1978 (1978-07-25) figures 1-3 -----	1-5,8-14 6,7

Further documents are listed in the continuation of Box C.

See patent family annex.

* Special categories of cited documents :

- "A" document defining the general state of the art which is not considered to be of particular relevance
- "E" earlier application or patent but published on or after the international filing date
- "L" document which may throw doubts on priority claim(s) or which is cited to establish the publication date of another citation or other special reason (as specified)
- "O" document referring to an oral disclosure, use, exhibition or other means
- "P" document published prior to the international filing date but later than the priority date claimed

- "T" later document published after the international filing date or priority date and not in conflict with the application but cited to understand the principle or theory underlying the invention
- "X" document of particular relevance; the claimed invention cannot be considered novel or cannot be considered to involve an inventive step when the document is taken alone
- "Y" document of particular relevance; the claimed invention cannot be considered to involve an inventive step when the document is combined with one or more other such documents, such combination being obvious to a person skilled in the art
- "&" document member of the same patent family

Date of the actual completion of the international search 19 June 2013	Date of mailing of the international search report 27/06/2013
---	--

Name and mailing address of the ISA/ European Patent Office, P.B. 5818 Patentlaan 2 NL - 2280 HV Rijswijk Tel. (+31-70) 340-2040, Fax: (+31-70) 340-3016	Authorized officer Vinci, Vincenzo
--	---

INTERNATIONAL SEARCH REPORT

Information on patent family members

International application No

PCT/US2012/070979

Patent document cited in search report	Publication date	Patent family member(s)	Publication date
JP H03161129	A	11-07-1991	CN 1051893 A JP H03161129 A
			05-06-1991 11-07-1991

DE 3041001	A1	19-05-1982	NONE

US 6442991	B1	03-09-2002	AR 026247 A1 BR 9905474 A CA 2314416 A1 DE 10040173 A1 ES 2189604 A1 FR 2800308 A1 GB 2355682 A IT MI20002133 A1 JP 2001179375 A MX PA00010492 A US 6442991 B1 UY 26413 A1
			05-02-2003 12-06-2001 27-04-2001 10-05-2001 01-07-2003 04-05-2001 02-05-2001 03-04-2002 03-07-2001 09-07-2002 03-09-2002 31-07-2001

US 4102168	A	25-07-1978	AU 2385077 A CA 1083891 A1 DE 2717808 A1 GB 1578142 A IT 1113565 B JP S52130471 A NL 7704463 A US 4102168 A
			05-10-1978 19-08-1980 03-11-1977 05-11-1980 20-01-1986 01-11-1977 25-10-1977 25-07-1978
