

(19) World Intellectual Property Organization
International Bureau



(43) International Publication Date
9 November 2006 (09.11.2006)

PCT

(10) International Publication Number
WO 2006/116832 A1

(51) International Patent Classification:
B42D 15/00 (2006.01) *B65D 65/28* (2006.01)
B65D 17/28 (2006.01) *B65D 65/38* (2006.01)

[CA/CA]; 3 McMahon Place, Winnipeg, Manitoba R3W 1H1 (CA).

(21) International Application Number:
PCT/CA2005/000660

(74) Agent: **BATTISON WILLIAMS DUPUIS**; P.O. Box 28006, 1795 Henderson Highway, Winnipeg, Manitoba R2G 0P1 (CA).

(22) International Filing Date: 2 May 2005 (02.05.2005)

(81) Designated States (unless otherwise indicated, for every kind of national protection available): AE, AG, AL, AM, AT, AU, AZ, BA, BB, BG, BR, BW, BY, BZ, CA, CH, CN, CO, CR, CU, CZ, DE, DK, DM, DZ, EC, EE, EG, ES, FI, GB, GD, GE, GH, GM, HR, HU, ID, IL, IN, IS, JP, KE, KG, KM, KP, KR, KZ, LC, LK, LR, LS, LT, LU, LV, MA, MD, MG, MK, MN, MW, MX, MZ, NA, NI, NO, NZ, OM, PG, PH, PL, PT, RO, RU, SC, SD, SE, SG, SK, SL, SM, SY, TJ, TM, TN, TR, TT, TZ, UA, UG, US, UZ, VC, VN, YU, ZA, ZM, ZW.

(25) Filing Language: English

(26) Publication Language: English

(71) Applicant (for all designated States except US): **POLLARD BANKNOTE LIMITED PARTNERSHIP** [CA/CA]; 1499 Buffalo Place, Winnipeg, Manitoba R3T 1L7 (CA).

(72) Inventors; and

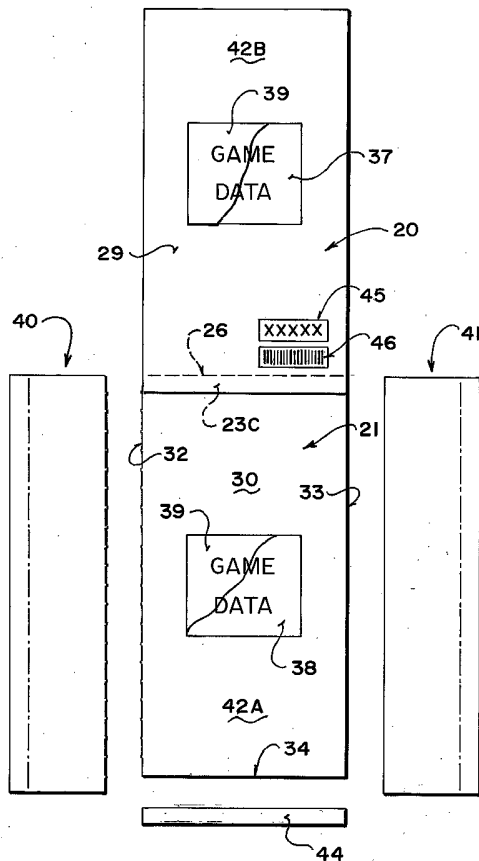
(84) Designated States (unless otherwise indicated, for every kind of regional protection available): ARIPO (BW, GH, GM, KE, LS, MW, MZ, NA, SD, SL, SZ, TZ, UG, ZM, ZW), Eurasian (AM, AZ, BY, KG, KZ, MD, RU, TJ, TM),

(75) Inventors/Applicants (for US only): **SCRYMGEOUR, Lyle, Harold** [CA/CA]; 115 Larche Bay R.R.#1, Oakbank, Manitoba R0E 1J1 (CA). **BRICKWOOD, Michael, John**

[Continued on next page]

(54) Title: PRODUCT PACKAGING HAVING A REMANENT VALUE

(57) Abstract: A packaging material is provided in a continuous roll for forming into a channel shaped receptacle for receiving and supporting a structure such as a food product to be packaged by an over-wrap material. The packaging material is formed from two substrate sheets connected together along side edges to form a coextensive laminate defining a center portion and two side strip portions where the center portion has a width arranged to form the bottom wall and the two side strip portions each have a width arranged to form a respective one of the up-standing side walls. The center portions can be separated and exposed by tearing away the side and end portions and the inside surface of the center portions carries printed indicia providing a remanent value therefor, such as a scratch-off type lottery game or a collectible card.



WO 2006/116832 A1



European (AT, BE, BG, CH, CY, CZ, DE, DK, EE, ES, FI, FR, GB, GR, HU, IE, IS, IT, LT, LU, MC, NL, PL, PT, RO, SE, SI, SK, TR), OAPI (BF, BJ, CF, CG, CI, CM, GA, GN, GQ, GW, ML, MR, NE, SN, TD, TG).

For two-letter codes and other abbreviations, refer to the "Guidance Notes on Codes and Abbreviations" appearing at the beginning of each regular issue of the PCT Gazette.

Published:

— *with international search report*

PRODUCT PACKAGING HAVING A REMANENT VALUE

The present invention relates generally to a printed substrate which can be used in product packaging to provide a remanent value and to a packaged product using the printed substrate.

5 BACKGROUND OF THE INVENTION

In US Patent 6,234,477 assigned to the present assignee and issued May 22nd 2001 is disclosed a construction of lottery or game ticket which utilizes variable image printing techniques in combination with lamination of two substrate sheets together to form what is initially a common pouch construction
10 with the game indicia on the inside surface where the sheets can be separated, each from the other, to form in effect two separate tickets.

The above patent and many similar patents and products available on the marketplace generally provide simply a lottery or game ticket printed on a suitable single substrate sheet or on laminated sheets where the tickets are
15 intended to be used individually simply for playing of a game and are then discarded.

Many such tickets are used directly in a lottery situation so that the tickets have no other relevance other than the playing of the lottery or game by which the player may win monetary or other prizes as part of the lottery or
20 gaming situation.

However more attention has been recently given to the use of such tickets as promotional items used by manufacturers of other products to enhance the sale of the product. It is common therefore for such products to include prize winning elements to encourage the purchase of the particular product. Thus
25 bottled products sometimes include a prize winning element located within the cap. Thus boxed products such as cereal often include an additional insert card placed within the box which carries a game or other promotional material. In such situations, the card is merely an addition to the product and does not form part of the packaging itself.

30 There is however a desire to form such cards or tickets as part of a packaging material to provide the purchaser with the perception that the card or ticket is an integral part of the product and to provide the customer with the perception that there is an attempt to avoid wastage of materials.

SUMMARY OF THE INVENTION

It is one object of the present invention to provide a packaged product where a part of the packaging material is arranged conveniently to form a card or ticket which retains a remanent value to the purchaser thus providing the possibility for the supplier of the product to use the card or ticket for promotional materials enhancing the sale of the product.

According to a packaged product comprising:

at least one product arranged to form a structure to be packaged;

a channel shaped receptacle for receiving and supporting the structure to be packaged;

the channel shaped receptacle having a bottom wall on which the structure sits, with two side edges and two end edges defining a width and length of the bottom wall generally matching a width and length of the structure;

the channel shaped receptacle having two upstanding side walls each connected along a respective side edge of the bottom wall so as to stand upwardly therefrom to a height to provide protection for sides of the structure;

and an over-wrap material covering the channel shaped receptacle and the structure thereon;

the channel shaped receptacle comprising:

a first substrate sheet having a front surface and a rear surface;

a second substrate sheet having a front surface and a rear surface;

the rear surface of at least one of the first and second substrate sheets having printed thereon indicia providing a remanent value therefor;

the first and second substrate sheets being coextensive, with the rear surface of the first substrate sheet being connected to the rear surface of the second substrate sheet to form a common assembly for forming the channel shaped receptacle;

either the first substrate sheet alone or both substrate sheets being perforated to define a perforated tear line thereon arranged to define a portion of the first substrate sheet which can be opened relative to the second substrate sheet, by a user tearing through the perforated tear line, to expose the indicia.

The side walls of the channel shaped receptacle may be of a height

which matches the height of the structure to provide protection for the sides of the structure, but a lower height may in some cases be acceptable for some products. The side walls and the bottom wall also preferably have some stiffness which acts to maintain the channel shape but the amount of stiffness is open to
5 adjustment or selection by varying the thickness and material of the substrate sheets, as will be well known by one skilled in this art. Such packaging structures are commonly used with a thin flexible over-wrap material so that the majority of the stiffness is provided by the channel shaped receptacle but again this can vary depending upon the type of product to be packaged and other factors well know
10 to a person skilled in this art.

The perforations described herein can be provided either through the first substrate sheet alone or through both substrate sheets provided that the sheets can be separated as required herein. The term "perforations" is not intended to require complete perforation through the structure but is a common
15 term of art to define a line of weakness which allows tearing at the line so formed.

The two substrate sheets can be "opened" by complete separation of one from the other or by providing an opening which is sufficient in size to allow the user or player to access the indicia printed on the inside or rear surface of one or both substrate sheets.

It is a highly desirable feature that two side portions of the perforated tear line are arranged respectively along the side edges of the bottom wall. This allows the formation of the remanent portion of the packaging which is defined solely by the flat center portion of the substrate sheets with the folded or bent side portions fully torn away. It will be appreciated that this provides the
20 most aesthetic construction for the user so that the remanent substrate whether that be a game or other collectible is flat. However this is not an essential requirement and the fold lines may not be located directly at the tear lines. Minimizing the width of the side portion torn away of course maximizes the width of the remanent center portion and thus the area available for the indicia, and in
25 some cases this requirement may over-rule the desirability for a flat substrate
30 piece.

Of course, where the two portions of the perforated tear line are

arranged along the side edges of the bottom wall such that the channel shaped receptacle can be torn along the side edges of the bottom wall to simultaneously remove the upstanding side walls and separate the first substrate sheet from the second substrate sheet along said two portions of the perforated tear lines, the advantageous flat center piece can be formed with no fold or bend lines on the
5 piece.

In most cases, the perforated tear line includes at least one transverse perforated portion which allows the separation to be effected by the user at a predetermined transverse line. However this again is not essential and
10 separation may be effected by tearing of the substrate or by separating adhesive joining the adhesive.

Preferably the transverse perforated portion of the perforated tear line or line of weakness is provided through both substrate sheets sufficiently such that an end piece of the channel shaped receptacle, formed by both
15 substrate sheets and including the joining adhesive, can be torn away to leave the center portion of first substrate sheet and the second substrate sheet separated along said transverse perforated portion. However a tear line through only one of the substrate sheets can be used with the user lifting that substrate sheet and tearing it away from the other.

In one preferred arrangement, the perforated tear line extends only
20 part way around the periphery of the portion of the first substrate sheet leaving a part of the periphery of the portion of the first substrate sheet which is free from the tear line, at which the portion of the first substrate sheet remains attached to the second substrate sheet. Thus the two portions of the substrate sheets, while
25 separated to expose the indicia on the inside surfaces, are still connected. This maximizes the area available on the inside surfaces for the indicia of remanent value but provides a product which has a tendency not to remain flat due to the connection line at the adhesive. In most cases, the part of the periphery which is not perforated for tearing is arranged at one end of the channel shaped
30 receptacle. However it is not essential that the non-perforated part be located at one end and it can be located at other positions for example along one side.

In the above preferred arrangement, where the pieces remain

connected, the indicia can comprise related indicia printed on both the rear surfaces of the first and second substrate sheets. This is particularly of value where the indicia comprise game indicia covered by a scratch-off layer where the indicia printed on both the rear surfaces of the first and second substrate sheets relate to a common game. However separate games or separate indicia unconnected between the two pieces can be used if preferred.

In order to promote the remanent value to the user, preferably promotional graphics are printed on the front surface of one or both of the first and second substrate sheets. If printing on one surface contacting the product is an issue for hygiene, the printing may be provided only on that substrate, either the first or the second, which is located on the outer surface of the channel shaped receptacle. Of course the printing on the rear or inside surfaces of the substrates has no hygiene issues provided the substrates are selected for food grade materials if required.

Where the remanent indicia relate to a game, game information relating to rules and the like for playing of the game are preferably printed on the front or outer surface of one or both of the first and second substrate sheets, thus maximizing the area on the inside or rear surfaces for actual game indicia.

Where the remanent indicia relate to a game, the indicia printed on the rear surface may comprise game indicia printed by variable image printing, some or all of the game indicia being covered by a layer of scratch-off material removable by a player. The game indicia may be provided on only one or both of the substrate sheets. Where the indicia is on only one, the other may be blank if not required or may contain other indicia unrelated to the game, for example a collectible card or the like.

In an alternative arrangement, the perforation tear line is arranged to separate the first and second substrate sheets each from the other to form two separate sheet portions. Thus the perforation tear line generally will include, in this arrangement, both side portions along the sides of the remanent pieces and two transverse portions one across each end.

Such separate pieces can be used either as separate game cards or as other collectible cards either including valuable remanent data or containing

collectible information such as sports cards or the like.

Where the sheet portions formed from the first and second sheets are wholly separated, the perforation tear line is preferably arranged to form two sheet portions of identical size by tearing off side and end pieces. In some cases
5 the sheet portions may be defined by the whole length of the channel shaped receptacle or in other cases, for example where the product is inconveniently long, the sheet portions may be sub-divided into more than one piece preferably by transverse perforation lines.

In the above situation, generally each of the two sheet portions of
10 identical size will have collectible data of remanent value printed on at least the rear surface thereof.

The type of remanent indicia can vary widely and includes data of intrinsic value to the user, promotional cards, product coupons, collectible cards such as sports cards and any others which can be created by the imagination of
15 those in the promotional industry.

Where the remanent indicia relate to a game, the game may be for prizes both monetary and product related or may be merely for entertainment where no gambling or prize is involved. The type and value of any prizes can vary widely. The games may be pre-determined, otherwise known as "instant
20 win" tickets or may include elements of skill or chance. The games may include a scratch-off-coating which is convenient and effective particularly for instant win type game tickets, but other types of games which do not include scratch-off may be used.

In addition to the above completed packaged product, it is one
25 object of this invention also to provide a packaging material which is designed and arranged for use in producing the above product.

According to a second aspect of the invention therefore there is provided a packaging material for forming a channel shaped receptacle for receiving and supporting a structure to be packaged by an over-wrap material
30 covering the channel shaped receptacle and the structure thereon, where the channel shaped receptacle has a bottom wall on which the structure sits, with two side edges and two end edges defining a width and length of the bottom wall

generally matching a width and length of the structure and two upstanding side walls each connected along a respective side edge of the bottom wall so as to stand upwardly therefrom to a height to provide protection for sides of the structure;

5 the packaging material comprising:

a first substrate sheet having a front surface and a rear surface;

a second substrate sheet having a front surface and a rear surface;

10 the first and second substrate sheets being coextensive, with the rear surface of the first substrate sheet being connected to the rear surface of the second substrate sheet to form a common assembly for forming the channel shaped receptacle;

15 the first and second substrate sheets defining a center portion and two side strip portions where the center portion has a width arranged to form the bottom wall and the two side strip portions each have a width arranged to form a respective one of the upstanding side walls;

the rear surfaces of the first and second substrate sheets being connected by adhesive within the side strip portions leaving the center portions unconnected;

20 the rear surface the center portion of at least one of the first and second substrate sheets having printed thereon indicia providing a remanent value therefor.

25 Preferably the substrate sheets are formed in a continuous strip defining a continuous row of individual packaging elements each arranged to form an individual channel shaped receptacle having a length matching that of the structure to be packaged, wherein each individual packaging element is separated from the next by a transverse strip of adhesive which connects the first substrate sheet to the second substrate sheet. Such a continuous strip is conveniently rolled for unrolling at a packaging machine. However the strip may be fan folded. In addition, depending upon the requirements of the packaging machine, the elements may be supplied individually in a stack each for use with a separate packaged product.

30 Depending upon the requirements of the packaging machine, some

or all of the required perforations may be applied in the strip prior to supply. Typically such packaging machines include perforating rollers which form the junction line between the side walls and the bottom wall of the channel shaped receptacle. Where this is the case, these side portions of the perforations may
5 be applied on line with any prior perforations in the strip being limited to one or two transverse perforations lines as required.

While the actual perforation lines forming the junction between the side walls and the center portion defining the bottom wall are formed on the packaging line, it is desirable to correlate in the supplied strip the location of the
10 center portion and the remanent indicia printed thereon so that when the lines are formed and the packaging material opened by the purchaser, the removal of the side portions leaves the center portion alone but intact.

BRIEF DESCRIPTION OF THE DRAWINGS

One embodiment of the invention will now be described in
15 conjunction with the accompanying drawings in which:

Figure 1 is a top plan view of a packaged product according to the present invention.

Figure 2 is a transverse cross-sectional view of the packaged product of Figure 1.

20 Figure 3 is a bottom plan view of one example of packaging element, for use in containing the packaged product of Figures 1 and 2, according to the present invention showing the front or bottom surface of first substrate sheet.

Figure 4 is a top plan view of the packaging element of Figure 4
25 after separation to expose the game data on the rear or inside surface of the first and second substrate sheets.

Figure 5 is a cross sectional view along the lines 5-5 of Figure 3.

Figure 6 is a top plan view showing schematically a method of wrapping the product of Figure 1 using a rolled supply of the packaging elements
30 of Figures 3, 4 and 5.

Figure 7 is a side elevational view of the schematic method of Figure 6.

Figure 8 is a bottom plan view of a second example of packaging element, for use in containing the packaged product of Figures 1 and 2, according to the present invention showing the front or bottom surface of first substrate sheet.

5 Figure 9 is a top plan view of the packaging element of Figure 8 after separation to expose the card data on the rear or inside surface of the first and second substrate sheets.

In the drawings like characters of reference indicate corresponding parts in the different figures.

10 DETAILED DESCRIPTION

In Figures 1 and 2 is shown a wrapped product utilizing a packaging element according to the present invention so as to provide a construction which is also in accordance with the present invention. The wrapped product comprises a product 10 which is shown as an elongate rectangular body but can be of any
15 shape and may include a series of separate elements. The product is contained within a channel shaped receptacle 11 having a bottom wall 12 underlying the product 10 and having two upstanding side walls 13 and 14 each standing up along a respective side of the product 10. The width and length of the bottom wall 12 is matched approximately or generally to the width and length of the
20 product. The upstanding side walls 13 and 14 are of a height so that they provide some protection for the sides of the product. The height as shown is approximately equal to the height of the product but it is not necessary that the height match the height of the product since the existence of the side walls and the stiffness provided by the channel shaped receptacle 11 due to the bends
25 between the side walls and the bottom wall provide protection for the product as is well known.

The product carried within the channel shaped receptacle is wrapped by a thin overwrap material 15 which surrounds the complete product and the receptacle and forms a thin seal 16 along the bottom surface underneath
30 the bottom wall 12.

Packaged products of this type are well known and this type of packaging is used for many different types of products. Commonly it can be seen

in the packaging of candy bars where a single candy bar sits in the channel shaped receptacle and is enclosed by the overwrap material. Sometimes the channel shaped receptacle receives two candy bars end to end or in other cases more than two can be elements are arranged in a row along the channel shaped
5 receptacle and held together by the overwrap material.

Conventionally the channel shaped receptacle is formed of card manufactured to food grade so that an inside surface of the card contacts the bottom and sides of the product directly with the overwrap material providing the necessary hygienic sealed enclosure.

10 According to the embodiments described herein, the channel shaped receptacle is replaced by a modified construction which provides printed cards or printed tickets forming remanent value for the packaging element when it is removed from the package.

Thus the construction shown in Figures 3, 4 and 5 forms a
15 packaging element for replacement of the conventional channel shaped receptacle of the conventional packaging materials.

The packaging element shown in these figures is formed from a first substrate 20 and a second substrate 21. Although the substrates shown with the first uppermost, it will be appreciated that in many cases the product can be
20 inverted since it is in many cases symmetrical. In other cases one of the substrates may form a smooth flat unprinted surface 22 which can be used to contact the food product in cases where printing layers or other layers applied on to the substrate would be undesirable for such food products.

In Figures 3, 4 and 5 is shown a single packaging element which
25 has been cut to form the element for use in the packaging process. In many cases the packaging elements will be supplied as a continuous row as described hereinafter. The cutting to separate each from the next can be carried on prior to supply or as part of the process on the packaging line as is convenient for the particular arrangement of packaging line used to package the product. The
30 following description therefore relates to the individual packaging element when separated and cut for use in the finished package product described above.

The packaging element therefore formed by the first and second

substrate layers 20 and 21 is formed into a composite construction by the co-extensive substrates being bonded each to the other by a band of adhesive 23 arranged around the periphery of the substrates adjacent the edges of the substrates. Thus the substrates have two side strips 23A and 23B of the adhesive each along a respective side edge 24, 25 of the substrate. Further the
5 substrates have transverse lines of adhesive 23C and 23D arranged along end edges 26 and 27 of the substrates respectively. The substrates thus formed into the laminate structure provide an outside surface or front surface including the surface 28 of the substrate 20 and the surface 22 of the substrate 21. Also the
10 substrates provide an inside or rear surface 29 of the substrate 20 and 30 of the substrate 21. The surfaces 29 and 30 are fully enclosed by the strips of adhesive so that they are not accessible at this time to a person accessing the packaging element.

The packaging element further includes perforated lines of weakness 32 and 33 arranged along the length of the packaging element parallel
15 to the side edges 24 and 25. Further the packaging element includes a transverse line of weakness 34 adjacent to or at the strip of adhesive 23D adjacent the edge 27. It will be noted that the line of weakness is positioned slightly beyond the band of adhesive so that the laminate at the position beyond
20 the line of weakness is entirely free from the adhesive and can be separated at that location. It will be noted that there is no perforated line of weakness at the adhesive band 23 adjacent the edge 26 corresponding to the line 34.

In one embodiment the lines of weakness 32, 33 are provided through both of the substrates 20 and 21 so that both can be readily torn along
25 that line of weakness. In an alternative embodiment (not shown) only the upper one 20 of the substrates is perforated at the line of weakness thus allowing the upper substrate to be torn while the lower substrate remains intact.

The lines of weakness 32 and 33 are arranged so that they are located directly at the bend or fold lines 13A 14A in the package structure shown
30 in Figure 2. Thus the lines of weakness 32 and 33 are arranged either on the packaging line or an initial supply of the package elements to be located at a position directly matching the intended location of the fold lines 13A and 14A.

Thus the lines of weakness 32 and 33 are arranged to perform two functions and thus are manufactured or formed using forming techniques, one well known to one skilled in the art, which perform both of these functions. The first function is to allow the bend or fold lines 13A, 14A to be formed readily thus allowing the channel shaped member to be bent or folded into the channel shape from an initial flat condition. Secondly the lines of weakness 32, 33 are arranged to allow the tearing of the substrates, either one or both of the substrates in a clean tearing action along the line of weakness.

Thus it will be noted from Figures 2 and 3 that the width of the laminate from the line 32 to the edge 24 as indicated at H is equal to the height of the side walls in the package structure shown in Figure 2.

As shown in Figure 3, at least the surface 28 has printed thereon product information and/or graphics 35 together with data or indicia 36 relating to the remanent value of the card or ticket.

In the embodiment of Figures 3 and 4, the remanent value relates to a game intended to be played by the user after purchase of the product and consumption of the product thus leaving the packaging material and particularly the packaging element available for further use. In this case the printed information on the surface 28 as indicated at 36 relates to rules or other information concerning the game to be played.

The actual game to be played is printed on the rear or inside surfaces 29 and 30 of the substrates 20 and 21 as best shown in Figure 4. The game data is printed on the inside surface as indicated at 37 and 38. The game data is covered by a scratch off coating 39 which is shown partly removed during playing of the game. Various types of games can be used as is well known to one skilled in the art where game indicia can be exposed or marked by scratching a latex coating printed onto the game indicia on top of the surface of the substrate. The covering of the game indicia 37 and 38 by the latex or other scratch off coating is best shown in Figure 5.

When the packaging element is exposed and removed from the packaging after consumption of the product, the side portions 40 and 41 defined by tearing along the lines of weakness 32 and 33 can be directly removed from

the laminate structure forming the packaging element. This removal is often effected by initially weakening the line of weakness by bending the laminate back and forth at the line of weakness so as to stretch the connecting points along the line of weakness and further define the line of weakness sufficiently to allow the manual tearing of the portions 40 and 41 without the danger of the tear propagating into the portions themselves or the remaining element of the substrate between those portions. Thus it will be noted that when the portions 40 and 41 have been torn away, this leaves a central portion 42A and 42B of the substrates 20 and 21. As the removed strips 40 and 41 are substantially equal to the height of the side walls of the packaging element, the remaining center portions 42A and 42B are substantially equal in width to the bottom wall 12 of the packaging element.

With the side strips torn away, a bottom strip portion 44 defined beyond the line of weakness 34 can also be torn away, again using the bending back and forth technique to weaken the line of weakness if necessary.

When torn away from the line of weakness 34, it will be appreciated that the center portions 42A and 42B can be opened up to expose the inside or rear surfaces 29 and 30 as shown in Figure 4. The substrates 20 and 21 remain connected by the strip of adhesive 23C. This opening of the substrates 20 and 21 exposes the game data 37 and 38 allowing the game to be played in conventional manner. One or both of the substrate pieces 20, 21 can carry a validation number 45 and a bar code 46 as is conventionally known.

The game data 37 and 38 is preferably related to a common game format so that the game data of one surface 29 is related to the game data of the second surface 30 in a common game.

Depending upon the game, only one of the surfaces 29 and 30 may contain actual playing game data including a scratch off coating whereas the other may include game elements to be played or other information relating to the common game. In a yet further alternative, the games defined by the game data 37 and 38 may be entirely separate and played entirely separately.

In another alternative (not shown) a second transverse line of weakness is provided at the adhesive band 23C so as to provide a tear off strip

symmetrical to the tear off strip 44 at the end 26 thus allowing the substrate pieces 20 and 21 defined by the center sections 42A and 42B to be entirely separated one from the next to provide two separate game elements which are entirely independent and played independently.

5 In a further alternative (not shown), the lines of weakness 32, 33 and 34 may extend only through one of the substrate sheets so that the user lifts up the substrate sheet which is separated and pulls it away from the underlying substrate sheet without separating the strips 40 and 41 and thus maintaining the structure intact. This arrangement may be more desirable to avoid formation of
10 little pieces of waste material which can be discarded inappropriately since the structure in this embodiment is maintained integral but the tearing action simply exposes the inside surface of the center portions 42A and 42B for playing of the game. In a yet further arrangement, the lines of perforation or weakness include the lines 32, 33 and 34 together with a yet further line across the adhesive band
15 23C whereas each of the lines of weakness extends only through one substrate allowing that substrate portion 42B to be torn wholly away from the remaining underlying structure comprising the portion 42A which remains connected to the portions 40, 41 and 44.

Turning now to Figures 6 and 7 there is shown schematically a
20 packaging line for forming the packaging elements and package structures described above. Thus in Figures 6 and 7 is shown a roll 50 defining a continuous supply of the packaging elements connected end to end. The packaging elements include the substrates 20 and 21 as previously described which are connected by the bands of adhesive 23. In Figure 6 is shown three
25 separate packaging elements indicated at 11A, 11B and 11C respectively in a row running downstream from the roll 50. The third package element 11C is shown engaged around the product 10.

In this embodiment the substrates 20 and 21 are printed with all of the data concerned as described above. The roll of the substrates is supplied in
30 a direction at right angles to the final use in that the side edges of the strip on the roll are defined by the front and rear edges 26 and 27 and the only pre-cut line provides the transverse line of weakness 34.

In the packaging line, the lines of weakness 33 and 32 are formed by a die cutter 51 of a conventional nature well known to one skilled in the art which includes perforating edges which act to provide the necessary perforations as previously described. The die cutter includes a cutting element 53 which is
5 located so as to effect a transverse cutting action to separate each packaging element from the next as they are fed from the roll 50. The cutting element 53 is timed to operate so that it cuts along a line 24/24 which is shown schematically in Figure 6 which is the intended line of separation of one packaging element from the next. In Figure 6 it will be noted that a separation of the packaging element
10 has occurred at the junction between the packaging element 11B and the packaging element 11C allowing the packaging element to be moved at right angles to the supply line into register with the product supply shown schematically at 10A.

Folding rollers 55 are provided which guide the bending action of
15 the packaging element so as to provide the bending at the lines 32 and 33 to form the packaging element into the channel shaped receptacle necessary to receive the product 10. The product 10 is supplied from a product supply 10A which is again shown schematically.

The details of the packaging line of this nature are well known to
20 one skilled in the art so that they are shown only schematically herein.

Further details concerning the construction and method of manufacture of the laminate structure forming the packaging elements is shown in US Patent 6,234,477 of the present Assignee to which reference can be made for further details of this construction as required by the reader.

25 Turning now to Figures 8 and 9 there is shown another example of a packaging element similar to that previously described. In this embodiment, the center portions of the laminate as indicated at 42A in Figure 8 are completely separated by separation of the laminates 20 and 21 by the four lines of weakness 32, 33, 34 and 34A where the line 34A is symmetrical to the line 34 but at the
30 opposite edge 26. This allows the four pieces 40, 41, 44 and 44A to be torn away as shown in Figure 9. In this embodiment it will be noted that the end pieces 44 and 44A are torn away first so that they have a width equal to the full

width of the packaging element since it will be appreciated that the tearing action can be effected in either direction first. However this is generally not the preferred

In the embodiment shown in Figure 9, after separation of the center
5 pieces from the surrounding tear off pieces, four individual cards can be formed as indicated at 42C, 42D, 42E and 42F. These individual cards are formed from the first and second sheets 20 and 21 together with a further transverse line of weakness 60.

In this embodiment, rather than providing a game as a residual
10 value, the residual value is provided by a series of collectible cards of those well known to one skilled in the art. Such collectible cards often include sports data, sports personalities, entertainment or celebrity personalities and the like with the intention that the cards be collectible, traded and formed into a complete set. This technique of course has high promotional value and can use any of the
15 licensable information or data available for collectible cards as is well known to one skilled in the art and as is available to the imagination of the person skilled in the promotional business.

The reason for dividing the center pieces 42A and 42B from the
20 sheets 20 and 21 into separate cards 42C, 42D, 42E and 42F is that the length of the packaging element may be inconvenient or unsuitable to match the conventional length of a collectible card so that additional separation may be desirable. However this is of course not necessary and the complete center portion may be formed as the collectible item regardless of its shape. In this
25 embodiment it is highly desirable that the side pieces 40 and 41 be fully torn away so that the completed card is formed only from the center section and thus is entirely flat for collection as a set of flat collectible cards.

While the preferred embodiments of the invention have been
described above, it will be recognized and understood that various modifications may be made therein, and the appended claims are intended to cover all such
30 modifications which may fall within the spirit and scope of the invention.

CLAIMS:

1. A packaged product comprising:
 - at least one product arranged to form a structure to be packaged;
 - a channel shaped receptacle for receiving and supporting the
5 structure to be packaged;
 - the channel shaped receptacle having a bottom wall on which the structure sits, with two side edges and two end edges defining a width and length of the bottom wall generally matching a width and length of the structure;
 - the channel shaped receptacle having two upstanding side walls
10 each connected along a respective side edge of the bottom wall so as to stand upwardly therefrom to a height to provide protection for sides of the structure;
 - and an over-wrap material covering the channel shaped receptacle and the structure thereon;
 - the channel shaped receptacle comprising:
 - 15 a first substrate sheet having a front surface and a rear surface;
 - a second substrate sheet having a front surface and a rear surface;
 - the rear surface of at least one of the first and second
20 substrate sheets having printed thereon indicia providing a remanent value therefor;
 - the first and second substrate sheets being coextensive, with the rear surface of the first substrate sheet being connected to the rear surface of the second substrate sheet to form a common assembly for forming the channel
25 shaped receptacle;
 - either the first substrate sheet alone or both substrate sheets being perforated to define a perforated tear line thereon arranged to define a portion of the first substrate sheet which can be opened relative to the second substrate sheet, by a user tearing through the perforated tear line, to expose the
30 indicia.
2. The packaged product according to Claim 1 wherein two side portions of the perforated tear line are arranged respectively along the side edges

of the bottom wall.

3. The packaged product according to Claim 2 wherein the two portions of the perforated tear line along the side edges of the bottom wall are arranged such that the channel shaped receptacle can be torn along the side
5 edges of the bottom wall to simultaneously remove the upstanding side walls and separate the first substrate sheet from the second substrate sheet along said two portions of the perforated tear lines.

4. The packaged product according to Claim 1, 2 or 3 wherein the perforated tear line includes at least one transverse perforated portion.

10 5. The packaged product according to Claim 4 wherein the transverse perforated portion of the perforated tear line is arranged such that an end piece of the channel shaped receptacle can be torn away to separate the first substrate sheet from the second substrate sheet along said transverse perforated portion.

15 6. The packaged product according to any one of Claims 1 to 5 wherein the perforated tear line extends only part way around the periphery of the portion of the first substrate sheet leaving a part of the periphery of the portion of the first substrate sheet which is free from the tear line, at which the portion of the first substrate sheet remains attached to the second substrate sheet.

20 7. The packaged product according to Claim 6 wherein the indicia comprise related indicia printed on both the rear surfaces of the first and second substrate sheets.

8. The packaged product according to Claim 6 wherein the indicia comprise game indicia covered by a scratch-off layer where the indicia
25 printed on both the rear surfaces of the first and second substrate sheets relate to a common game.

9. The packaged product according to any one of Claims 1 to 8 wherein promotional graphics are printed on said front surface of one or both of the first and second substrate sheets.

30 10. The packaged product according to any one of Claims 1 to 9 wherein game information is printed on said front surface of one or both of the first and second substrate sheets.

11. The packaged product according to any one of Claims 1 to 10 wherein the indicia printed on the rear surface comprises game indicia printed by variable image printing, some or all of the game indicia being covered by a layer of scratch-off material removable by a player.

5 12. The packaged product according to any one of Claims 1 to 11 wherein the indicia comprises first game indicia printed by variable image printing onto said rear surface of said first substrate sheet, some or all of the first game indicia being covered by a layer of scratch-off material removable by a player; and second game indicia printed by variable image printing onto said rear
10 surface of said second substrate sheet, some or all of the second lottery game indicia being covered by a layer of scratch-off material removable by the player.

13. The packaged product according to any one of Claims 1 to 12 wherein the perforation tear line is arranged to separate the first and second substrate sheets each from the other to form two separate sheet portions.

15 14. The packaged product according to Claim 13 wherein the perforation tear line is arranged to form two sheet portions of identical size by tearing off side and end pieces.

15. The packaged product according to Claim 14 wherein the two sheet portions of identical size have collectible data of remanent value
20 printed on at least the rear surface thereof.

16. A packaging material for forming a channel shaped receptacle for receiving and supporting a structure to be packaged by an over-wrap material covering the channel shaped receptacle and the structure thereon, where the channel shaped receptacle has a bottom wall on which the structure
25 sits, with two side edges and two end edges defining a width and length of the bottom wall generally matching a width and length of the structure and two upstanding side walls each connected along a respective side edge of the bottom wall so as to stand upwardly therefrom to a height to provide protection for sides of the structure;

30 the packaging material comprising:

a first substrate sheet having a front surface and a rear surface;

a second substrate sheet having a front surface and a rear surface;

the first and second substrate sheets being coextensive, with the rear surface of the first substrate sheet being connected to the rear surface of the second substrate sheet to form a common assembly for forming the channel shaped receptacle;

the first and second substrate sheets defining a center portion and two side strip portions where the center portion has a width arranged to form the bottom wall and the two side strip portions each have a width arranged to form a respective one of the upstanding side walls;

the rear surfaces of the first and second substrate sheets being connected by adhesive within the side strip portions leaving the center portions unconnected;

the rear surface the center portion of at least one of the first and second substrate sheets having printed thereon indicia providing a remanent value therefor.

17. The packaging material according to Claim 16 wherein the substrate sheets are formed in a continuous strip defining a continuous row of individual packaging elements each arranged to form an individual channel shaped receptacle having a length matching that of the structure to be packaged, wherein each individual packaging element is separated from the next by a transverse strip of adhesive which connects the first substrate sheet to the second substrate sheet.

18. The packaging material according to Claim 16 or 17 wherein either the first substrate sheet alone is or both substrate sheets are perforated to define a transverse perforated tear line thereon arranged to define a portion of the first substrate sheet which can be opened relative to the second substrate sheet, by a user tearing through the perforated tear line, to expose the indicia.

19. The packaging material according to Claim 18 wherein the transverse perforated tear line is arranged such that an end piece of the channel shaped receptacle can be torn away to separate the first substrate sheet from the second substrate sheet along said transverse perforated tear line.

20. The packaging material according to any one of Claims 16 to 19 wherein either the first substrate sheet alone is or both substrate sheets are perforated to define two perforated tear lines each of which is arranged along a line joining the center portion to the respective side strip portion.

5 21. The packaging material according to Claim 20 wherein the two perforated tear lines are arranged such that the channel shaped receptacle can be torn along the side edges of the bottom wall to simultaneously remove the upstanding side walls and separate the first substrate sheet from the second substrate sheet along said two perforated tear lines.

10 22. The packaging material according to Claim 18 wherein the perforated tear line extends only part way around the periphery of the center portion of the first substrate sheet leaving a part of the periphery of the center portion of the first substrate sheet which is free from the tear line, at which the center portion of the first substrate sheet remains attached to the second
15 substrate sheet.

23. The packaging material according to Claim 22 wherein the indicia comprise related indicia printed on both the rear surfaces of the center portion of the first and second substrate sheets.

20 24. The packaging material according to Claim 23 wherein the indicia comprise game indicia covered by a scratch-off layer where the indicia printed on both the rear surfaces of the first and second substrate sheets relate to a common game.

25 25. The packaging material according to any one of Claims 16 to 24 wherein promotional graphics are printed on said front surface of one or both of the first and second substrate sheets.

26. The packaging material according to any one of Claims 16 to 25 wherein game information is printed on said front surface of one or both of the first and second substrate sheets.

30 27. The packaging material according to any one of Claims 16 to 26 wherein the indicia printed on the rear surface of the center portion comprises game indicia printed by variable image printing, some or all of the game indicia being covered by a layer of scratch-off material removable by a player.

28. The packaging material according to any one of Claims 16 to 26 wherein the indicia comprises first game indicia printed by variable image printing onto said rear surface of said first substrate sheet, some or all of the first game indicia being covered by a layer of scratch-off material removable by a player; and second game indicia printed by variable image printing onto said rear surface of said second substrate sheet, some or all of the second lottery game indicia being covered by a layer of scratch-off material removable by the player.

29. The packaging material according to any one of Claims 16 to 26 wherein the center portion of each of the first and second substrate sheets is arranged to be separated each from the other to form two separate sheet portions of identical size wherein the two sheet portions of identical size have collectible data of remanent value printed on at least the rear surface thereof.

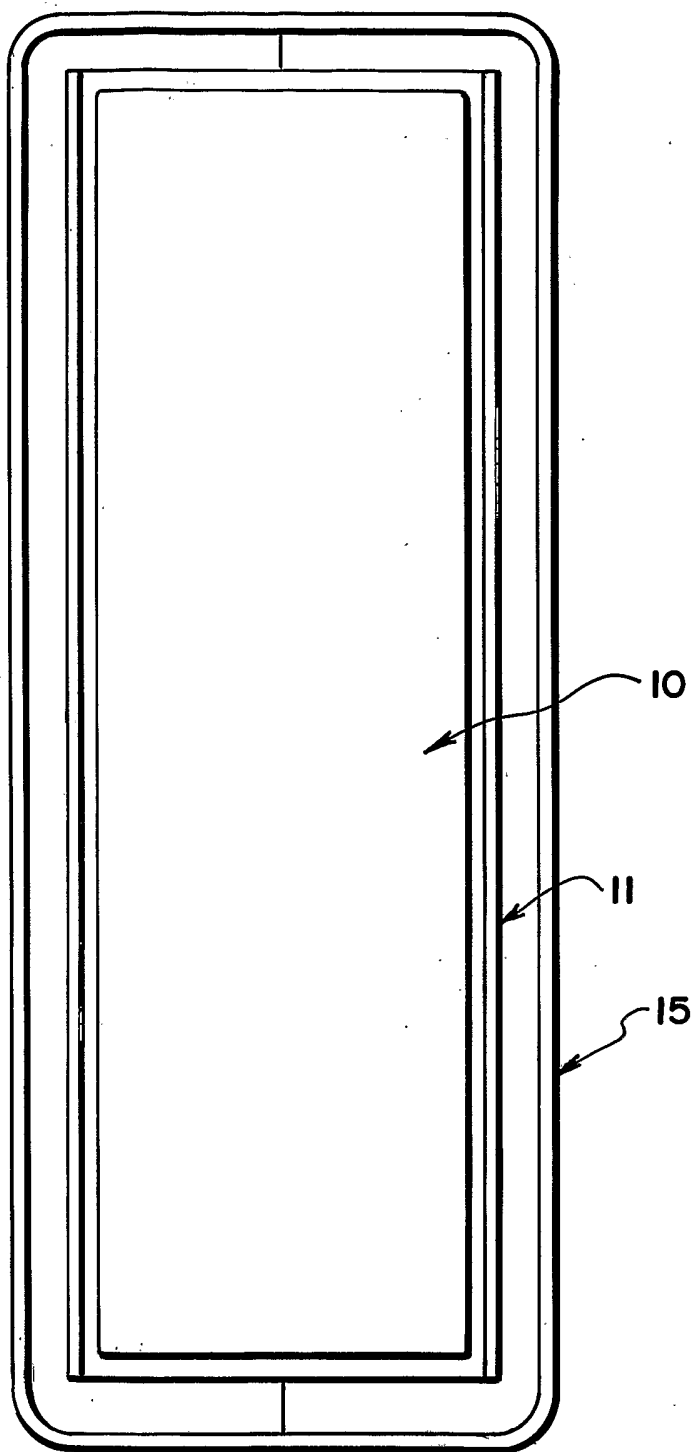


FIG. 1

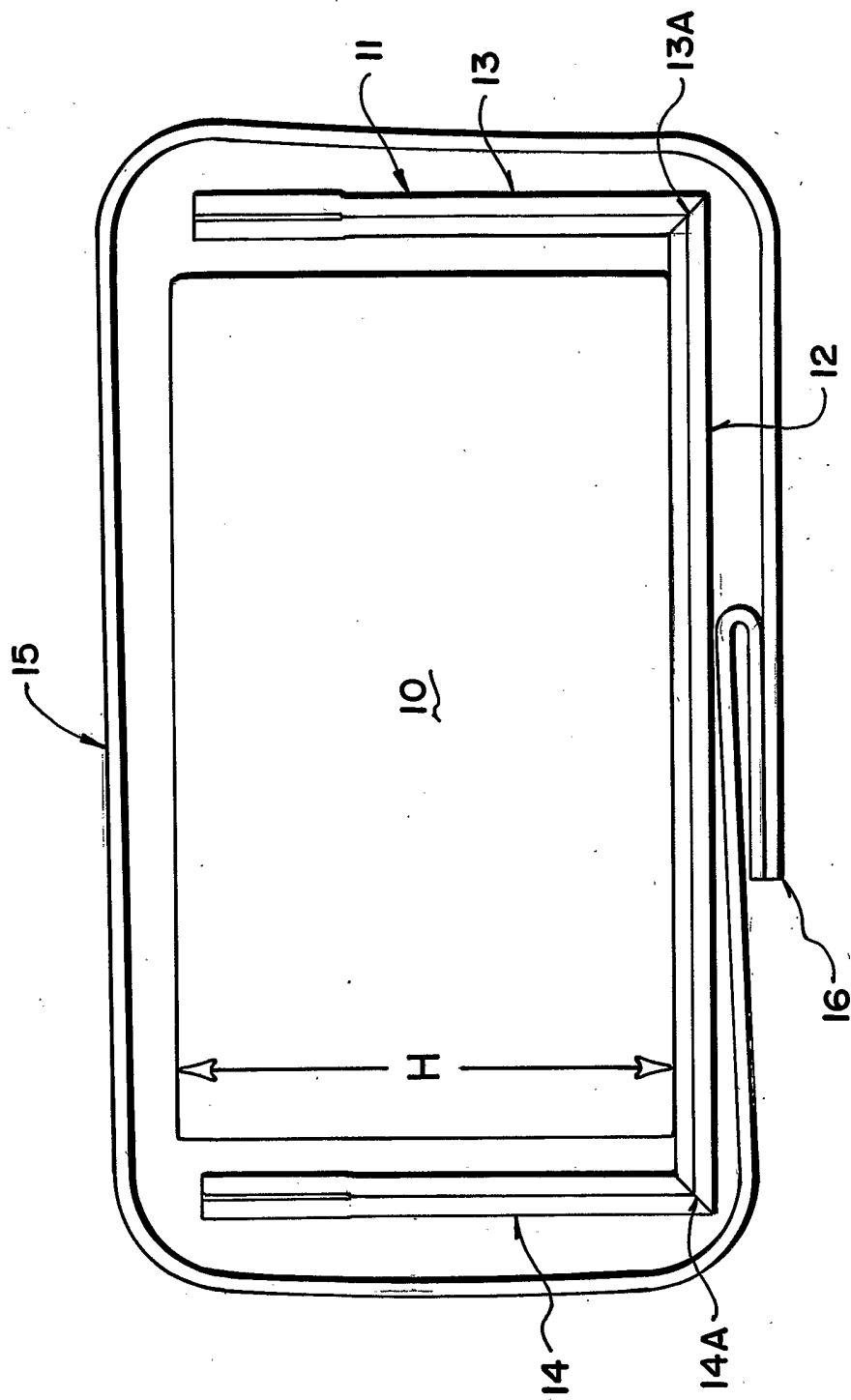


FIG. 2

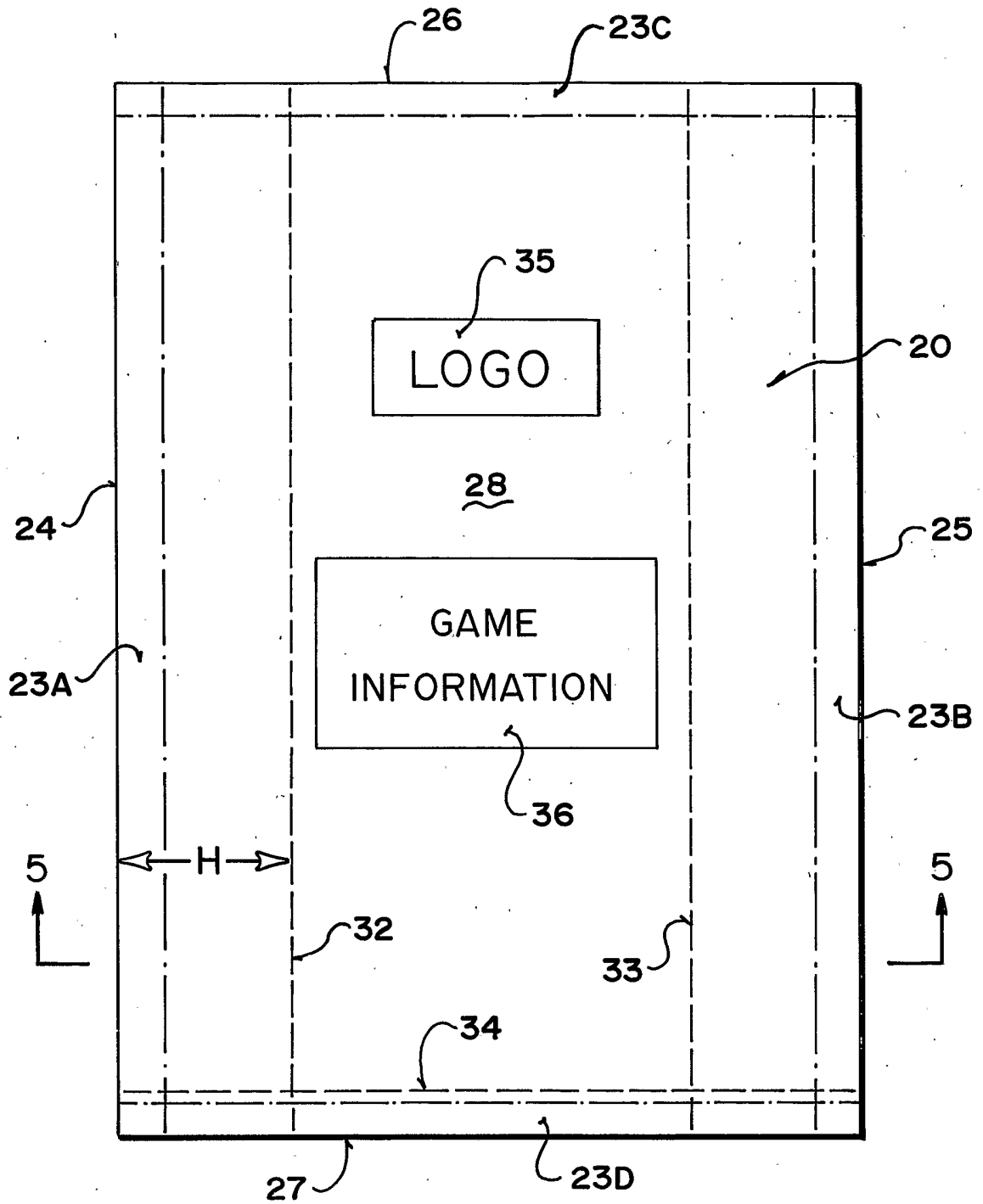
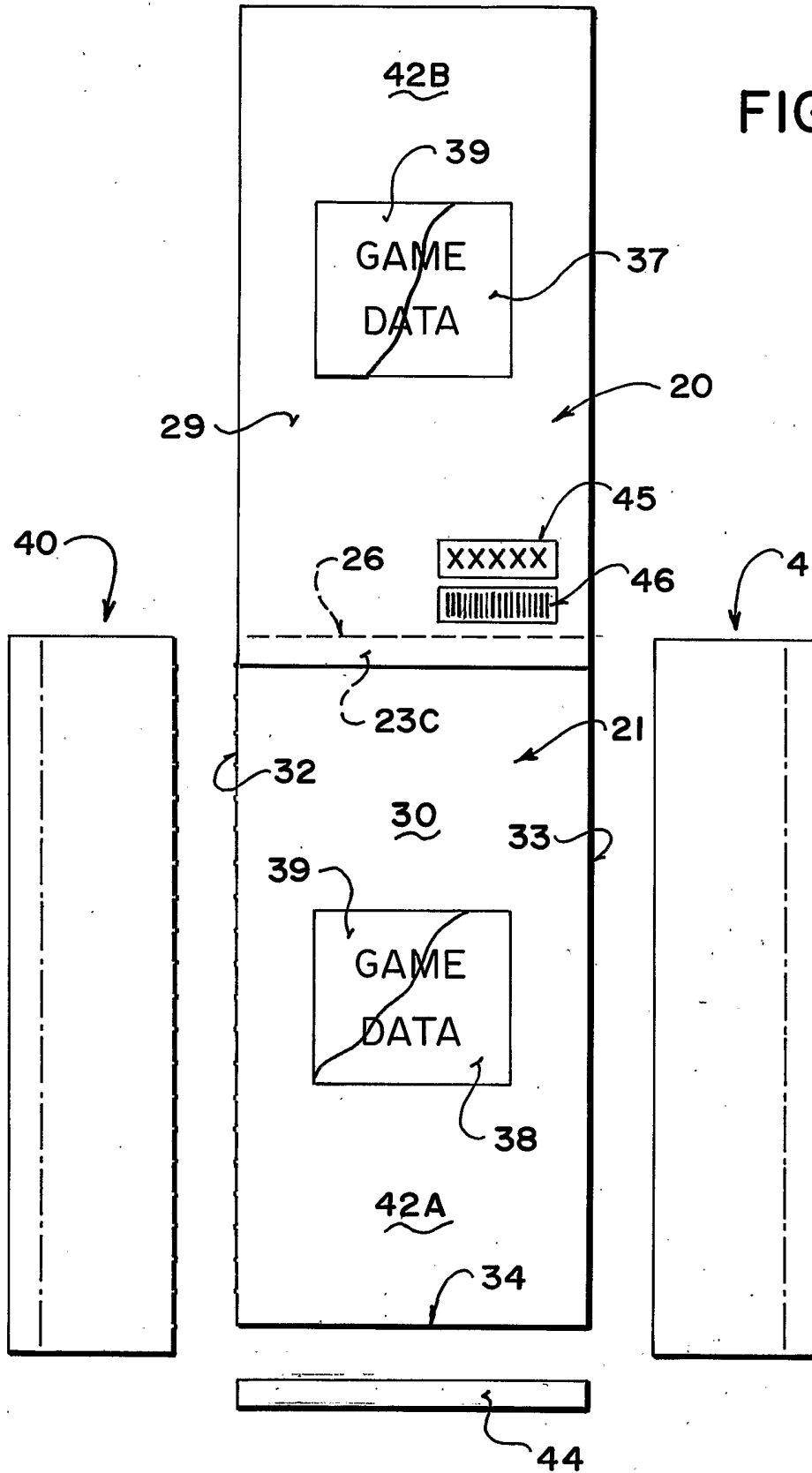


FIG. 3

4/9

FIG. 4



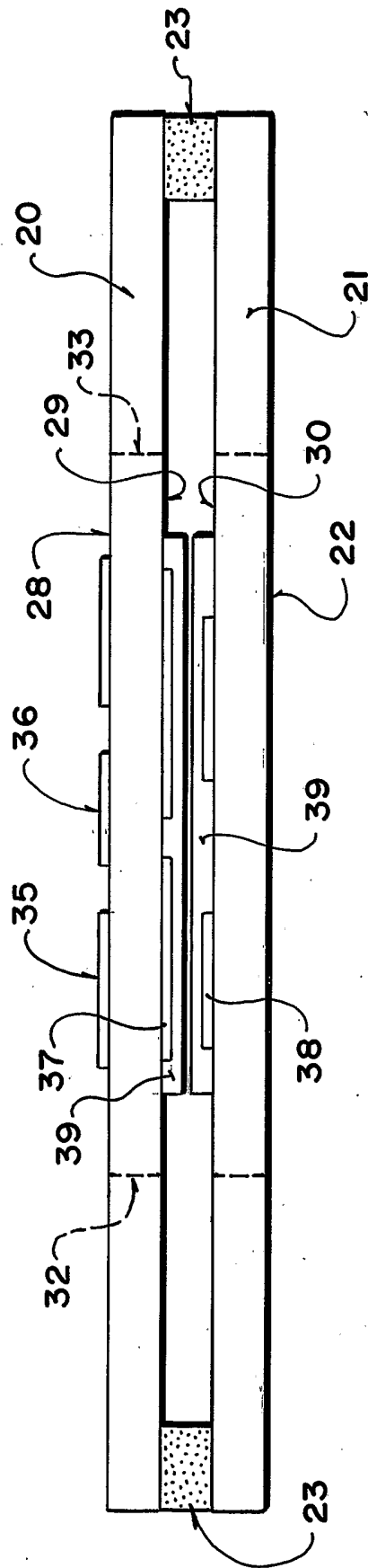
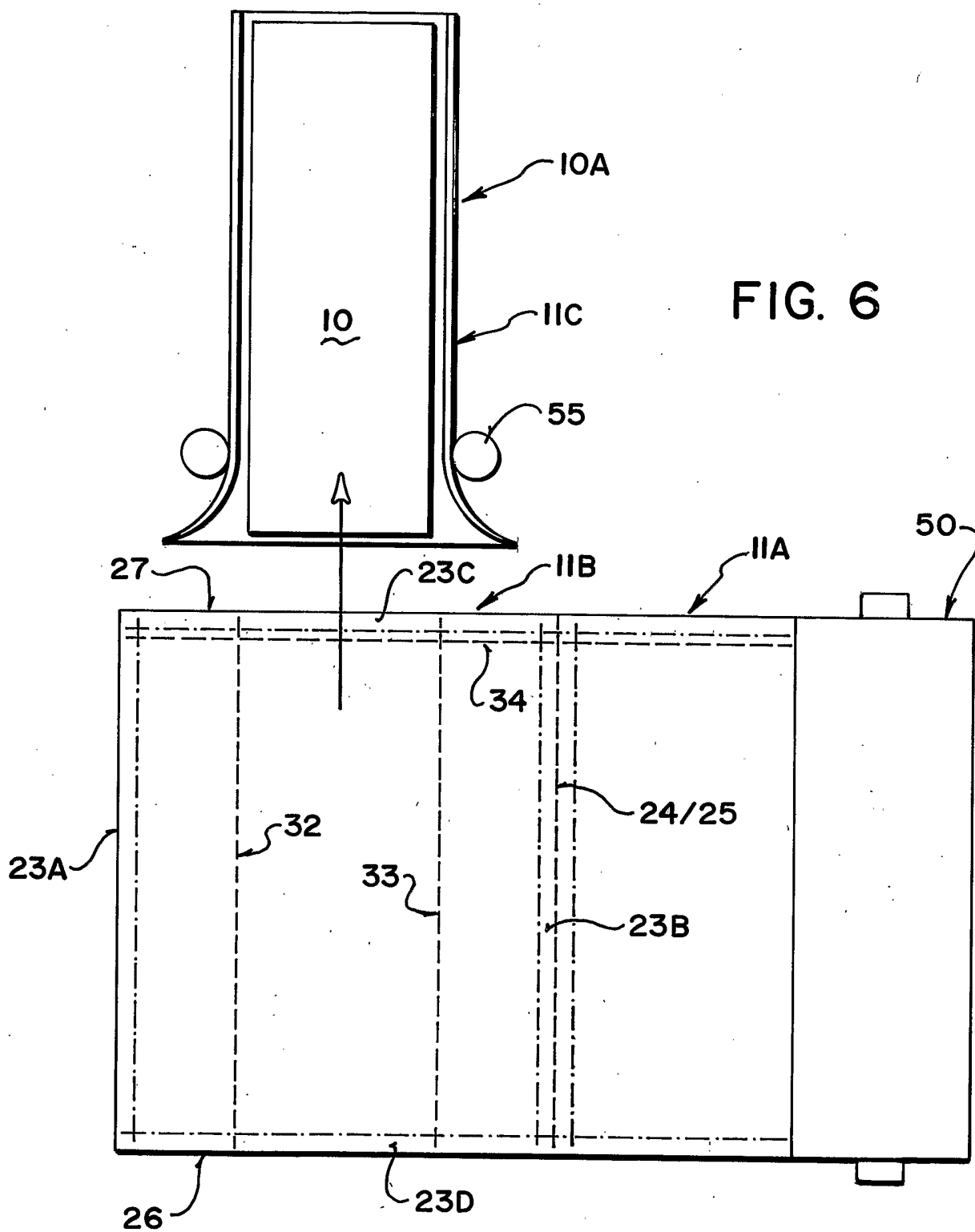


FIG. 5



7/9

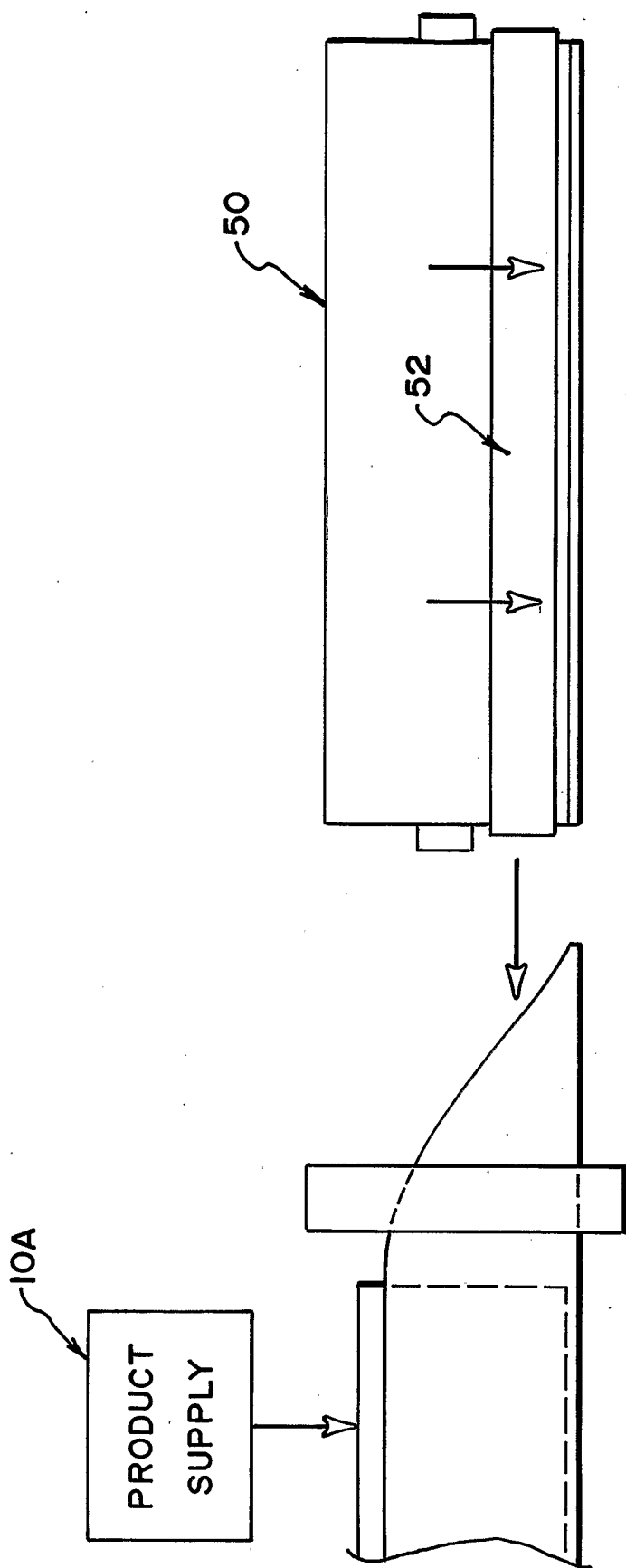


FIG. 7

8/9

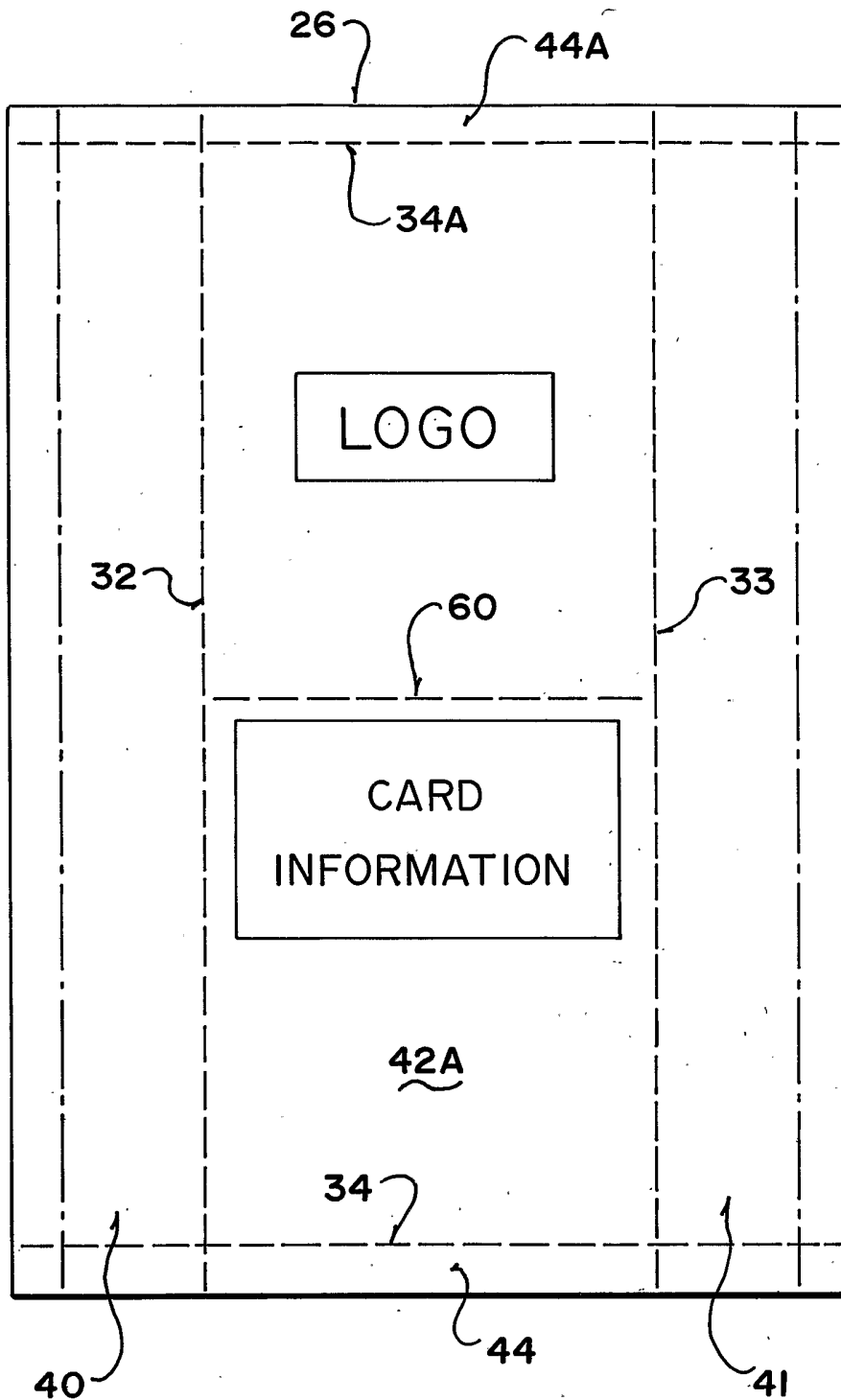


FIG. 8

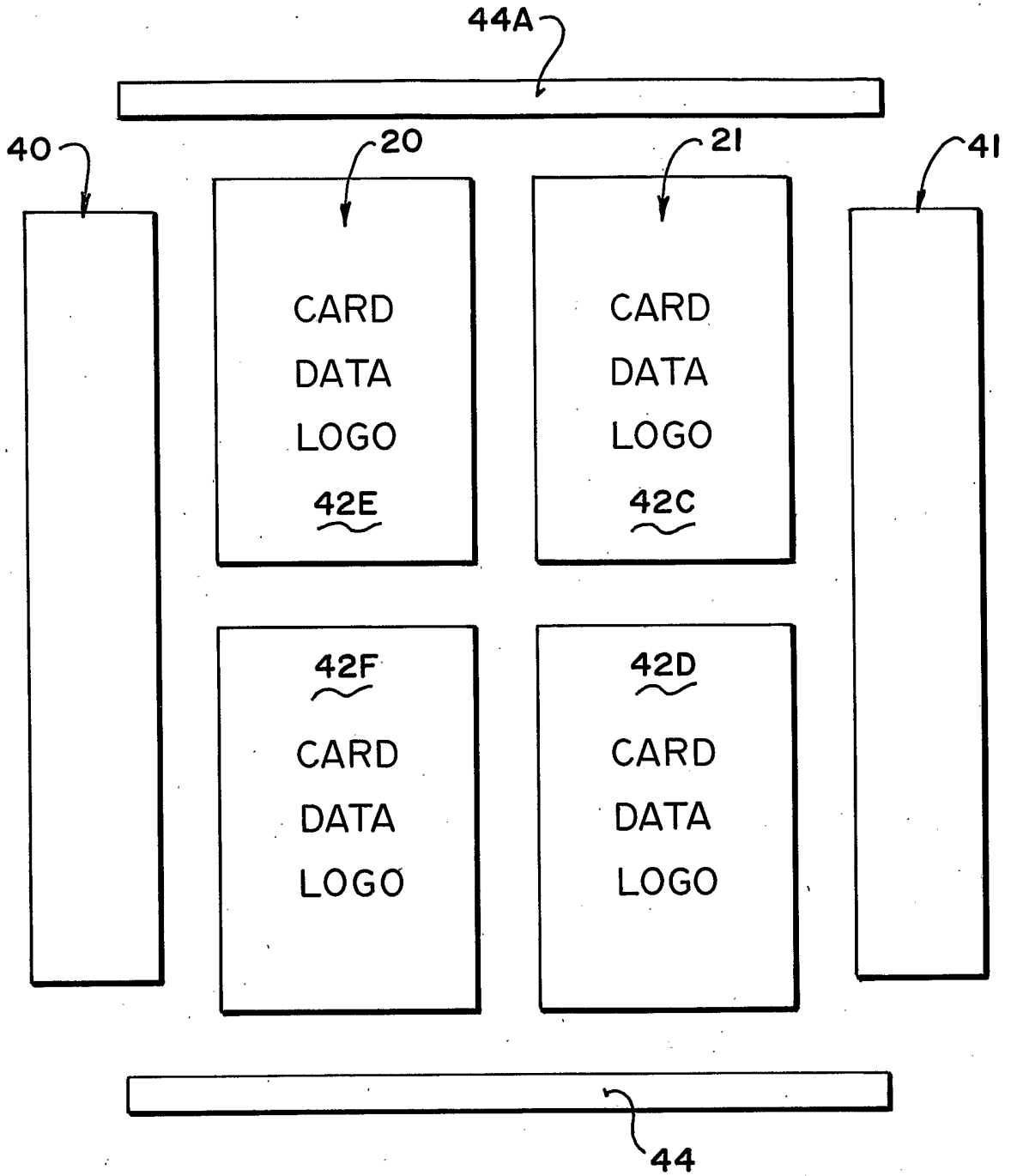


FIG. 9

INTERNATIONAL SEARCH REPORT

International application No.
PCT/CA2005/000660

A. CLASSIFICATION OF SUBJECT MATTER
 IPC(7): B42D 15/00, B65D 17/28, B65D 65/28, B65D 65/38

According to International Patent Classification (IPC) or to both national classification and IPC

B. FIELDS SEARCHED

Minimum documentation searched (classification system followed by classification symbols)
 IPC(7): B42D 15/00, B65D 17/28, 5/18, 5/20, 65/*, 75/52, 75/54, 75/58, 75/60, 75/62, 75/64, 67/00;
 USPC: 283/94, 100, 101

Documentation searched other than minimum documentation to the extent that such documents are included in the fields searched

Electronic database(s) consulted during the international search (name of database(s) and, where practicable, search terms used)
 Questel Orbit QWeb and QPat, Delphion
 Keywords: pack+, wrap+, tear, indicia, game, prize.

C. DOCUMENTS CONSIDERED TO BE RELEVANT

Category*	Citation of document, with indication, where appropriate, of the relevant passages	Relevant to claim No.
E	US 20050127602 A1 (SCRYMGEOUR, L. H. et al.) 16 June 2005 (16-06-2005) *Whole document*	1-29
A	CA 2421241 A1 (BRICKWOOD, M. J. et al.) 5 August 2003 (05-08-2003) *Whole document*	1-29
A	US 6234477 B1 (SCRYMGEOUR, L. H. et al.) 22 May 2001 (22-05-2001) *Cited by Applicant* *Abstract; Figs. 5, 6, 7*	1-29
A	CA 2229837 A1 (SUCH, D. A.) 19 August 1998 (19-08-1998) *Abstract; Fig. 1*	1-29
A	US 5217258 A (SANDERSON, J. H.) 8 June 1993 (08-06-1993) *Abstract; Fig. 3*	1-29
A	US 6053497 A (SUCH, D. A.) 25 April 2000 (25-04-2000) *Abstract; Fig. 1b*	1-29

Further documents are listed in the continuation of Box C. See patent family annex.

<p>* Special categories of cited documents :</p> <p>"A" document defining the general state of the art which is not considered to be of particular relevance</p> <p>"E" earlier application or patent but published on or after the international filing date</p> <p>"L" document which may throw doubts on priority claim(s) or which is cited to establish the publication date of another citation or other special reason (as specified)</p> <p>"O" document referring to an oral disclosure, use, exhibition or other means</p> <p>"P" document published prior to the international filing date but later than the priority date claimed</p>	<p>"T" later document published after the international filing date or priority date and not in conflict with the application but cited to understand the principle or theory underlying the invention</p> <p>"X" document of particular relevance; the claimed invention cannot be considered novel or cannot be considered to involve an inventive step when the document is taken alone</p> <p>"Y" document of particular relevance; the claimed invention cannot be considered to involve an inventive step when the document is combined with one or more other such documents, such combination being obvious to a person skilled in the art</p> <p>"&" document member of the same patent family</p>
--	---

Date of the actual completion of the international search	Date of mailing of the international search report
12 September 2005 (12-09-2005)	6 January 2006 (06-01-2006)

Name and mailing address of the ISA/CA Canadian Intellectual Property Office Place du Portage I, C114 - 1st Floor, Box PCT 50 Victoria Street Gatineau, Quebec K1A 0C9 Facsimile No.: 001(819)953-2476	Authorized officer Christian Opris (819) 934-4264
---	--

INTERNATIONAL SEARCH REPORT

Information on patent family members

International application No.
PCT/CA2005/000660

Patent Document Cited in Search Report	Publication Date	Patent Family Member(s)	Publication Date
US 2005127602 A1	16-06-2005	CA 2484108 A1	16-06-2005
CA 2421241 A1	05-08-2003	CA 2421241 C	04-01-2005
US 6234477 B1	22-05-2001	AU 763343 B2 AU 6679100 A BR 0014300 A CN 1174782 C EP 1216081 A1 WO 0123054 A1 ZA 200202420 A	17-07-2003 30-04-2001 21-05-2002 10-11-2004 26-06-2002 05-04-2001 13-10-2003
CA 2229837 A1	19-08-1998	CA 2229837 C	07-05-2002
US 5217258 A	08-06-1993	NONE	
US 6053497 A	25-04-2000	CA 2258139 A1	07-07-1999