



US00D801623S

(12) **United States Design Patent**  
**Wang**

(10) **Patent No.:** **US D801,623 S**

(45) **Date of Patent:** **\*\* Nov. 7, 2017**

(54) **PET FOOD**

(71) Applicant: **Mars, Incorporated**, McLean, VA (US)

(72) Inventor: **Yvonne Wang**, Franklin, TN (US)

(73) Assignee: **MARS, INCORPORATED**, McLean, VA (US)

(\*\*) Term: **15 Years**

(21) Appl. No.: **29/557,825**

(22) Filed: **Mar. 11, 2016**

(51) **LOC (10) Cl.** ..... **01-01**

(52) **U.S. Cl.**  
USPC ..... **D1/127**

(58) **Field of Classification Search**

USPC ..... D1/100-130, 199; 426/5, 76, 87, 92, 94,  
426/95, 99, 101, 103, 108, 138-139, 143,  
426/144, 279, 282, 283, 391, 514, 549,  
426/660; D13/100; D24/101-104;  
D28/8.1, 8.2; 424/467; 425/195;  
34/296; D6/601  
CPC .. A61K 9/2072; A61K 9/0004; A61K 9/2095;  
A61K 9/209

See application file for complete search history.

(56) **References Cited**

**U.S. PATENT DOCUMENTS**

D217,891 S \* 6/1970 Koenigsberg ..... D28/8.1  
D260,691 S \* 9/1981 Hines ..... D28/8.1  
D272,848 S \* 2/1984 Koziol ..... D11/89  
D285,729 S \* 9/1986 Tovey ..... D24/101  
D286,450 S \* 10/1986 Tovey ..... D24/101  
D296,193 S \* 6/1988 Keeler ..... D9/435  
D300,673 S \* 4/1989 Rhoa ..... D24/101  
D302,481 S \* 7/1989 Miller ..... D24/103  
D316,914 S \* 5/1991 Withington ..... D24/101  
D331,280 S \* 11/1992 Tovey ..... D24/101  
D346,442 S \* 4/1994 Kramer ..... D24/101  
D374,640 S \* 10/1996 Shryock ..... D11/143

D375,549 S \* 11/1996 Sauer ..... D24/101  
D376,644 S \* 12/1996 Dickinson ..... D24/101  
D407,463 S \* 3/1999 Outlaw ..... D23/207  
D414,895 S \* 10/1999 Olson ..... D1/100

(Continued)

*Primary Examiner* — Garth Rademaker

*Assistant Examiner* — Katie Stofko

(74) *Attorney, Agent, or Firm* — Arent Fox LLP

(57) **CLAIM**

The ornamental design for a pet food, as shown and described.

**DESCRIPTION**

FIG. 1 is a perspective view of a first embodiment of a pet food showing our new design;

FIG. 2 is a front view of the design shown of FIG. 1, the back being a mirror image thereof;

FIG. 3 is a left side view of the design shown of FIG. 1, the right side view being a mirror image thereof;

FIG. 4 is a top view of the design shown of FIG. 1, the bottom view being a mirror image thereof;

FIG. 5 is a perspective view of a second embodiment of a pet food showing our new design;

FIG. 6 is a front view of the design shown of FIG. 5, the back being a mirror image thereof;

FIG. 7 is a left side view of the design shown of FIG. 5, the right side view being a mirror image thereof;

FIG. 8 is a top view of the design shown of FIG. 5, the bottom view being a mirror image thereof;

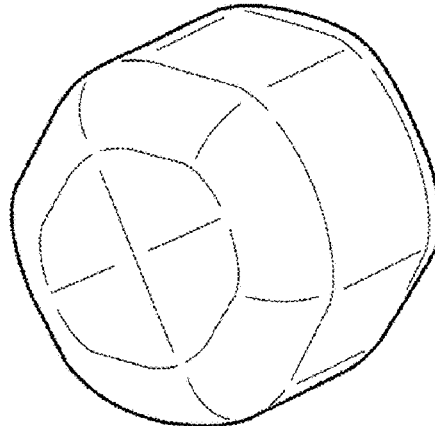
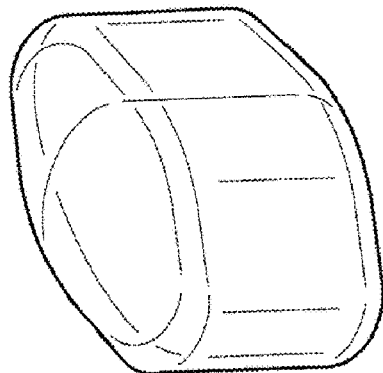
FIG. 9 is a perspective view of a third embodiment of a pet food showing our new design;

FIG. 10 is a front view of the design shown of FIG. 9, the back being a mirror image thereof;

FIG. 11 is a left side view of the design shown of FIG. 9, the right side view being a mirror image thereof; and,

FIG. 12 is a top view of the design shown of FIG. 9, the bottom view being a mirror image thereof.

**1 Claim, 3 Drawing Sheets**



(56)

**References Cited**

U.S. PATENT DOCUMENTS

D419,262	S	*	1/2000	Klaers	.....	D28/8.1
D420,464	S	*	2/2000	Binstock	.....	D28/8.1
D428,668	S	*	7/2000	Binstock	.....	D28/8.1
D443,688	S	*	6/2001	Holland	.....	D24/101
D510,174	S	*	10/2005	Richey	.....	D1/127
D748,240	S	*	1/2016	Goode	.....	D24/101

\* cited by examiner

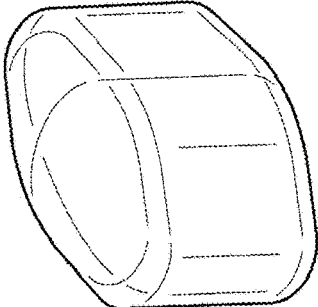


FIG. 1

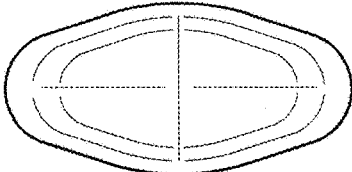


FIG. 2

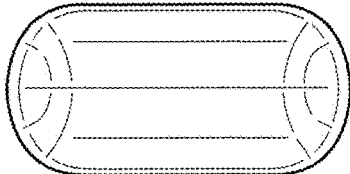


FIG. 3

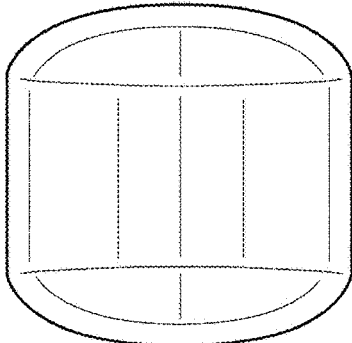


FIG. 4

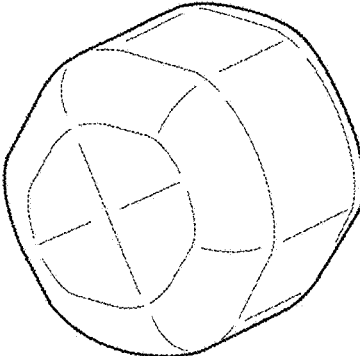


FIG. 5

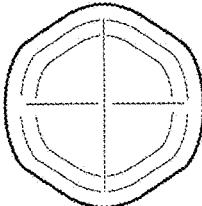


FIG. 6

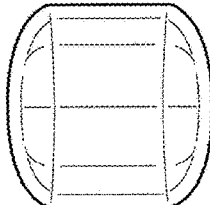


FIG. 7

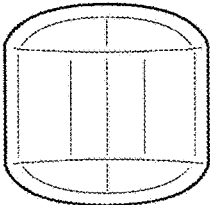


FIG. 8

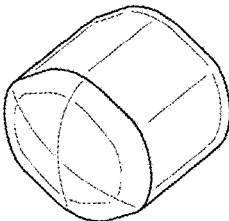


FIG. 9

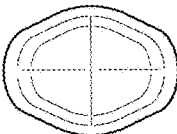


FIG. 10



FIG. 11

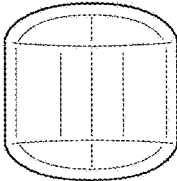


FIG. 12