



US00D743079S

(12) **United States Design Patent**
Adair

(10) **Patent No.:** **US D743,079 S**

(45) **Date of Patent:** **** Nov. 10, 2015**

(54) **SOLAR POWERED GROUND LIGHT**

(71) Applicant: **Herman N. Philhower, as Trustee of the H N Philhower Family Trust (last dated Oct. 31, 2012)**, Cypress, CA (US)

(72) Inventor: **Robin Charles Adair**, Huntington Beach, CA (US)

(73) Assignee: **Herman N. Philhower**, Cypress, CA (US), as Trustee of the H N Philhower Family Trust Last Dated Oct. 31, 2012

(**) Term: **14 Years**

(21) Appl. No.: **29/478,402**

(22) Filed: **Jan. 4, 2014**

(51) **LOC (10) Cl.** **26-05**

(52) **U.S. Cl.**

USPC **D26/67**

(58) **Field of Classification Search**

USPC D26/2, 28, 67, 68, 74, 80, 89, 123, 124, D26/138, 139; 362/153, 153.1

CPC F21S 8/033; F21S 8/04; F21S 9/02; F21S 8/022; F21S 9/037; F21L 13/00

See application file for complete search history.

(56) **References Cited**

U.S. PATENT DOCUMENTS

1,199,767	A *	10/1916	Dole	362/354
4,744,014	A *	5/1988	Harris	F21S 8/022 362/145
5,450,300	A *	9/1995	Rector, Jr.	362/153.1
D392,407	S *	3/1998	Johnson et al.	D26/67
5,785,410	A *	7/1998	Branson, Sr.	362/153.1
5,908,236	A *	6/1999	Lueken	F21S 8/022 362/153
5,951,144	A *	9/1999	Gavigan	F21S 8/022 362/145
6,334,695	BI *	1/2002	Abe et al.	362/153.1
D457,677	S *	5/2002	Landefeld et al.	D26/67

D469,211	S *	1/2003	Homann	D26/118
6,685,333	BI *	2/2004	Bieberdorf	F21S 8/022 362/153.1
7,201,490	BI *	4/2007	Bieberdorf et al.	362/153
D574,104	S *	7/2008	Sanoner	D26/67
7,476,006	B2 *	1/2009	Hinds	362/286
D601,744	S *	10/2009	Sakuma	D26/89
D616,129	S *	5/2010	Sanoner	D26/67
7,722,216	B2 *	5/2010	Amor et al.	362/249.01
D635,044	S *	3/2011	Macey	D10/109.1
D654,214	S *	2/2012	Huang	D26/139
D656,262	S *	3/2012	Yoshinobu et al.	D26/74
8,128,254	B2 *	3/2012	Laenen et al.	362/153.1
D668,380	S *	10/2012	May	D26/139
D670,855	S *	11/2012	Turner	D26/123
D671,668	S *	11/2012	Rowlette et al.	D26/74
8,425,076	B2 *	4/2013	Lockwood et al.	362/153.1
D695,927	S *	12/2013	Anderson et al.	D26/2
D699,387	S *	2/2014	Snell et al.	D26/124
D712,082	S *	8/2014	Harpenau et al.	D26/74
D726,950	S *	4/2015	Serwacki et al.	D26/74
2001/0017775	A1 *	8/2001	Reinert, Sr.	362/153

(Continued)

Primary Examiner — Clare E Heflin

(74) *Attorney, Agent, or Firm* — Curtis L. Harrington; Harrington & Harrington

(57) **CLAIM**

The ornamental design for a solar powered ground light, as shown and described.

DESCRIPTION

FIG. 1 is a perspective view of a solar powered ground light showing my new design;

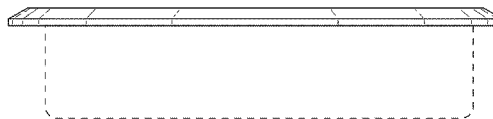
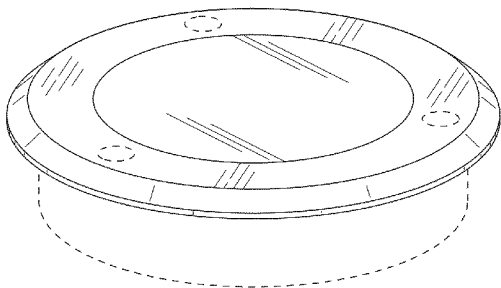
FIG. 2 is a front side view thereof, the right side view, the left side view and the rear side view being identical to the front side view;

FIG. 3 is a top view thereof; and,

FIG. 4 is a bottom view thereof.

In the drawings, the broken lines depicting potential lower housing volumes depict environmental subject matter that forms no part of the claimed design.

1 Claim, 2 Drawing Sheets



(56)

References Cited

U.S. PATENT DOCUMENTS

2007/0014102	A1 *	1/2007	Drane	H02G 3/20 362/153	2010/0061097	A1 *	3/2010	Krogman	362/240 F21S 8/022 362/249.03
2007/0268705	A1 *	11/2007	Von Preyss	F21S 8/022 362/306	2012/0134143	A1 *	5/2012	Lederer	F21S 9/037 362/183
2009/0059572	A1 *	3/2009	Wang	F21S 9/037 362/183	2013/0027918	A1 *	1/2013	White	F21S 9/037 362/157
2010/0008089	A1 *	1/2010	Kobinata	F21S 8/02	2014/0218900	A1 *	8/2014	Adair	F21S 9/037 362/183

* cited by examiner

Fig. 1

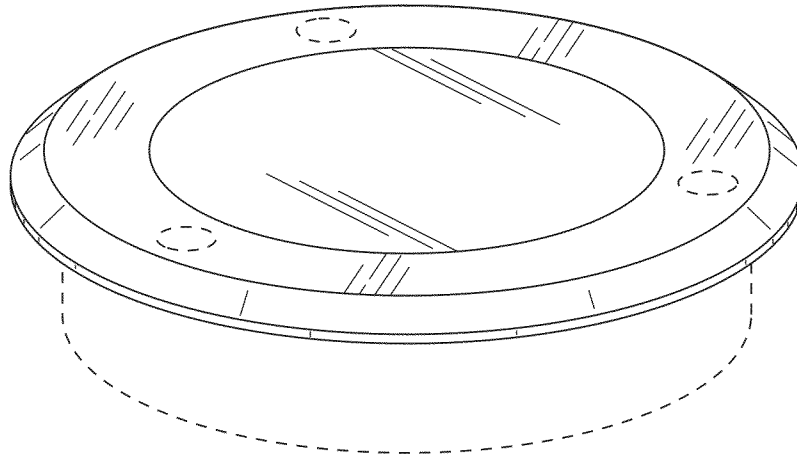


Fig. 2

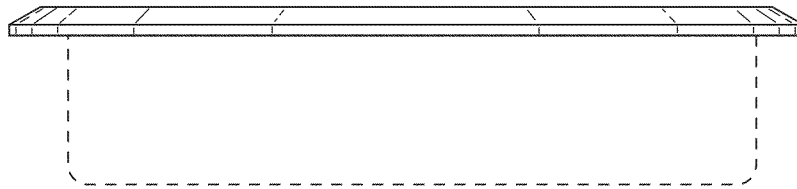


Fig. 3

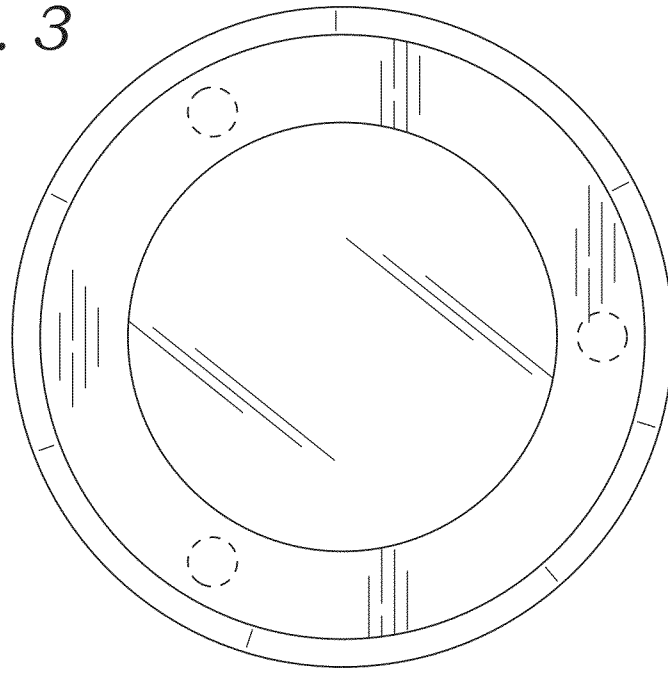


Fig. 4

