



US00D899700S

(12) **United States Design Patent**
Whitehead

(10) **Patent No.:** **US D899,700 S**

(45) **Date of Patent:** **** Oct. 20, 2020**

- (54) **FACE SHIELD**
- (71) Applicant: **MEDSPEC LLC**, Bellevue, WA (US)
- (72) Inventor: **Scott Whitehead**, Bellevue, WA (US)
- (73) Assignee: **MEDSPEC LLC**, Bellevue, WA (US)
- (**) Term: **15 Years**
- (21) Appl. No.: **29/731,638**
- (22) Filed: **Apr. 16, 2020**
- (51) **LOC (12) Cl.** **29-02**
- (52) **U.S. Cl.**
USPC **D29/110**
- (58) **Field of Classification Search**
USPC D29/109-110, 122, 104-105, 107;
D24/110.2
CPC A41D 13/1184; A42B 3/225
See application file for complete search history.

- 2012/0291173 A1* 11/2012 Gleason A41D 13/1184
2/10
- 2013/0031693 A1* 2/2013 Gleason A42B 3/225
2/9
- 2014/0256865 A1* 9/2014 Boulton A42B 3/225
524/406
- 2015/0237931 A1* 8/2015 Miller A41D 13/1184
2/9
- 2015/0335093 A1* 11/2015 Curci A42B 3/225
2/424

* cited by examiner

Primary Examiner — Robert A Delehanty
(74) *Attorney, Agent, or Firm* — Foster Garvey PC

(57) **CLAIM**

I claim the ornamental design for a face shield, as shown and described.

DESCRIPTION

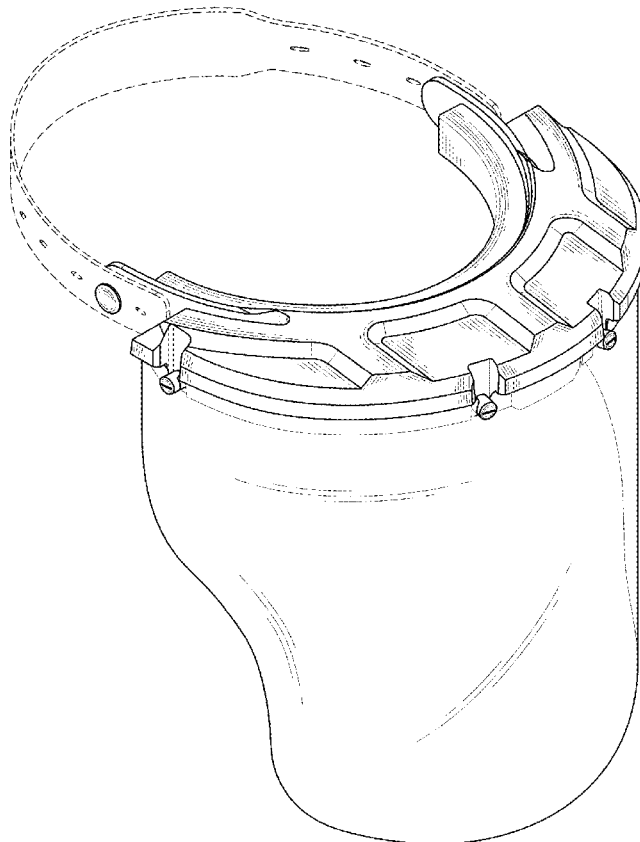
FIG. 1 is an isometric perspective view of a face shield;
FIG. 2 is a front view of the face shield;
FIG. 3 is a back view of the face shield;
FIG. 4 is a right side view of the face shield;
FIG. 5 is a left side view of the face shield;
FIG. 6 is a top view of the face shield; and,
FIG. 7 is a bottom view of the face shield.

1 Claim, 7 Drawing Sheets

(56) **References Cited**

U.S. PATENT DOCUMENTS

- 2,610,323 A * 9/1952 Johnson A61F 9/025
2/8.1
- D254,638 S * 4/1980 Bay, Jr. D29/109
- 5,647,060 A * 7/1997 Lee A41D 13/11
128/857
- D652,574 S * 1/2012 Stoll D29/108



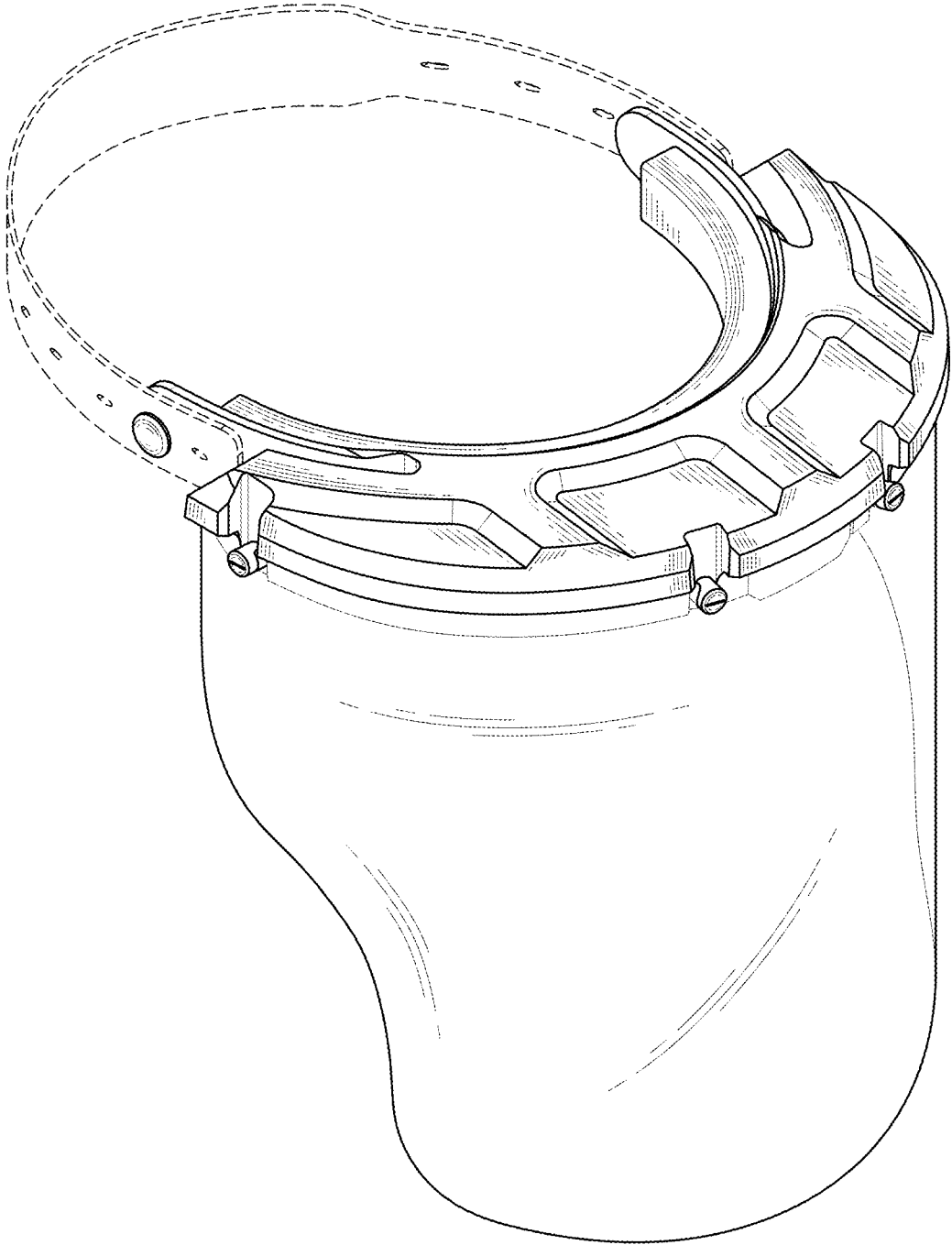


FIG. 1

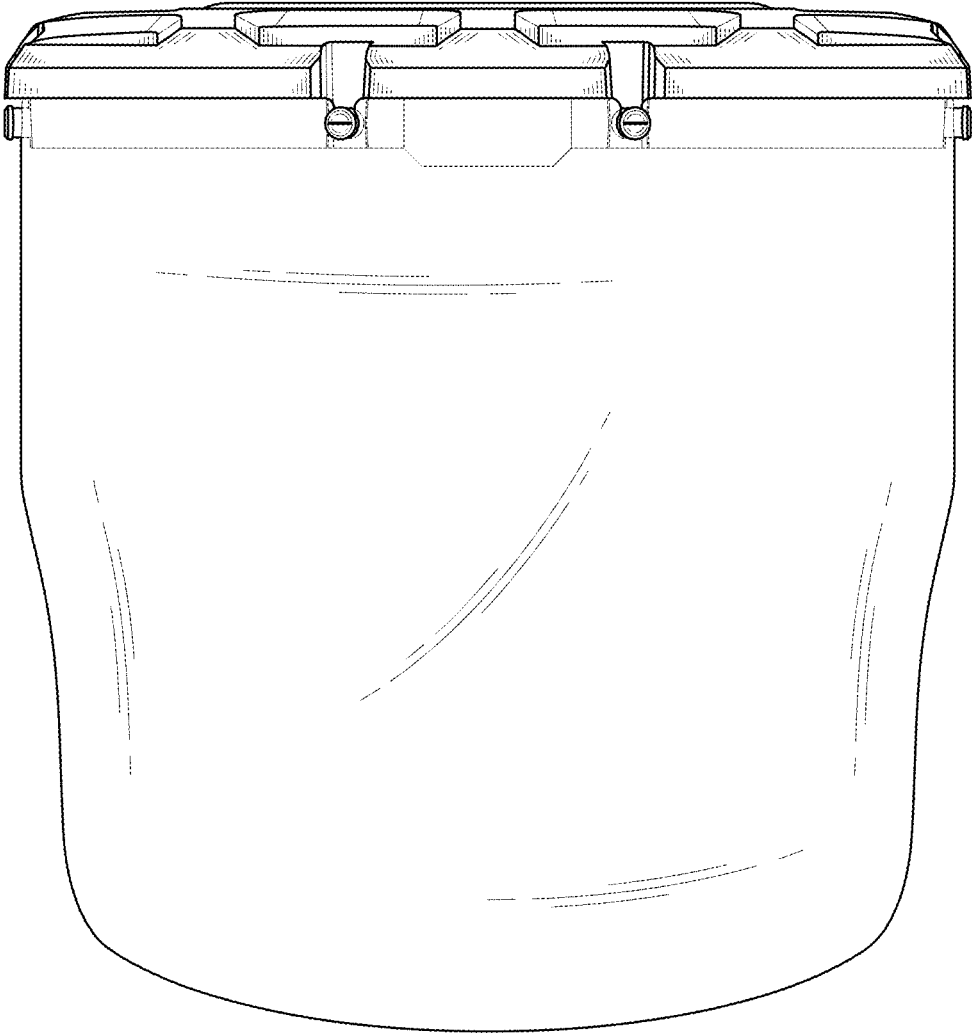


FIG. 2

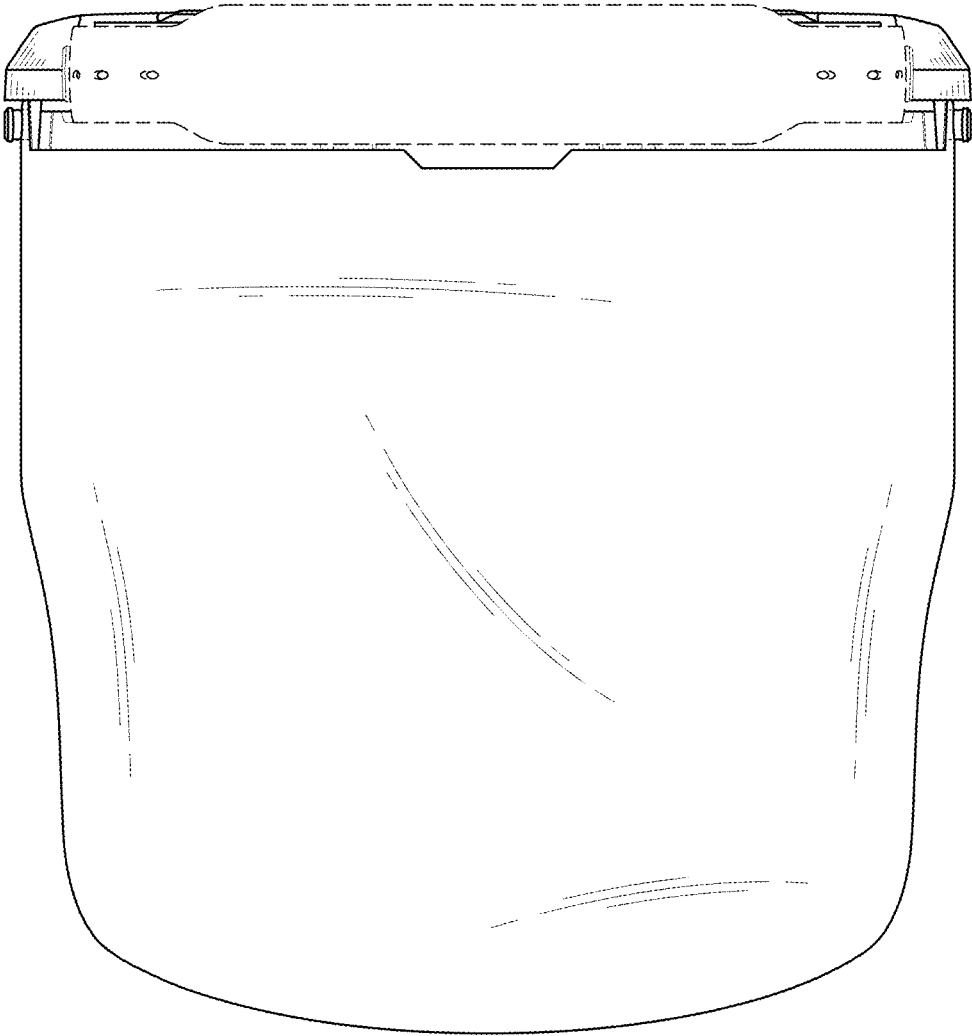


FIG. 3

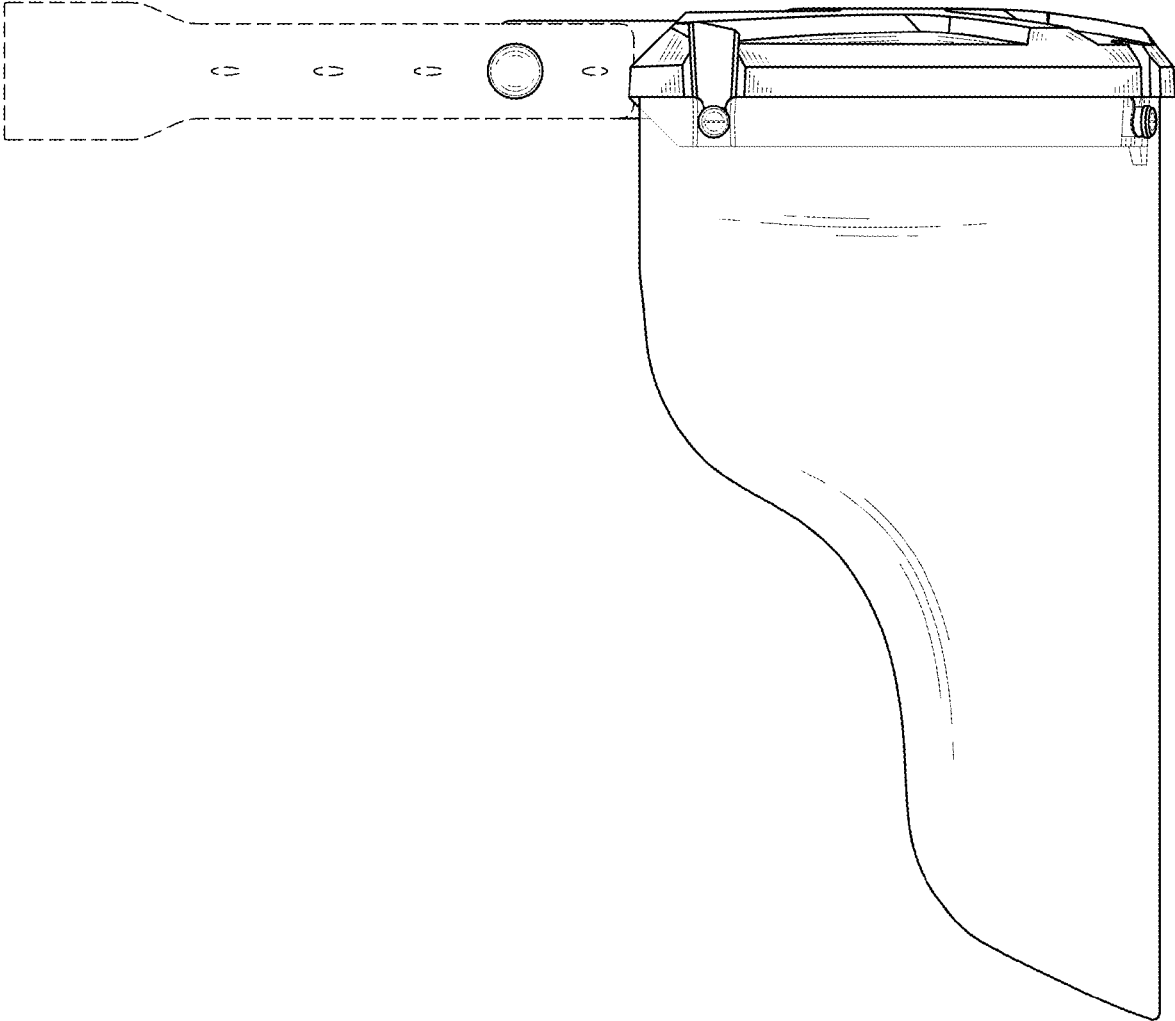


FIG. 4

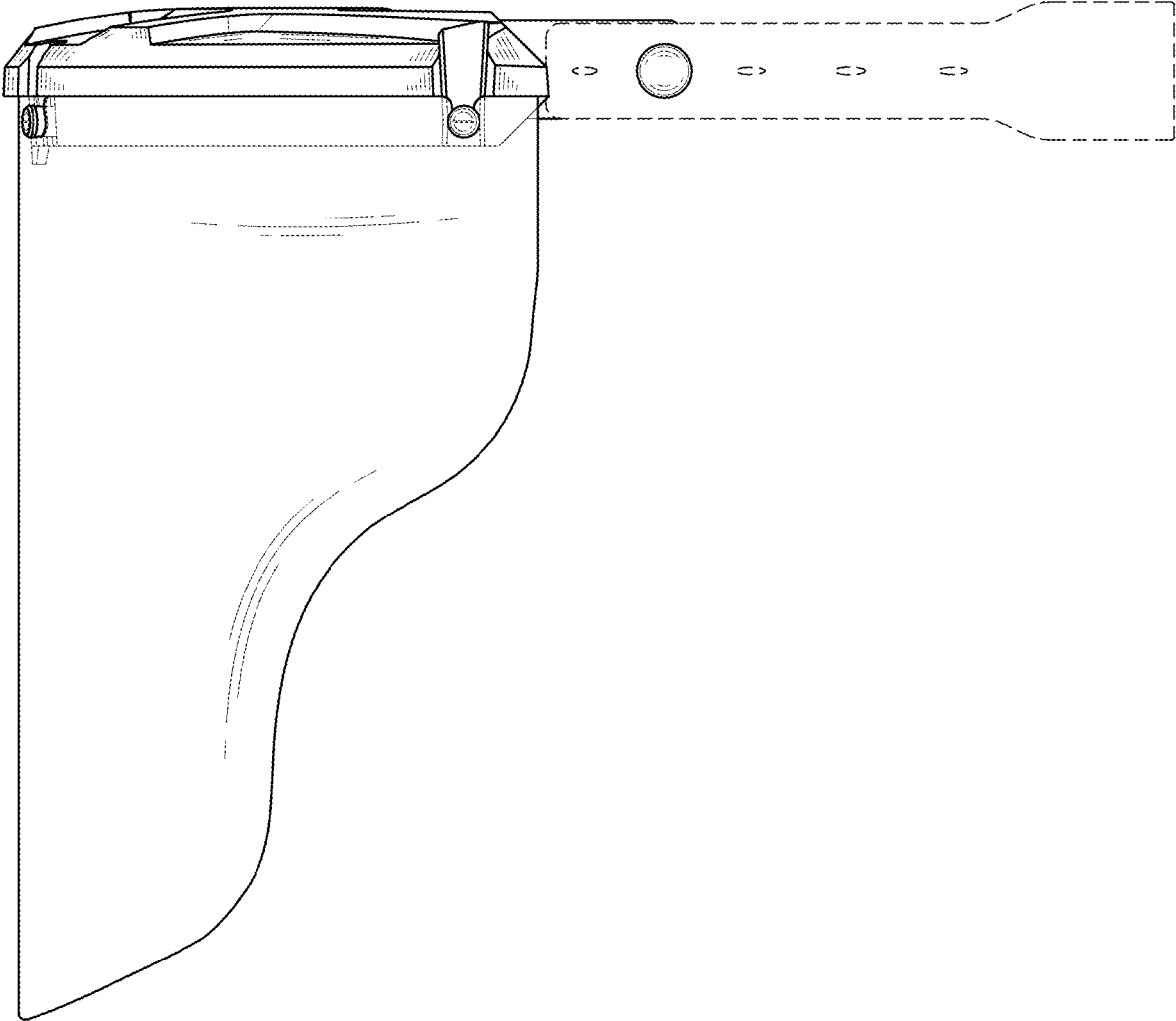


FIG. 5

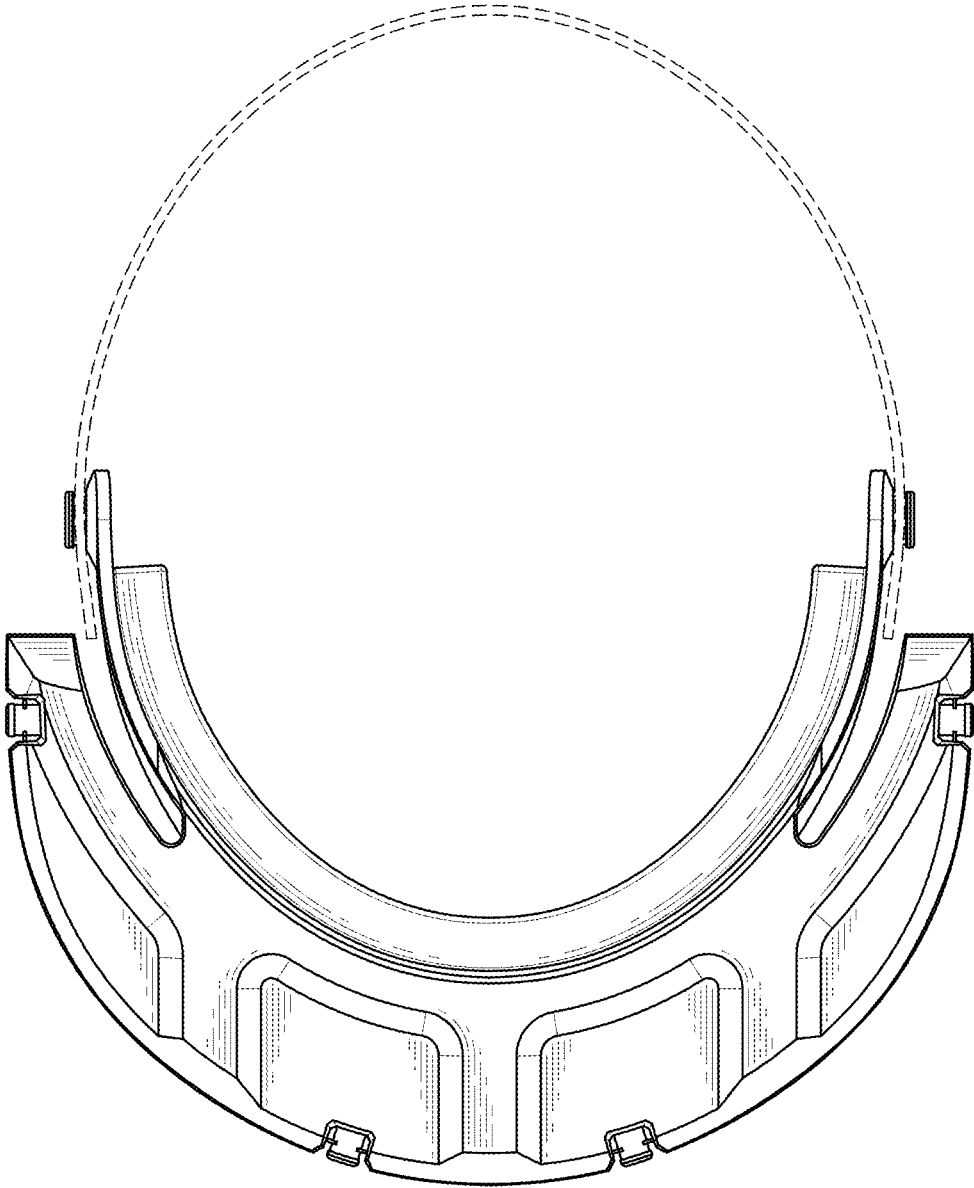


FIG. 6

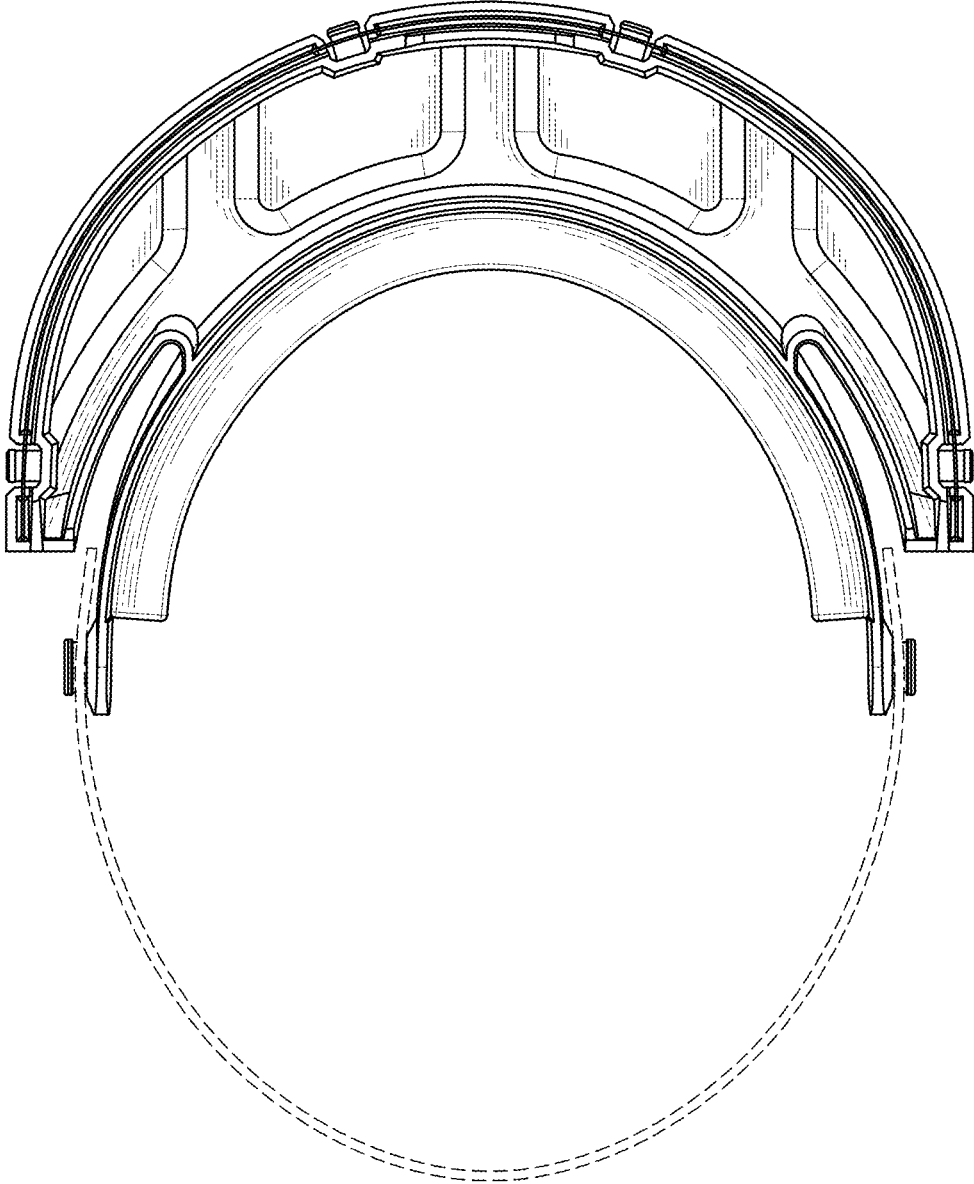


FIG. 7