



US00D559664S

(12) **United States Design Patent**  
**Austin et al.**

(10) **Patent No.:** **US D559,664 S**

(45) **Date of Patent:** **\*\* Jan. 15, 2008**

(54) **SHELF BRACKET**

D509,393 S \* 9/2005 Winig et al. .... D6/574  
D545,595 S \* 7/2007 Roleder et al. .... D6/491

(75) Inventors: **Douglas MacArthur Austin**,  
Winston-Salem, NC (US); **Earl David**  
**Forrest**, Asheboro, NC (US)

\* cited by examiner

(73) Assignee: **Liberty Hardware Mfg. Corp.**,  
Winston-Salem, NC (US)

*Primary Examiner*—Gary D. Watson  
*Assistant Examiner*—Susan Bennett Hattan  
(74) *Attorney, Agent, or Firm*—Edgar A. Zarins; Lloyd D.  
Doigan

(\*\*) Term: **14 Years**

(57) **CLAIM**

(21) Appl. No.: **29/285,799**

The ornamental design for a shelf bracket, as shown and described.

(22) Filed: **Apr. 11, 2007**

(51) **LOC (8) Cl.** ..... **08-05**

(52) **U.S. Cl.** ..... **D8/381**

(58) **Field of Classification Search** ..... D8/381,  
D8/380, 373, 363, 354, 349; D23/304; D14/452,  
D14/451, 447, 251, 238, 229, 224, 209; D12/415;  
4/574.1, 571.1; 248/309.1, 291.1, 284.1,  
248/240, 124.1; D25/114, 115, 118, 152,  
D25/156; D6/574, 579, 505, 495, 492, 491  
See application file for complete search history.

**DESCRIPTION**

FIG. 1 is a perspective view of a shelf bracket showing our new design;

FIG. 2 is a first side view thereof;

FIG. 3 is a second side view thereof;

FIG. 4 is front view thereof;

FIG. 5 is a top plan view thereof; and,

FIG. 6 is a rear view thereof.

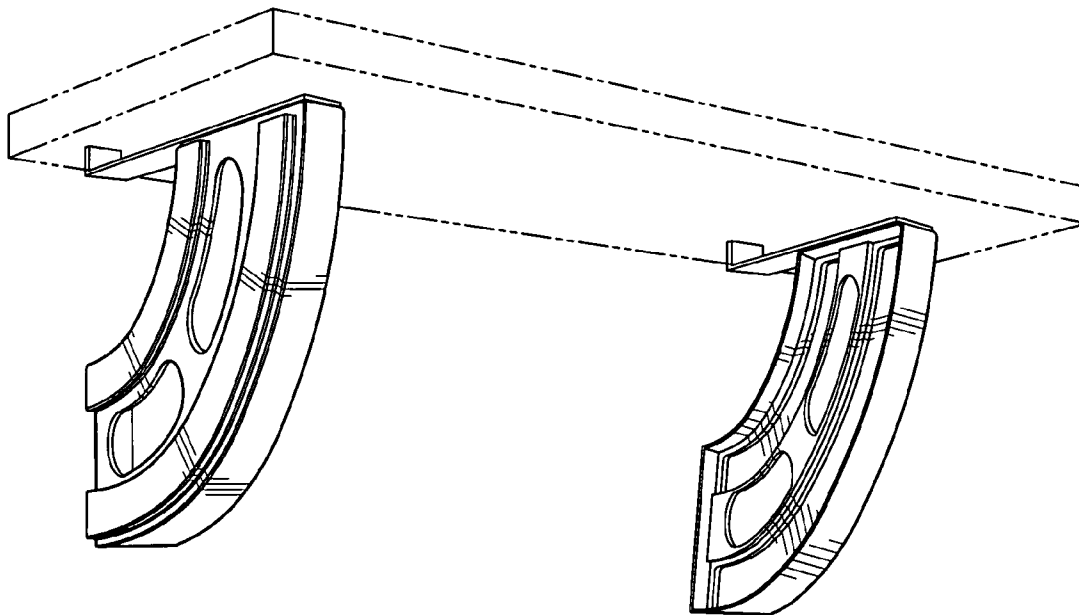
The broken lines in the drawings depict environmental subject matter only and form no part of the claimed design.

(56) **References Cited**

U.S. PATENT DOCUMENTS

D475,221 S \* 6/2003 Chang ..... D6/492  
D495,594 S \* 9/2004 Gibson ..... D8/381

**1 Claim, 2 Drawing Sheets**



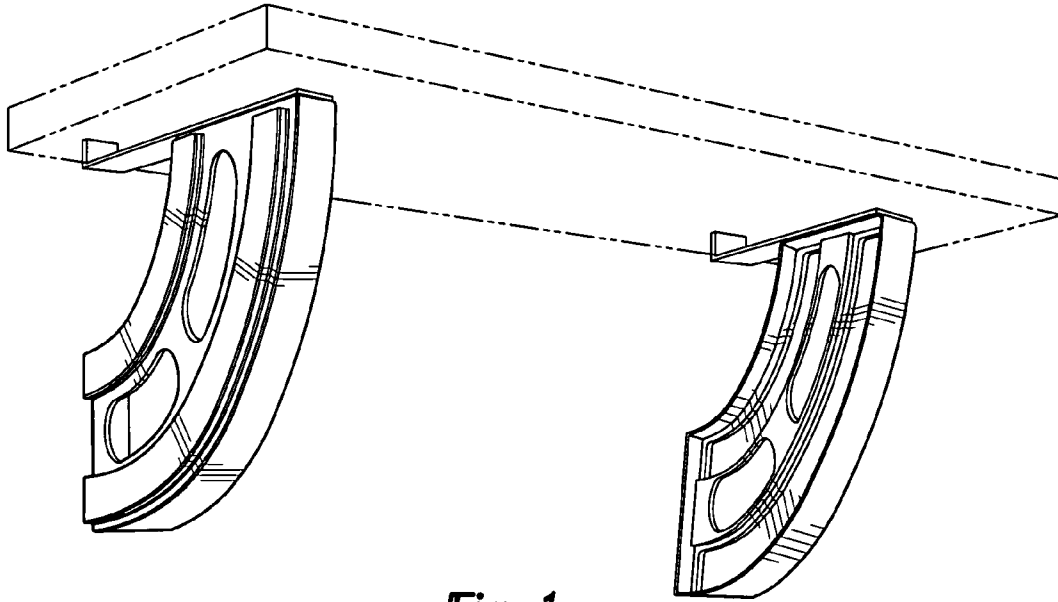


Fig-1

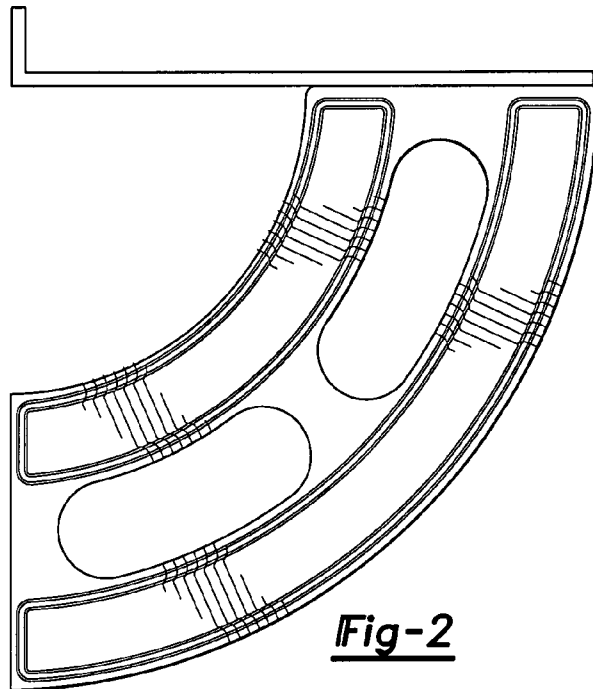


Fig-2

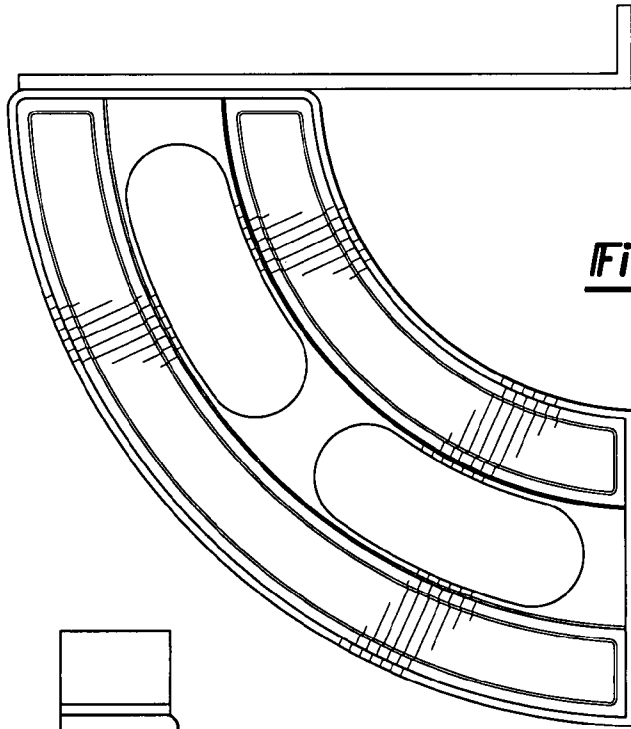


Fig-3

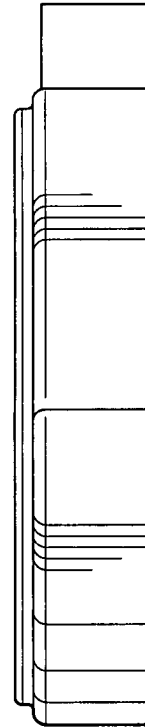


Fig-4

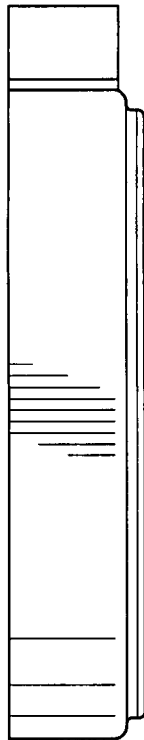


Fig-6

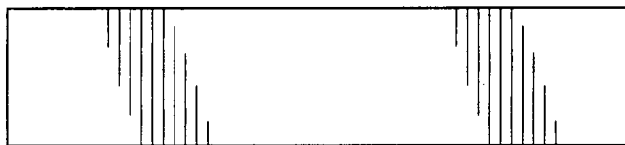


Fig-5