



US00D800840S

(12) **United States Design Patent** (10) **Patent No.:** **US D800,840 S**  
**McPhillips** (45) **Date of Patent:** **\*\* Oct. 24, 2017**

(54) **PANEL CONNECTOR**

FOREIGN PATENT DOCUMENTS

(71) Applicant: **Atomic Design Inc.**, Lititz, PA (US)

AU 2012261483 A1 6/2013  
CA 1263233 A1 11/1989

(72) Inventor: **Thomas McPhillips**, Manheim, PA (US)

(Continued)

(73) Assignee: **Atomic Design Inc.**, Lititz, PA (US)

OTHER PUBLICATIONS

(\*\*) Term: **15 Years**

Installation Instructions for Pillow Wall, by Atomic, www.atomicrental.tv, (717-626-4408), dated Nov. 25, 2013, 1 page.

(21) Appl. No.: **29/530,799**

(Continued)

(22) Filed: **Jun. 19, 2015**

*Primary Examiner* — Mary Ann Calabrese

(51) **LOC (10) Cl.** ..... **20-99**

(74) *Attorney, Agent, or Firm* — Barley Snyder

(52) **U.S. Cl.**

(57) **CLAIM**

USPC ..... **D20/99**

The ornamental design for a panel connector, as shown and described.

(58) **Field of Classification Search**

**DESCRIPTION**

USPC ..... D20/10, 19, 43, 99; D8/349  
CPC . G09F 3/0395; G09F 7/18; G09F 7/20; G09F 2007/1847; G09F 2007/1856; G09F 2007/1873; G09F 2007/1891; A47B 11/00; A47F 5/10; A47F 5/0823; A45B 25/12; F16M 11/10

FIG. 1 is a top, front and right side perspective view of a panel connector, showing the new design;  
FIG. 2 is a top, rear, and left side perspective view thereof;  
FIG. 3 is another top, rear, and left side perspective view thereof;

See application file for complete search history.

FIG. 4 is a top plan view thereof;  
FIG. 5 is a bottom plan view thereof;  
FIG. 6 is a rear elevation view thereof;  
FIG. 7 is a front elevation view thereof;  
FIG. 8 is a right side elevation view thereof;  
FIG. 9 is a left side elevation view thereof;  
FIG. 10 is a bottom, front and right side perspective view thereof; and,  
FIG. 11 is a top, front and right side exploded perspective view thereof.

(56) **References Cited**

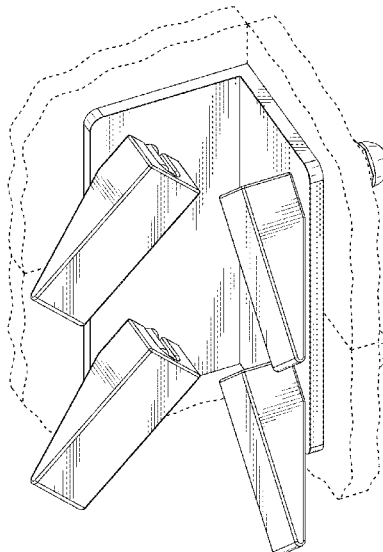
The broken lines shown in the Figures are included to show unclaimed subject matter only and form no part of the claimed design.

U.S. PATENT DOCUMENTS

1,525,515 A 2/1925 Socha  
2,692,689 A 10/1954 Wynne, Sr.  
2,970,396 A 2/1961 Worrell  
3,426,913 A 2/1969 Abatiell, Jr.  
3,537,199 A 11/1970 Lawson  
3,571,999 A 3/1971 Downing  
3,593,474 A 7/1971 Neels  
3,596,701 A 8/1971 Cowan  
3,936,111 A 2/1976 Mazzuconi  
4,001,987 A 1/1977 Coulthard  
4,114,160 A 9/1978 Verini  
4,807,837 A 2/1989 Gawlik et al.

(Continued)

**1 Claim, 10 Drawing Sheets**



(56)

References Cited

U.S. PATENT DOCUMENTS

5,036,641 A 8/1991 Viry  
 5,061,018 A 10/1991 Pederson et al.  
 5,320,322 A \* 6/1994 Williams ..... G09F 7/18  
 116/173  
 5,344,115 A 9/1994 Mayne et al.  
 5,374,024 A \* 12/1994 Williams ..... G09F 7/18  
 116/173  
 5,478,041 A 12/1995 Mayne  
 5,671,852 A 9/1997 Maharg  
 5,722,477 A 3/1998 Richter et al.  
 5,993,287 A 11/1999 Melashenko et al.  
 6,340,046 B1 1/2002 Basseches  
 6,370,803 B1 4/2002 Burquest  
 6,419,332 B1 7/2002 Caldwell, Jr. et al.  
 6,698,124 B2 \* 3/2004 Kump ..... A47F 5/0823  
 248/220.41  
 6,702,640 B1 3/2004 Park  
 6,718,709 B2 4/2004 Koutras et al.  
 6,758,454 B2 \* 7/2004 Smed ..... F16M 11/10  
 248/278.1  
 6,789,774 B2 \* 9/2004 Painchaud ..... A45B 25/12  
 248/229.14  
 6,983,853 B1 1/2006 Fickett  
 D618,282 S 6/2010 Kosir  
 7,874,090 B2 1/2011 Flagg  
 D634,745 S 3/2011 Park et al.  
 8,069,632 B2 12/2011 Li  
 8,083,189 B2 12/2011 Sun et al.  
 D708,504 S 7/2014 Kaplan  
 D709,203 S 7/2014 Shikata  
 D723,624 S 3/2015 McPhillips  
 D736,858 S 8/2015 McPhillips  
 D756,463 S \* 5/2016 McPhillips ..... D20/42  
 2002/0036908 A1 3/2002 Pederson  
 2002/0154789 A1 10/2002 Rodgers  
 2003/0000904 A1 1/2003 Lung et al.

2003/0192271 A1 10/2003 Koutras et al.  
 2004/0035987 A1 2/2004 Oddsen, Jr.  
 2004/0089782 A1 5/2004 Eliason et al.  
 2007/0107853 A1 5/2007 Hsieh  
 2009/0134285 A1 5/2009 Huang  
 2009/0196034 A1 8/2009 Gherardini et al.  
 2010/0083544 A1 \* 4/2010 Shirley ..... G09F 1/10  
 40/584  
 2012/0169999 A1 7/2012 Cavendish et al.  
 2014/0183309 A1 7/2014 Pasho  
 2014/0197123 A1 7/2014 McPhillips  
 2014/0197124 A1 \* 7/2014 McPhillips ..... G09F 19/228  
 211/195  
 2016/0367050 A1 \* 12/2016 McPhillips ..... G09F 15/0068

FOREIGN PATENT DOCUMENTS

DE 8517546.3 U1 1/1985  
 DE 29820223 U1 2/1999  
 DE 10138986 A 3/2003  
 DE 102011015351 A1 10/2012  
 EP 1995508 A2 11/2008  
 FR 2851442 A1 2/2003

OTHER PUBLICATIONS

PCT Notification, International Search Report and Written Opinion, International Application No. PCT/US2014/011055, dated Jun. 2, 2014, 10 pages.  
 PCT Notification, International Search Report, International Application No. PCT/US2014/061074, dated Feb. 25, 2015, 12 pages.  
 PCT Notification and International Preliminary Report on Patentability, Application No. PCT/US2014/011055, dated Jul. 14, 2015, 7 pages.  
 PCT Notification, International Search Report and Written Opinion of the International Search Authority, Intl. App. No. PCT/US2015/031782, dated Aug. 14, 2015, 11 pages.

\* cited by examiner

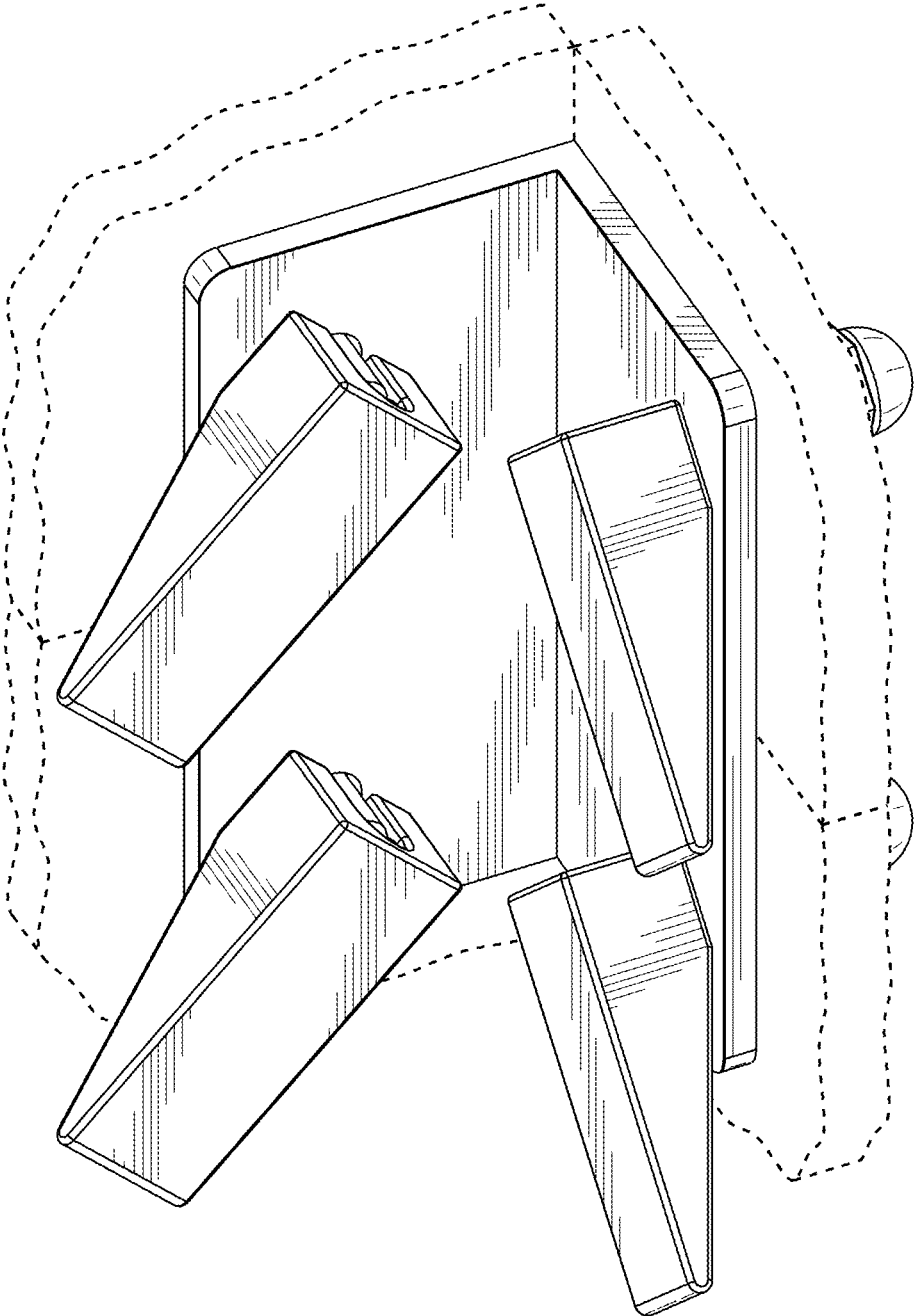


FIG. 1

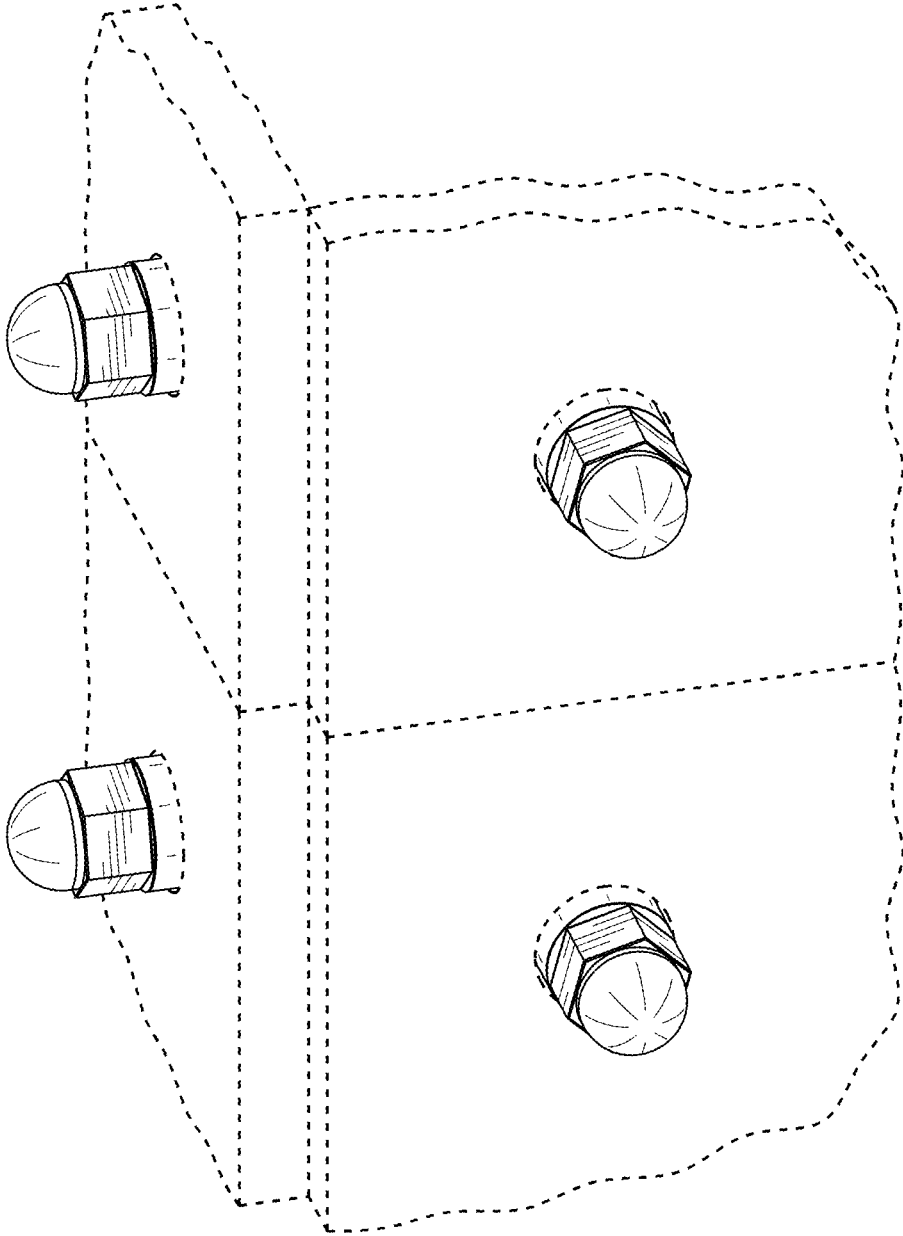


FIG. 2

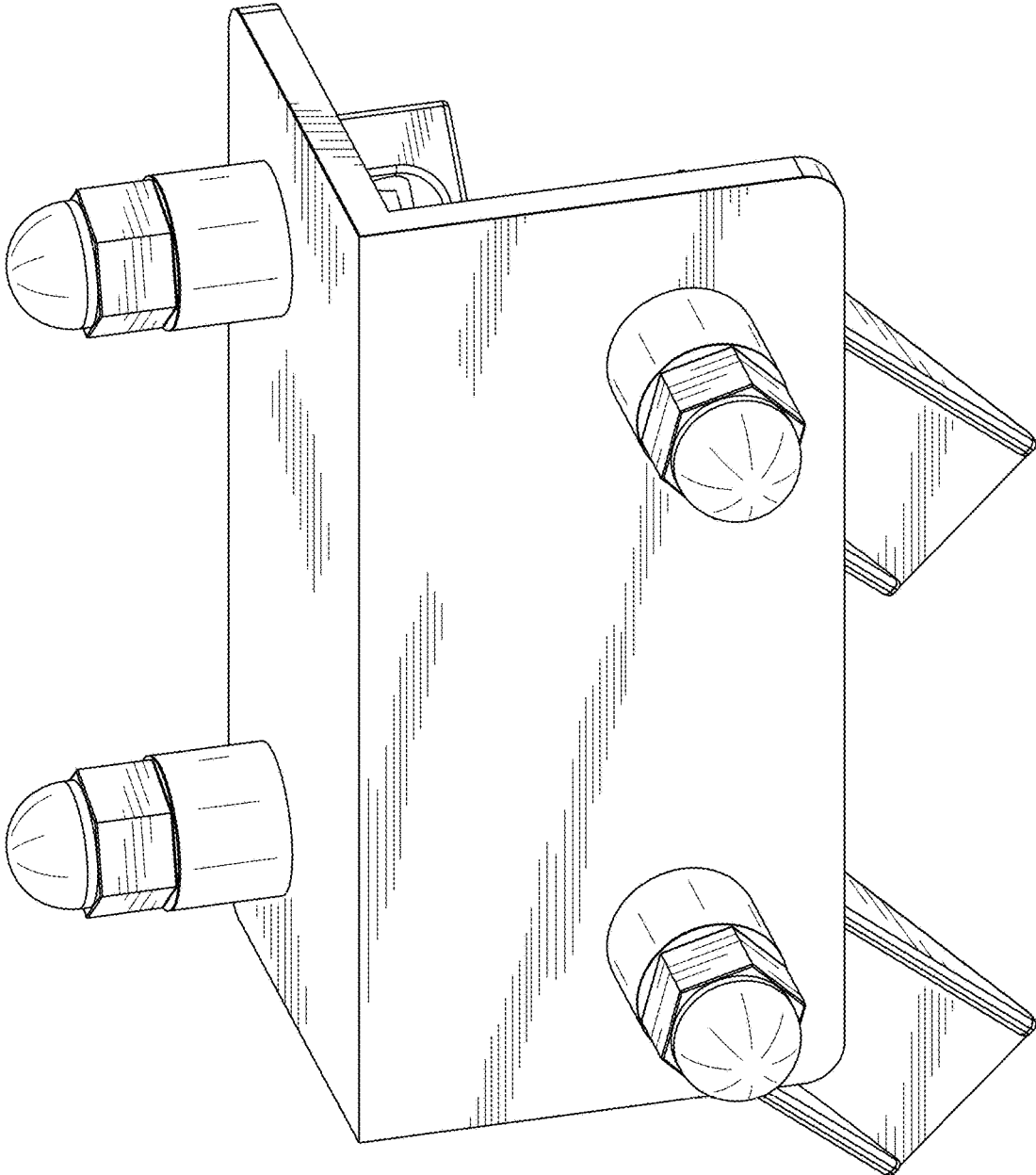


FIG. 3

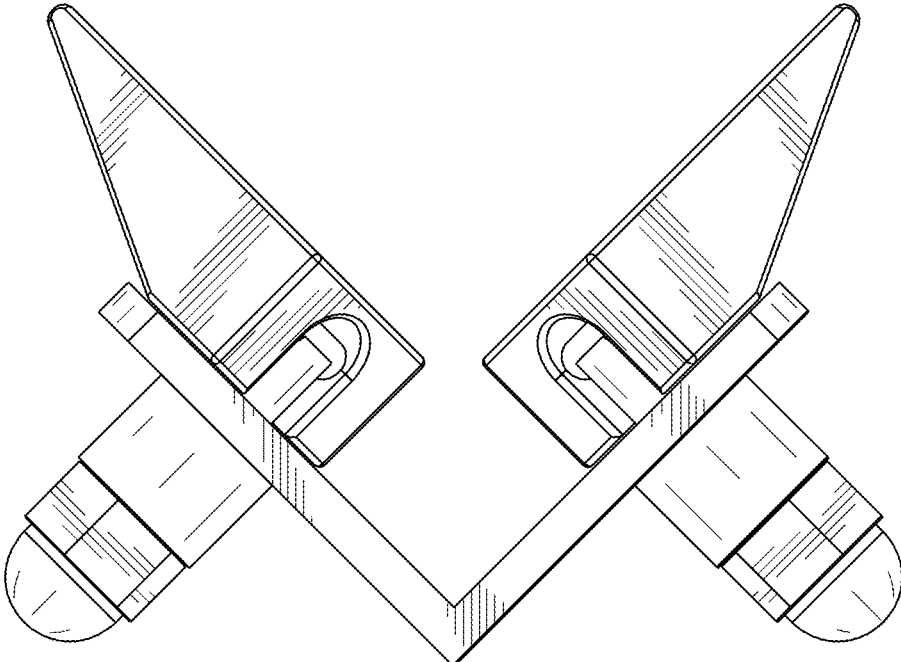


FIG. 4

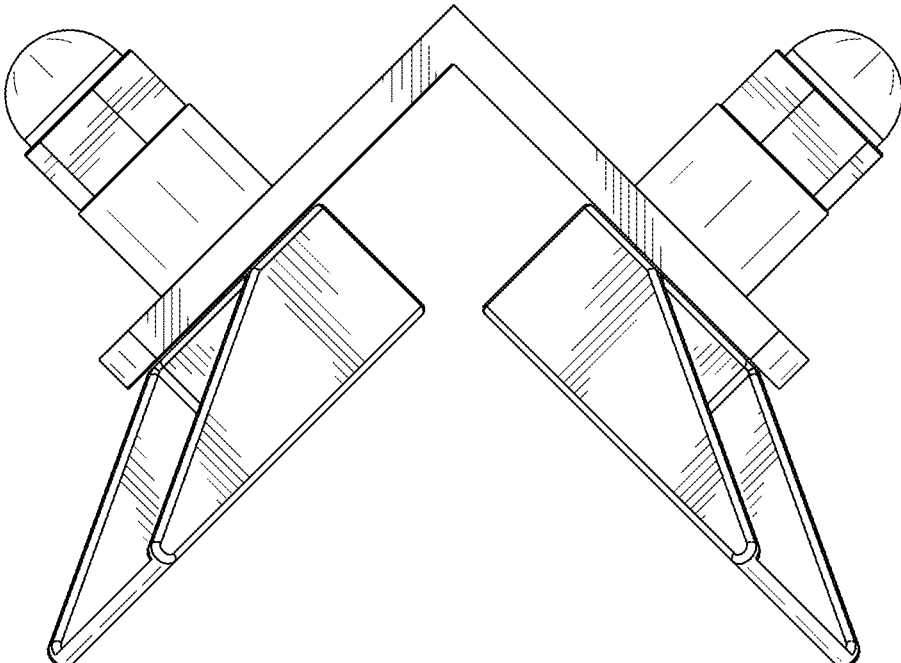


FIG. 5

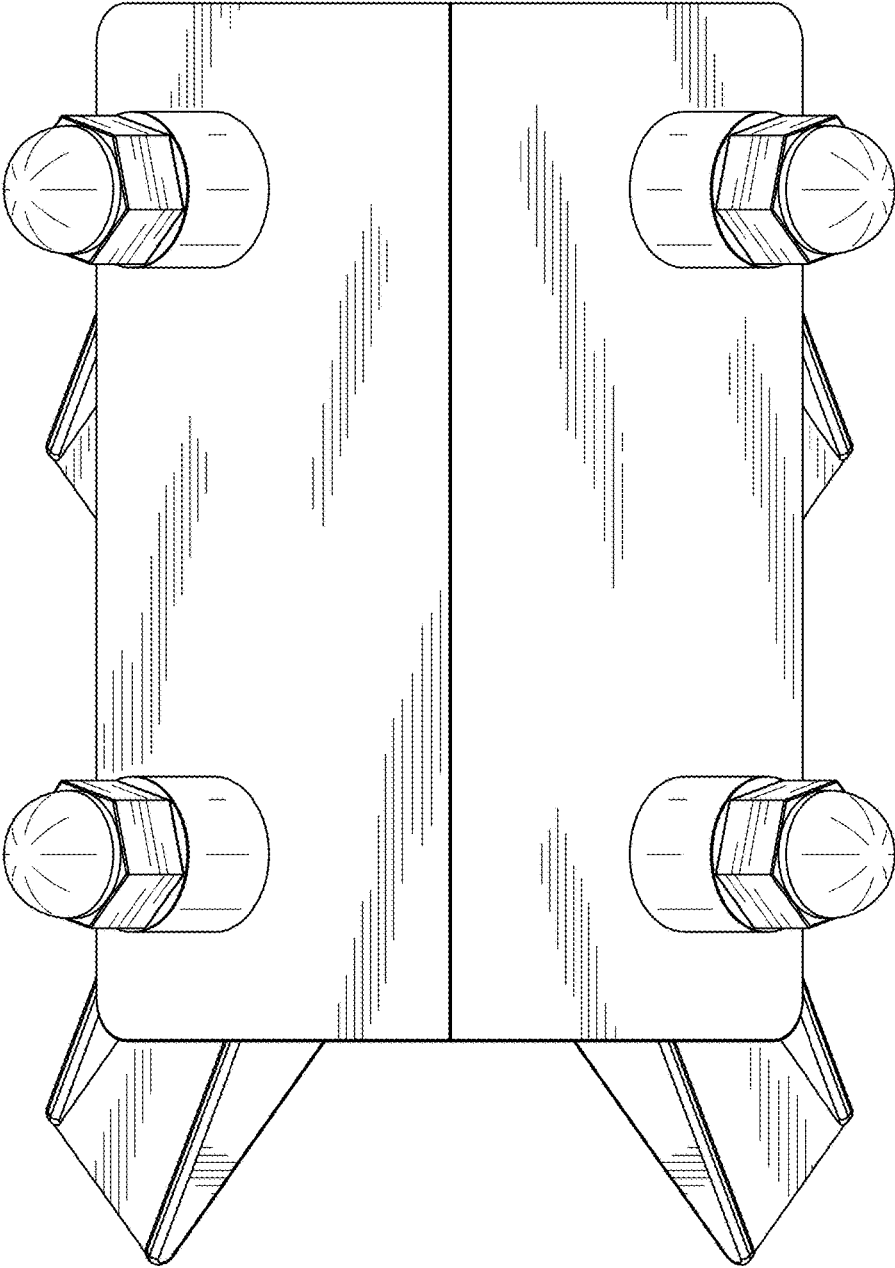


FIG. 6

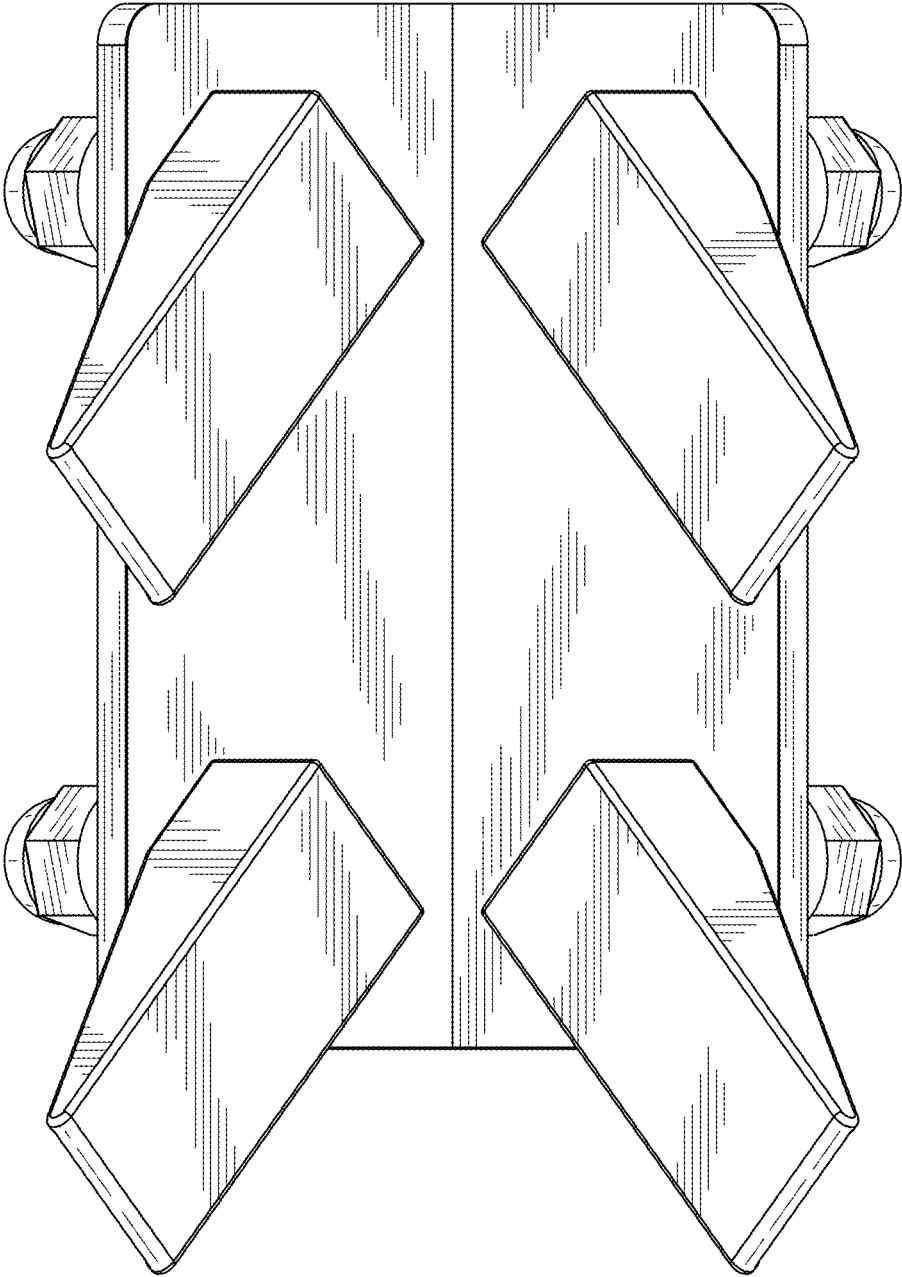


FIG. 7



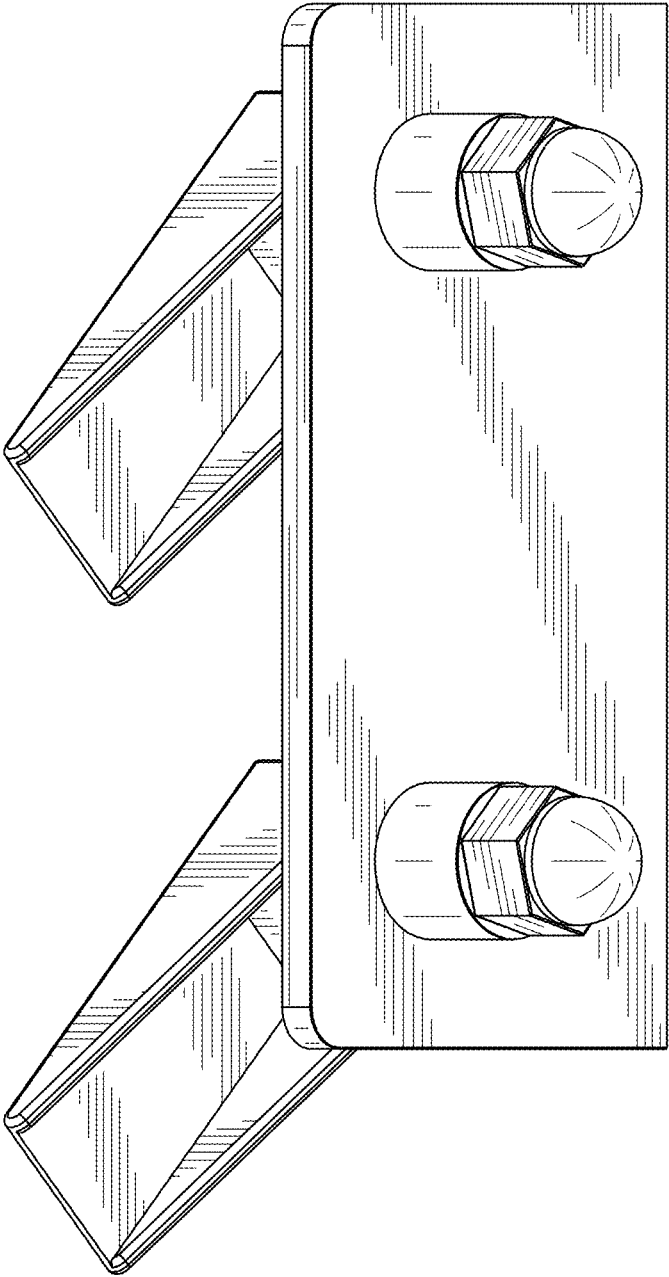


FIG. 8

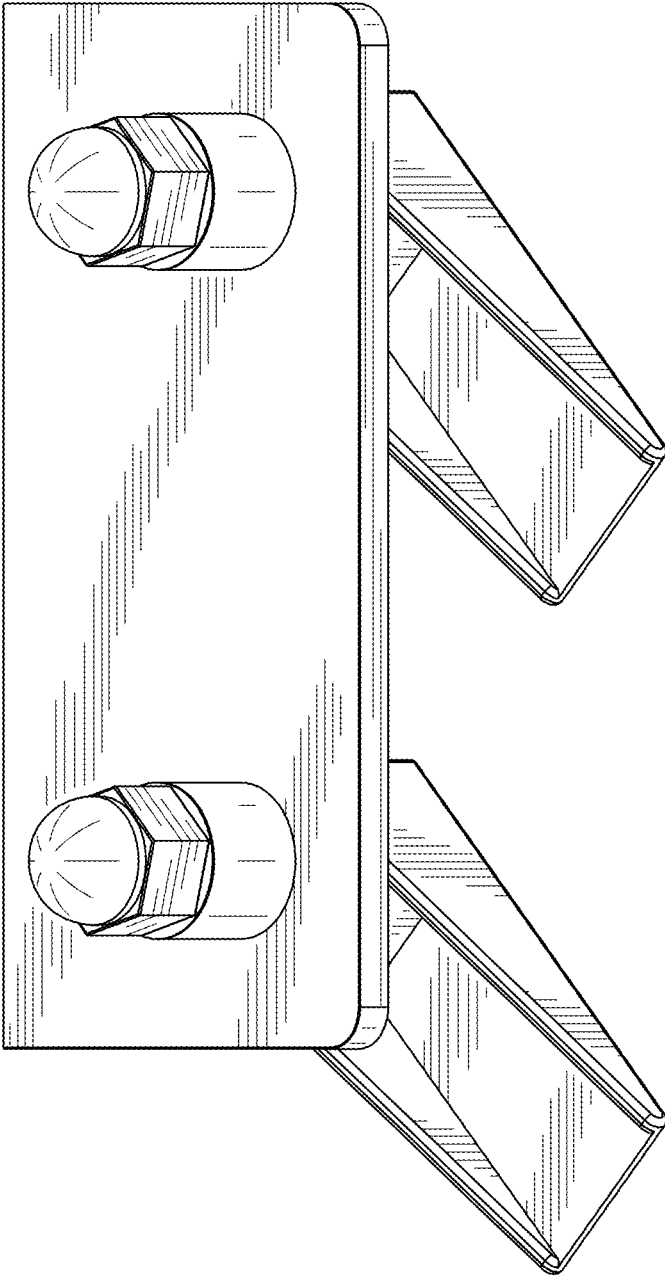


FIG. 9

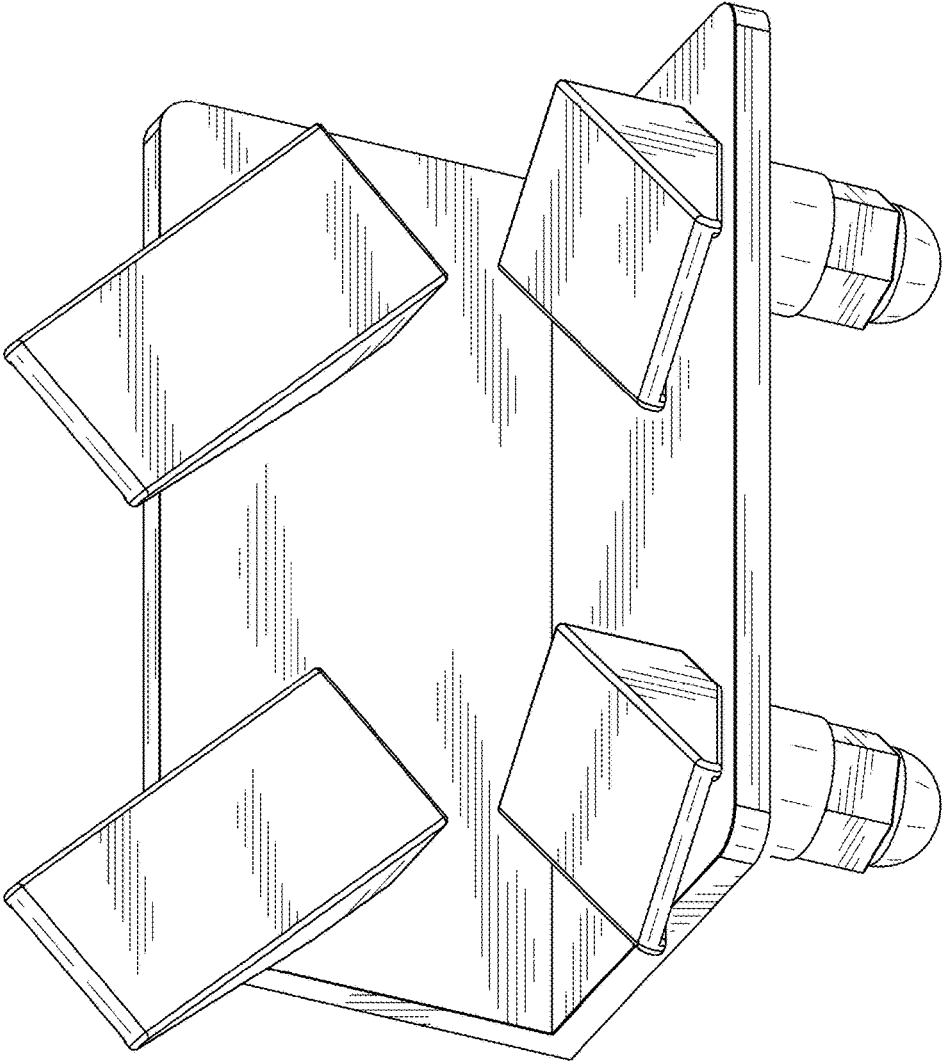


FIG. 10

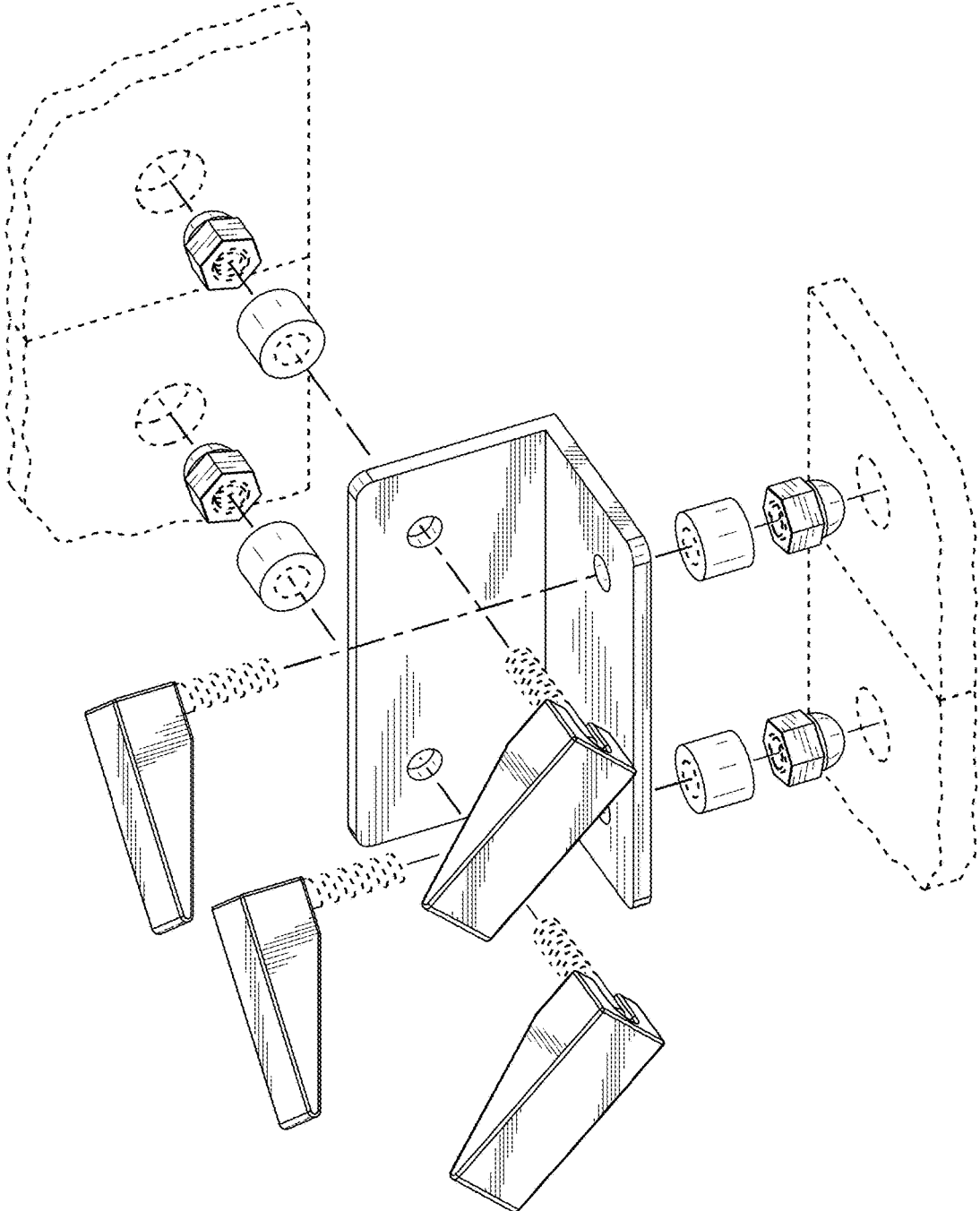


FIG. 11