



US00D507124S

(12) **United States Design Patent**
Yang

(10) **Patent No.:** **US D507,124 S**

(45) **Date of Patent:** **** Jul. 12, 2005**

(54) **CHAIR**

(76) **Inventor:** **Po Hsuan Yang**, No. 137, Anning Street, Annan District, Tainan City (TW)

(**) **Term:** **14 Years**

(21) **Appl. No.:** **29/209,298**

(22) **Filed:** **Jul. 13, 2004**

(51) **LOC (8) Cl.** **06-01**

(52) **U.S. Cl.** **D6/366**

(58) **Field of Search** D6/334, 364, 365, D6/366, 367, 498, 500-502; 297/391, 393, 396, 411.2, 411.27, 411.36, 452.29, 452.46

(56) **References Cited**

U.S. PATENT DOCUMENTS

D436,456 S	*	1/2001	Neil	D6/366
D453,079 S	*	1/2002	Ma	D6/366
D462,188 S	*	9/2002	Su	D6/366
D474,346 S	*	5/2003	Saylor et al.	D6/366
D479,656 S	*	9/2003	Ma	D6/366

D481,879 S	*	11/2003	Su	D6/366
D486,656 S	*	2/2004	Su	D6/366
D489,191 S	*	5/2004	Ma	D6/366
D489,542 S	*	5/2004	Giugiaro	D6/366
D493,627 S	*	8/2004	Ma	D6/366

* cited by examiner

Primary Examiner—Mimosa De

(74) *Attorney, Agent, or Firm*—Pro-Techtor International Services

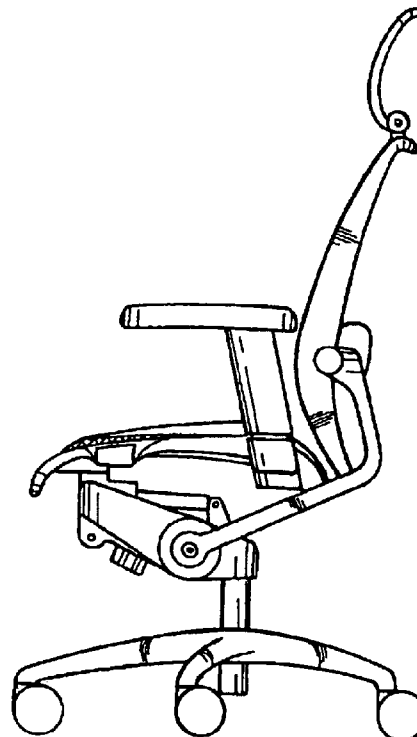
(57) **CLAIM**

The ornamental design for a chair, as shown and described.

DESCRIPTION

FIG. 1 is a perspective view of a chair showing my new design;
 FIG. 2 is a front view thereof;
 FIG. 3 is a rear view thereof;
 FIG. 4 is a right side view, the left side view being a mirror image thereof;
 FIG. 5 is a top view thereof; and,
 FIG. 6 is a bottom view thereof.

1 Claim, 3 Drawing Sheets



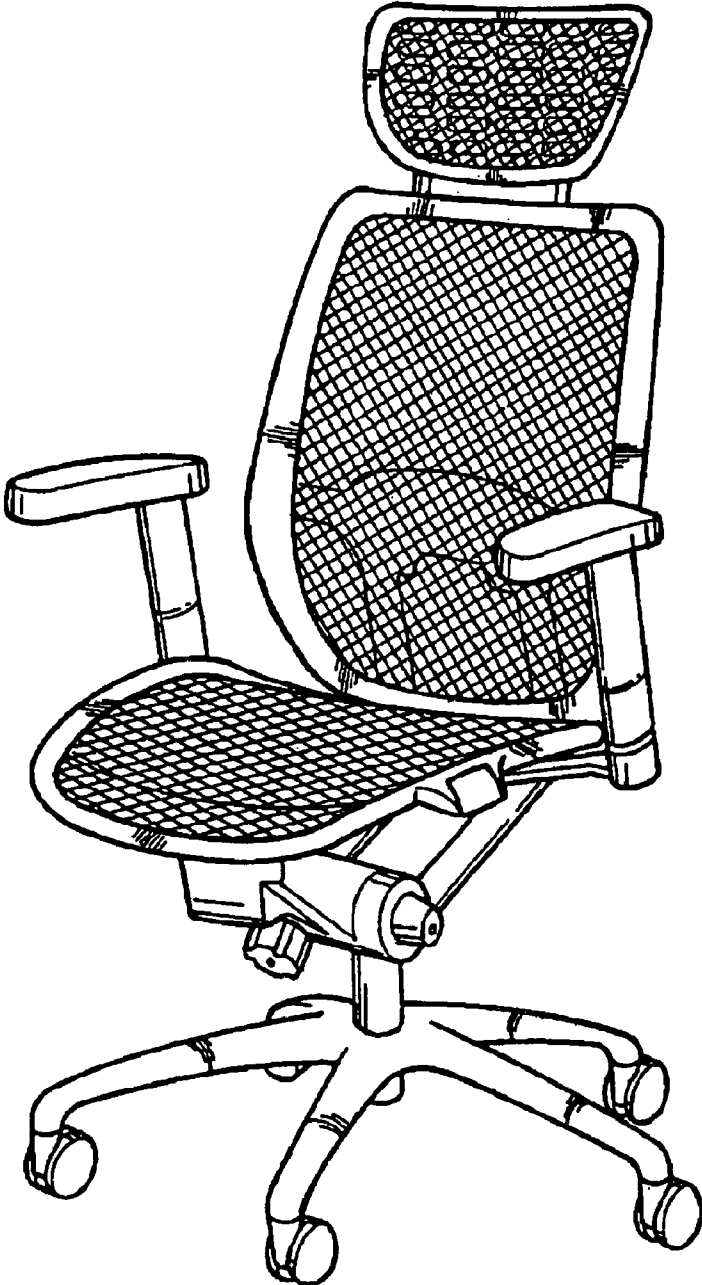


Fig.1

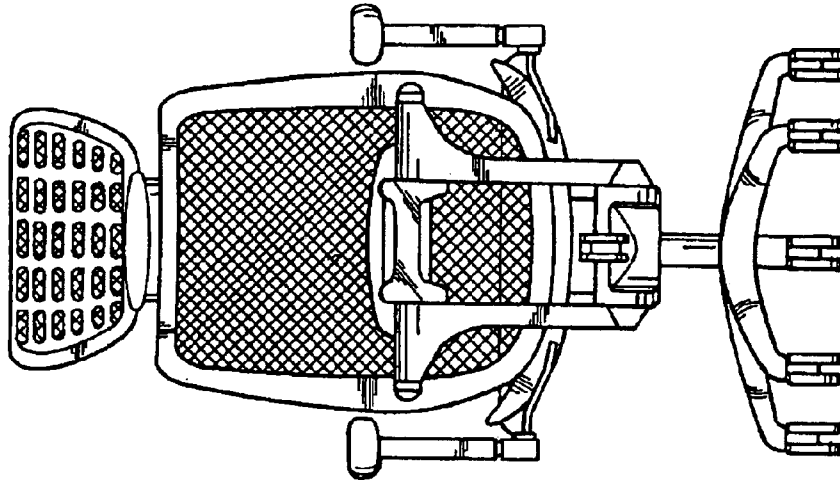


Fig.3

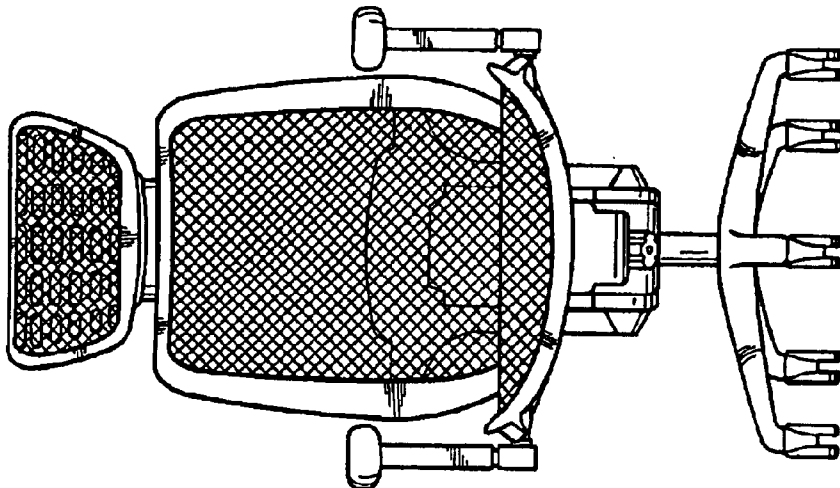


Fig.2

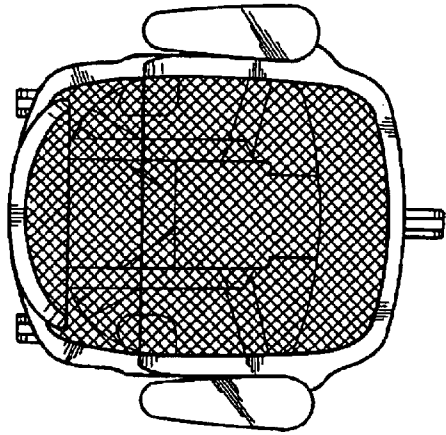


Fig. 5

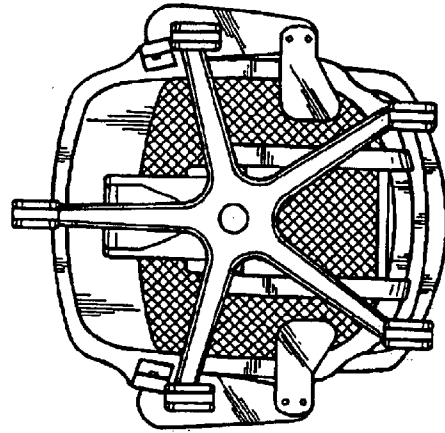


Fig. 6

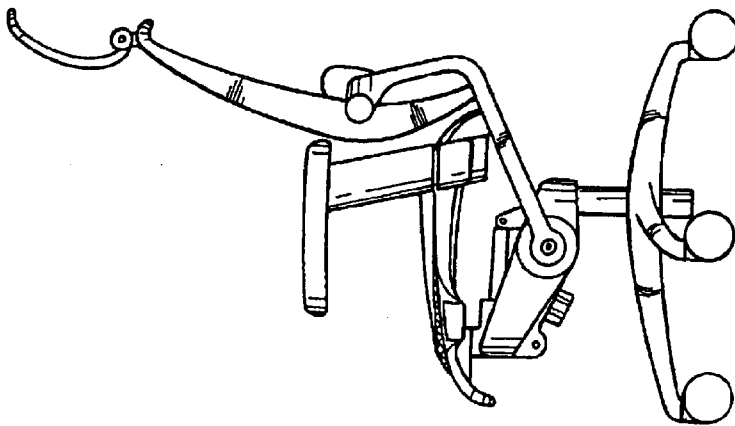


Fig. 4