



(12) **United States Design Patent**  
**Gan**

(10) **Patent No.:** **US D857,076 S**  
(45) **Date of Patent:** **\*\* Aug. 20, 2019**

(54) **ACTION CAMERA**  
(71) Applicant: **SHENZHEN VALUELINK E-COMMERCE CO., LTD.**, Shenzhen (CN)  
(72) Inventor: **Qingcao Gan**, Shenzhen (CN)  
(73) Assignee: **Shenzhen TAT Electronics Co., Ltd.**, Shenzhen (CN)

7,768,727 B2 \* 8/2010 Iida ..... G02B 7/102 359/819  
7,801,439 B2 \* 9/2010 Nagata ..... G03B 17/12 396/301  
D721,395 S \* 1/2015 Woodman ..... D16/218  
D737,879 S \* 9/2015 Woodman ..... D16/218  
D772,966 S \* 11/2016 Song ..... D16/200  
D777,232 S \* 1/2017 Lillquist ..... D16/202  
D789,435 S \* 6/2017 Nguyen ..... D16/202  
D790,002 S \* 6/2017 Nguyen ..... D16/218  
D793,463 S \* 8/2017 Houin ..... D16/202  
D800,202 S \* 10/2017 Hu ..... D16/218

(\*\*) Term: **15 Years**

\* cited by examiner

(21) Appl. No.: **29/614,998**

*Primary Examiner* — Ramzi S Almatrahi

(22) Filed: **Aug. 24, 2017**

(74) *Attorney, Agent, or Firm* — Wayne & Ken, LLC; Tony Hom

(51) **LOC (12) Cl.** ..... **16-01**  
(52) **U.S. Cl.**

(57) **CLAIM**

USPC ..... **D16/202**

The ornamental design for an action camera, as shown and described.

(58) **Field of Classification Search**  
USPC ..... D16/200, 202–207, 208–210, 212, 218, D16/219; 348/373–376; 396/448, 535, 396/539–541  
CPC ..... G03B 15/03; G03B 17/02; G03B 17/04; G03B 17/56; G03B 19/04; H04N 5/2251; H04N 5/2252; H04N 5/2253; H04N 5/2254; H04N 2101/00

**DESCRIPTION**

See application file for complete search history.

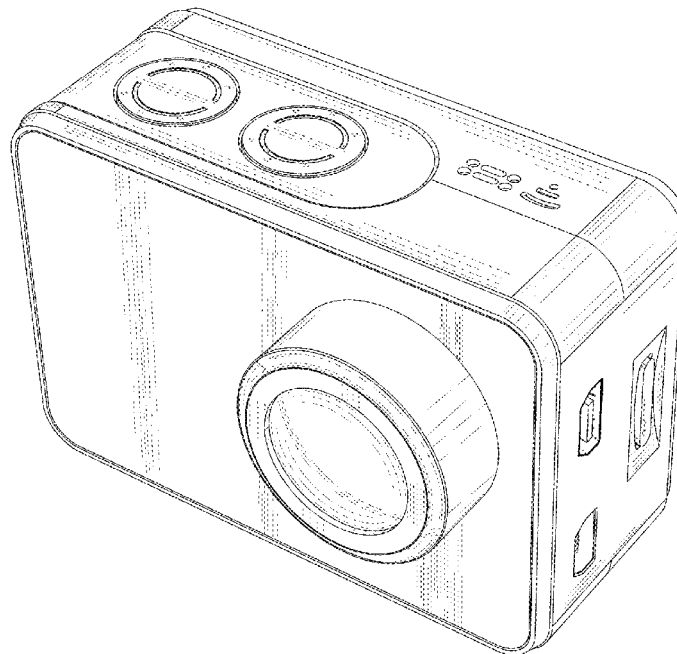
FIG. 1 is a perspective view of an action camera showing my new design;  
FIG. 2 is a front elevation view thereof;  
FIG. 3 is a back elevation view thereof;  
FIG. 4 is a left side view thereof;  
FIG. 5 is a right side view thereof;  
FIG. 6 is a top plan view thereof; and,  
FIG. 7 is a bottom plan view thereof.  
The broken lines depict portions of the action camera in which the design is embodied that form no part of the claimed design.

(56) **References Cited**

**U.S. PATENT DOCUMENTS**

6,788,887 B2 \* 9/2004 Takeshita ..... G03B 17/06 396/286  
D533,574 S \* 12/2006 Hamamura ..... D16/202  
D548,256 S \* 8/2007 Hase ..... D16/202

**1 Claim, 7 Drawing Sheets**



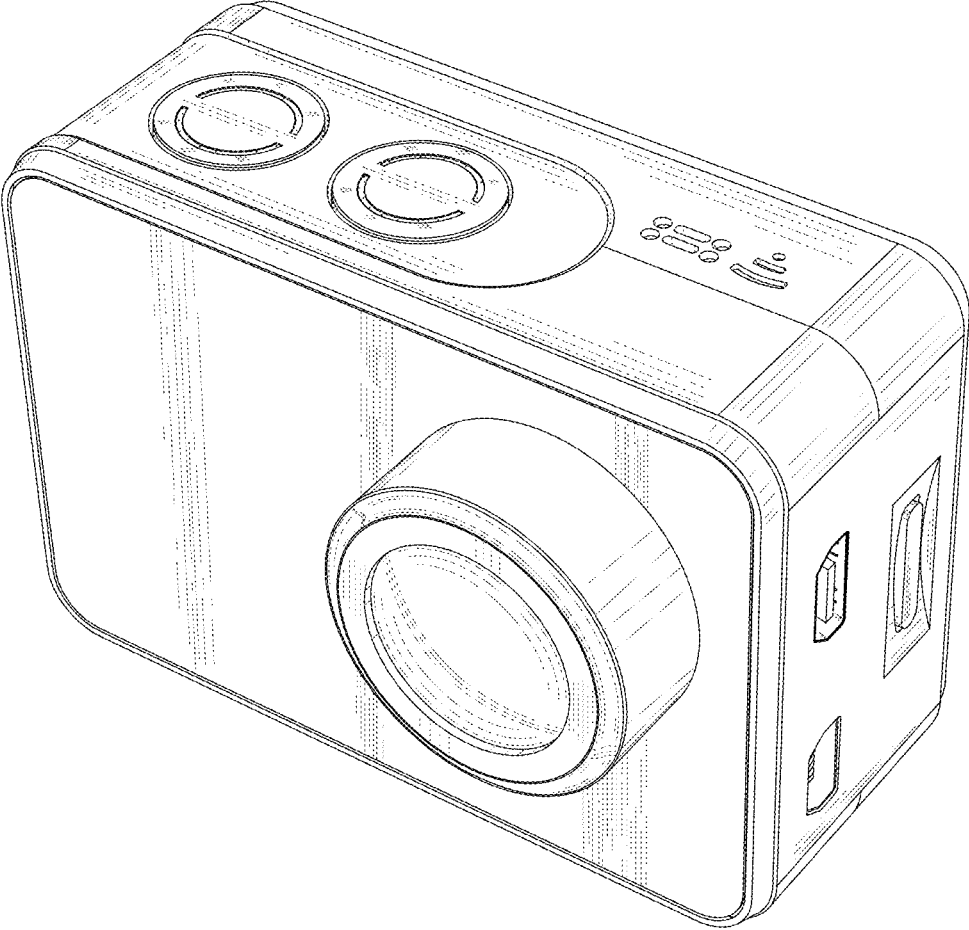


Fig .1

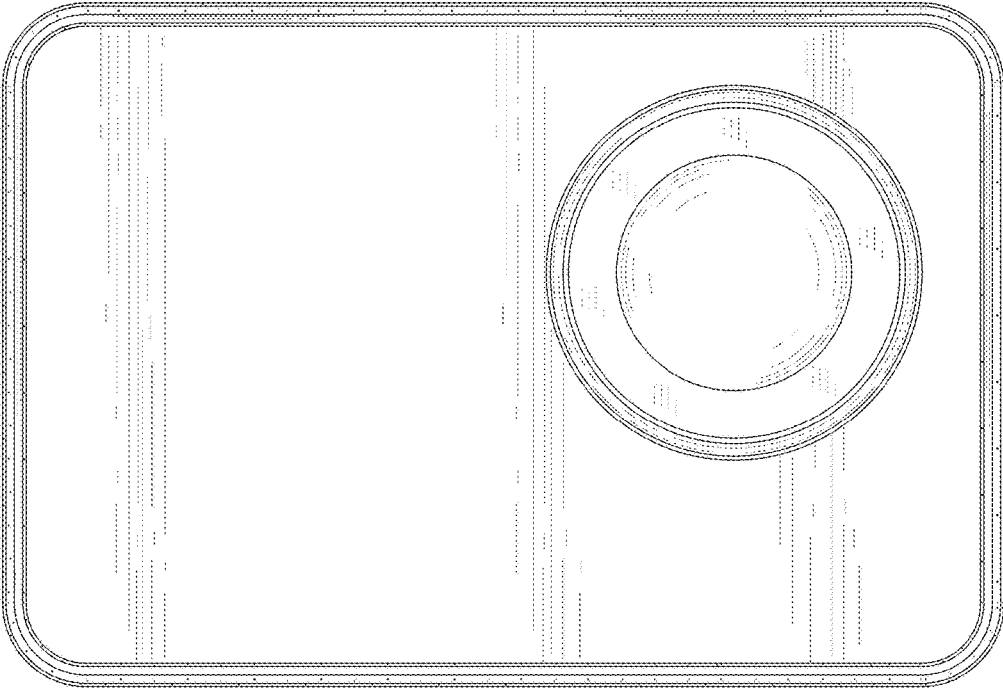


Fig .2

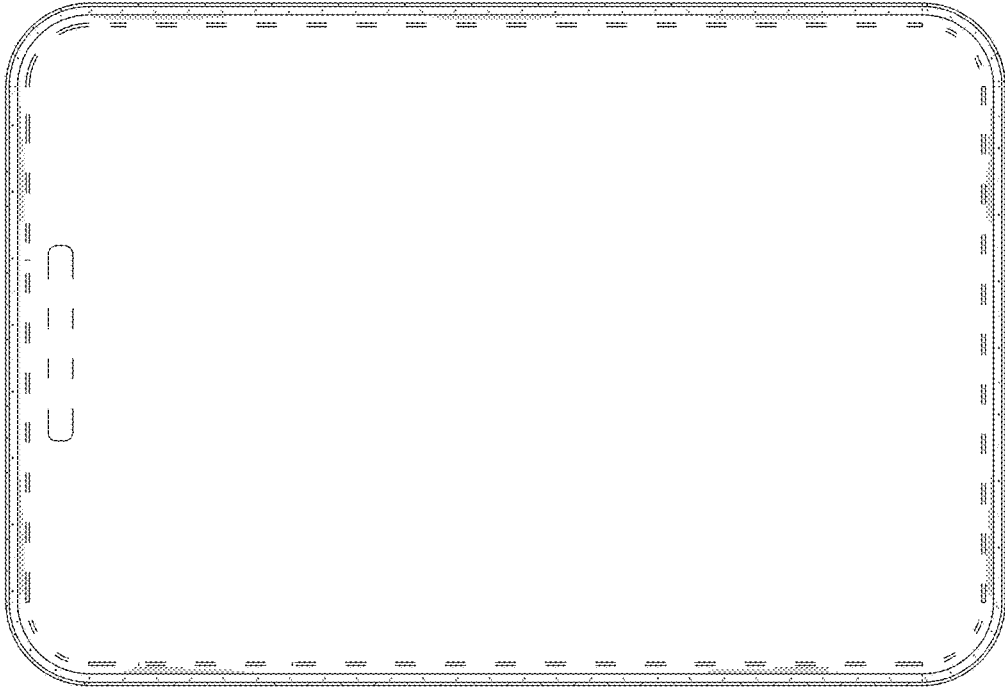


Fig .3

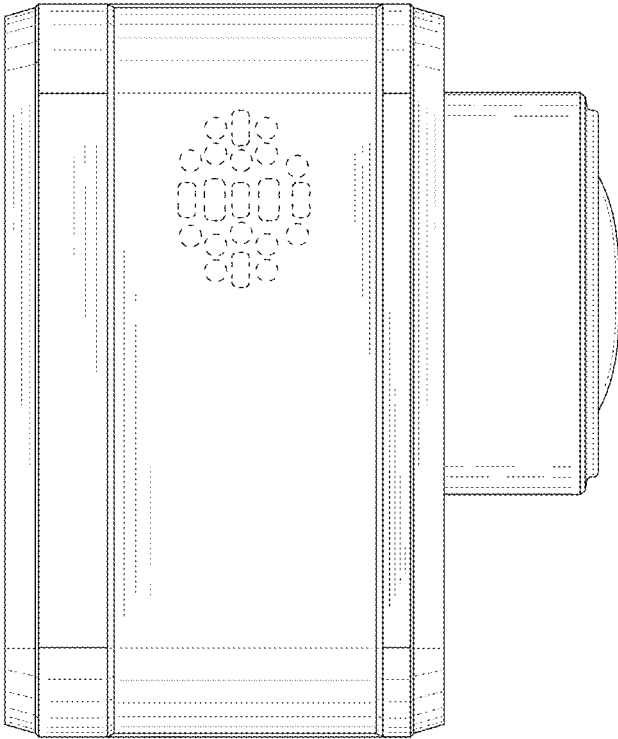


Fig .4

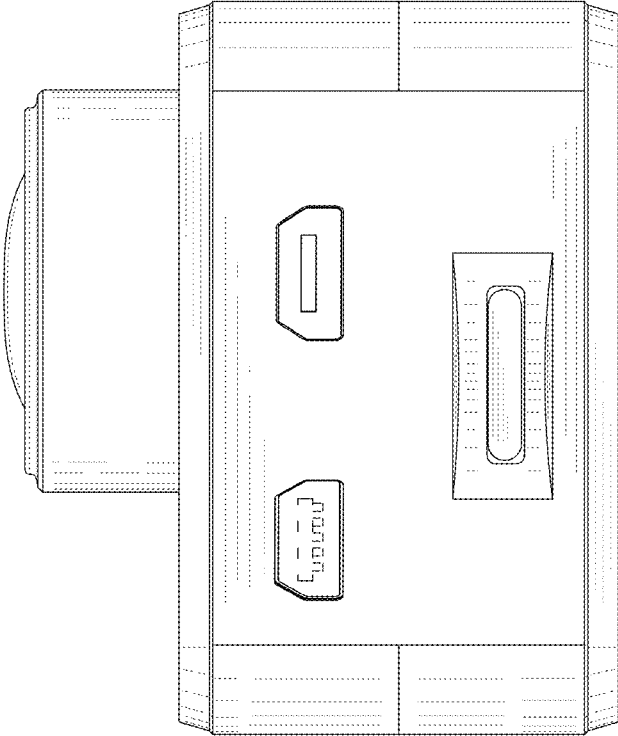


Fig .5

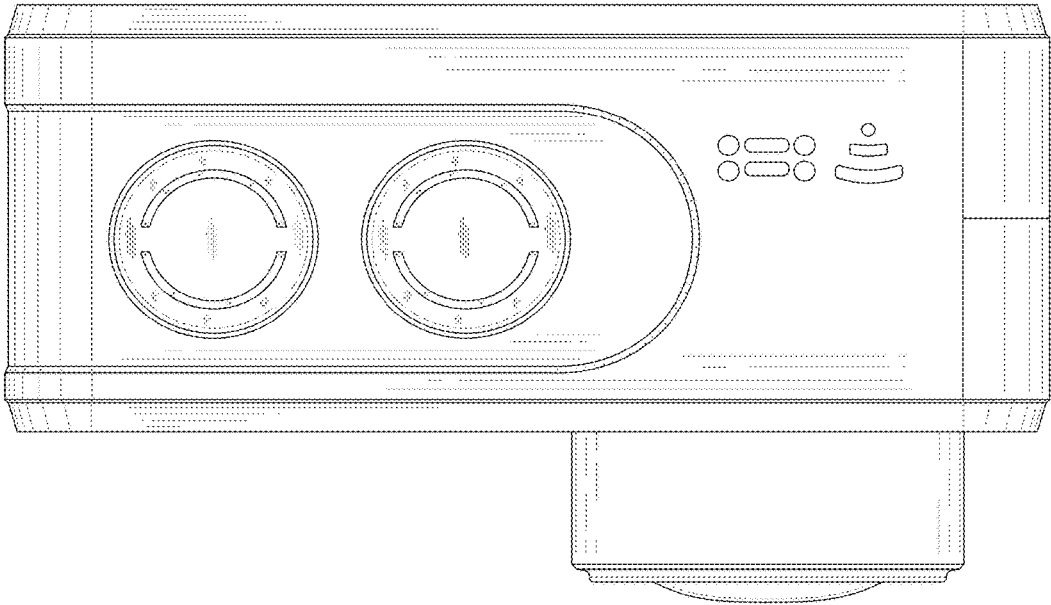


Fig .6

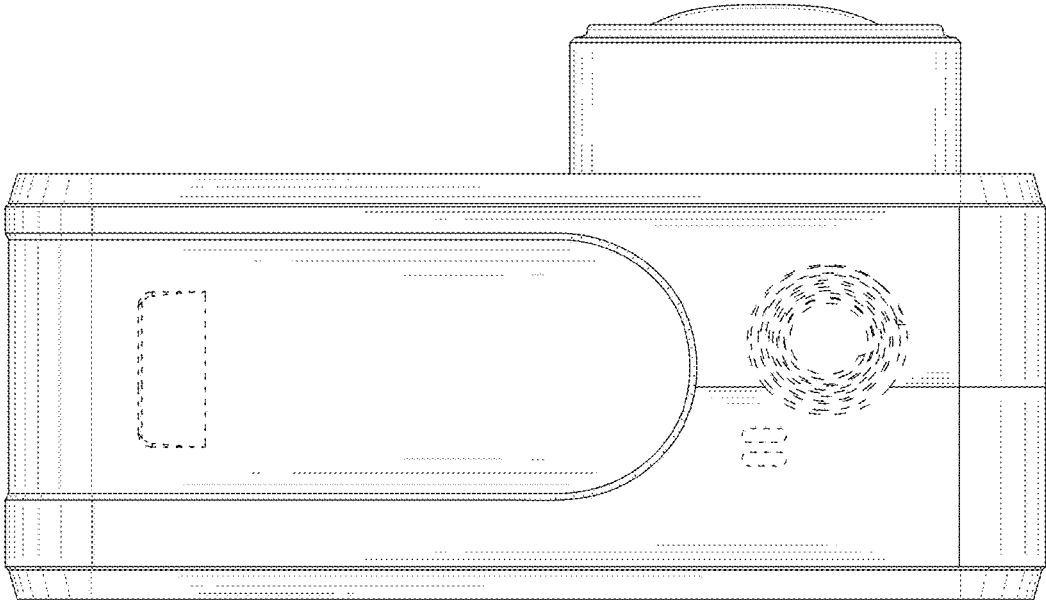


Fig .7