



US00D371882S

United States Patent [19]

[11] **Patent Number:** **Des. 371,882**

Kristoffersson

[45] **Date of Patent:** ****Jul. 16, 1996**

[54] **PALLET**

3,795,206 3/1974 Utz 108/51.1

4,597,338 7/1986 Kreeger 108/57.1

5,343,814 9/1994 Pigott et al. 108/51.7

[75] **Inventor:** **Karl-Gustaf Kristoffersson,**
Örkelljunga, Sweden

Primary Examiner—James M. Gandy

Assistant Examiner—Robin V. Taylor

Attorney, Agent, or Firm—Watson Cole Stevens Davis

[73] **Assignee:** **Perstorp AB,** Perstorp, Sweden

[**] **Term:** **14 Years**

[57] **CLAIM**

[21] **Appl. No.:** **40,643**

The ornamental design for a pallet, as shown and described.

[22] **Filed:** **Jun. 14, 1995**

DESCRIPTION

[30] **Foreign Application Priority Data**

FIG. 1 is a perspective view of my new design for a pallet showing the upper surface thereof;

FIG. 2 is a perspective view similar to FIG. 1 showing the under side thereof;

FIG. 3 is a side elevational view thereof, the other side being a mirror image;

FIG. 4 is a top plan view;

FIG. 5 is a bottom plan view; and,

FIG. 6 is an end elevational view thereof, the other end being a mirror image.

Dec. 15, 1994 [SE] Sweden 942544

[52] **U.S. Cl.** **D34/38**

[58] **Field of Search** **D34/38; 108/51.1,**
108/53.1, 53.3, 55.3, 57.1, 901

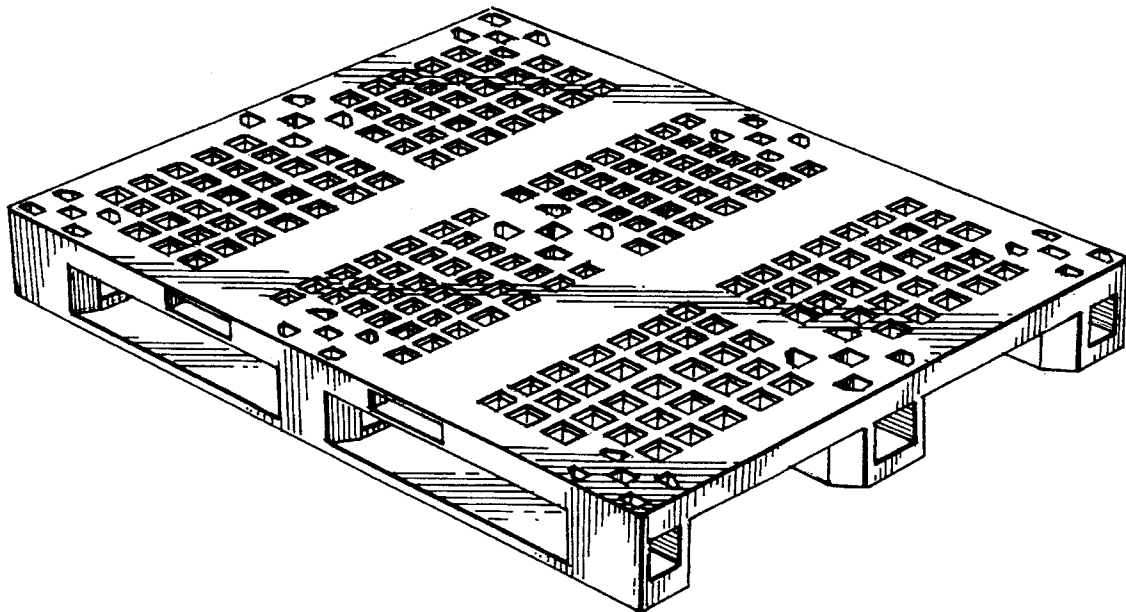
[56] **References Cited**

U.S. PATENT DOCUMENTS

D. 258,948 4/1981 Stump D34/38

3,750,596 8/1973 Box 108/53.1

1 Claim, 4 Drawing Sheets



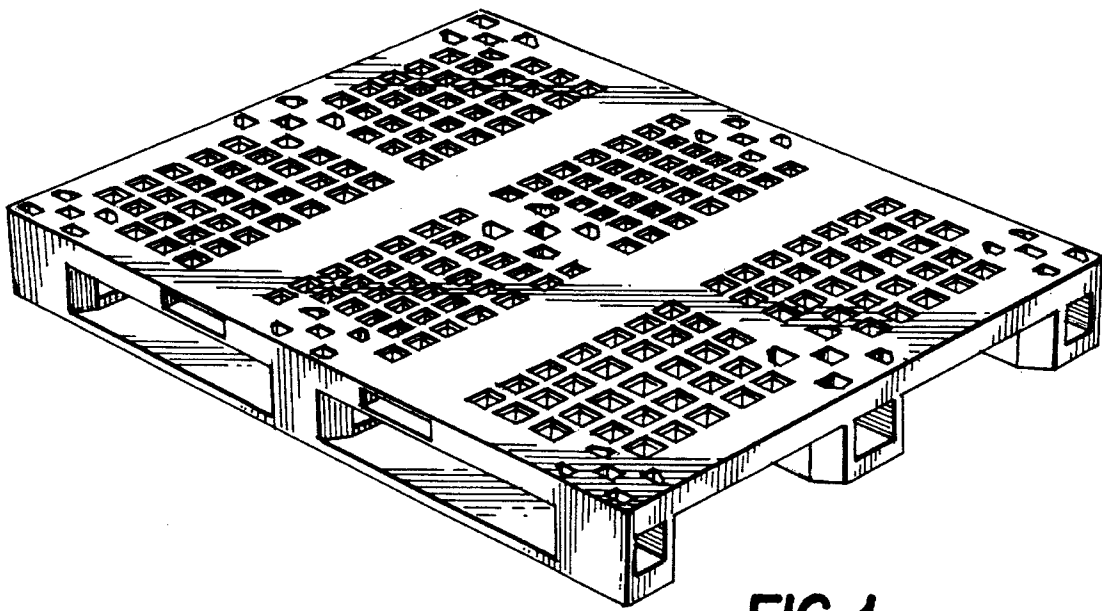


FIG. 1

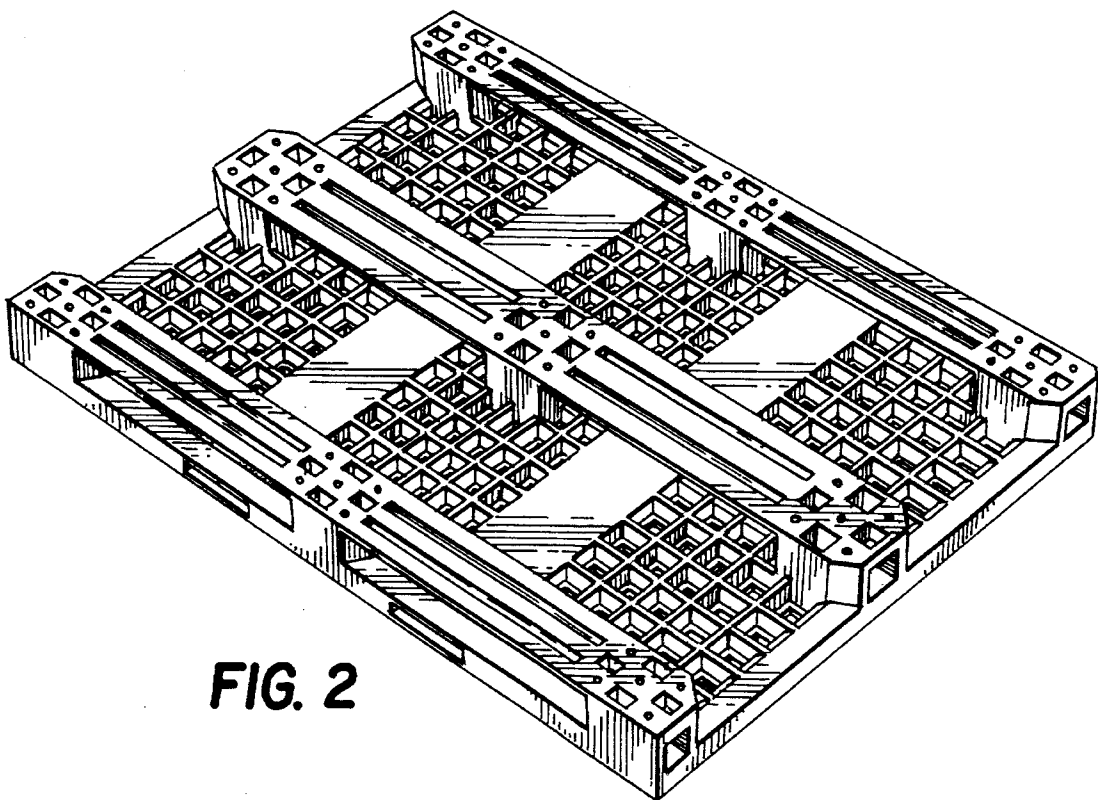


FIG. 2

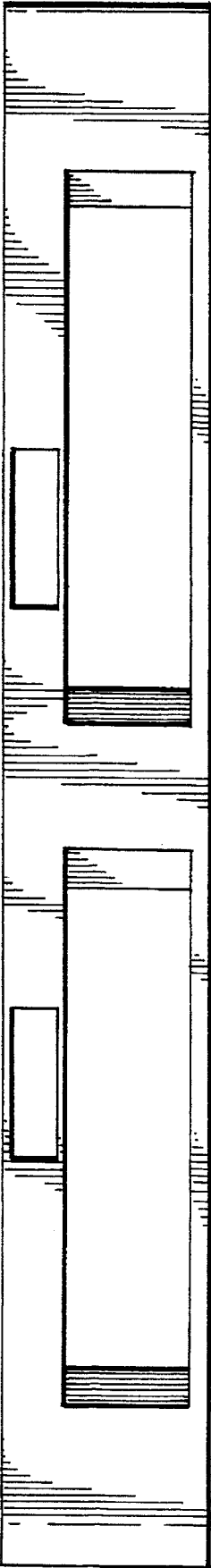


FIG. 3

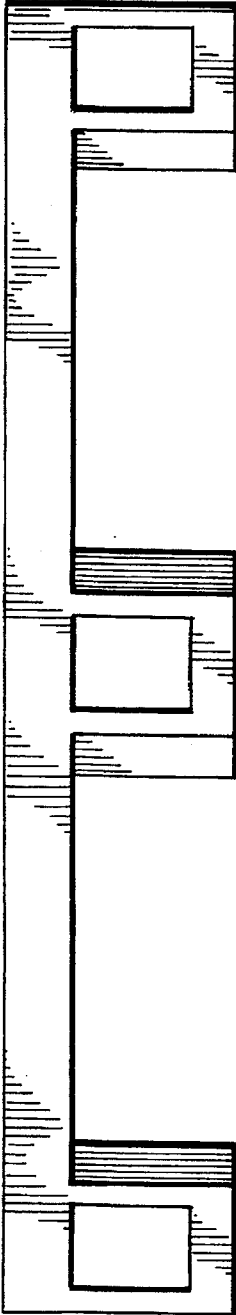


FIG. 6

FIG. 4

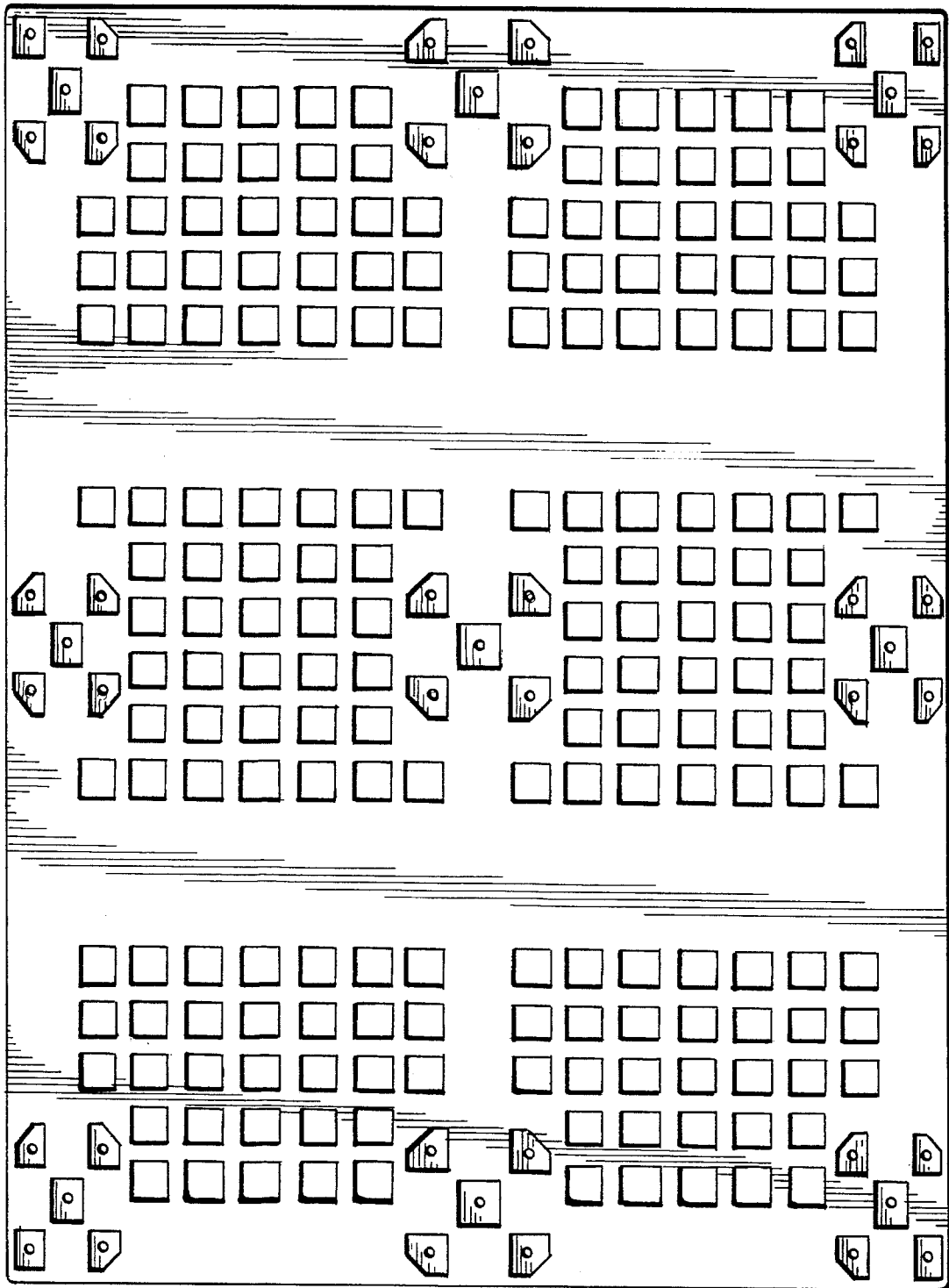


FIG. 5

