



US00D483974S

(12) **United States Design Patent** (10) **Patent No.:** **US D483,974 S**  
**Reed** (45) **Date of Patent:** **\*\* Dec. 23, 2003**

(54) **AUTOMATIC SOAP DISPENSER**

D378,642 S \* 4/1997 DeGennaro ..... D6/542

(76) Inventor: **Dale J. Reed**, 1170 Fox Hills Dr.,  
Howell, MI (US) 48843

\* cited by examiner

(\*\*) Term: **14 Years**

*Primary Examiner*—Brian N. Vinson  
(74) *Attorney, Agent, or Firm*—Donald J. Ersler

(21) Appl. No.: **29/166,084**

(57) **CLAIM**

(22) Filed: **Aug. 22, 2002**

The ornamental design for an automatic soap dispenser, as shown and described.

(51) **LOC (7) Cl.** ..... **23-02**

**DESCRIPTION**

(52) **U.S. Cl.** ..... **D6/542**

FIG. 1 is a top perspective view of an automatic soap dispenser incorporating my new design;

(58) **Field of Search** ..... D6/542-545; 211/131,

FIG. 2 is a bottom perspective view thereof;

211/85.12, 71.01, 74; 221/282, 283, 284;

FIG. 3 is a left elevation view thereof with the right side elevation view being a mirror image of the left side elevation view;

222/173, 180, 181.1-181.3; 206/77.1

(56) **References Cited**

FIG. 4 is a front elevation view thereof;

**U.S. PATENT DOCUMENTS**

FIG. 5 is a rear elevation view thereof;

2,965,267 A \* 12/1960 Darr ..... 222/181.2

FIG. 6 is a top plan view thereof; and,

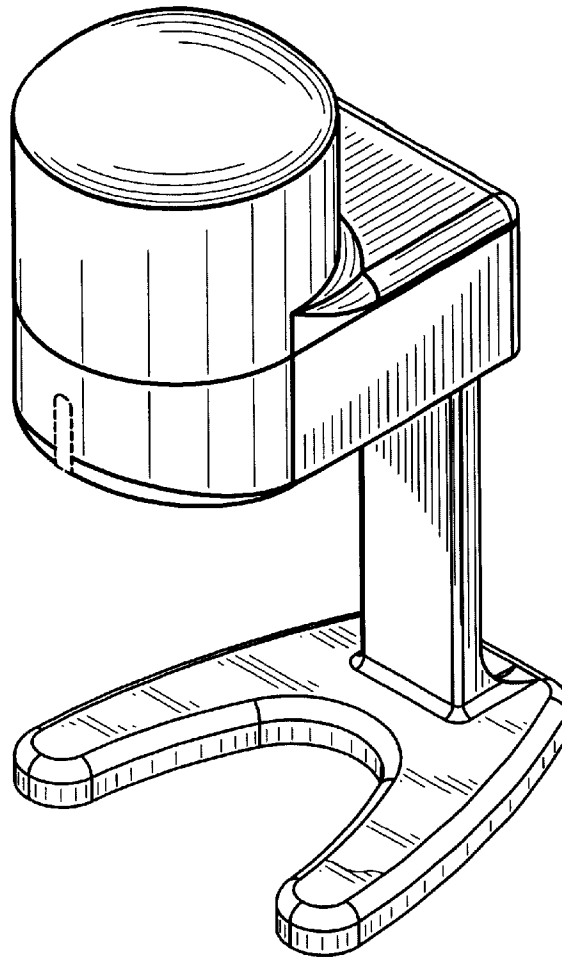
D194,344 S \* 1/1963 Parker ..... D6/542

FIG. 7 is a bottom plan view thereof.

D319,634 S \* 9/1991 Honda ..... D14/105

D321,453 S \* 11/1991 Ophardt ..... D7/300

**1 Claim, 3 Drawing Sheets**



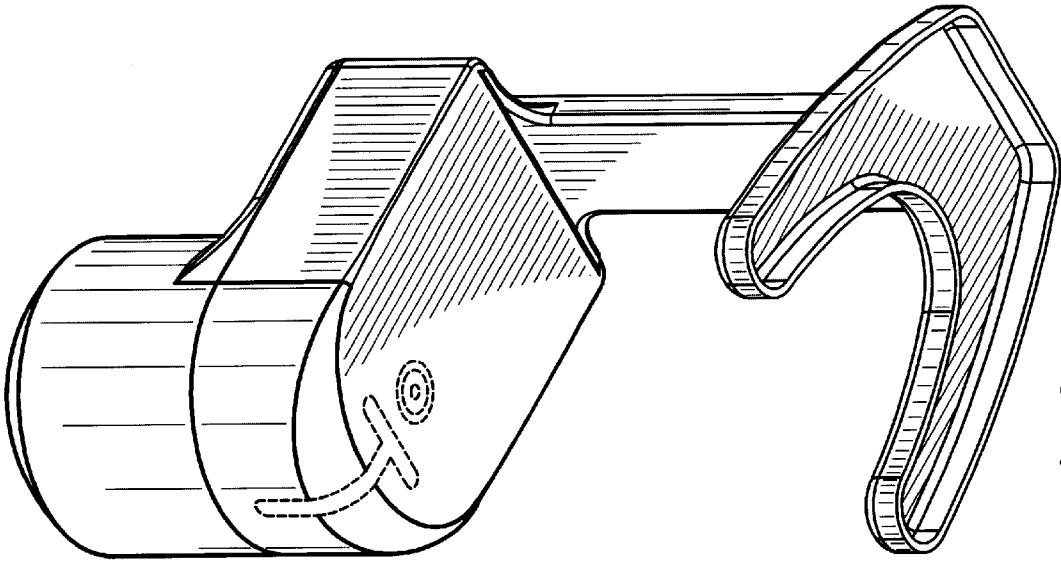


Fig. 2

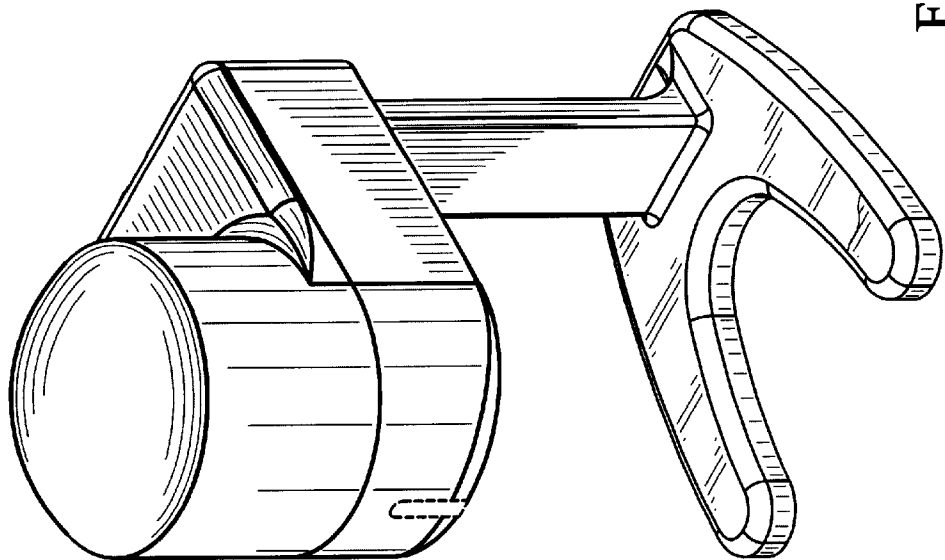


Fig. 1

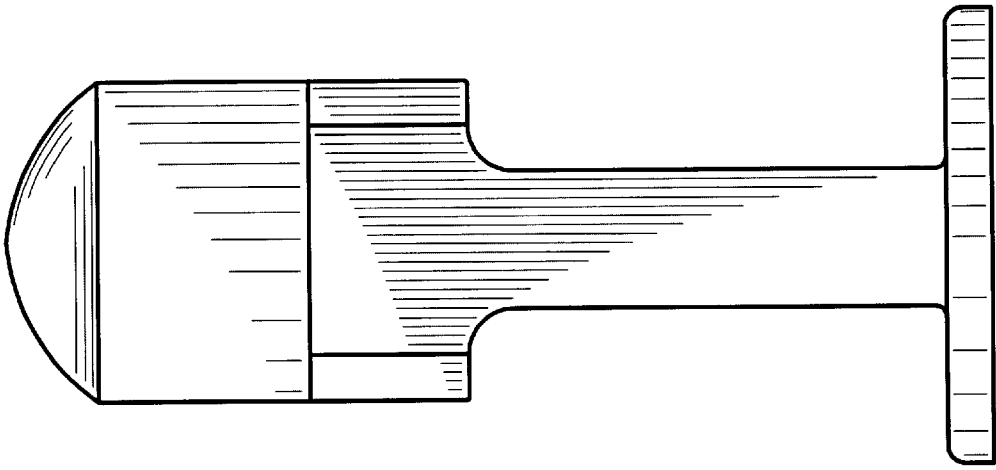


Fig. 5

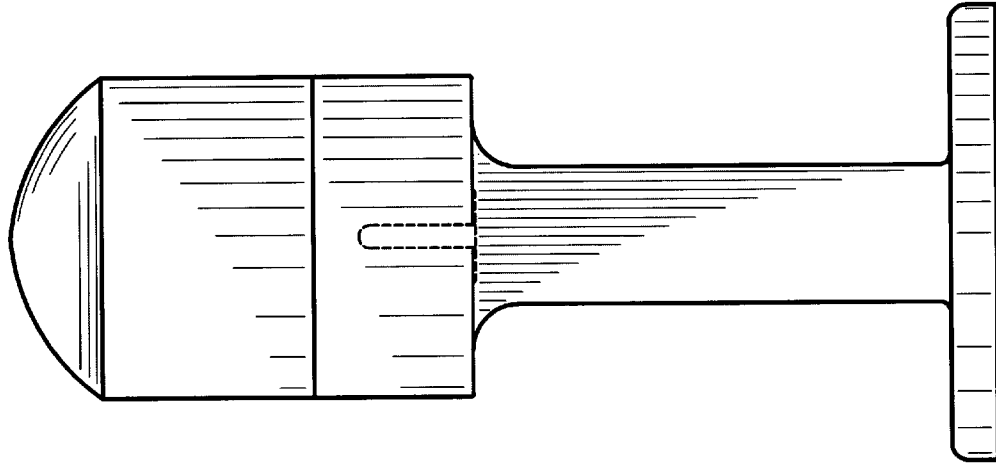


Fig. 4

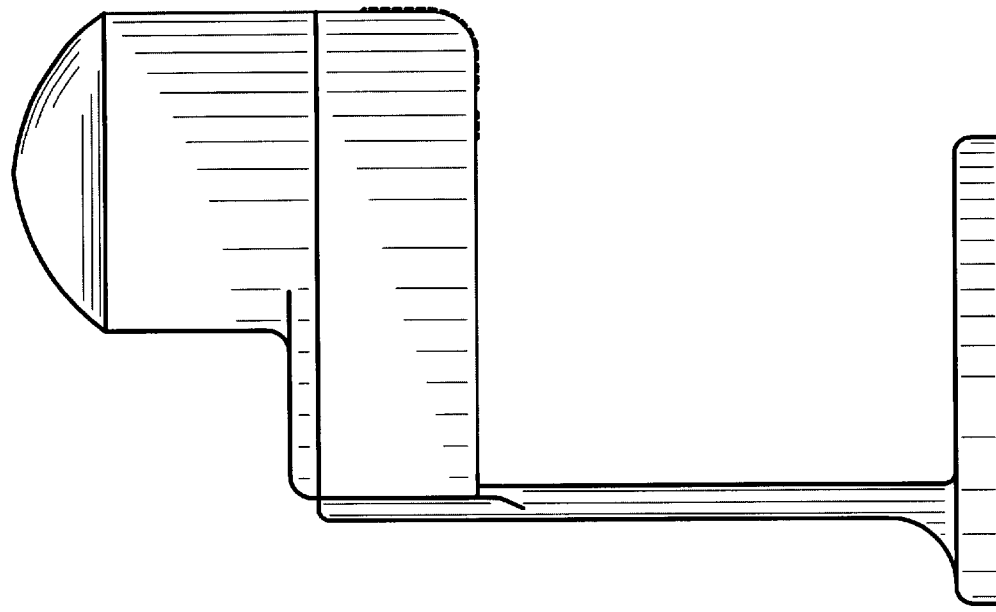


Fig. 3

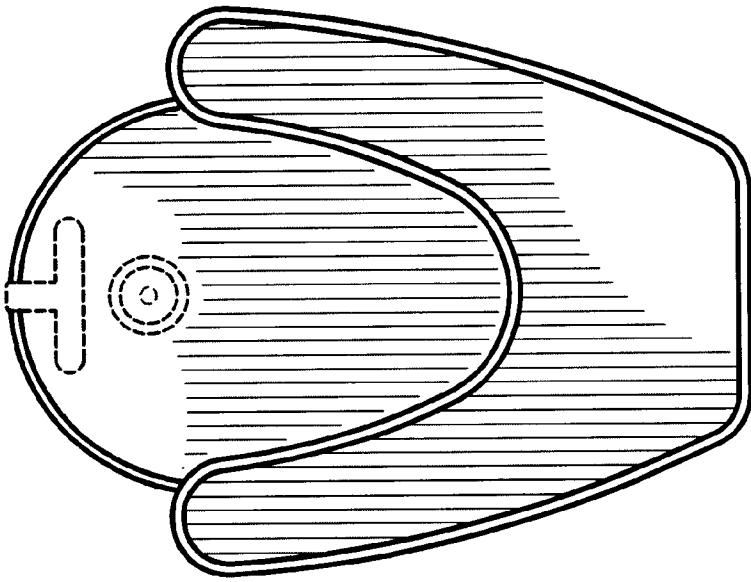


Fig. 7

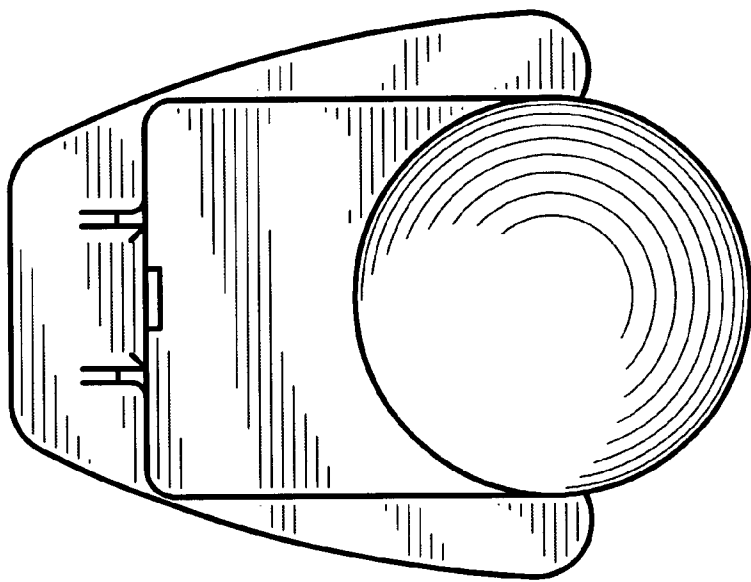


Fig. 6