



US00D937005S

(12) **United States Design Patent**  
**Lai**

(10) **Patent No.:** **US D937,005 S**

(45) **Date of Patent:** **\*\* Nov. 30, 2021**

(54) **COMBINATION WALL RACK WITH KEY HOOKS**

(71) Applicant: **My Gift Enterprise, LLC,**  
Woodinville, WA (US)

(72) Inventor: **Sin Lai,** Woodinville, WA (US)

(\*\*) Term: **15 Years**

(21) Appl. No.: **29/694,174**

(22) Filed: **Jun. 7, 2019**

(51) **LOC (13) Cl.** ..... **06-04**

(52) **U.S. Cl.**  
USPC ..... **D6/574**

(58) **Field of Classification Search**

USPC ..... D6/569, 672, 320-324, 574, 553, 566,  
D6/571; D7/698, 704; D26/72;  
108/28-29, 152; 211/13.1, 42, 86.01,  
211/88.01, 90.01, 90.03, 126.1, 134, 153;  
248/205.3, 235, 243, 247, 250  
CPC ..... A47B 43/00; A47B 43/04; A47B 47/0066;  
A47B 47/04; A47B 63/00; A47B 69/00;  
A47B 71/00  
See application file for complete search history.

(56) **References Cited**

**U.S. PATENT DOCUMENTS**

D314,115 S \* 1/1991 Murphy ..... D6/572  
D547,138 S \* 7/2007 Goodman ..... D6/566

D592,436 S \* 5/2009 Thompson ..... D6/574  
D672,594 S \* 12/2012 Kozak ..... D6/566  
D673,404 S \* 1/2013 Grandier ..... D6/569  
D775,477 S \* 1/2017 Corless ..... D6/320  
D846,304 S \* 4/2019 Allen ..... D6/574  
D880,190 S \* 4/2020 Williams ..... D6/553  
D880,191 S \* 4/2020 Lai ..... D6/571

\* cited by examiner

*Primary Examiner* — Wan Laymon

*Assistant Examiner* — Mark Booker

(74) *Attorney, Agent, or Firm* — Dean A Craine; Marisa C Whitaker

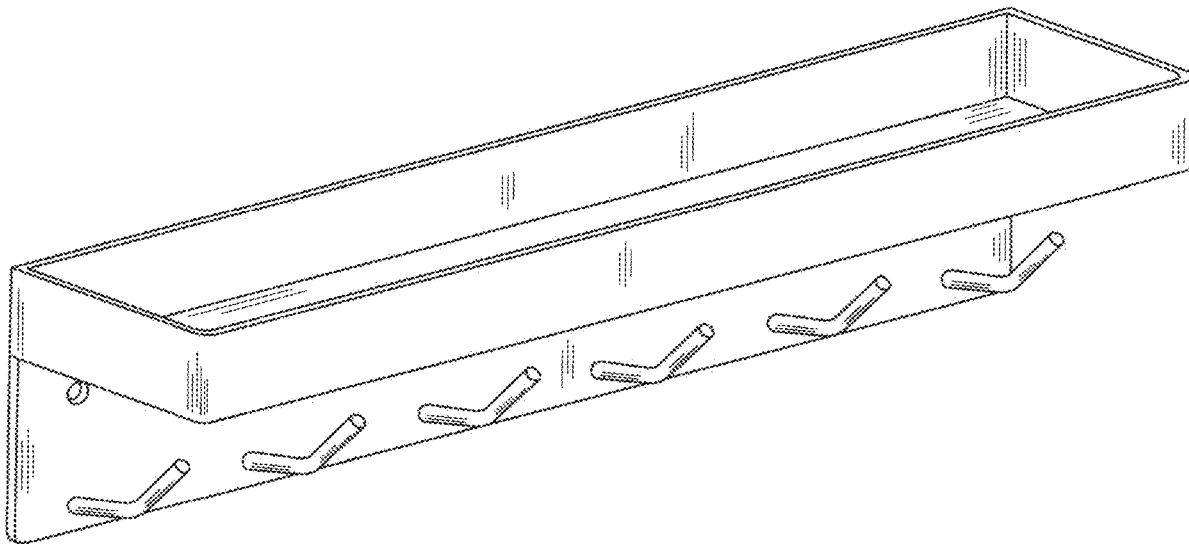
(57) **CLAIM**

The ornamental design for a combination wall rack with key hooks, as shown and described.

**DESCRIPTION**

FIG. 1 is a front perspective view of a combination wall rack with key hooks.  
FIG. 2 is a front elevation view thereof.  
FIG. 3 is a rear elevation view thereof.  
FIG. 4 is a top plan view thereof.  
FIG. 5 is a bottom plan view thereof.  
FIG. 6 is a left side elevation view thereof; and,  
FIG. 7 is a right side elevation view thereof.

**1 Claim, 7 Drawing Sheets**



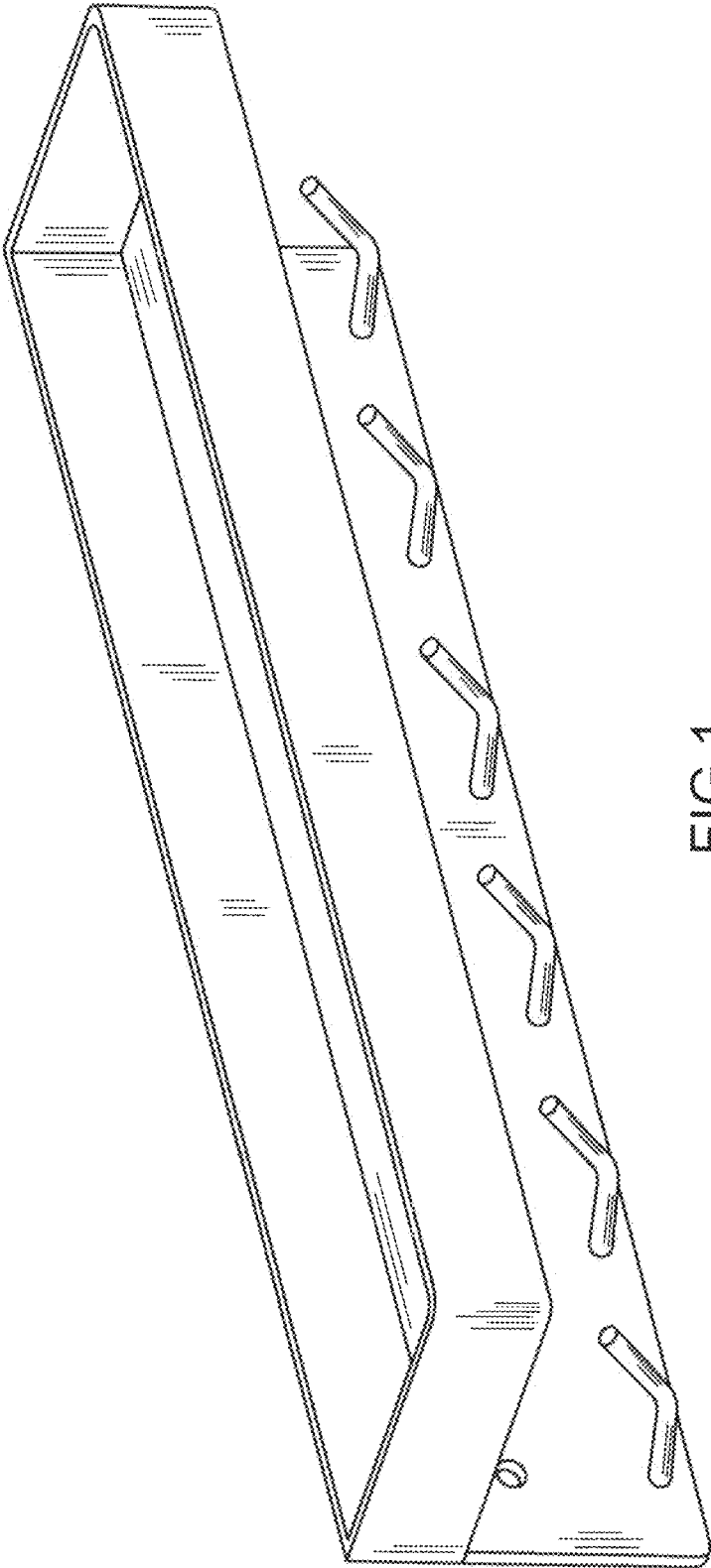


FIG.1

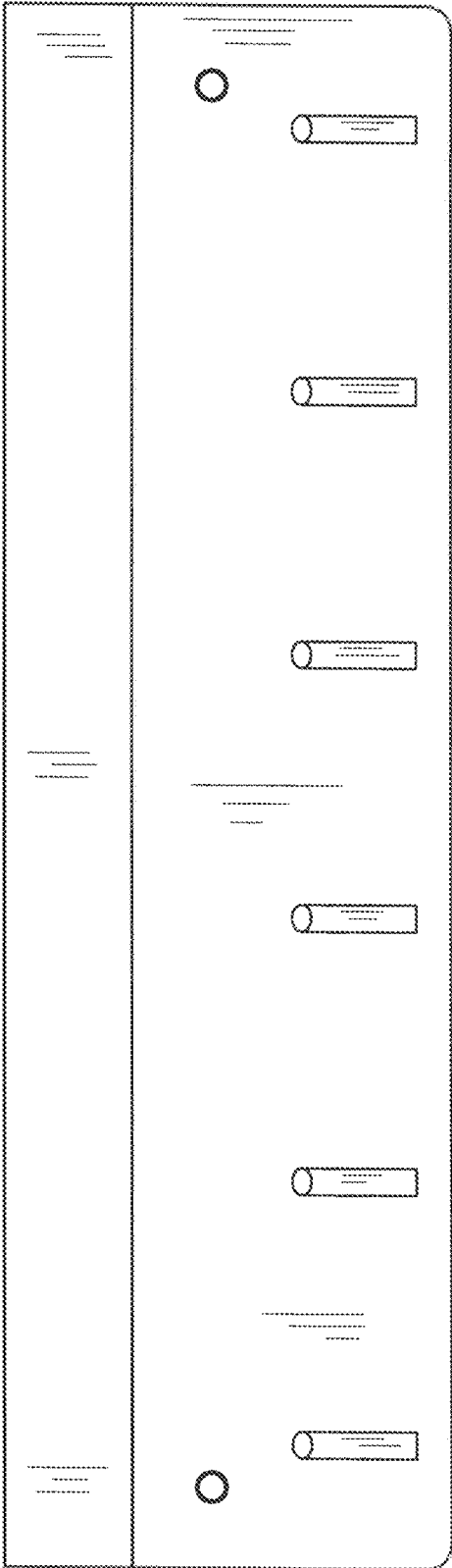


FIG. 2

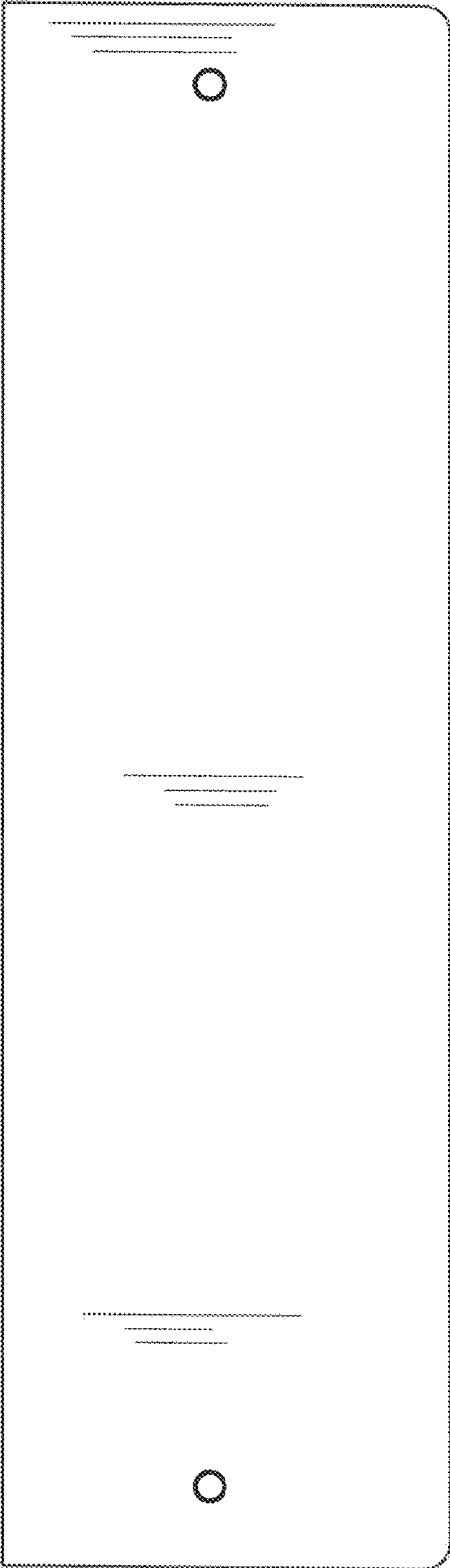


FIG.3

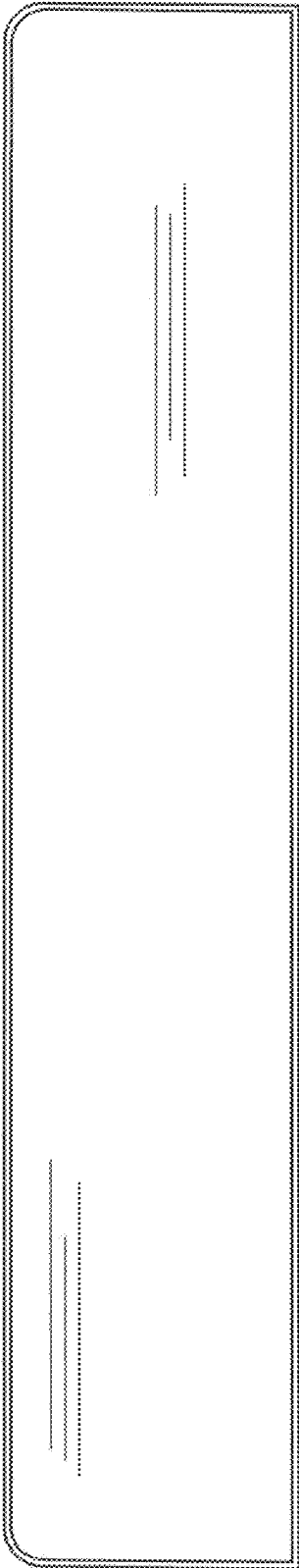


FIG.4

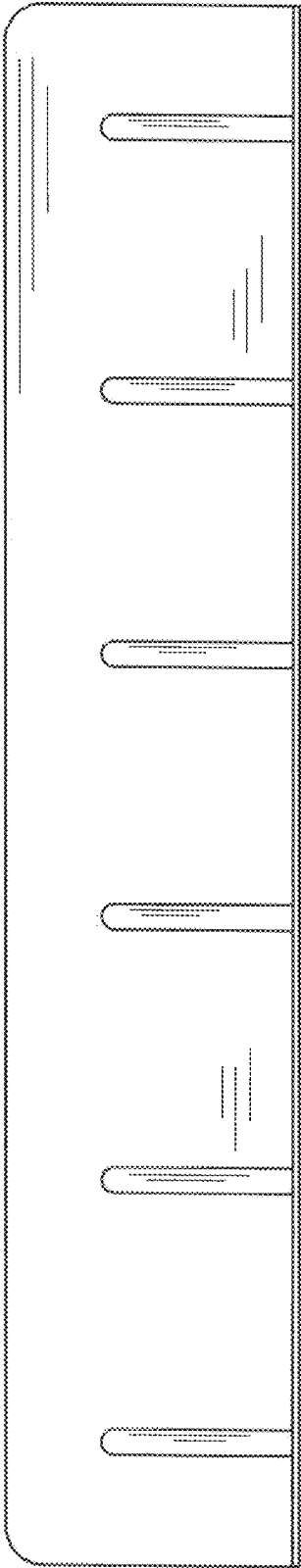


FIG.5

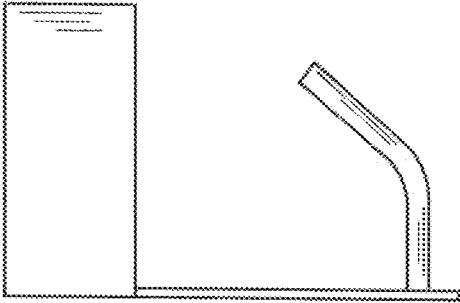


FIG.6

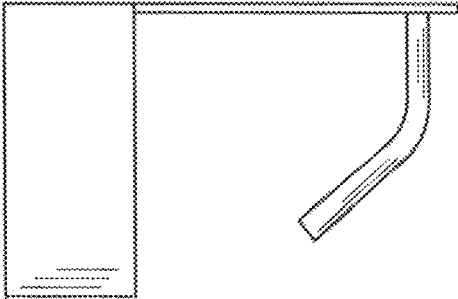


FIG. 7