



US00D764051S

(12) **United States Design Patent**
Wang

(10) **Patent No.:** **US D764,051 S**

(45) **Date of Patent:** **** Aug. 16, 2016**

- (54) **ORAL IRRIGATOR**
- (71) Applicant: **Zhiwei Wang**, Guangdong Province (CN)
- (72) Inventor: **Zhiwei Wang**, Guangdong Province (CN)
- (**) Term: **14 Years**
- (21) Appl. No.: **29/508,494**

D486,573 S *	2/2004	Callaghan	D24/111
D548,334 S *	8/2007	Izumi	D24/111
D565,175 S *	3/2008	Boyd	D24/111
7,670,141 B2 *	3/2010	Thomas	A61C 17/0202 433/100
D625,406 S *	10/2010	Seki	D24/111
8,408,483 B2 *	4/2013	Boyd	A61C 1/0084 239/124
D718,855 S *	12/2014	Kim	D24/111
D725,770 S *	3/2015	Kim	D24/111
D740,936 S *	10/2015	Kim	D24/111

* cited by examiner

- (22) Filed: **Nov. 6, 2014**
- (51) **LOC (10) Cl.** **24-02**
- (52) **U.S. Cl.**
USPC **D24/111**
- (58) **Field of Classification Search**
USPC D24/111, 108, 127-130, 110
CPC A61C 17/02; A61C 17/0202; A61C
17/0214; A61C 17/0205; A61C 17/28; A61C
17/36; A61C 17/00; A61C 1/0092
See application file for complete search history.

Primary Examiner — Charles Hanson

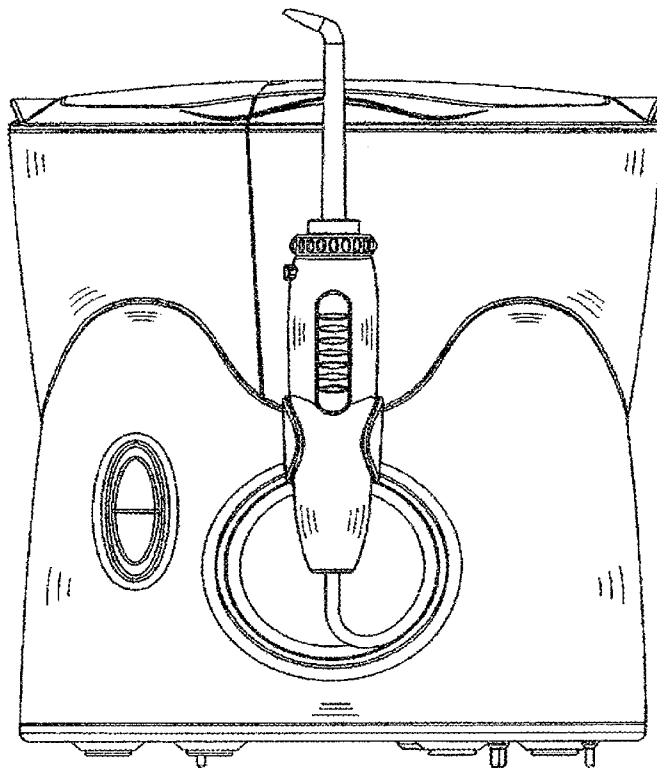
(57) **CLAIM**
The ornamental design for an oral irrigator, as shown and described.

- (56) **References Cited**
U.S. PATENT DOCUMENTS
D388,612 S * 1/1998 Stutzer D24/111
D388,613 S * 1/1998 Stutzer D24/111
D425,981 S * 5/2000 Bachman D24/111
D435,905 S * 1/2001 Bachman D24/111
D449,884 S * 10/2001 Tobin D24/111
D484,971 S * 1/2004 Hartwein D24/111

DESCRIPTION

FIG. 1 is a front elevational view of an oral irrigator showing my new design;
FIG. 2 is a rear elevational view thereof;
FIG. 3 is a left side view thereof;
FIG. 4 is a right side view thereof;
FIG. 5 is a top plan view thereof;
FIG. 6 is a bottom plan view thereof; and,
FIG. 7 is a perspective view thereof.
The broken lines shown form no part of the claimed design.

1 Claim, 7 Drawing Sheets



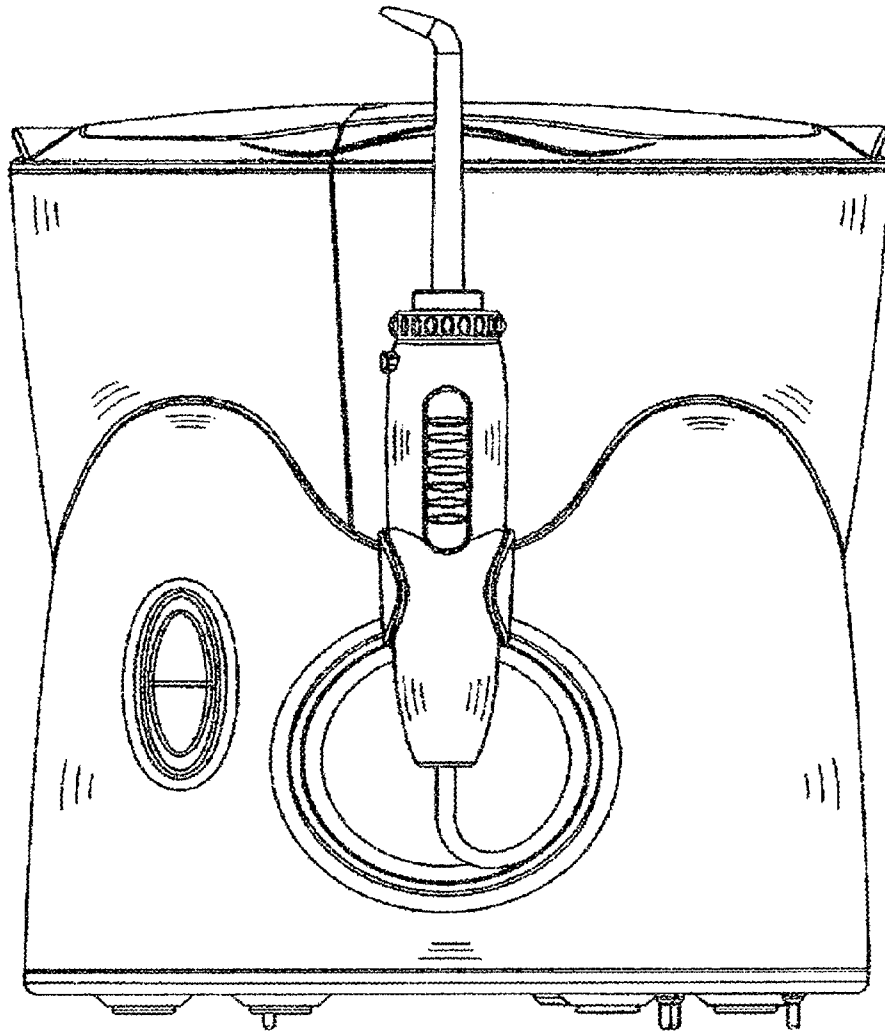


FIG. 1

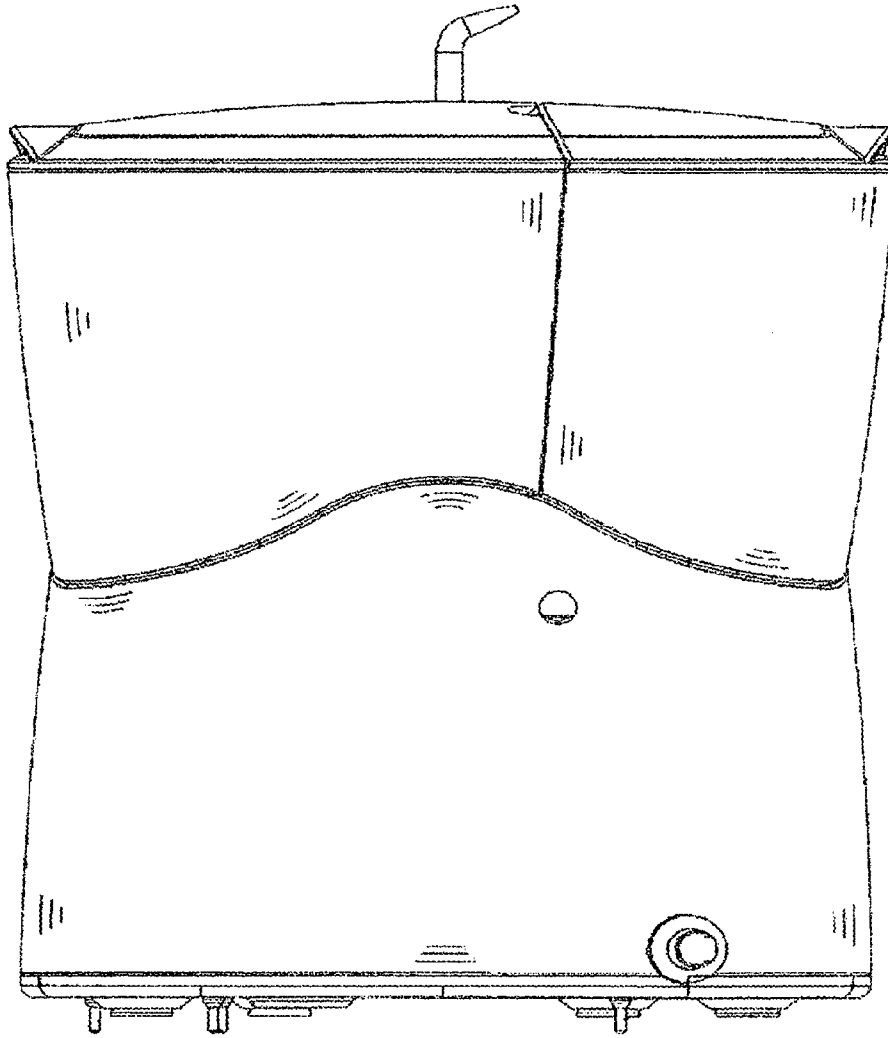


FIG. 2

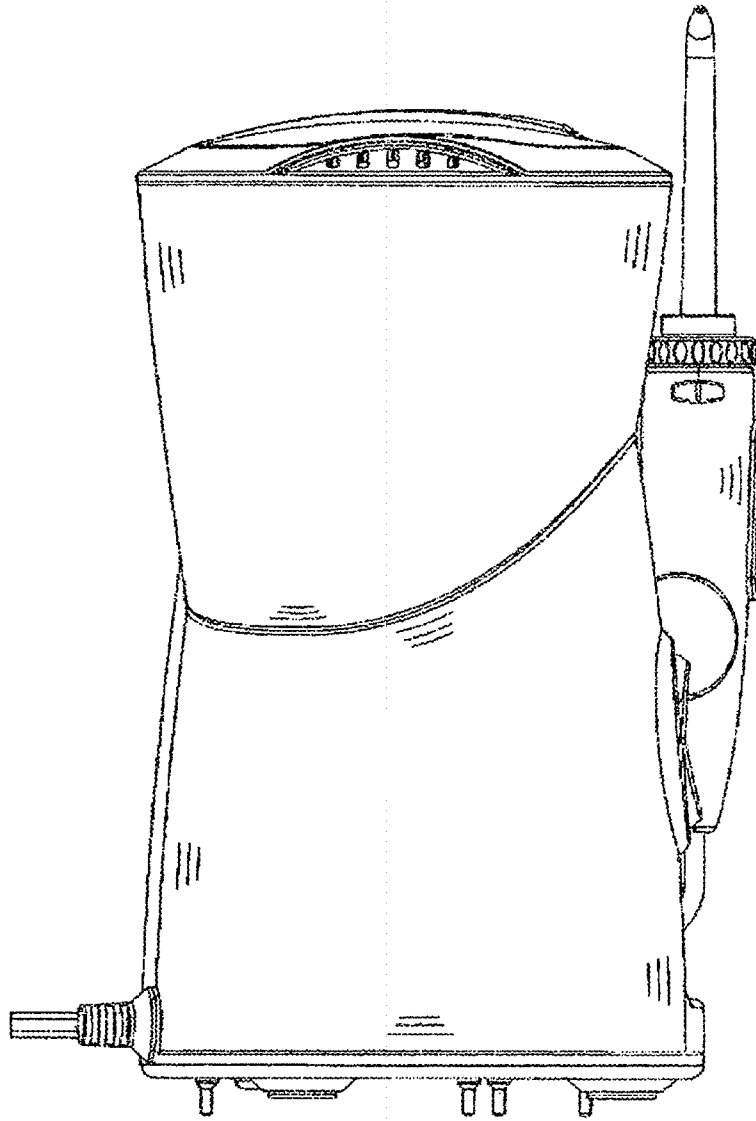


FIG. 3

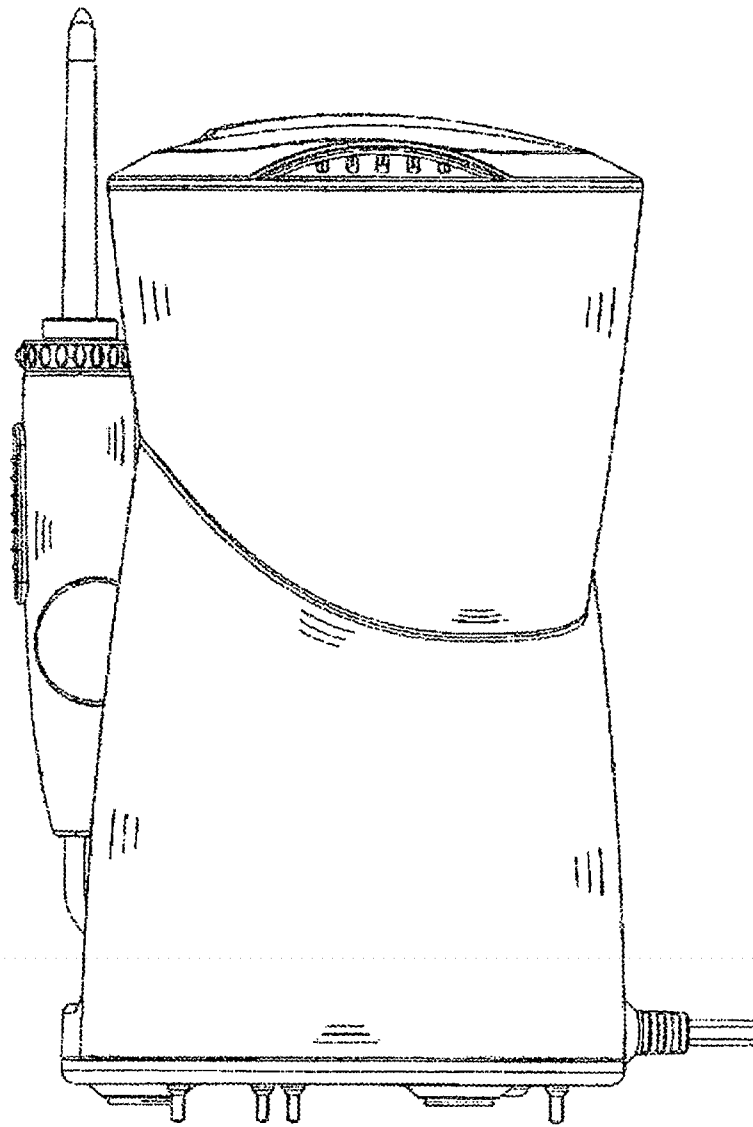


FIG. 4

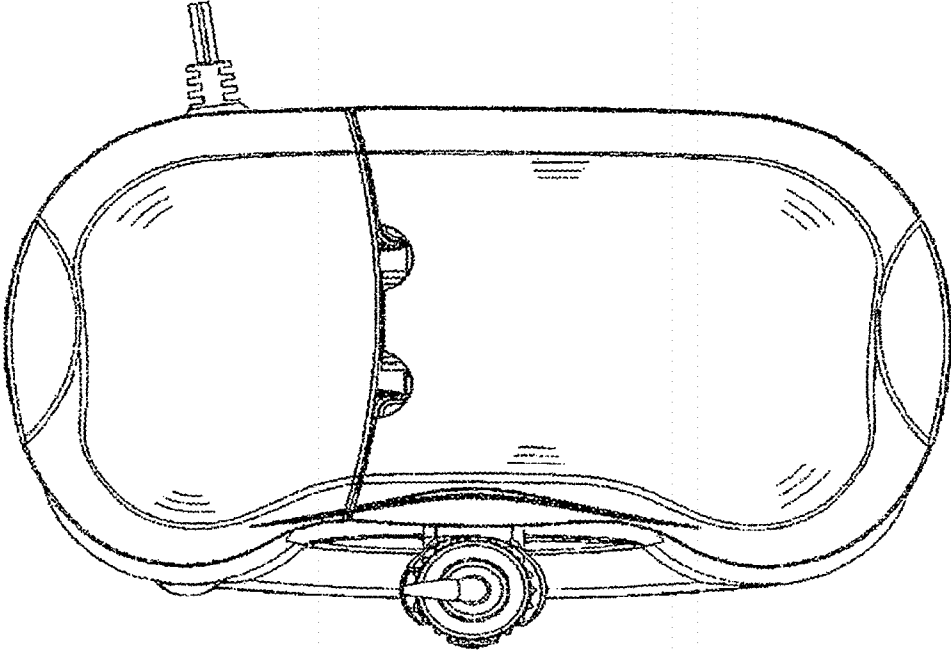


FIG. 5

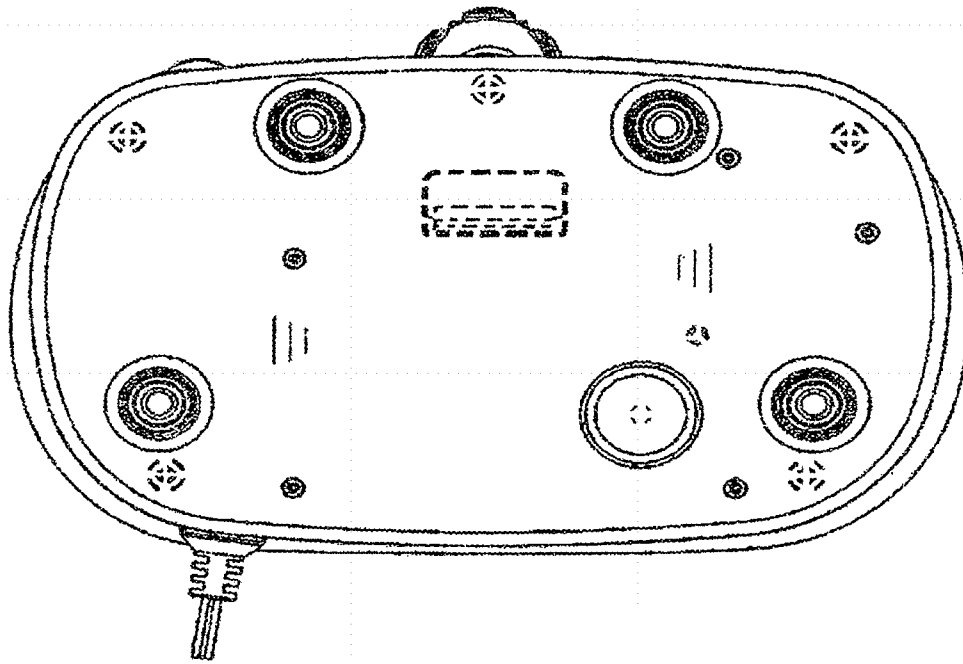


FIG. 6

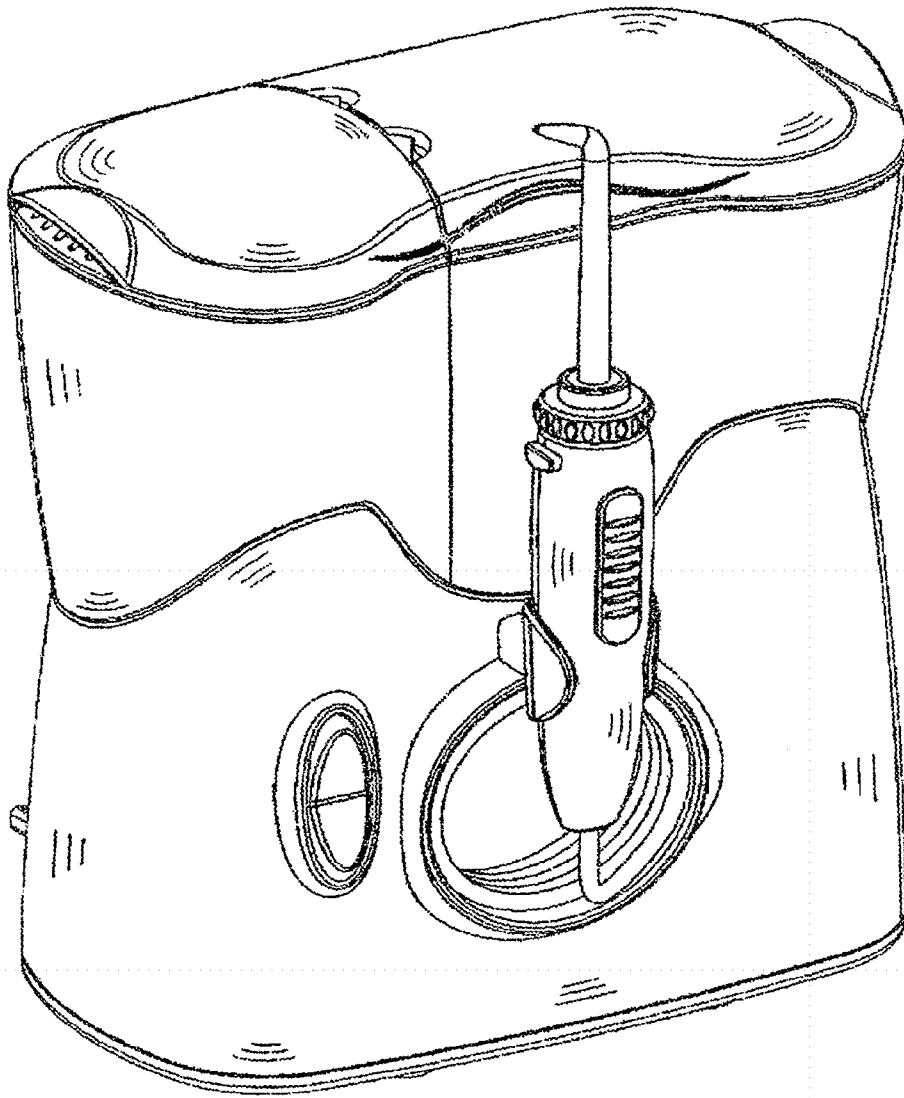


FIG. 7