



US00D432152S

**United States Patent** [19]  
**Watanabe**

[11] **Patent Number: Des. 432,152**

[45] **Date of Patent: \*\* Oct. 17, 2000**

[54] **CAMERA**

[75] Inventor: **Akira Watanabe**, Saitama, Japan

[73] Assignee: **Asahi Kogaku Kogyo Kabushiki Kaisha**, Tokyo, Japan

[\*\*] Term: **14 Years**

[21] Appl. No.: **29/117,176**

[22] Filed: **Jan. 20, 2000**

[30] **Foreign Application Priority Data**

Jul. 22, 1999 [JP] Japan ..... 11-19634

[51] **LOC (7) Cl.** ..... **16-01**

[52] **U.S. Cl.** ..... **D16/209**

[58] **Field of Search** ..... D16/200-205,  
D16/208, 209, 211, 212, 217, 218; 396/535-541

[56] **References Cited**

**U.S. PATENT DOCUMENTS**

D. 323,518 1/1992 Ko ..... D16/200  
D. 381,350 7/1997 Hamamura ..... D16/209

D. 412,004 7/1999 Hamamura ..... D16/209  
D. 412,517 8/1999 Hayamizu ..... D16/209  
D. 416,034 11/1999 Hayamizu ..... D16/209  
4,990,945 2/1991 Cho et al. .... 396/84

*Primary Examiner*—Adir Aronovich

*Attorney, Agent, or Firm*—Sughrue, Mion, Zinn, Macpeak & Seas, PLLC

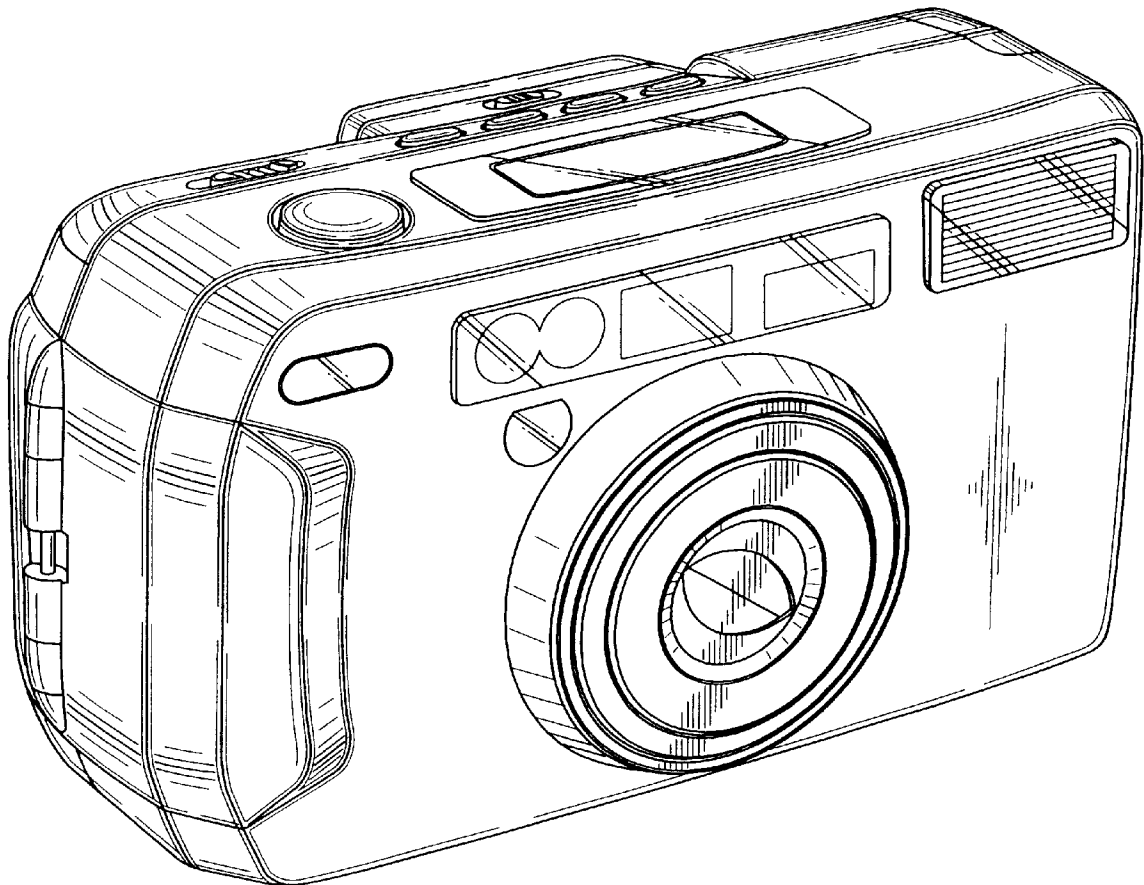
[57] **CLAIM**

The ornamental design for a camera, as shown and described.

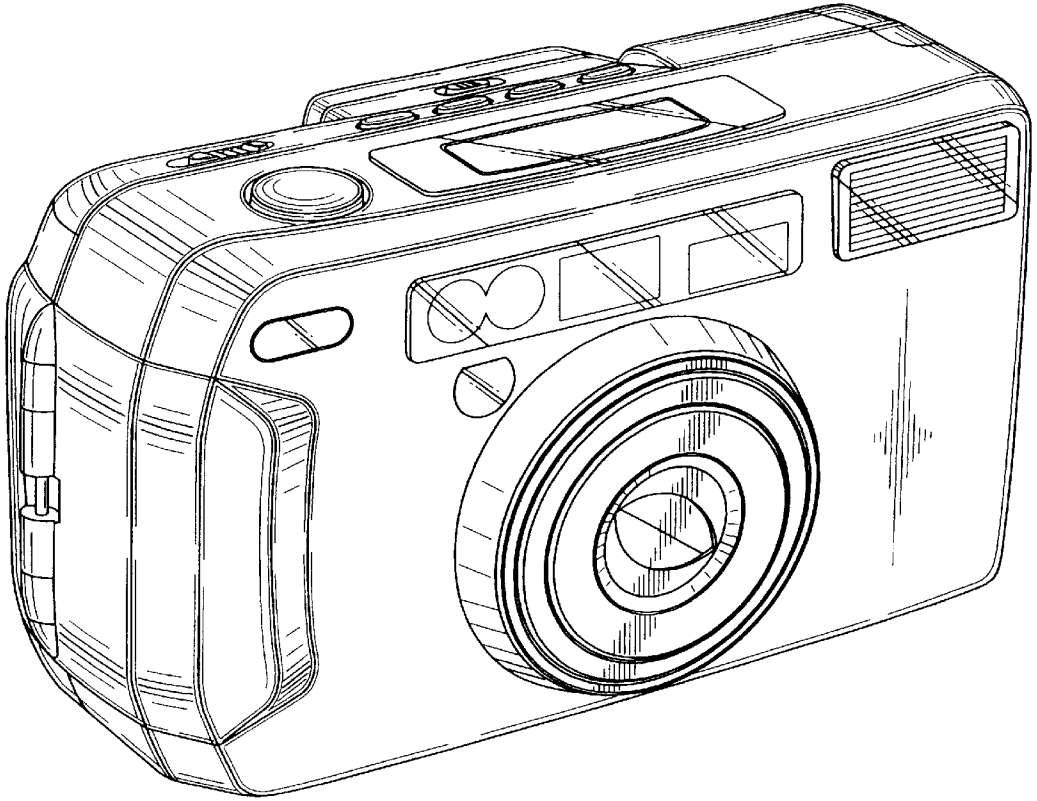
**DESCRIPTION**

FIG. 1 is a perspective view of the top, front and left side of a camera showing my new design;  
FIG. 2 is a front elevational view thereof;  
FIG. 3 is a top plan view thereof;  
FIG. 4 is a left side elevational view thereof;  
FIG. 5 is a right side elevational view thereof;  
FIG. 6 is a rear elevational view thereof;  
FIG. 7 is a bottom plan view thereof; and,  
FIG. 8 is a view similar to FIG. 1 with the lens in the extended position.

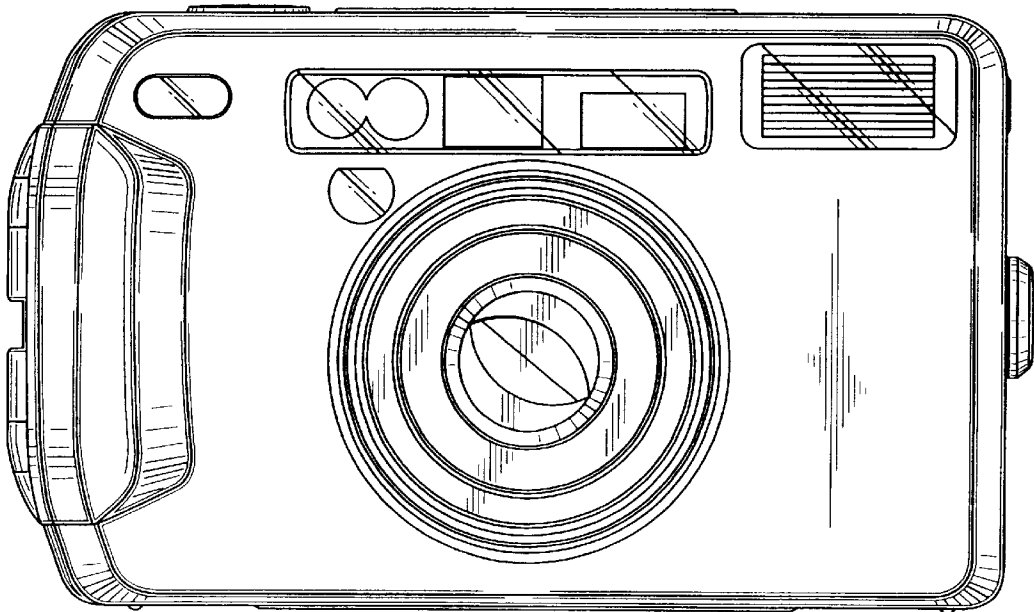
**1 Claim, 4 Drawing Sheets**



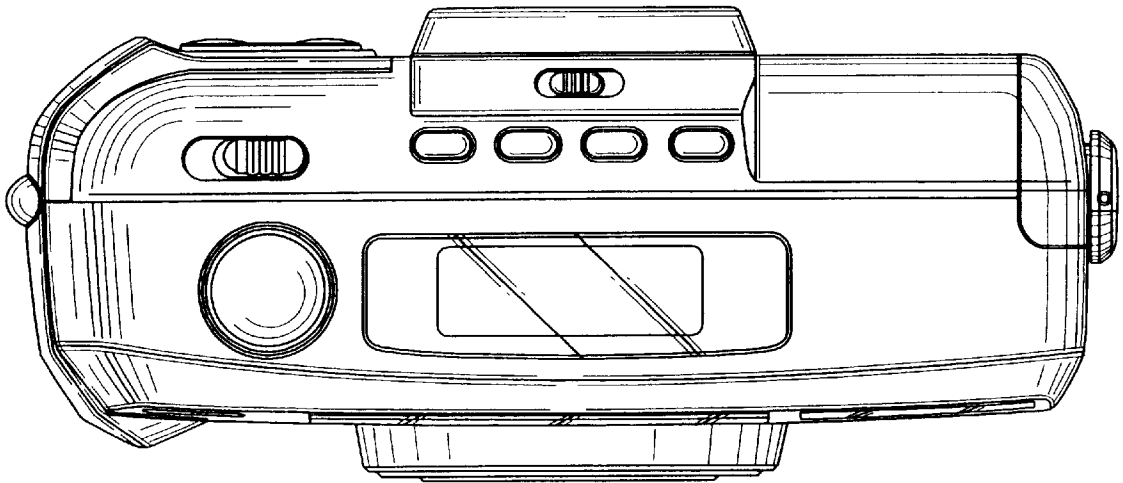
*FIG. 1*



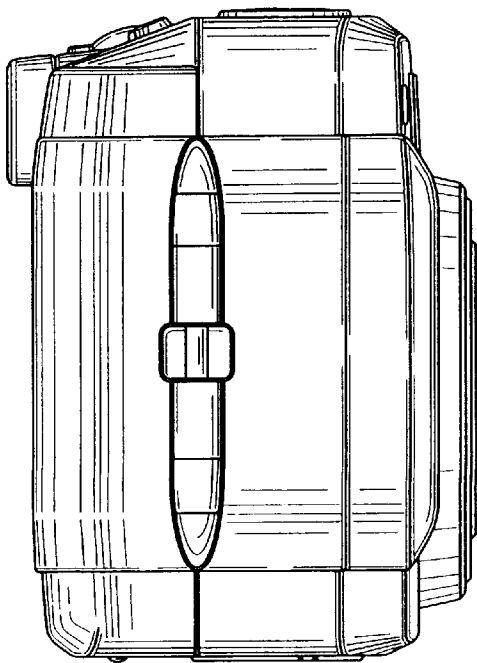
*FIG. 2*



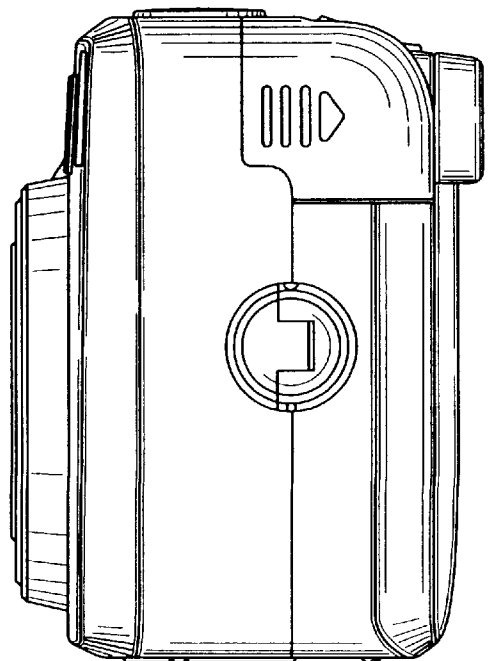
*FIG. 3*



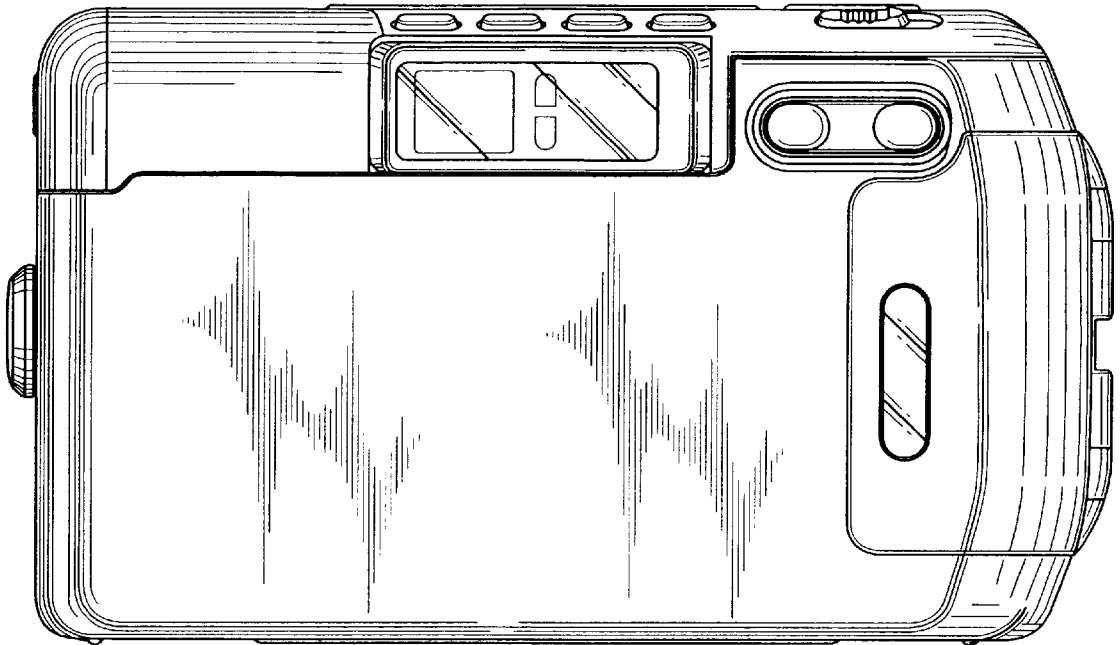
*FIG. 4*



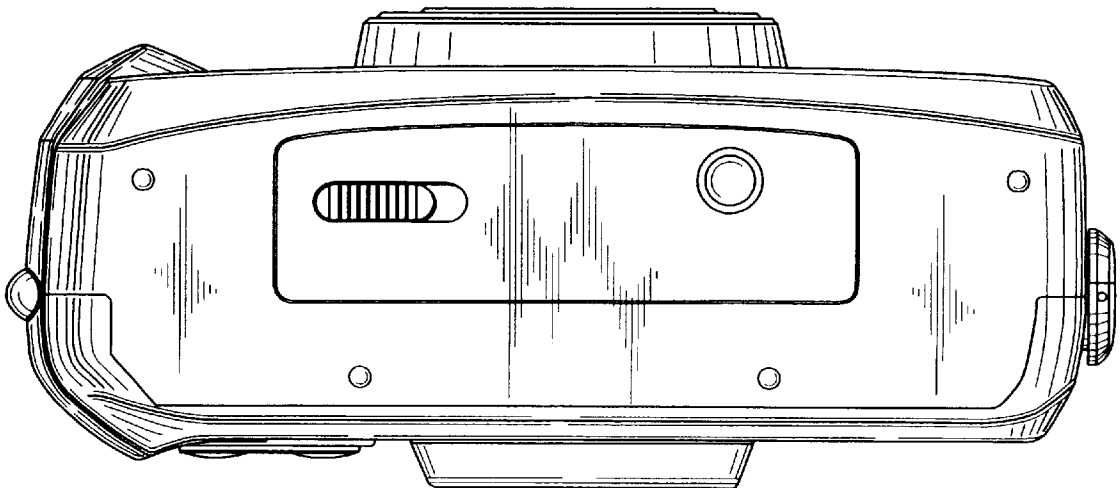
*FIG. 5*



*FIG. 6*



*FIG. 7*



*FIG. 8*

